

US00D764089S

(12) **United States Design Patent**  
**Gelman**

(10) **Patent No.:** **US D764,089 S**

(45) **Date of Patent:** **\*\* Aug. 16, 2016**

(54) **MULTI-HEAD FLOOR LAMP**

(71) Applicant: **Evolution Lighting, LLC**, Miami  
Lakes, FL (US)

(72) Inventor: **Alexis Gelman**, Fort Mill, SC (US)

(73) Assignee: **Evolution Lighting, LLC**, Miami  
Lakes, FL (US)

(\*\*) Term: **14 Years**

(21) Appl. No.: **29/525,070**

(22) Filed: **Apr. 27, 2015**

(51) **LOC (10) Cl.** ..... **26-03**

(52) **U.S. Cl.**  
USPC ..... **D26/62**

(58) **Field of Classification Search**  
USPC ..... D26/24, 61, 63, 65, 93, 62  
CPC ..... F21S 6/00; F21S 6/002; F21S 6/004;  
F21S 6/005; F21S 6/008; F21S 8/08; F21V  
21/02; F21V 21/14; F21W 2131/30  
See application file for complete search history.

(56) **References Cited**

**U.S. PATENT DOCUMENTS**

D370,286 S \* 5/1996 Swanson ..... D26/102

D420,758 S \* 2/2000 Yang ..... D26/106  
D426,009 S \* 5/2000 Swanson ..... D26/65  
D437,444 S \* 2/2001 Swanson ..... D26/65  
D443,092 S \* 5/2001 Lo ..... D26/65  
D737,496 S \* 8/2015 Swanson ..... D26/65

\* cited by examiner

*Primary Examiner* — Brian N Vinson

(74) *Attorney, Agent, or Firm* — Greenberg Traurig, LLP

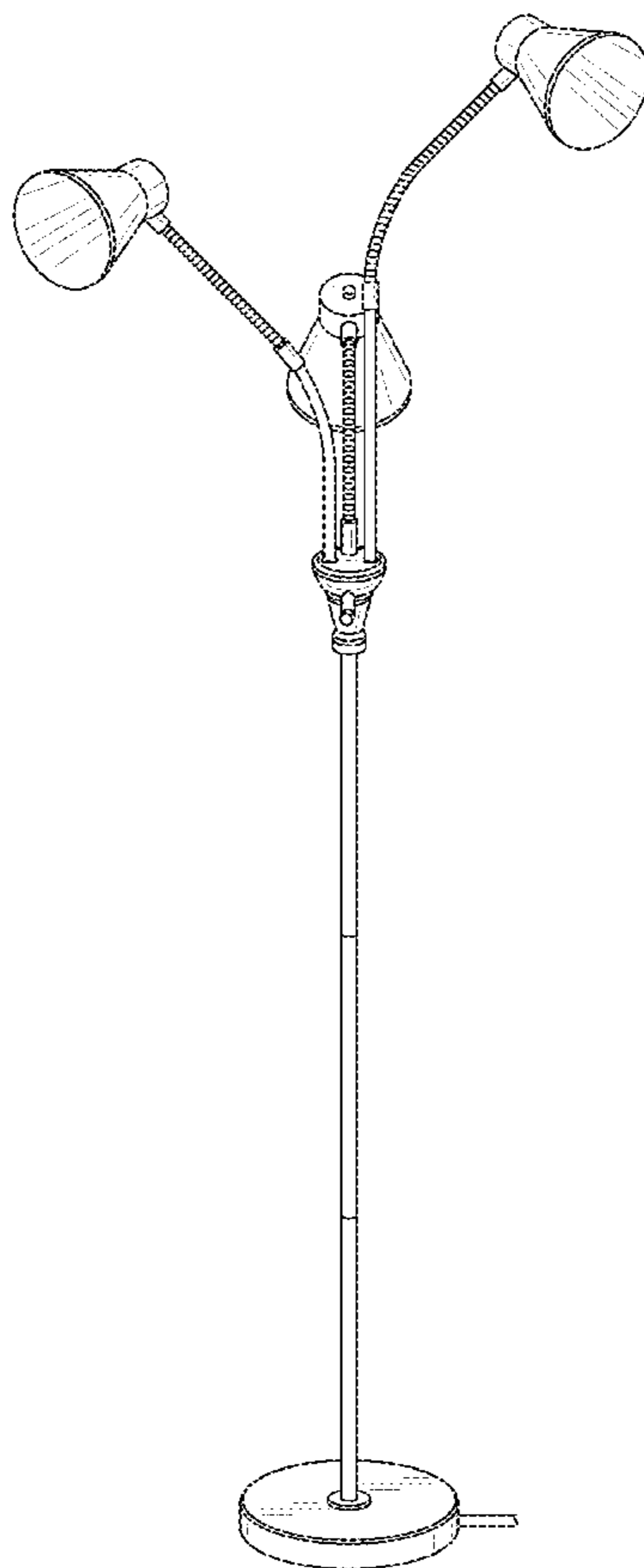
(57) **CLAIM**

The ornamental design for a multi-head floor lamp, as shown and described.

**DESCRIPTION**

FIG. 1 is a front, top perspective view of the present design; FIG. 2 is a front elevation view of the present design. FIG. 3 is a rear elevation view of the present design; FIG. 4 is a left side elevation view of the present design; FIG. 5 is a right side elevation view of the present design; FIG. 6 is a top view of the present design; and, FIG. 7 is a bottom view of the present design.

**1 Claim, 7 Drawing Sheets**



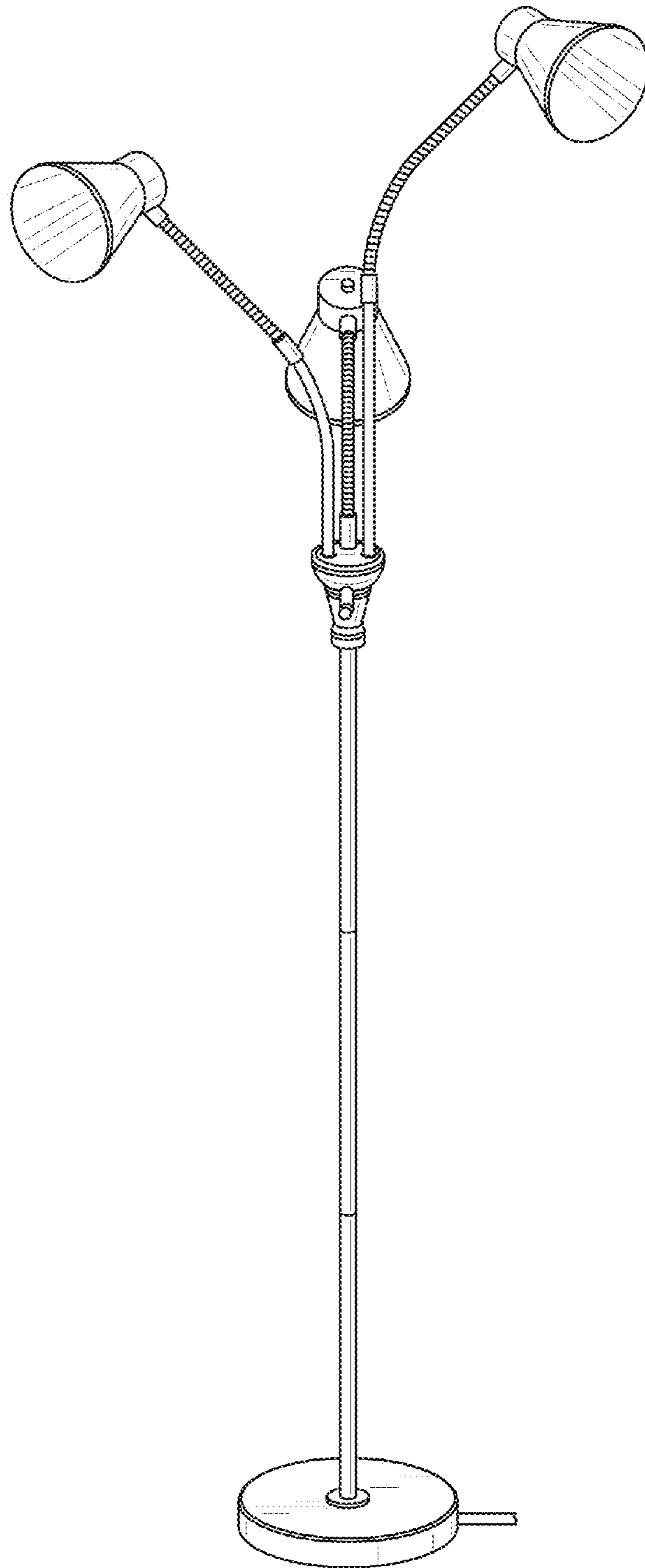


FIG. 1

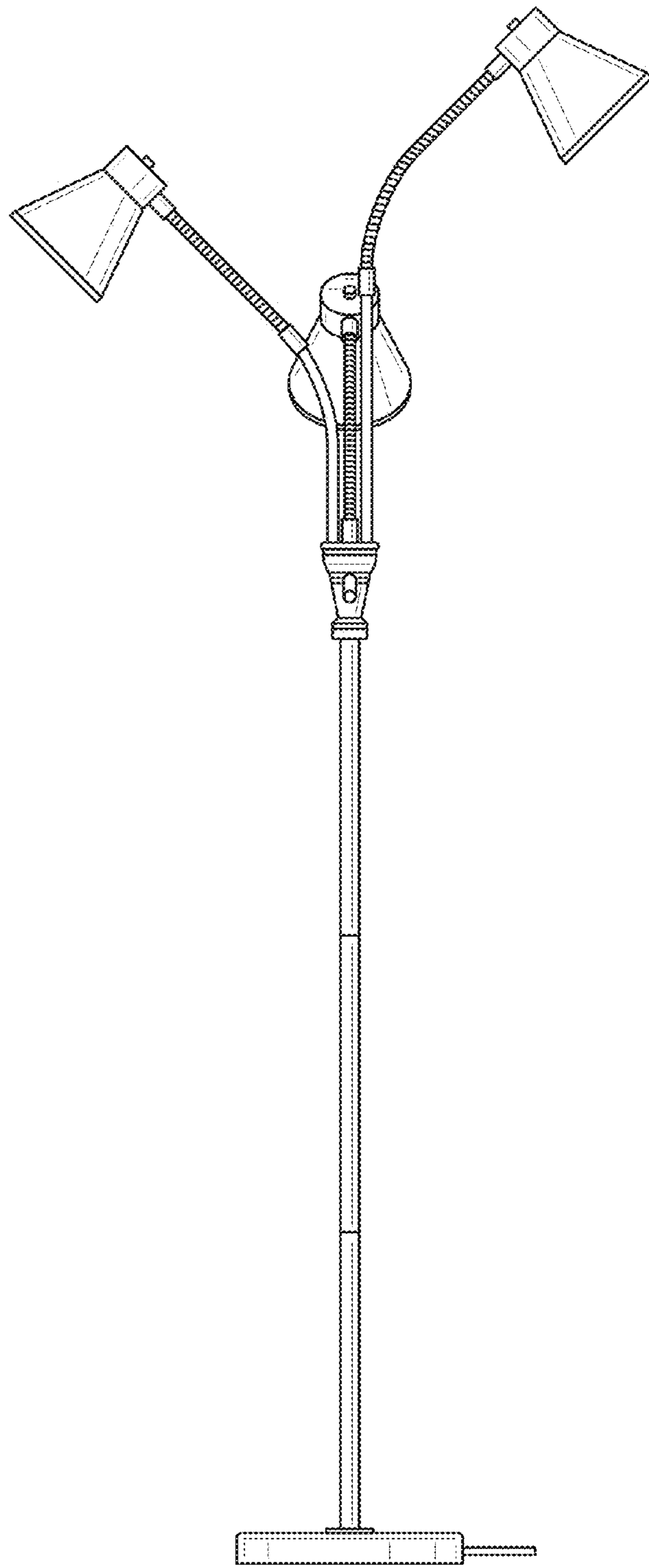


FIG. 2

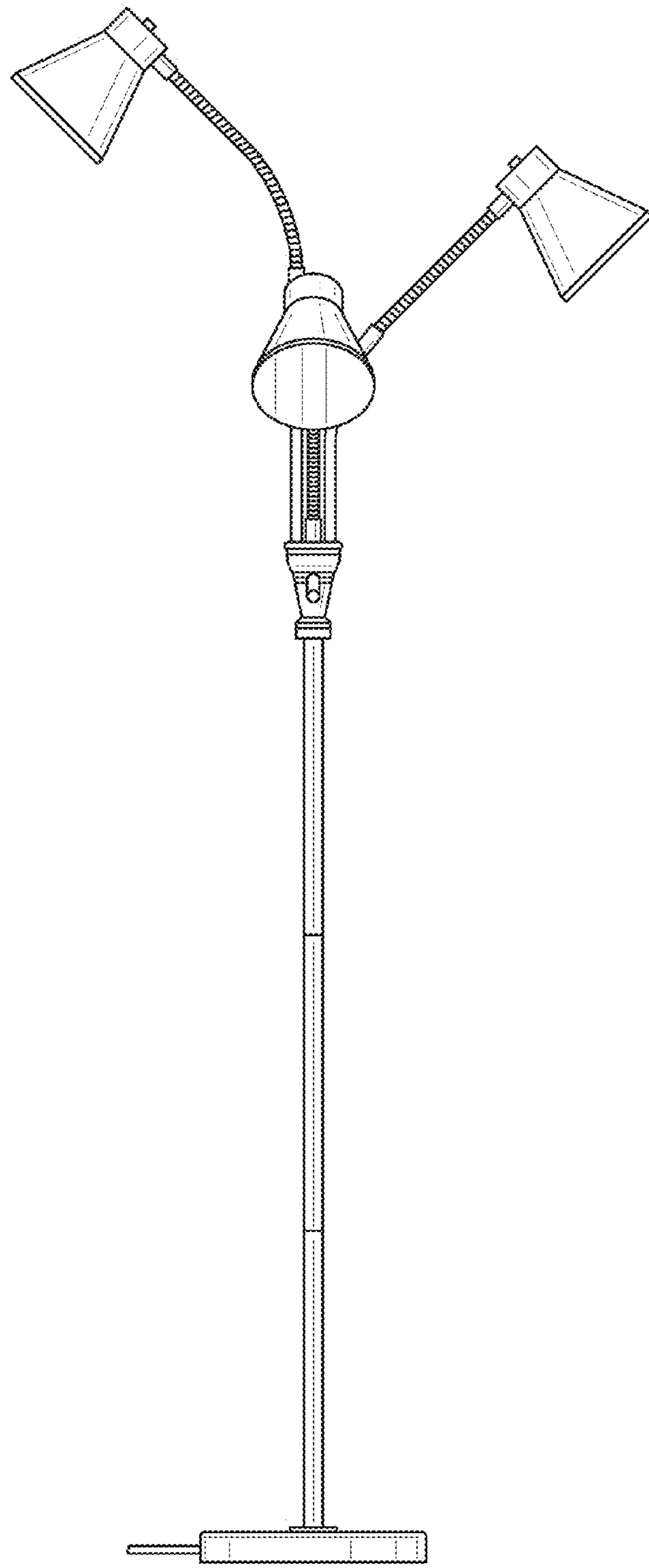


FIG. 3

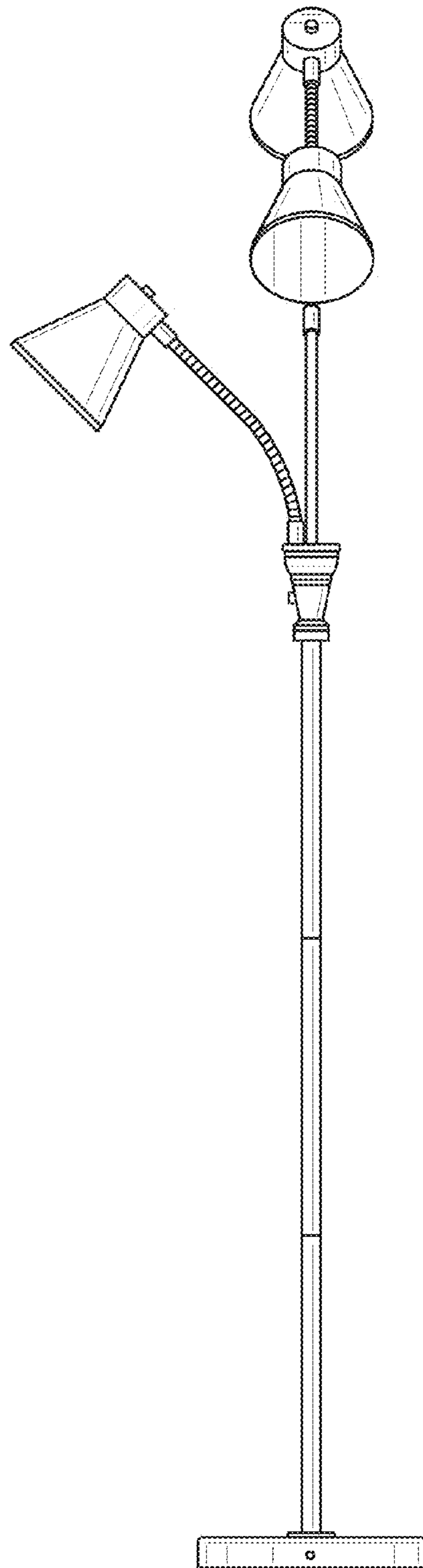


FIG. 4

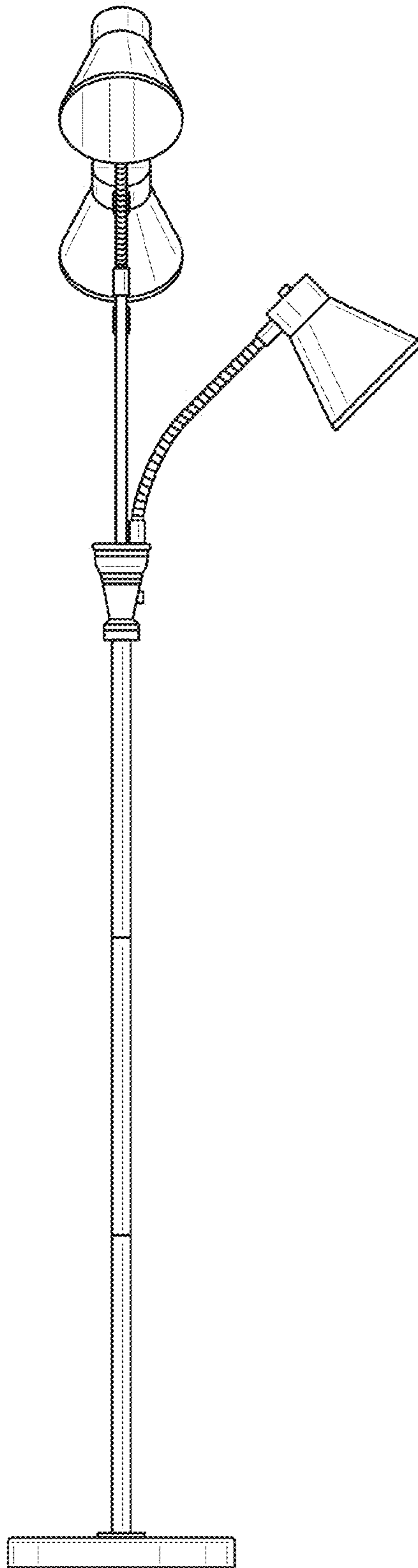


FIG. 5

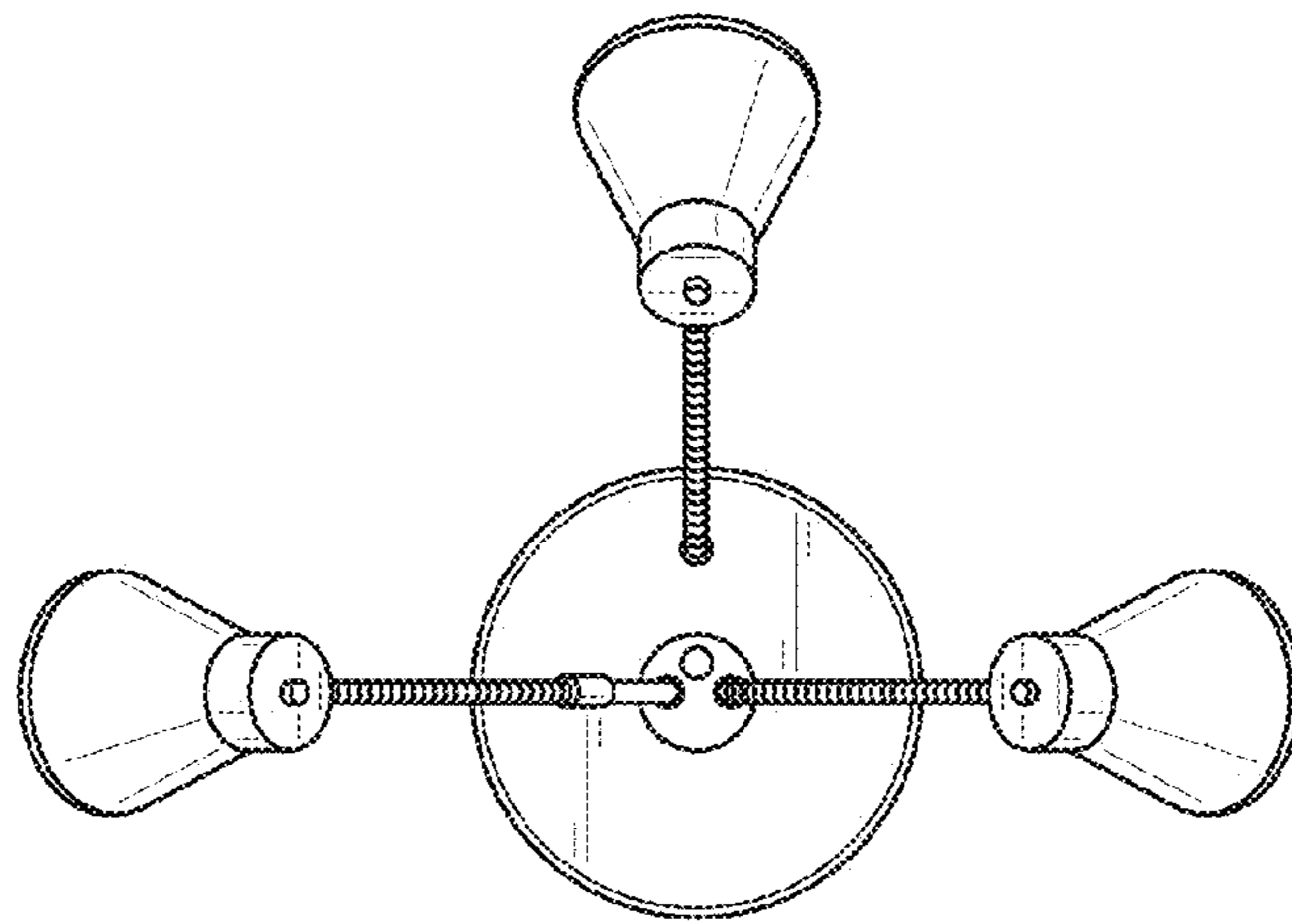


FIG. 6

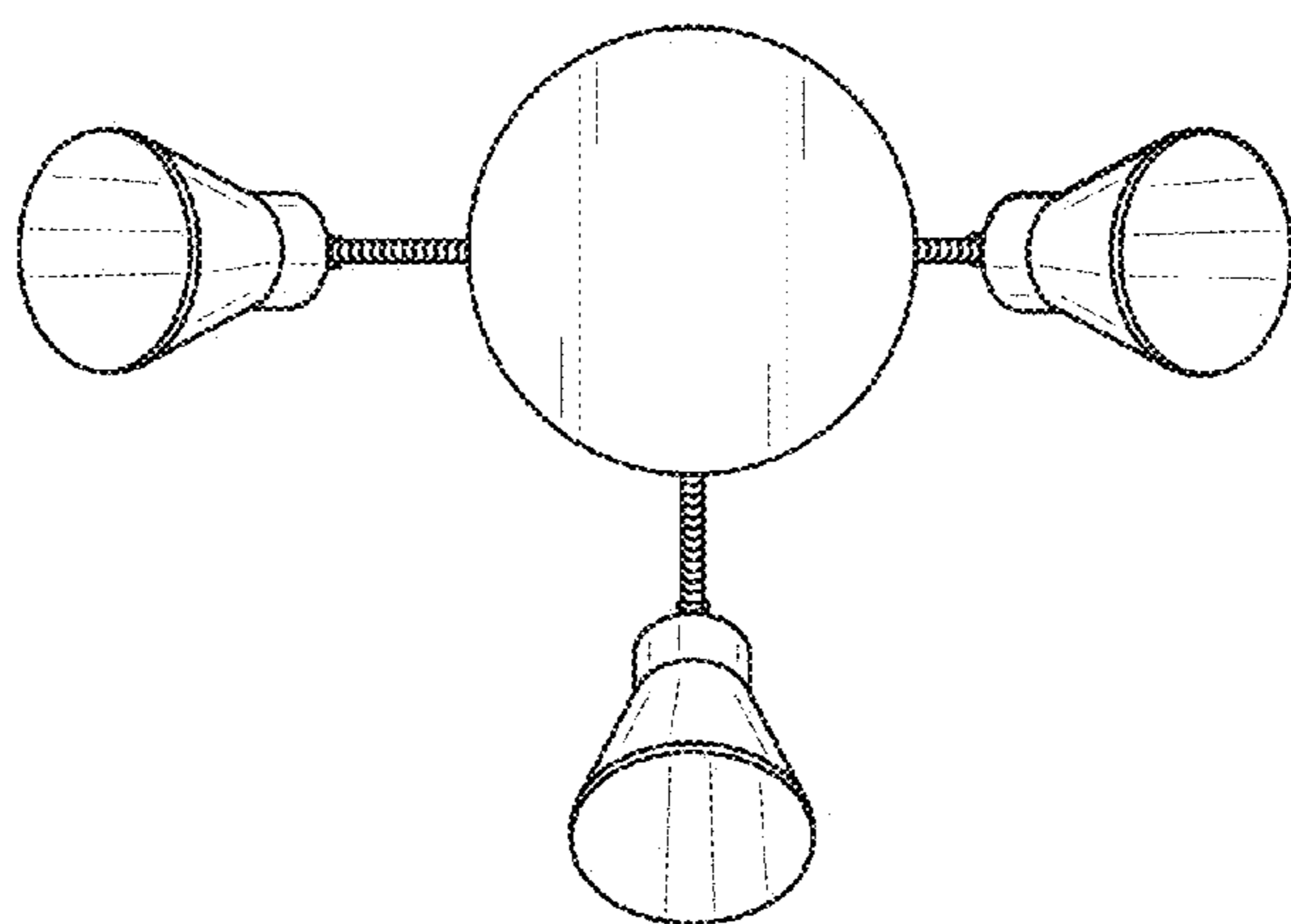


FIG. 7