



US00D764088S

(12) **United States Design Patent**
Salmon

(10) **Patent No.:** **US D764,088 S**

(45) **Date of Patent:** **** Aug. 16, 2016**

(54) **HEADLIGHT**

(71) Applicant: **FLYING DRAGON DEVELOPMENT LIMITED**, New Territories (HK)

(72) Inventor: **Daniel Graham Salmon**, New Territories (HK)

(73) Assignee: **FLYING DRAGON DEVELOPMENT LIMITED**, New Territories (HK)

(**) Term: **14 Years**

(21) Appl. No.: **29/465,258**

(22) Filed: **Aug. 26, 2013**

(51) **LOC (10) Cl.** **26-02**

(52) **U.S. Cl.**
USPC **D26/39; D26/29**

(58) **Field of Classification Search**
USPC D26/37, 38, 39, 40, 41, 42, 49, 51, 60,
D26/29, 113; 362/157, 158, 183, 184,
362/194–196, 200–208, 253, 473, 475, 474,
362/486
CPC F21V 33/00; F21V 14/025; F21V 21/406;
F21Y 2101/02; F21L 17/00; F21L 13/08
See application file for complete search history.

(56) **References Cited**

U.S. PATENT DOCUMENTS

D301,753 S *	6/1989	Iacovelli	D26/60
D524,974 S *	7/2006	Zernov	D26/60
D546,989 S *	7/2007	Chun	D26/37
D570,023 S *	5/2008	Lee	D26/60
D580,573 S *	11/2008	Leslie et al.	D26/37
D613,439 S *	4/2010	Lee	D26/60

D642,714 S *	8/2011	Chuah	D26/60
D656,644 S *	3/2012	Lee	D26/39
D666,343 S *	8/2012	Lee	D26/39
D685,510 S *	7/2013	Henry et al.	D26/60
D713,076 S *	9/2014	Von Waldthausen	D26/37
D733,949 S *	7/2015	Liao et al.	D26/28

* cited by examiner

Primary Examiner — Ian Simmons

Assistant Examiner — Carissa C Fitts

(74) *Attorney, Agent, or Firm* — Rabin & Berdo, P.C.

(57) **CLAIM**

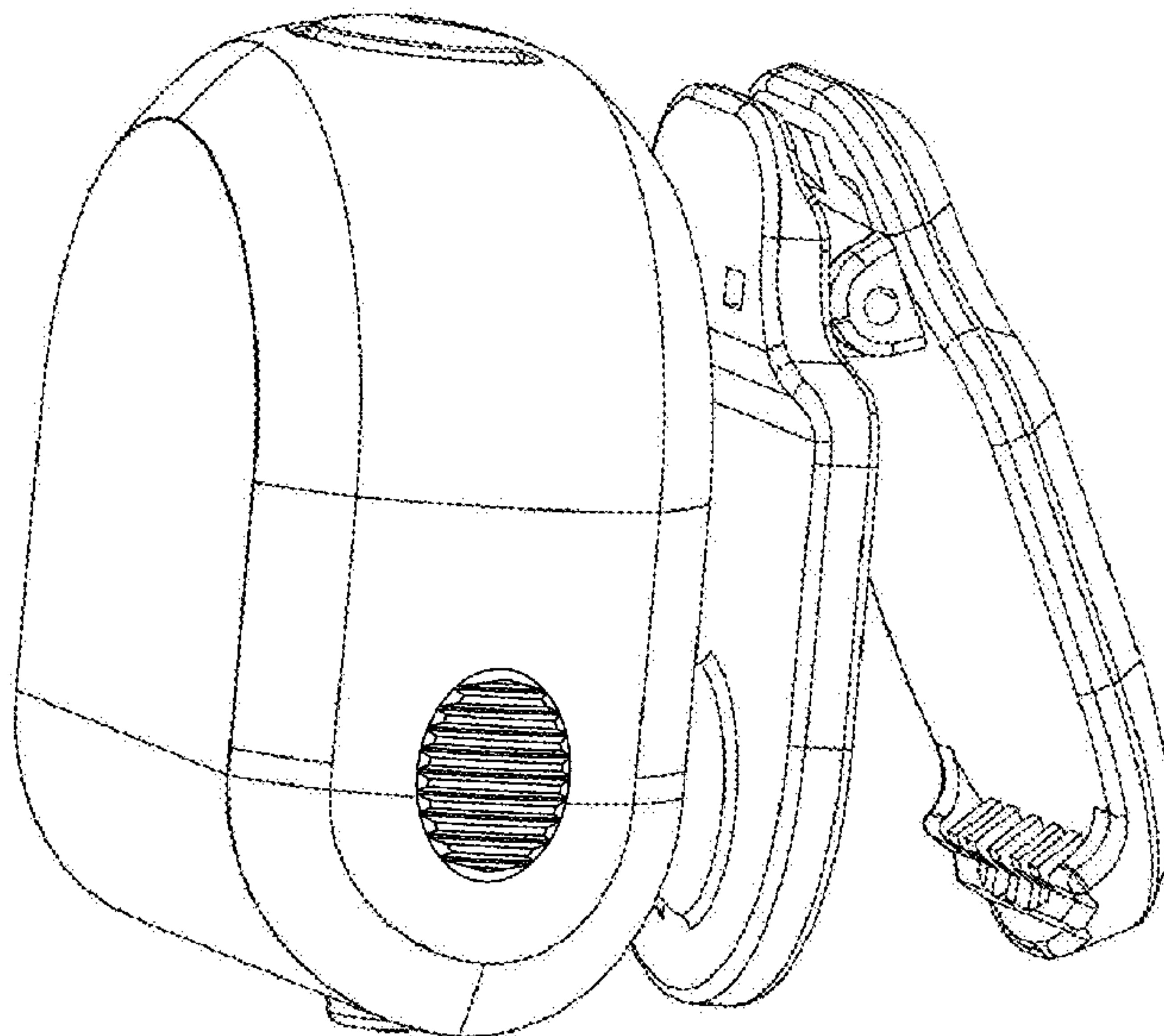
The ornamental design for a headlight, as shown and described.

DESCRIPTION

FIG. 1 is a front view of a headlight showing my new design; FIG. 2 is a rear view thereof; FIG. 3 is a left side view thereof; FIG. 4 is a right side view thereof; FIG. 5 is a top plan view thereof; FIG. 6 is a bottom plan view thereof; FIG. 7 is a perspective view thereof; FIG. 8 is another perspective view thereof; FIG. 9 is another perspective view thereof; FIG. 10 is another right side view thereof, shown in an alternate position; FIG. 11 is another right side view thereof, shown in an alternate position; FIG. 12 is another front view thereof, shown in an alternate position; and, FIG. 13 is another front view thereof, shown in an alternate position.

The broken lines showing represent portions of the article not claimed and form no part of the claimed design.

1 Claim, 13 Drawing Sheets



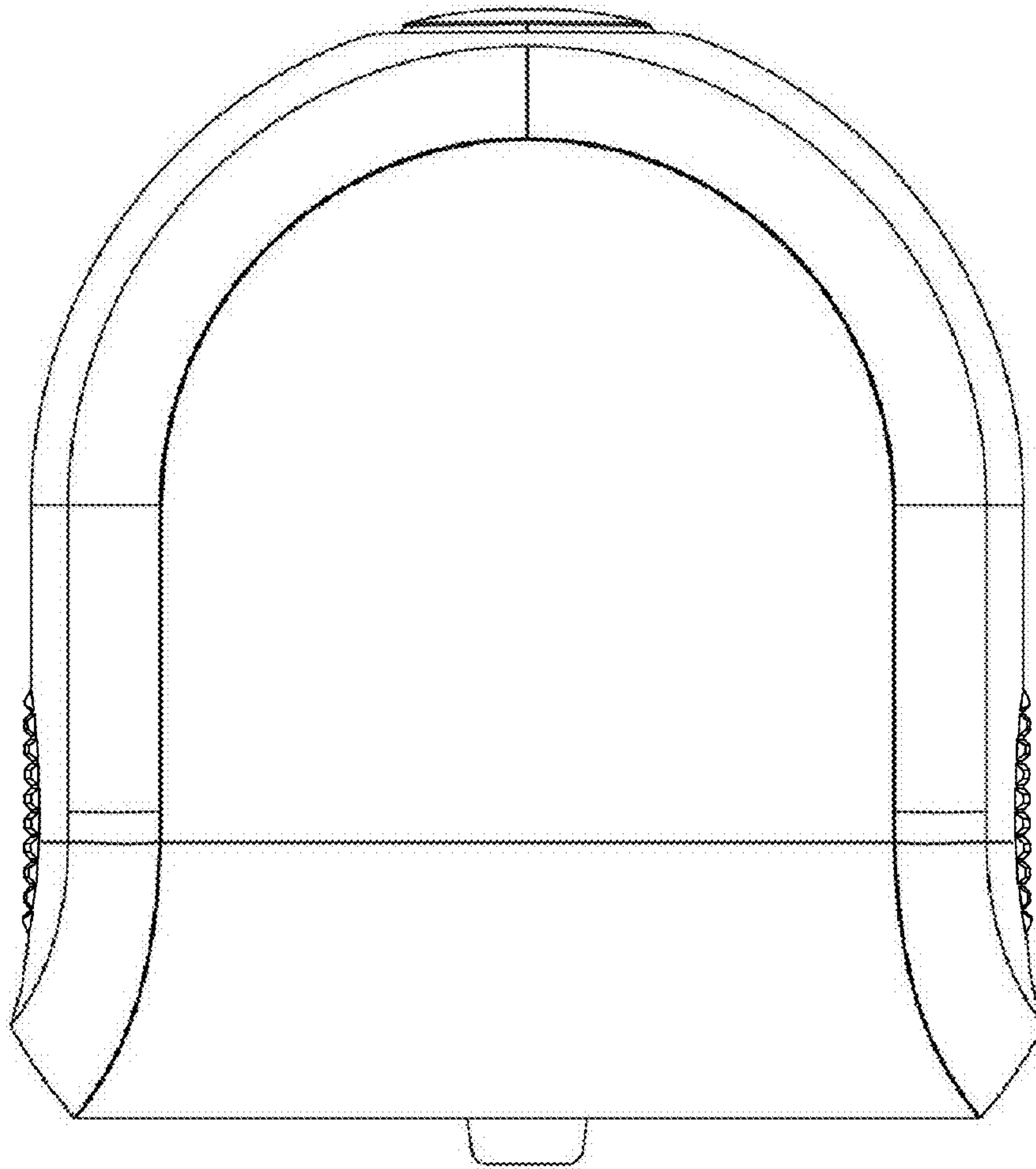


FIG. 1

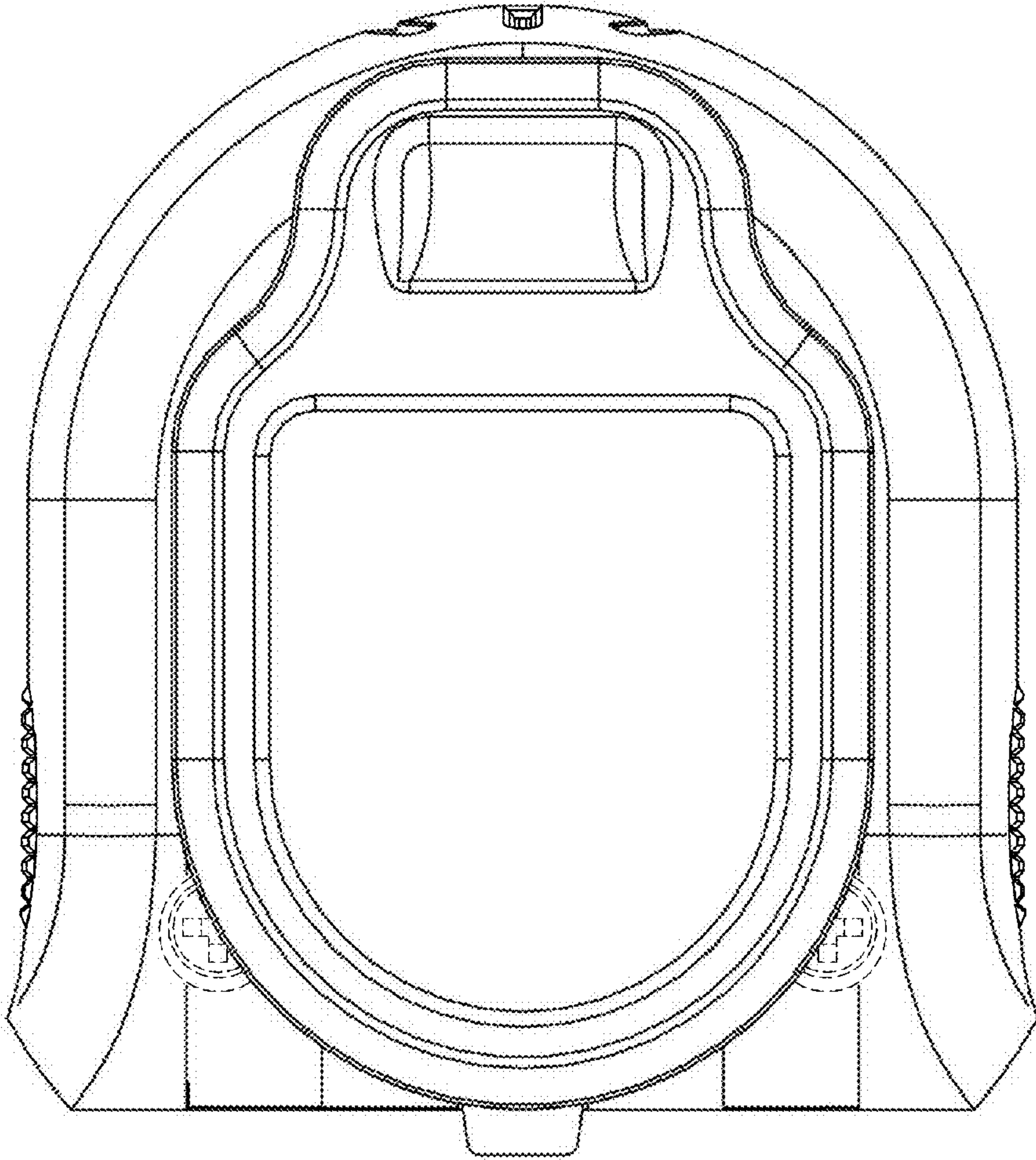


FIG. 2

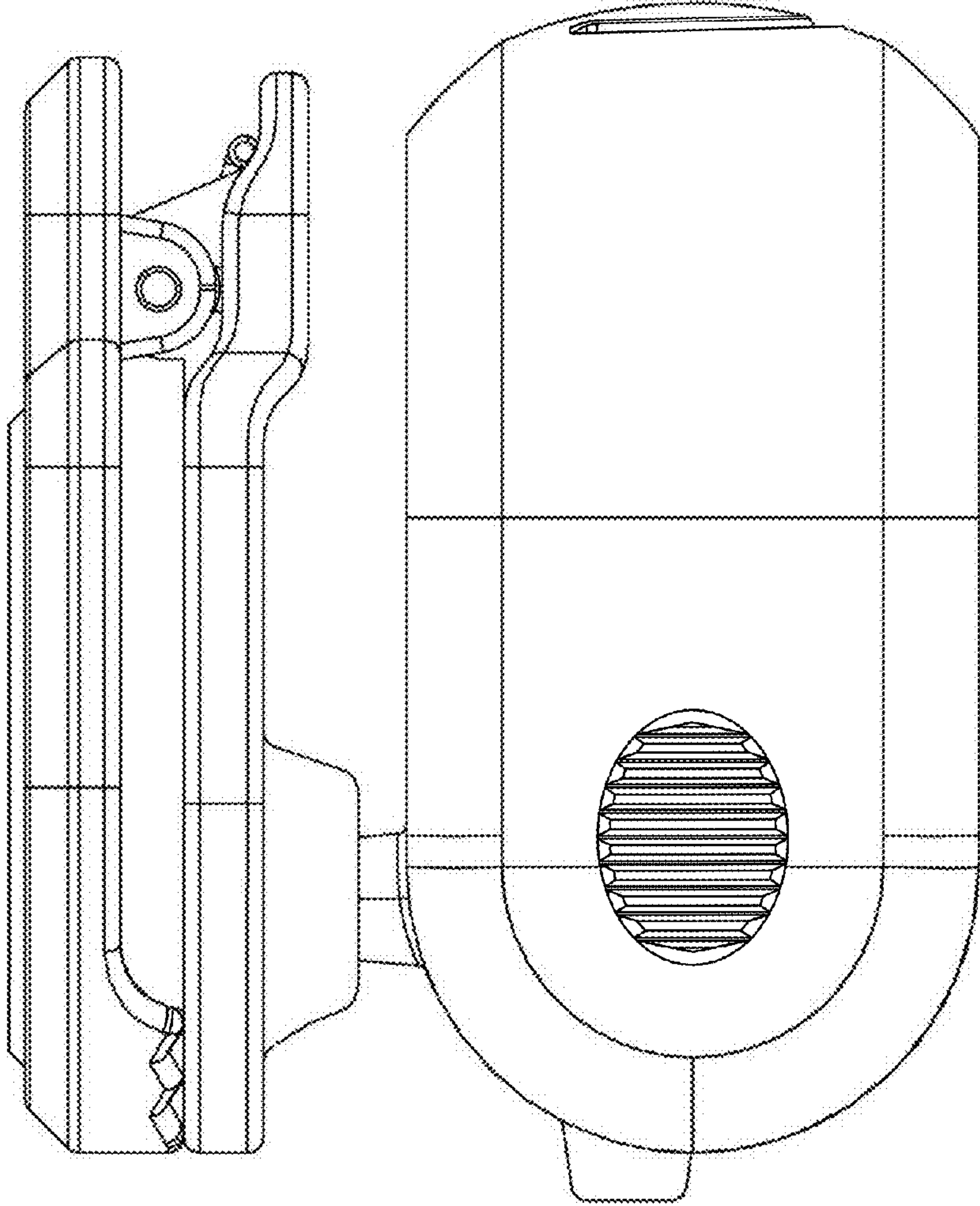


FIG. 3

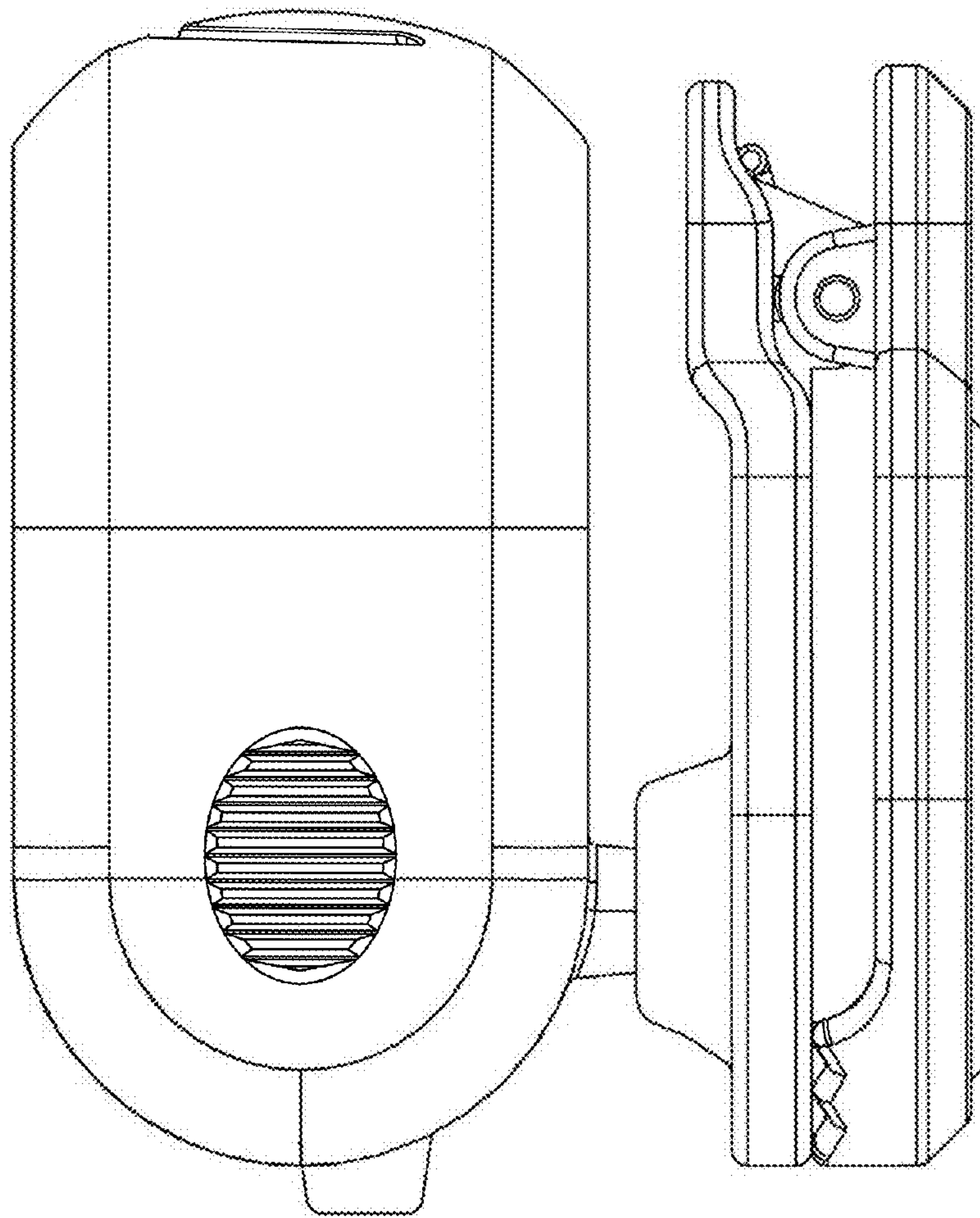


FIG. 4

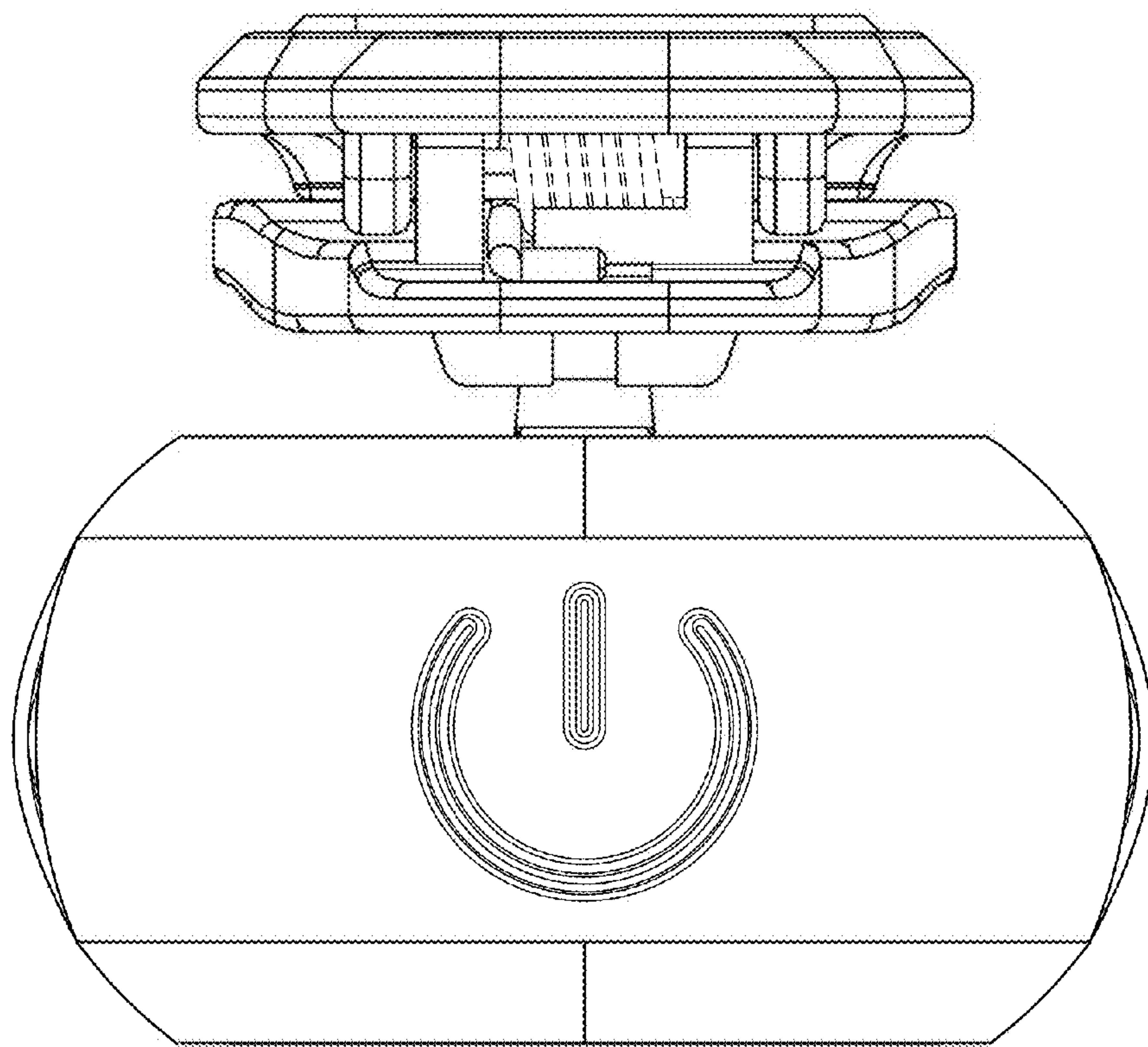


FIG. 5

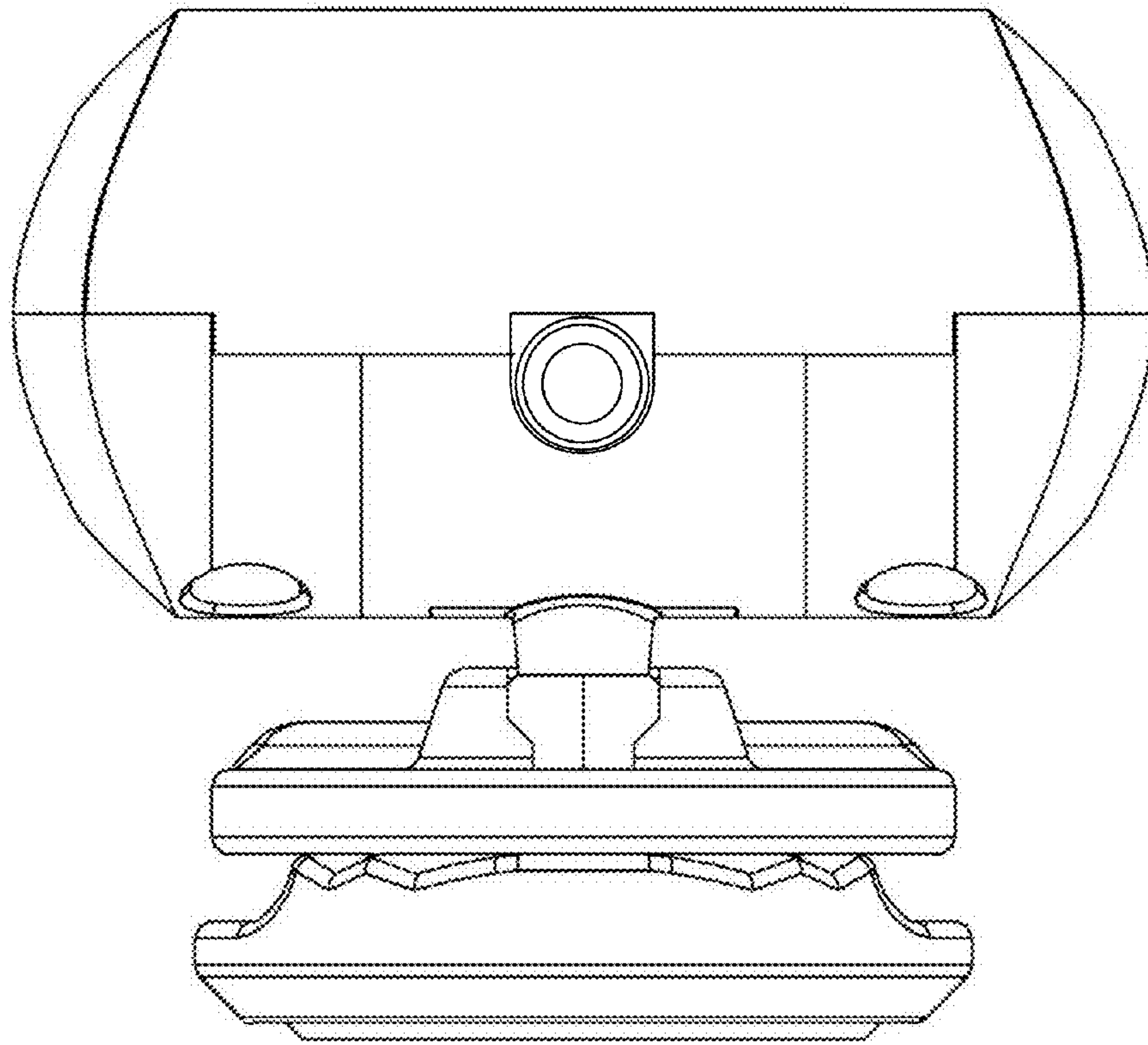


FIG. 6

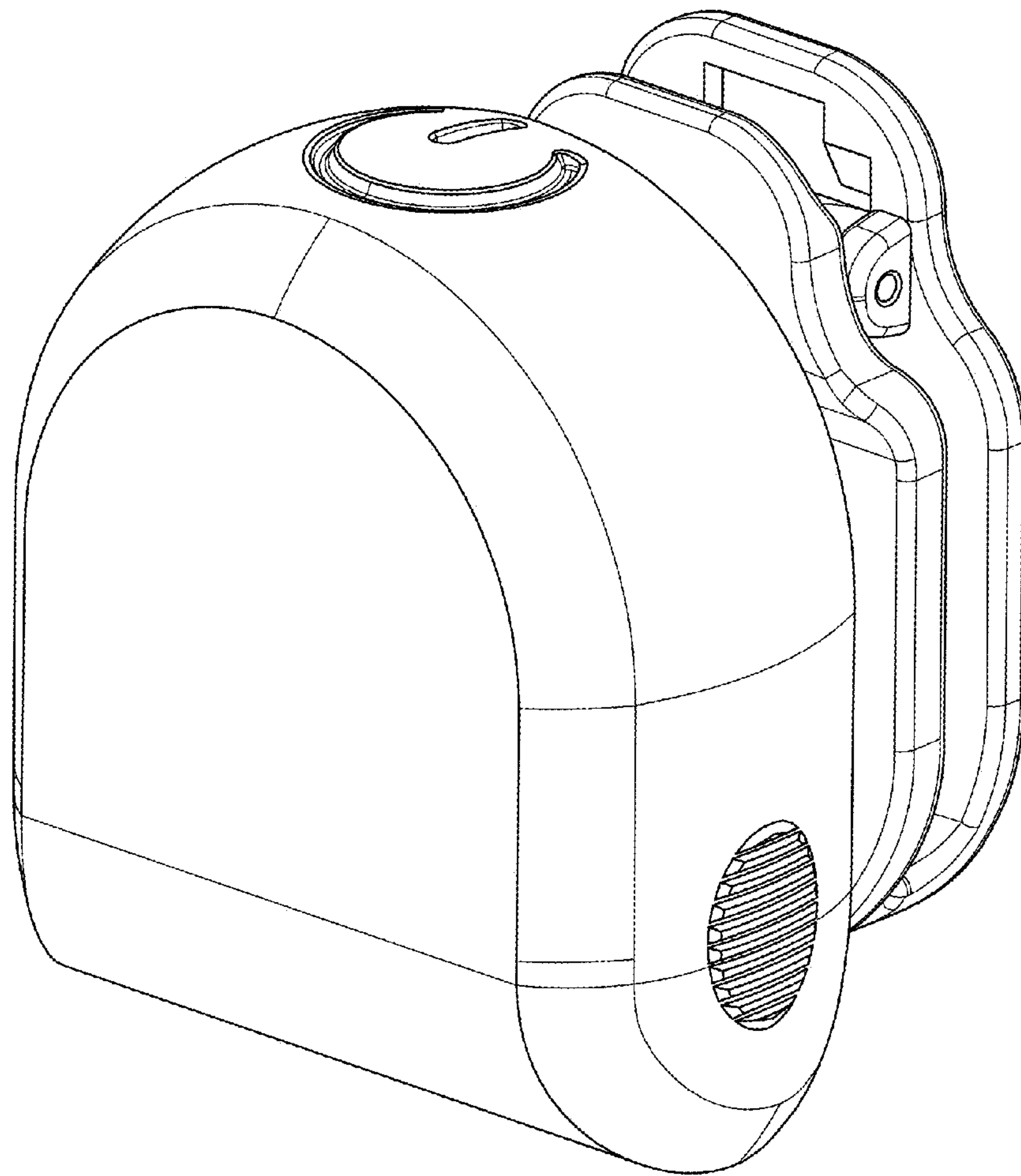


FIG. 7

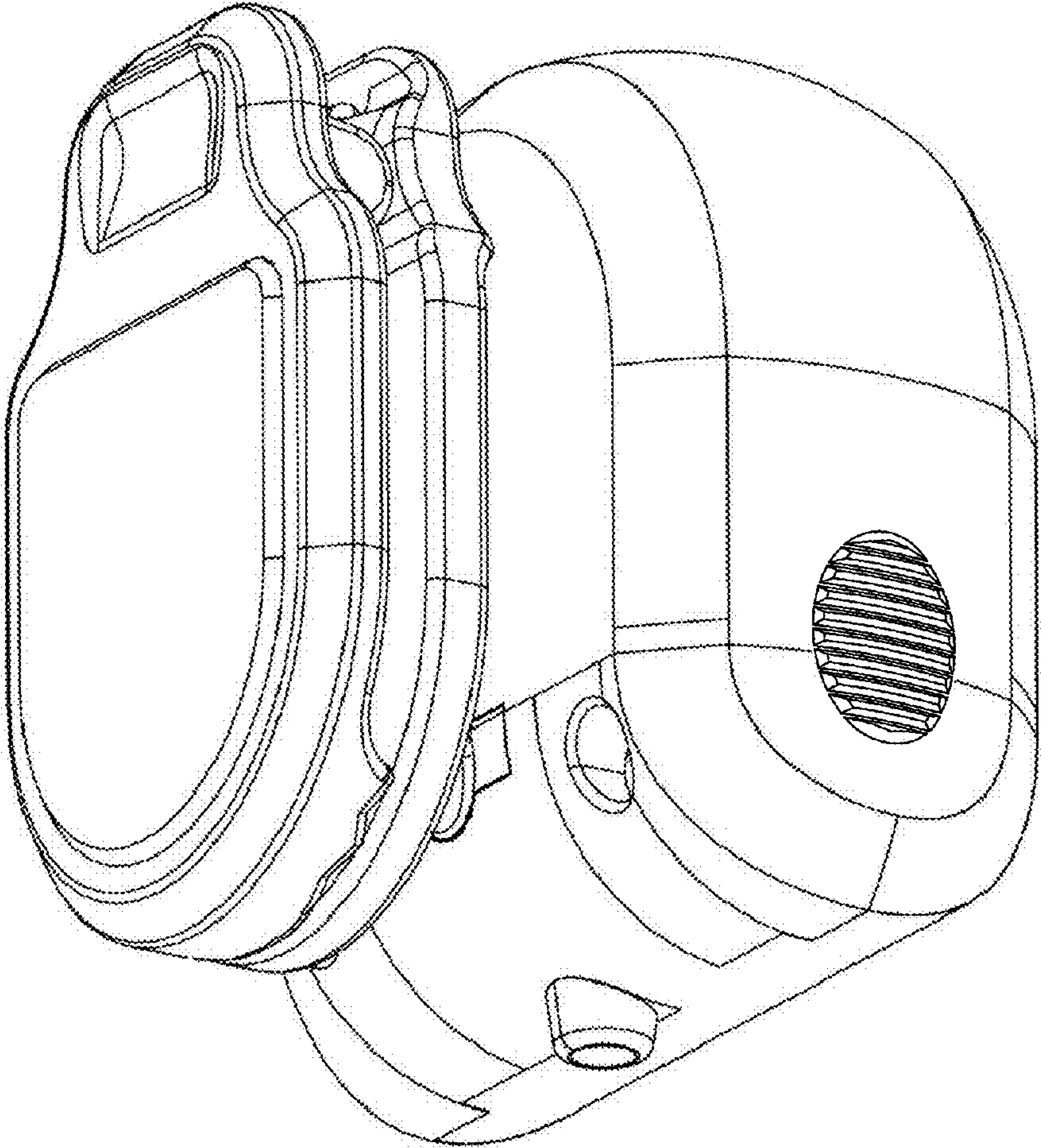


FIG. 8

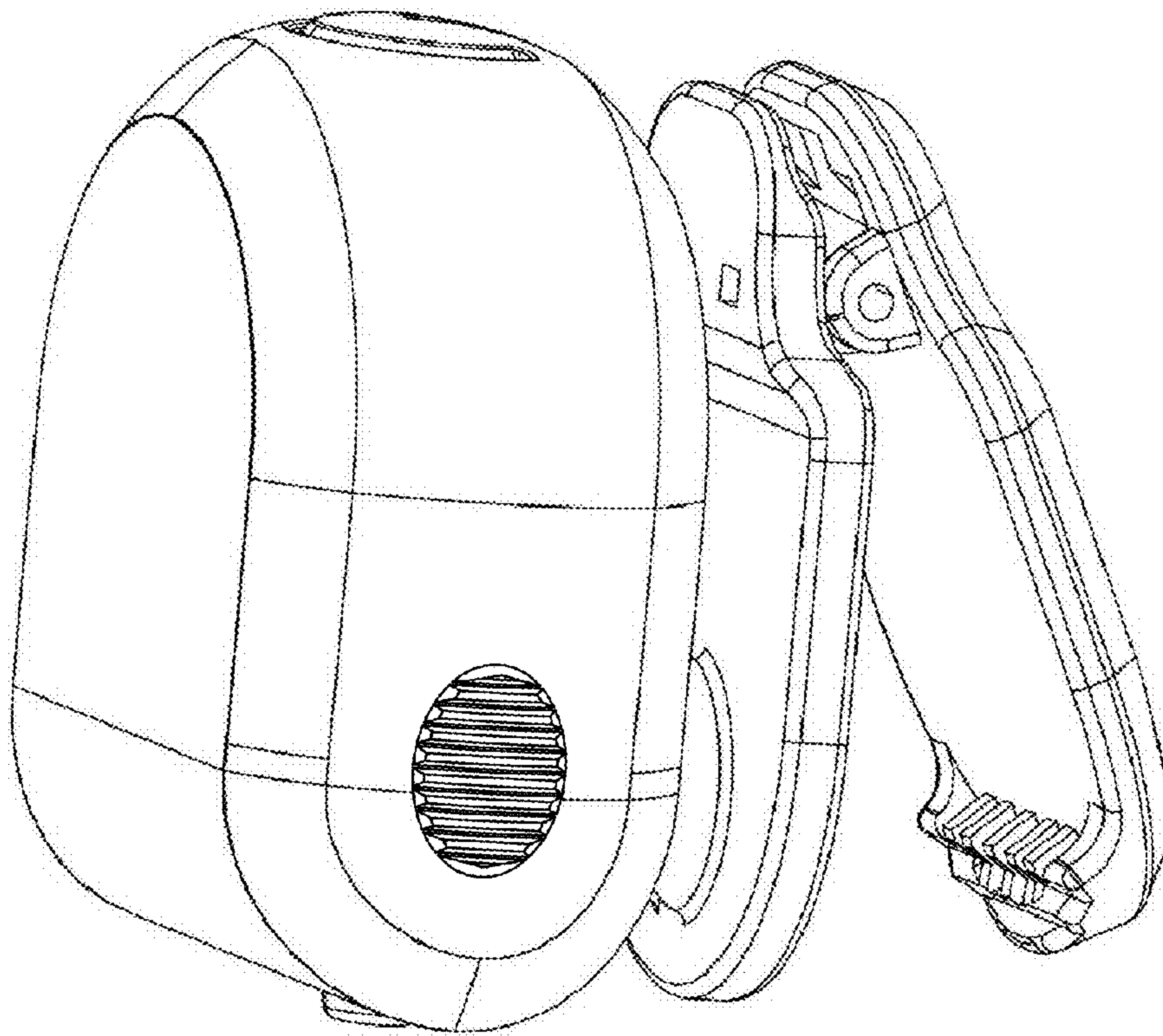


FIG. 9

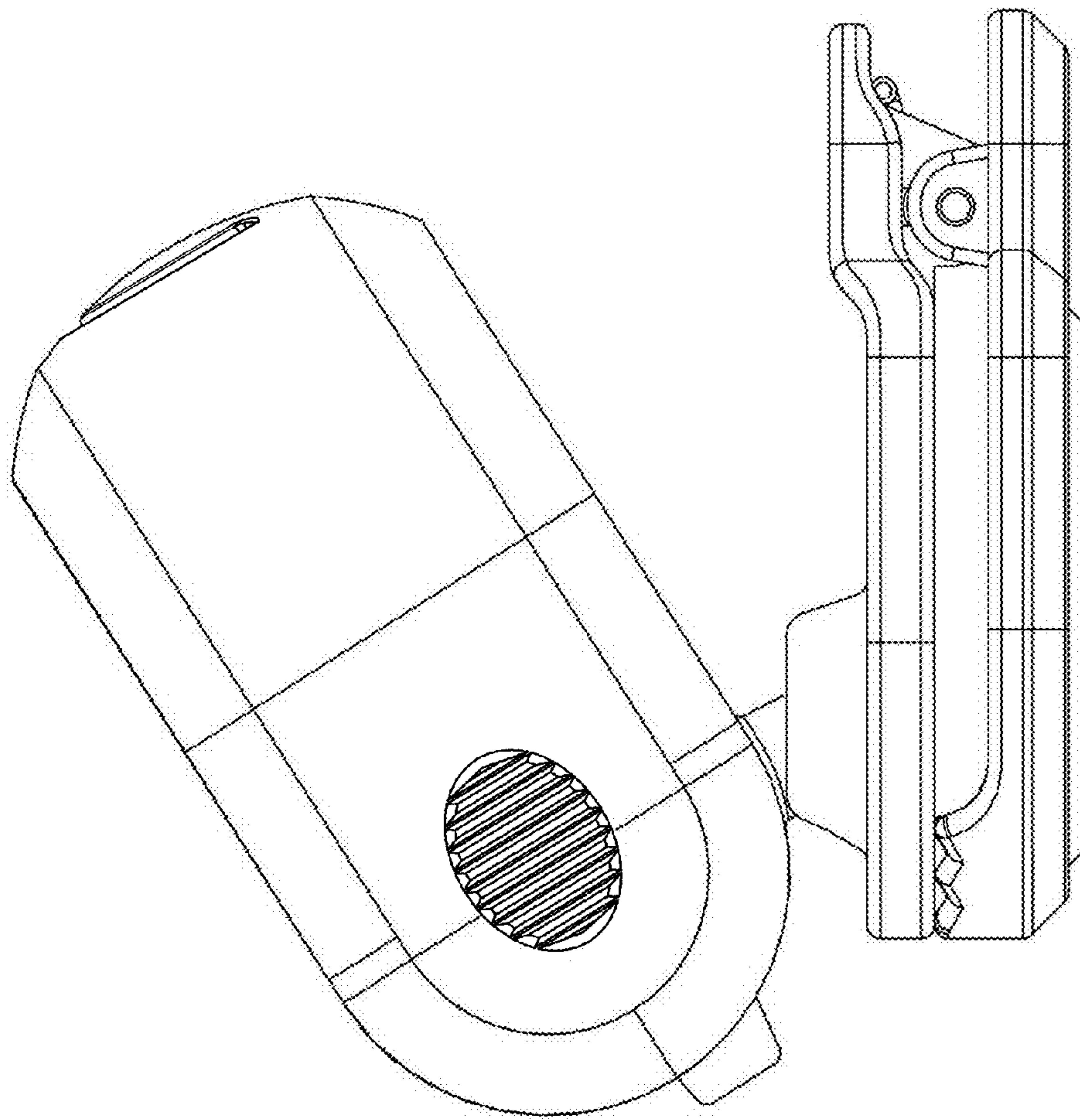


FIG. 10

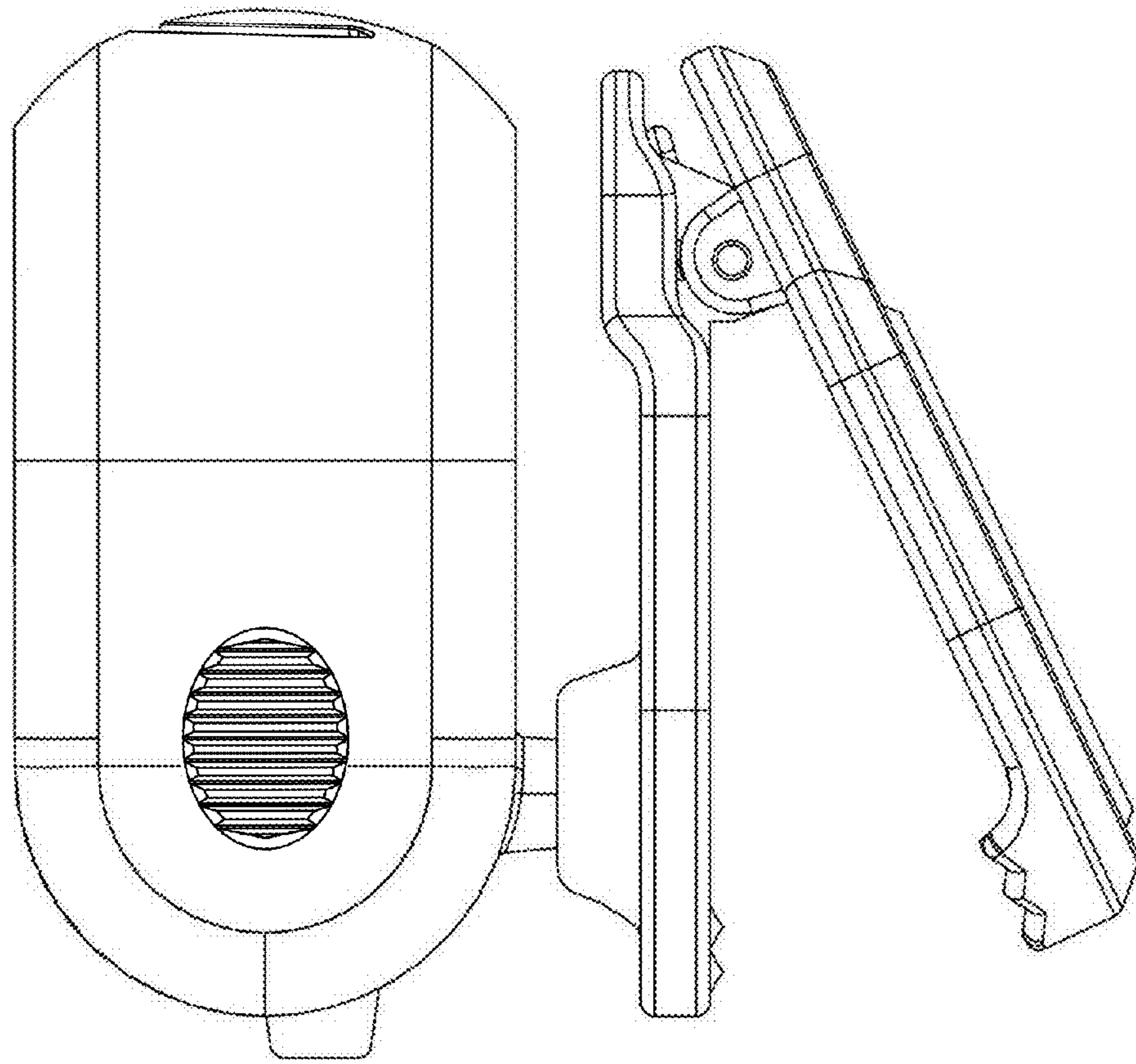


FIG. 11

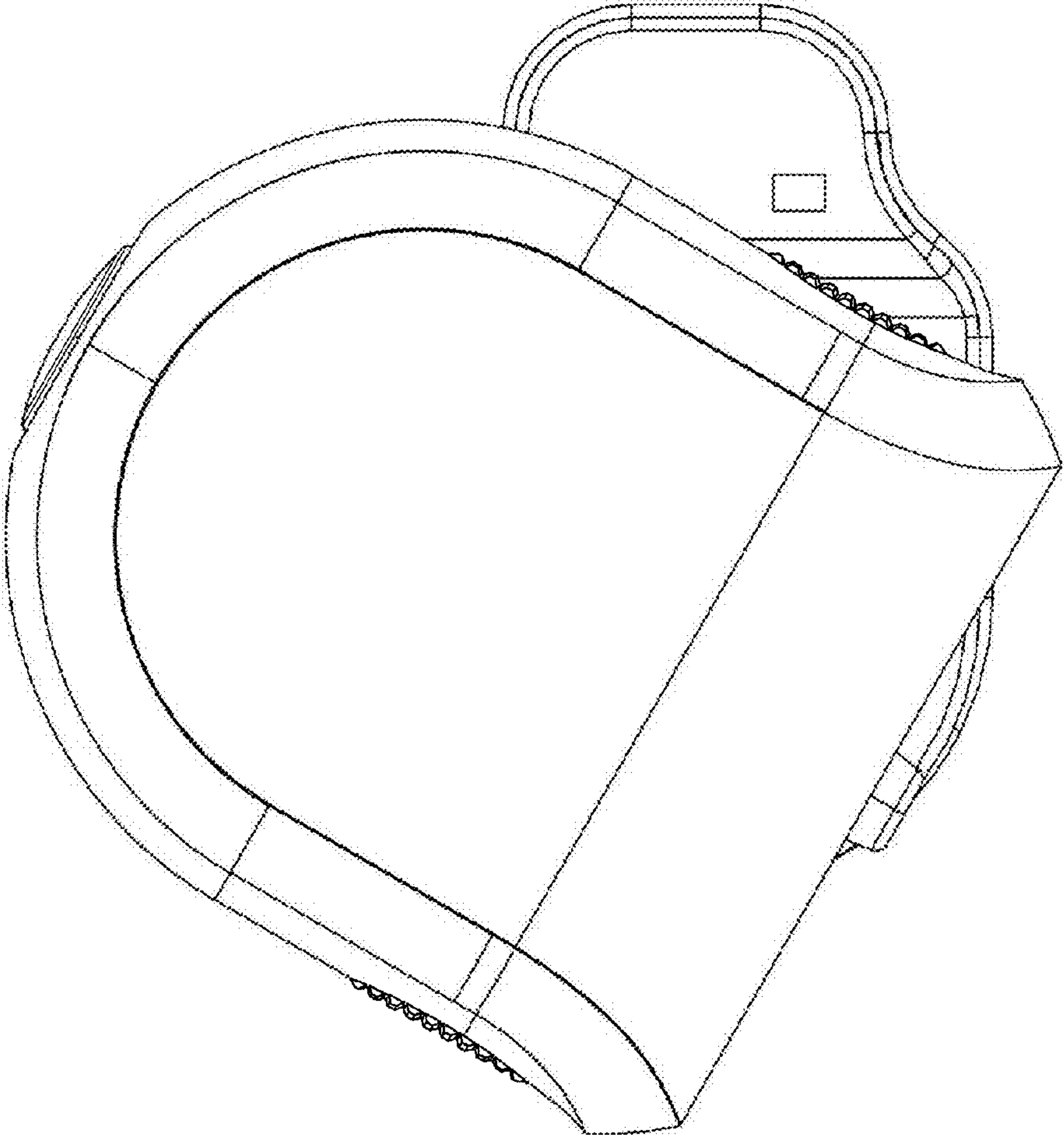


FIG. 12

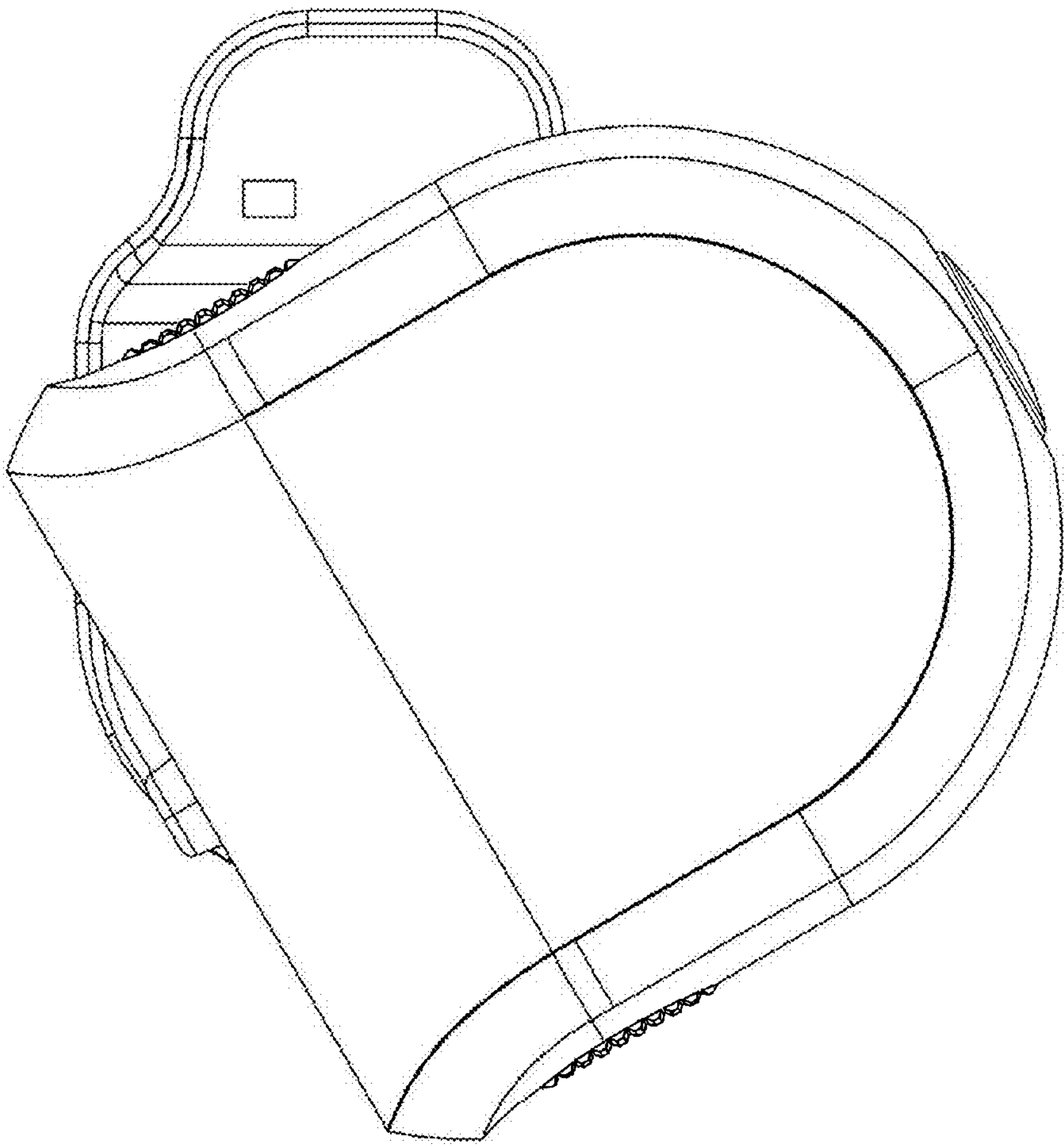


FIG. 13