



US00D764085S

(12) **United States Design Patent**  
**Jackson et al.**

(10) **Patent No.:** **US D764,085 S**

(45) **Date of Patent:** **\*\* Aug. 16, 2016**

(54) **HEADLIGHT OF AN OFF-ROAD VEHICLE**

(71) Applicant: **CNH Industrial America LLC**, New Holland, PA (US)

(72) Inventors: **Dwayne St. George Jackson**, Plainfield, IL (US); **Jonathan Eziquiel-Shriro**, Chicago, IL (US)

(73) Assignee: **CNH Industrial America LLC**, New Holland, PA (US)

(\*\*) Term: **15 Years**

(21) Appl. No.: **29/530,431**

(22) Filed: **Jun. 16, 2015**

(51) **LOC (10) Cl.** ..... **26-07**

(52) **U.S. Cl.**  
USPC ..... **D26/28**

(58) **Field of Classification Search**  
USPC ..... D26/28-36; 362/459-468, 475-478, 362/485-487

CPC ..... F21S 48/00; F21S 48/10; F21S 48/115; F21S 48/225; F21S 48/1233; F21S 48/1266; F21S 48/1388; F21S 48/2268; F21V 21/04  
See application file for complete search history.

(56) **References Cited**

**U.S. PATENT DOCUMENTS**

1,795,614	A	3/1931	Morgan	
3,759,084	A	9/1973	Plewka	
6,447,152	B1	9/2002	Goebert	
D495,813	S *	9/2004	Lin	D26/28
D506,558	S *	6/2005	Lin	D26/28
7,059,754	B2	6/2006	Lekson et al.	
7,070,310	B2	7/2006	Pond et al.	
D569,019	S *	5/2008	Hsu	D26/28
7,387,417	B2	6/2008	Sazuka et al.	
D588,730	S *	3/2009	Hsu	D26/28
7,641,372	B2	1/2010	Panopoulos	

D632,410	S *	2/2011	Okuno	D26/28
D634,041	S *	3/2011	Koshino	D26/28
D654,604	S *	2/2012	Chang	D26/28
8,393,768	B2	3/2013	Lee et al.	
D701,335	S *	3/2014	Jeong	D26/28
D718,893	S *	12/2014	Lai	D26/28
D721,196	S *	1/2015	Lai	D26/28
D721,450	S *	1/2015	Lai	D26/28
D728,133	S *	4/2015	Bieling	D26/28
D728,135	S *	4/2015	Ha	D26/28
2014/0192548	A1	7/2014	Kracker et al.	

**FOREIGN PATENT DOCUMENTS**

DE	102007060399	6/2009
DE	102010027415	1/2012
GB	352130	7/1931

\* cited by examiner

*Primary Examiner* — Angela J Lee

(74) *Attorney, Agent, or Firm* — Sue C. Watson

(57) **CLAIM**

The ornamental design for a headlight of an off-road vehicle, substantially as shown and described.

**DESCRIPTION**

FIG. 1 is a perspective view of a headlight of an off-road vehicle;

FIG. 2 is a front view of the headlight;

FIG. 3 is a left side view of the headlight;

FIG. 4 is a right side view of the headlight;

FIG. 5 is a top view of the headlight;

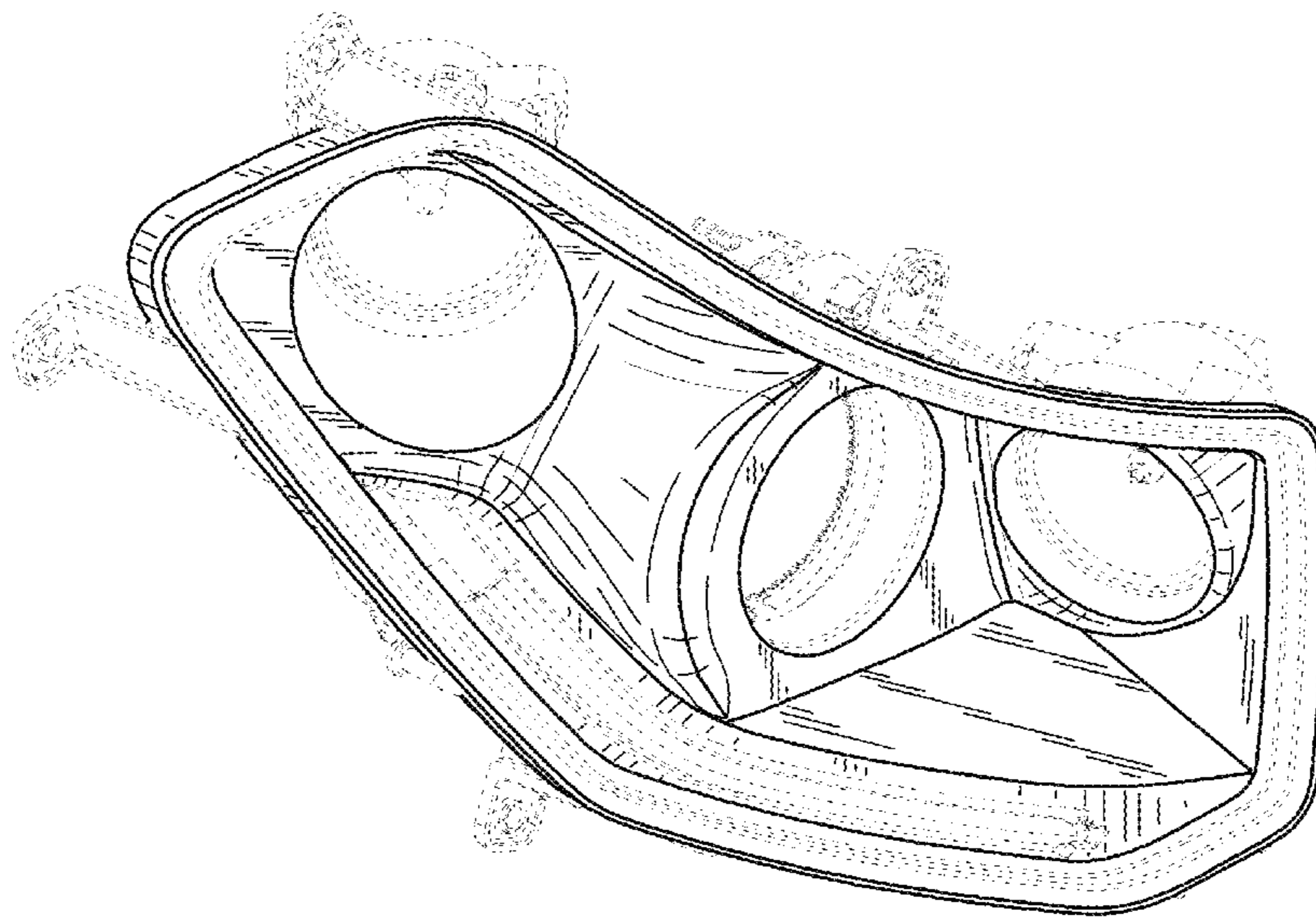
FIG. 6 is a bottom view of the headlight;

FIG. 7 is a perspective view of the headlight with a transparent cover shown in phantom lines; and,

FIG. 8 is a top view of the headlight having the transparent cover shown in phantom lines.

Phantom lines, where utilized, are for illustrative purposes only and form no part of the claimed design.

**1 Claim, 8 Drawing Sheets**



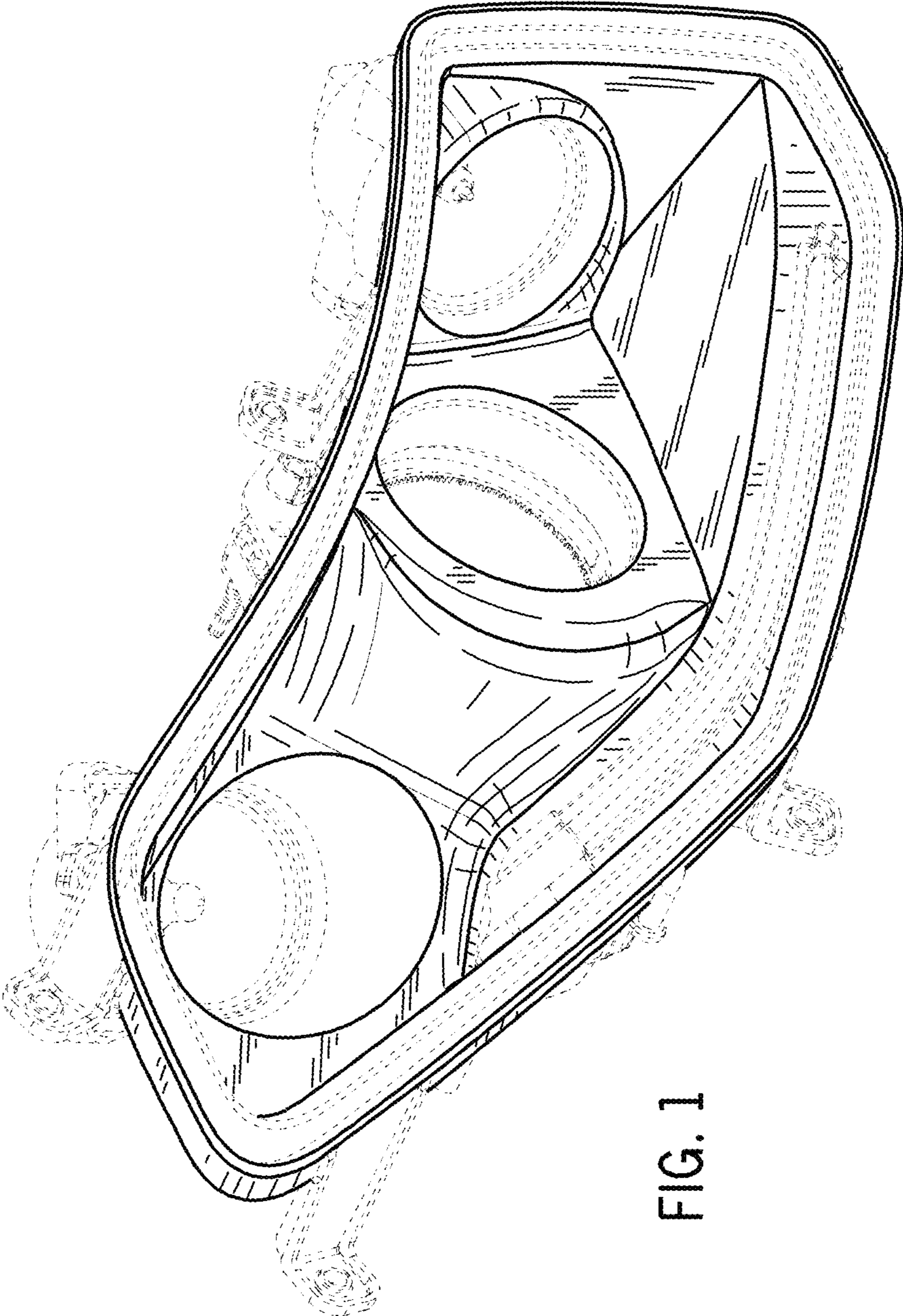


FIG. 1

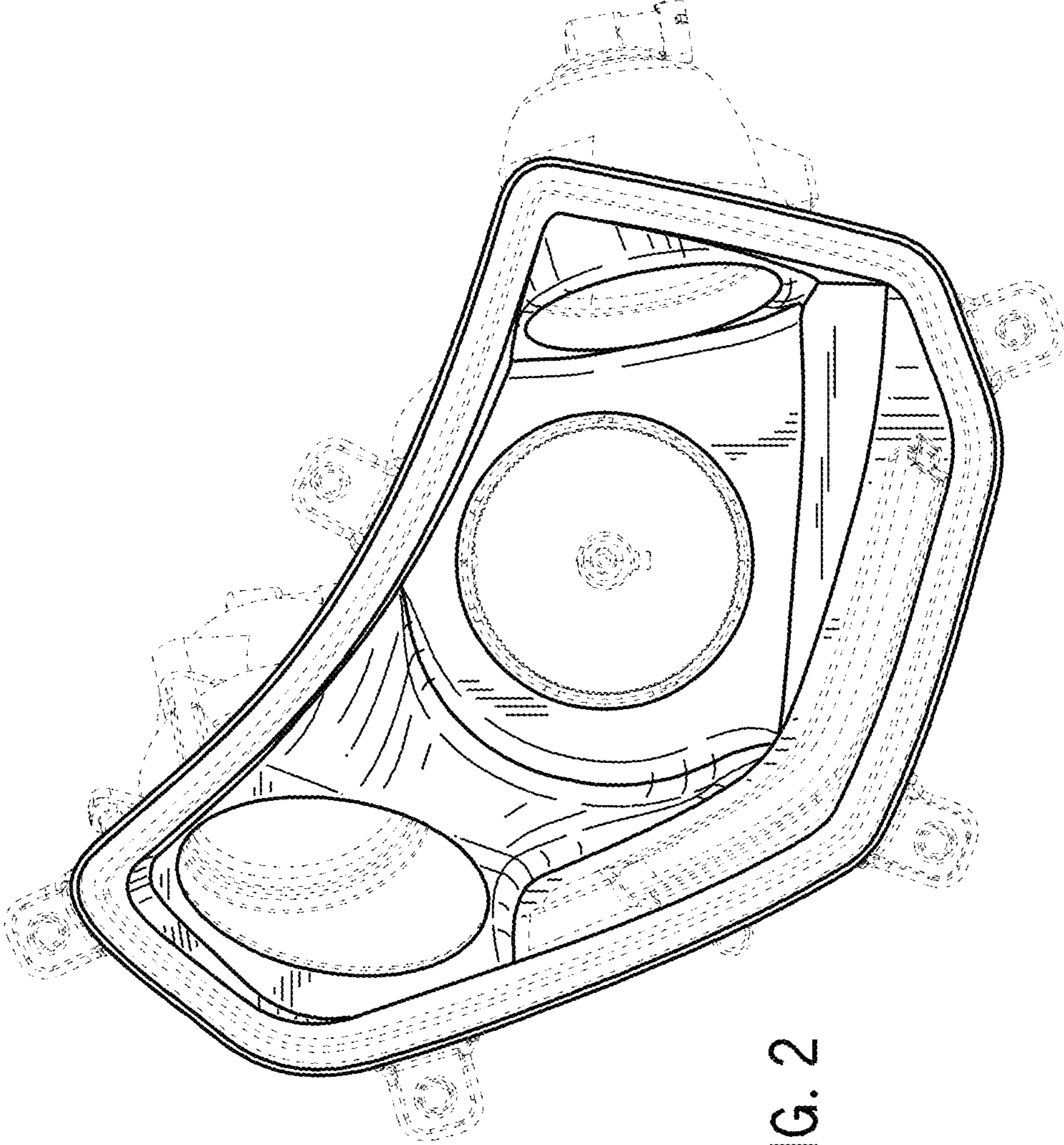


FIG. 2

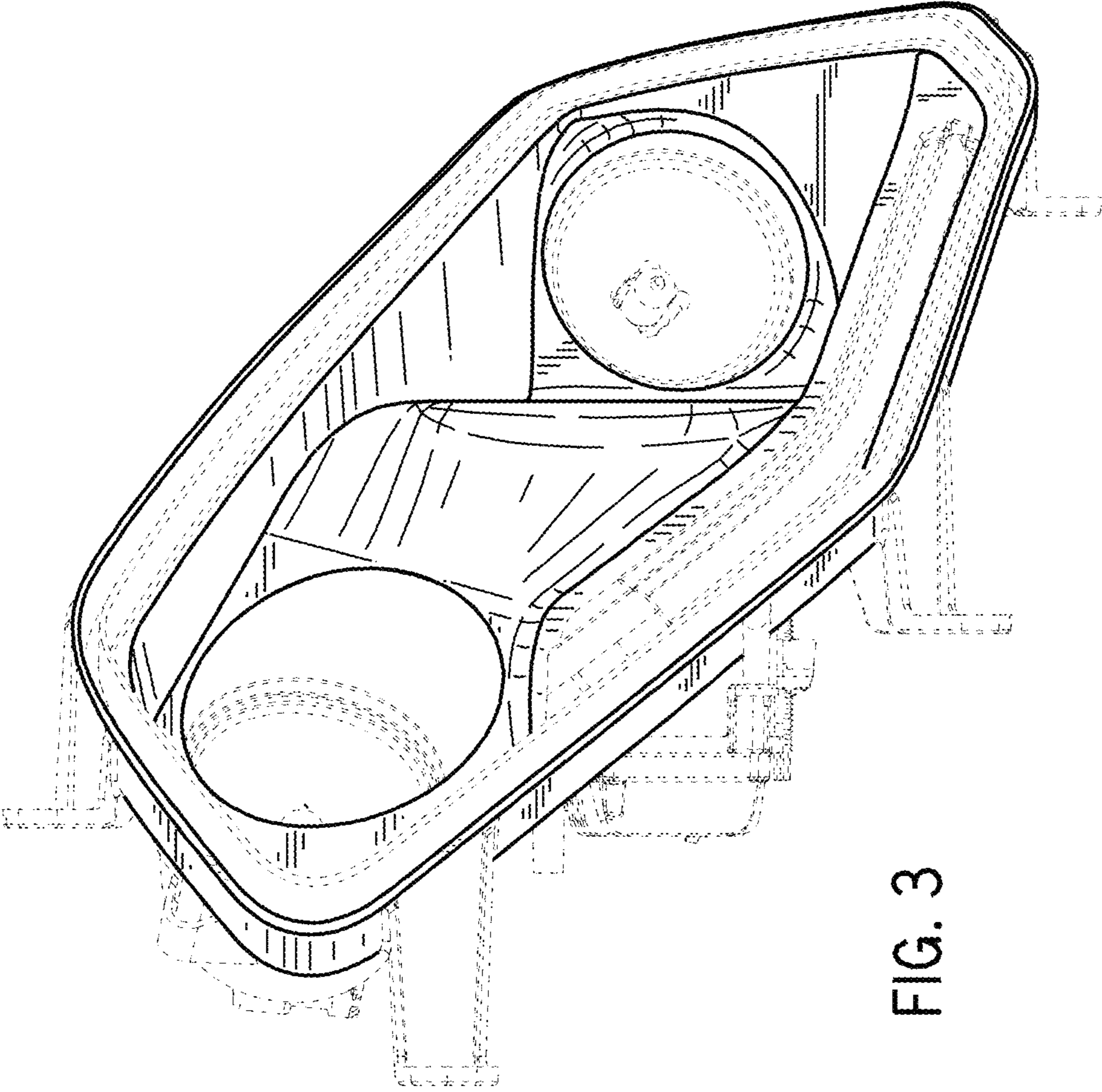


FIG. 3

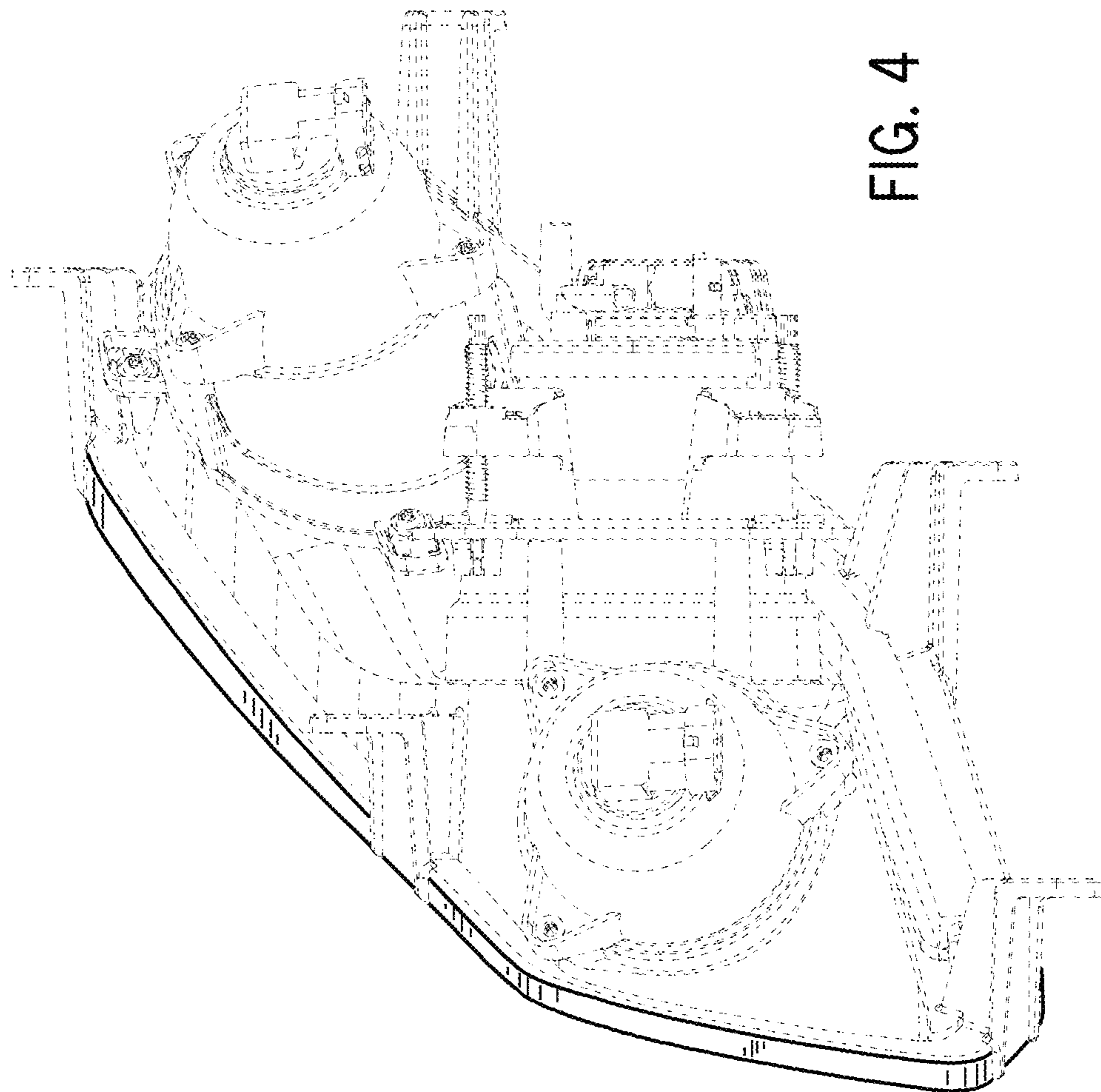


FIG. 4

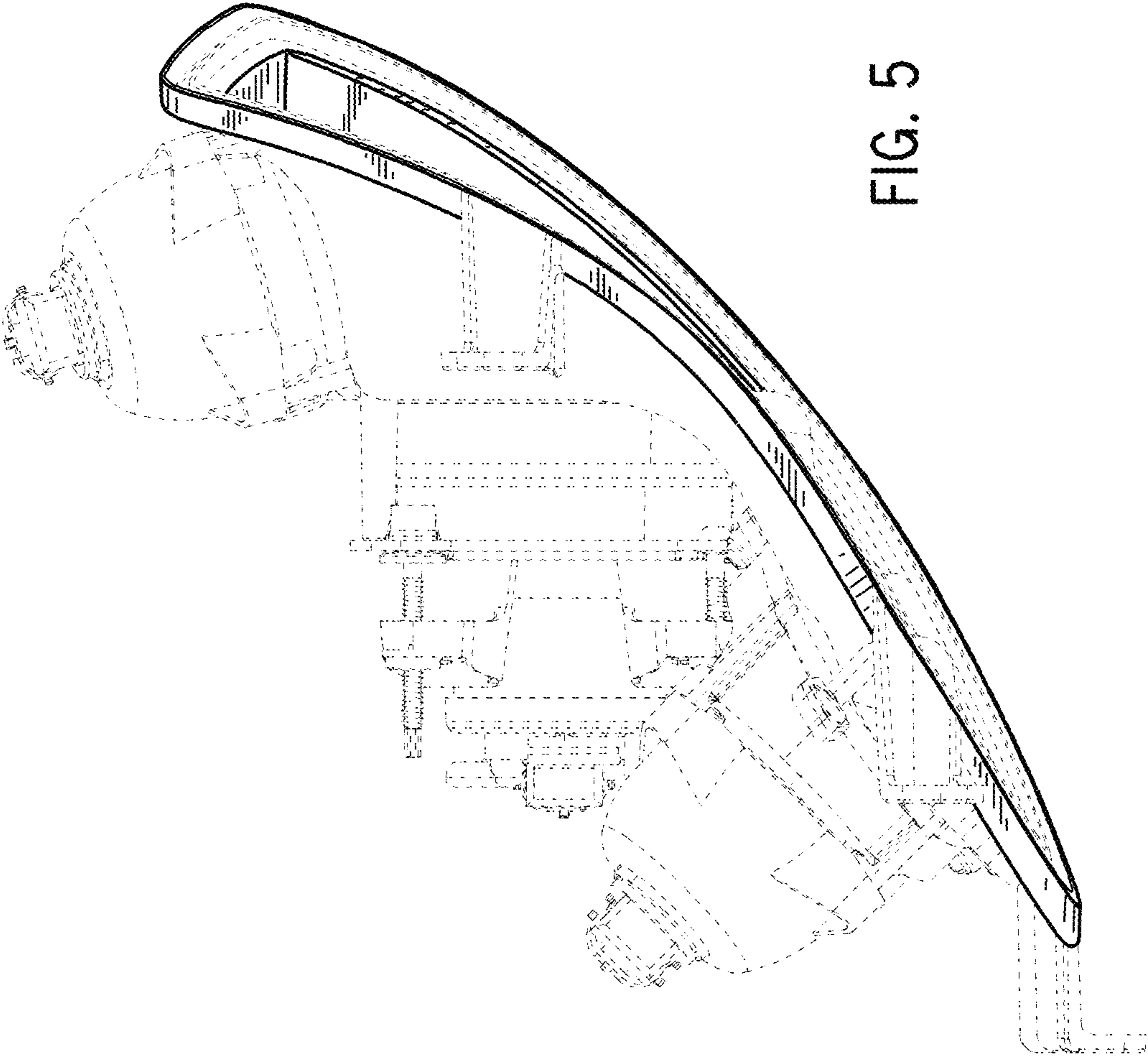


FIG. 5

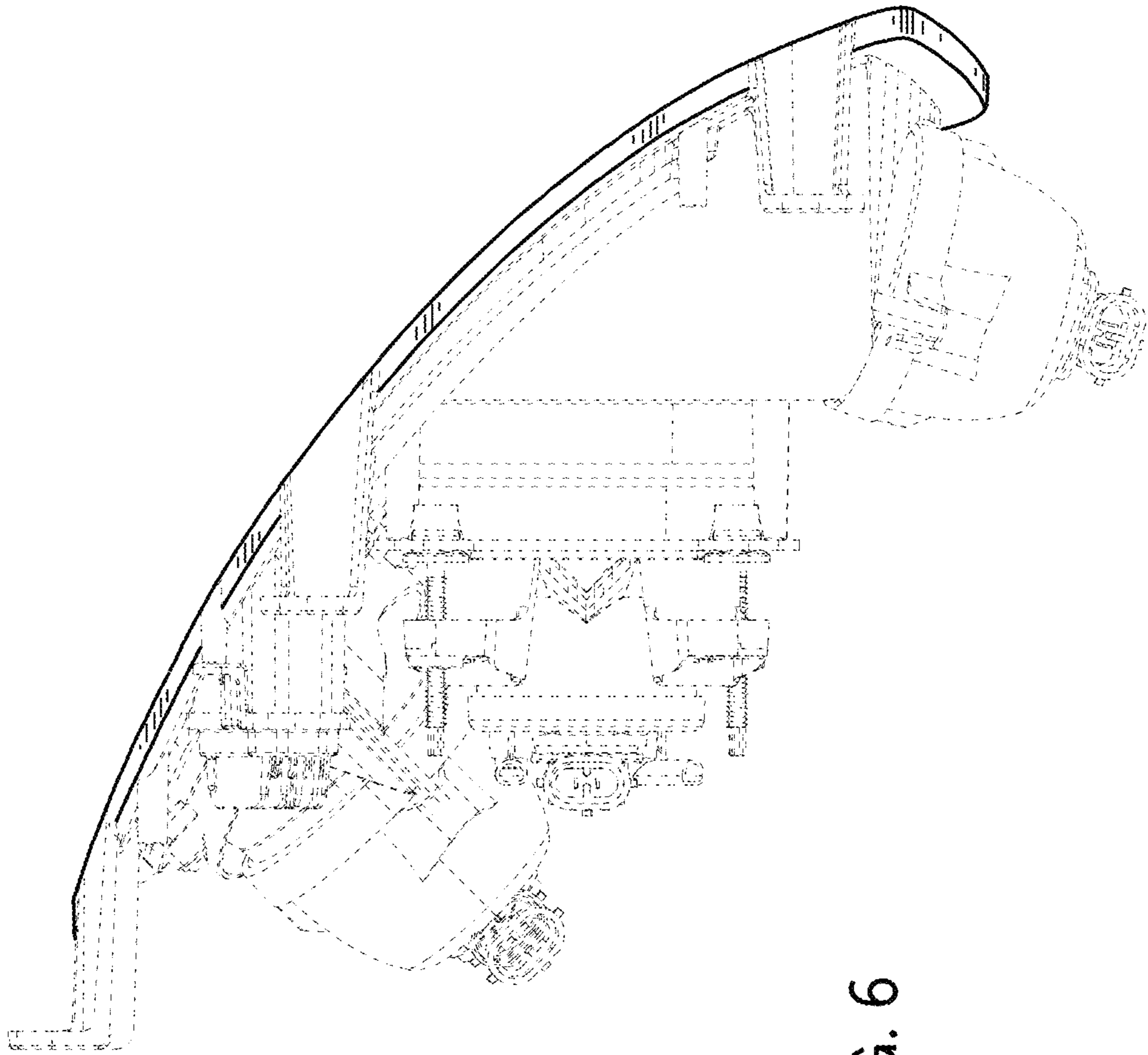


FIG. 6

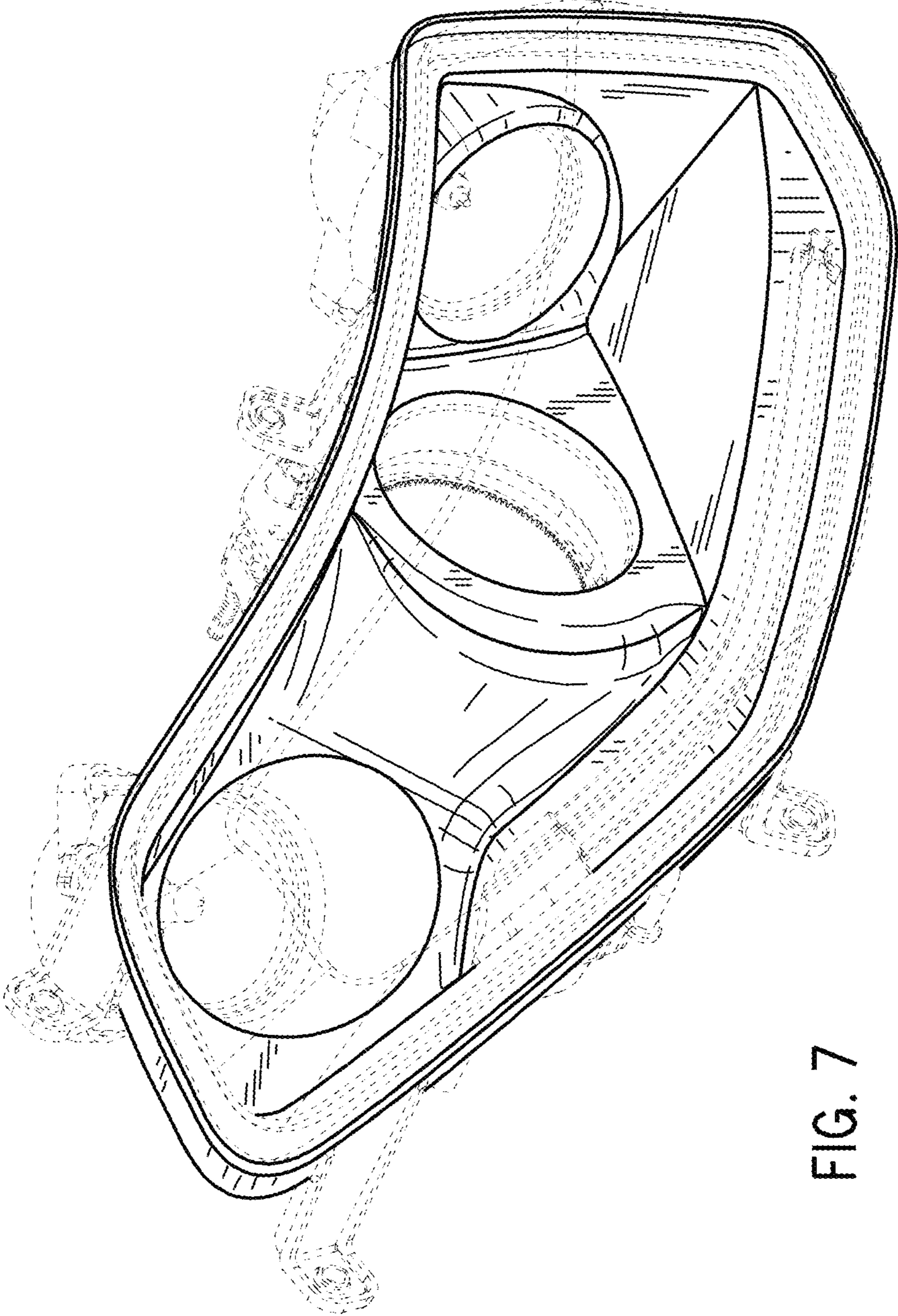


FIG. 7



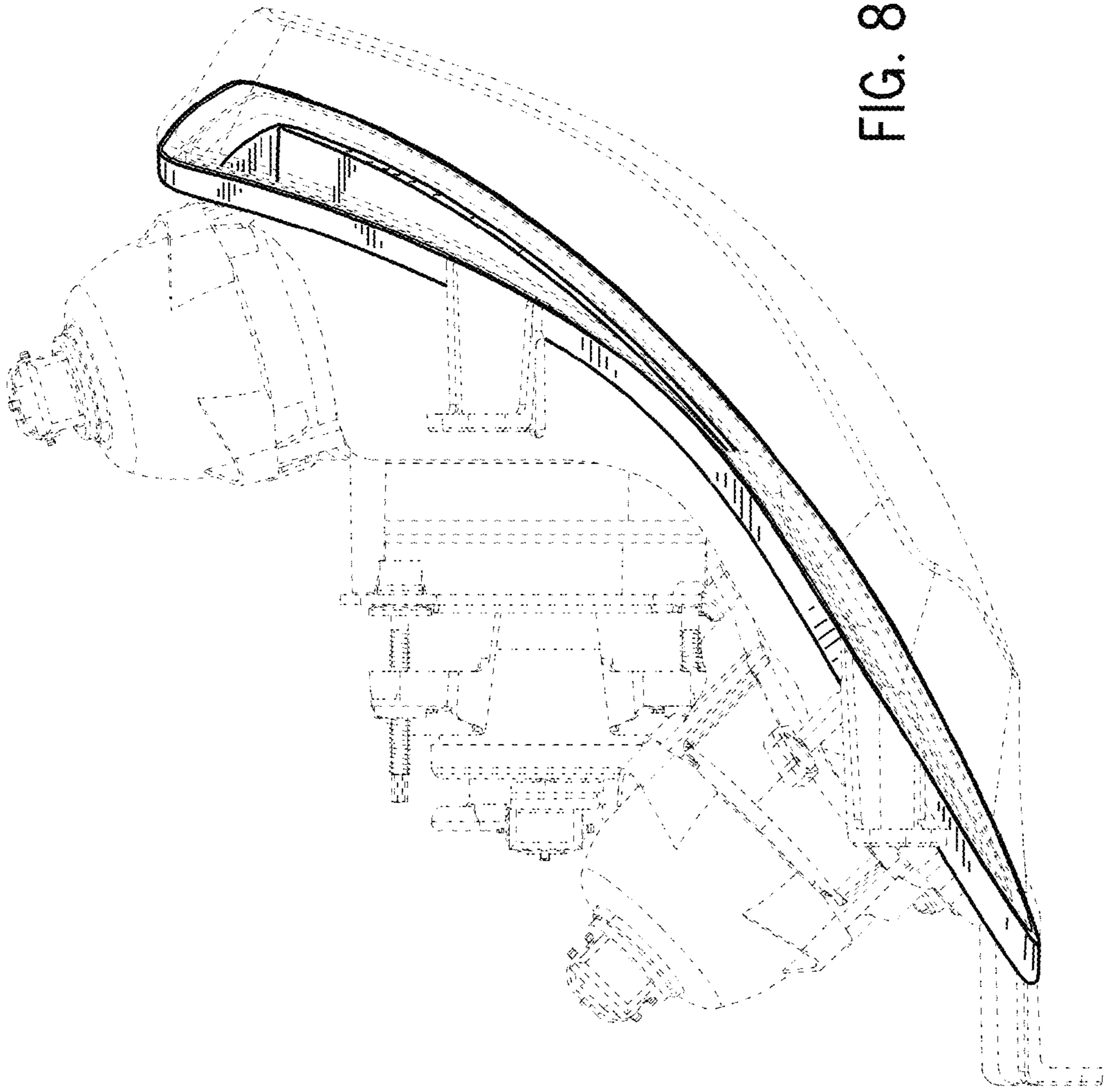


FIG. 8