

US00D764079S

(12) **United States Design Patent**
Wu

(10) **Patent No.:** **US D764,079 S**

(45) **Date of Patent:** **** Aug. 16, 2016**

- (54) **LED LIGHT INCENSE HOLDER**
- (71) Applicant: **Jingqing Wu**, Guangdong (CN)
- (72) Inventor: **Jingqing Wu**, Guangdong (CN)
- (**) Term: **14 Years**
- (21) Appl. No.: **29/507,258**
- (22) Filed: **Oct. 24, 2014**
- (51) **LOC (10) Cl.** **26-03**
- (52) **U.S. Cl.**
USPC **D26/24**
- (58) **Field of Classification Search**
USPC D26/24, 27, 37, 93, 94, 96, 104, 106,
D26/110, 112
CPC F21S 6/00; F21S 6/002; F21S 6/004;
F21S 10/00; F21W 2121/00; F21W 2131/10;
F21W 2131/30; F21W 2121/308; F21V 21/02;
F21V 21/08; F21V 2200/00
See application file for complete search history.

- D690,843 S * 10/2013 Feigenbaum D26/24
- D720,090 S * 12/2014 Toomey D26/24
- D730,546 S * 5/2015 Baum D26/1
- D742,041 S * 10/2015 Garcia D26/110

* cited by examiner

Primary Examiner — Brian N Vinson

(74) *Attorney, Agent, or Firm* — Schmeiser, Olsen & Watts, LLP

(57) **CLAIM**

The ornamental design for a LED light incense holder, as shown and described.

DESCRIPTION

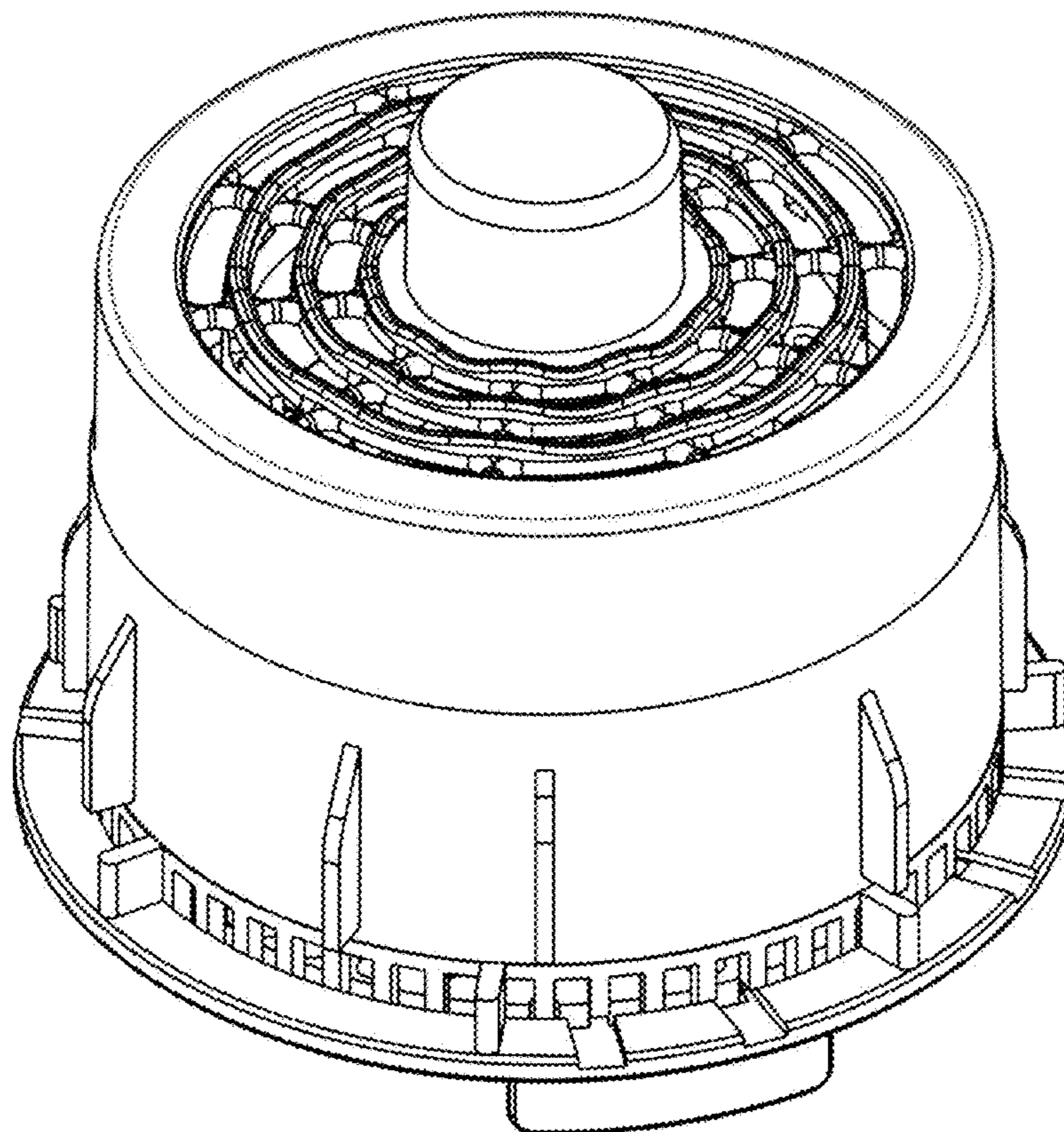
FIG. 1 is a front perspective view of a LED light incense holder showing my new design;
 FIG. 2 is a front elevational view thereof (rear elevational view is a mirror image of the front elevational view without the block plug portion);
 FIG. 3 is a left side elevational view thereof (right side elevational view is a mirror image of left side elevational view);
 FIG. 4 is a top plan view thereof; and,
 FIG. 5 is a bottom plan view thereof.
 The broken lines showing in FIGS. 1-5 are for environmental purposes only and form no part of the claimed design.

(56) **References Cited**

U.S. PATENT DOCUMENTS

- D100,074 S * 6/1936 Graubner D26/40
- D384,181 S * 9/1997 Borden D26/110
- D646,004 S * 9/2011 VanderSchuit D26/24

1 Claim, 5 Drawing Sheets



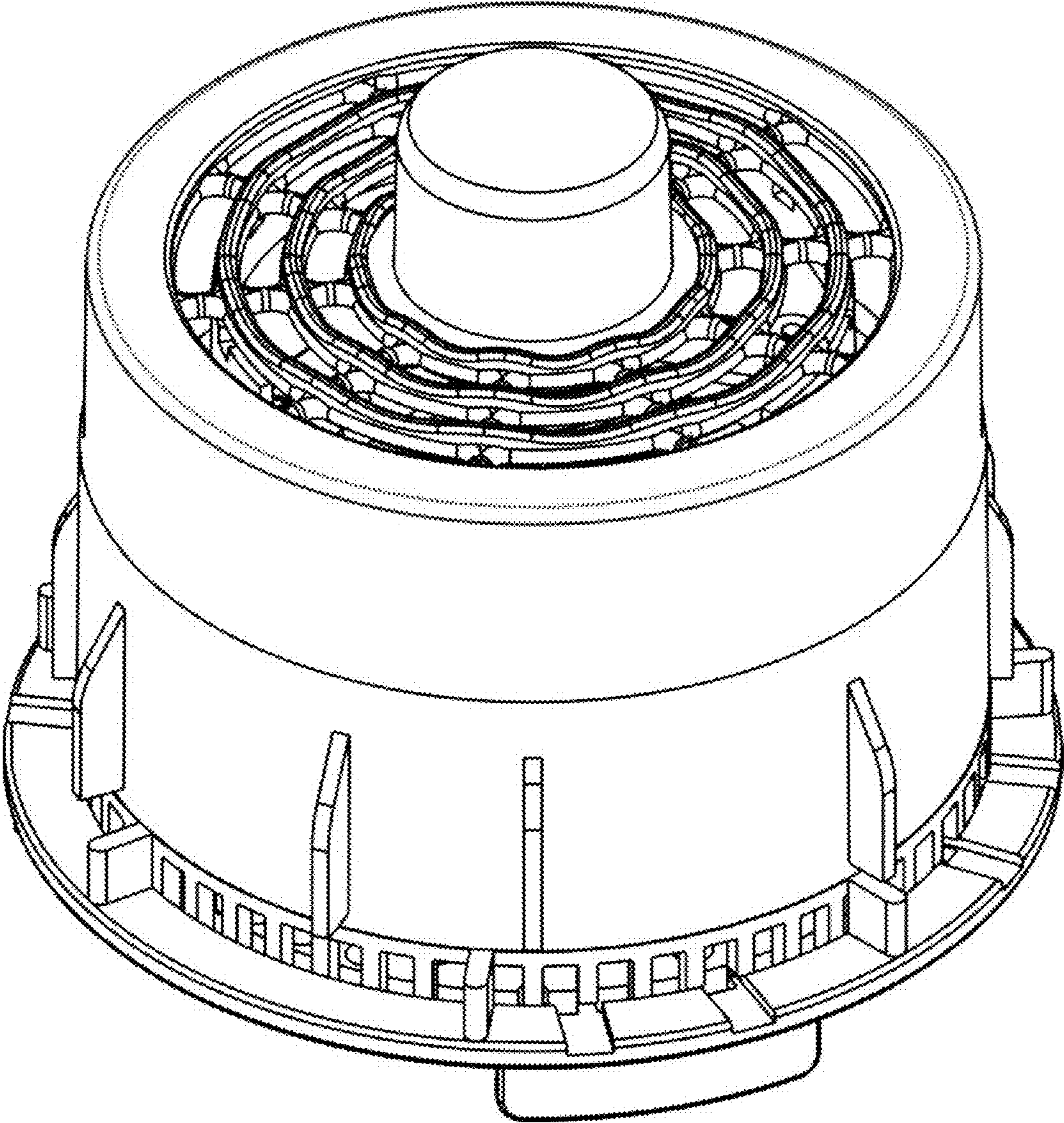


Figure 1

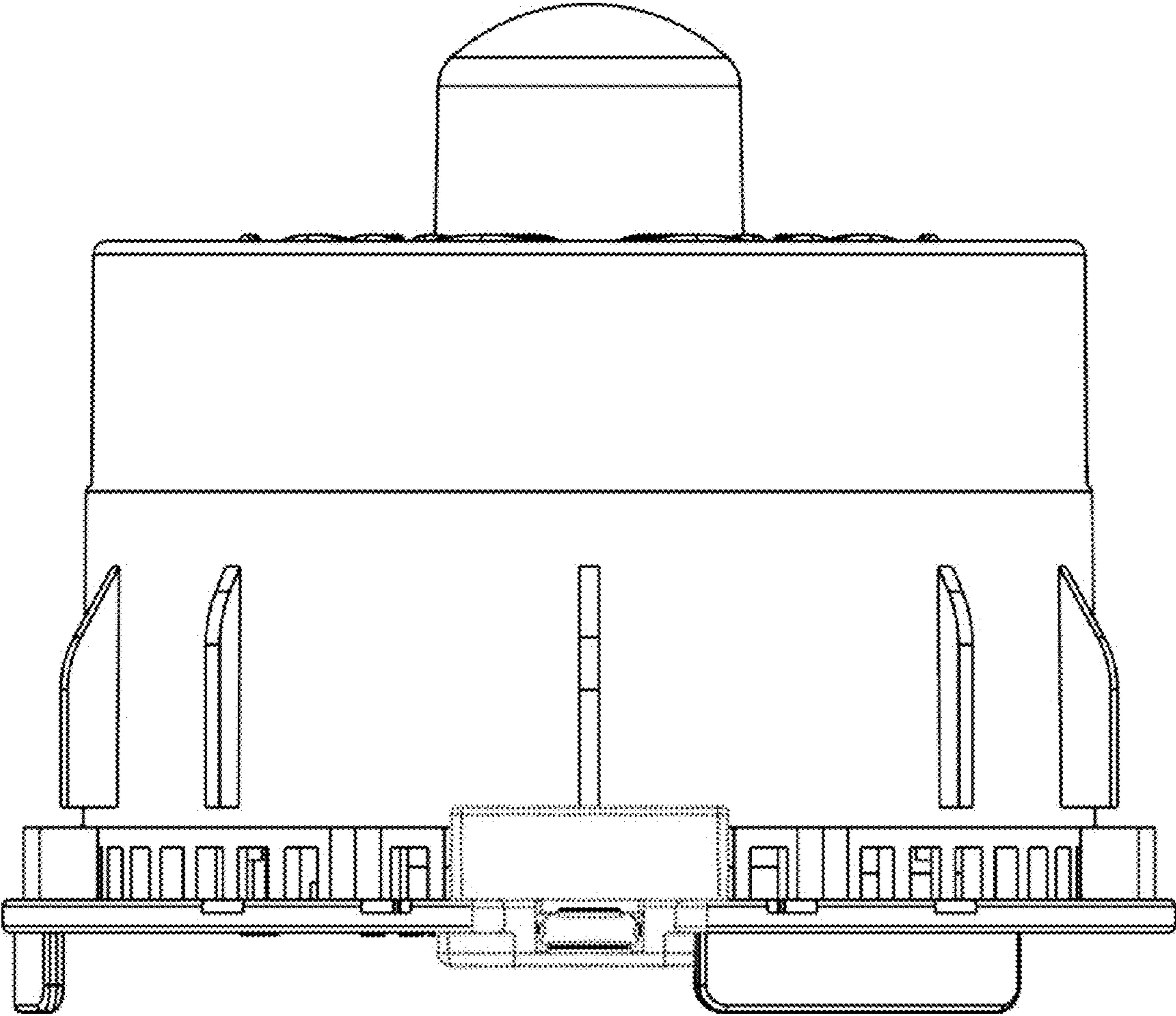


Figure 2

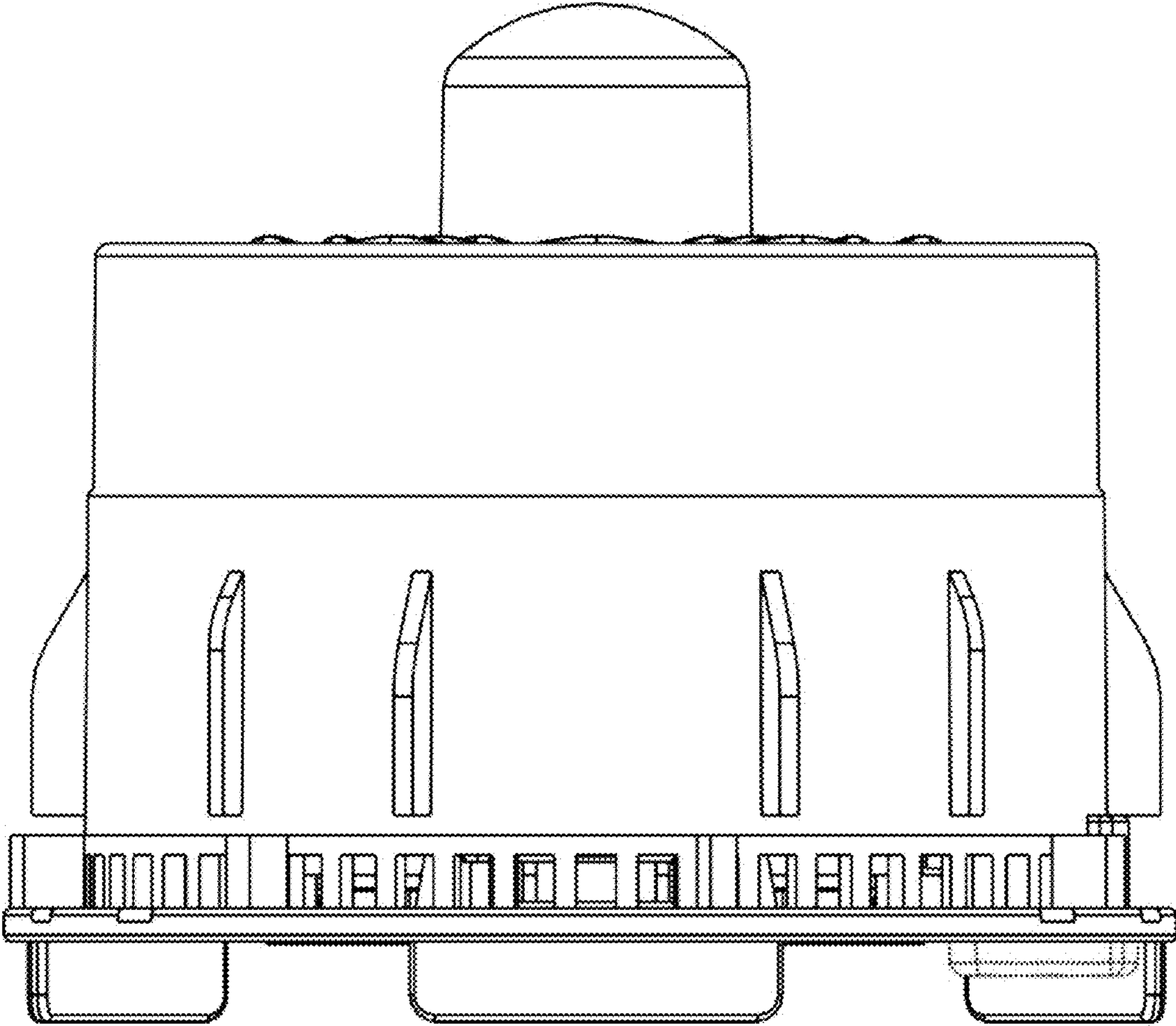


Figure 3

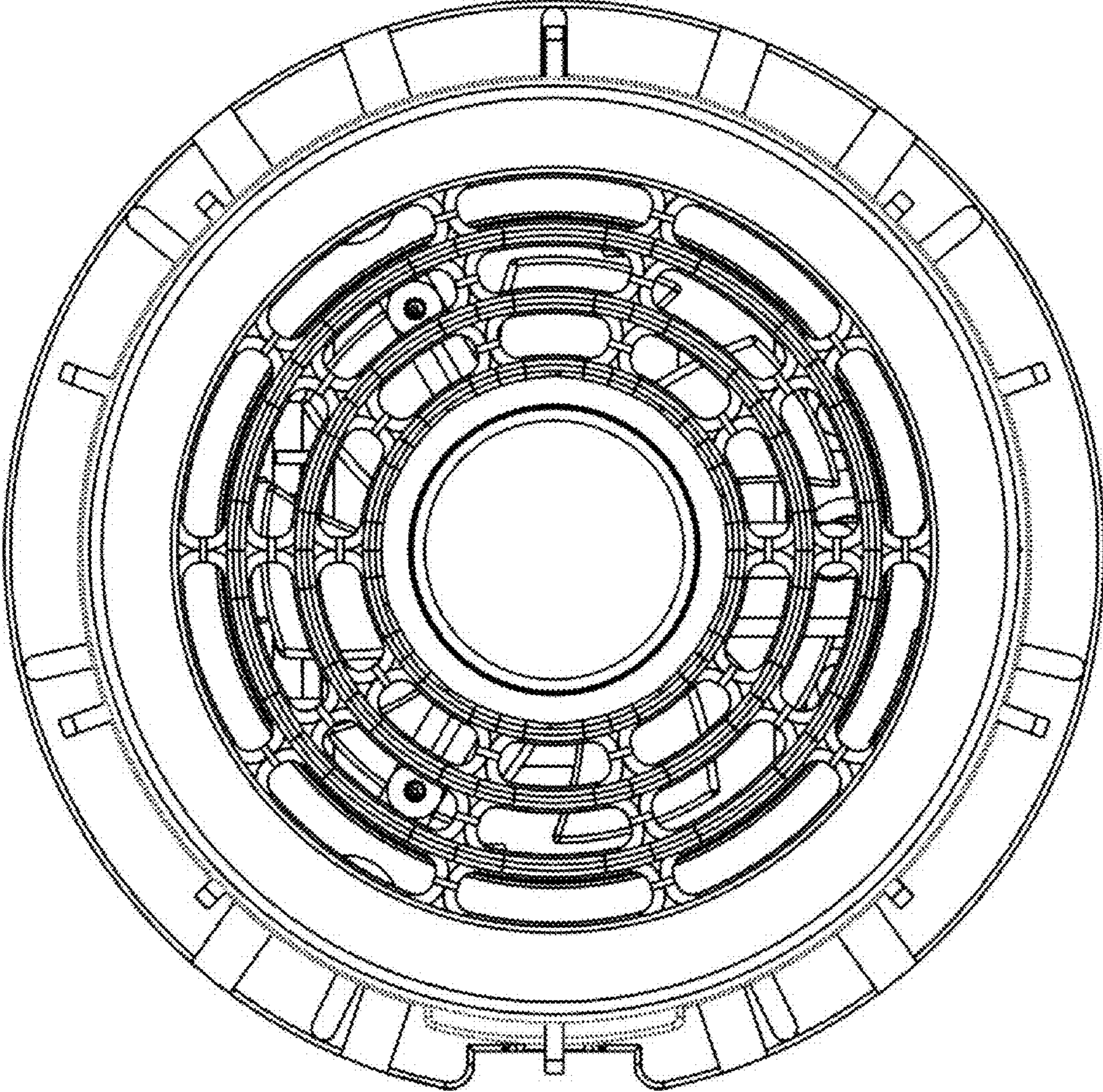


Figure 4

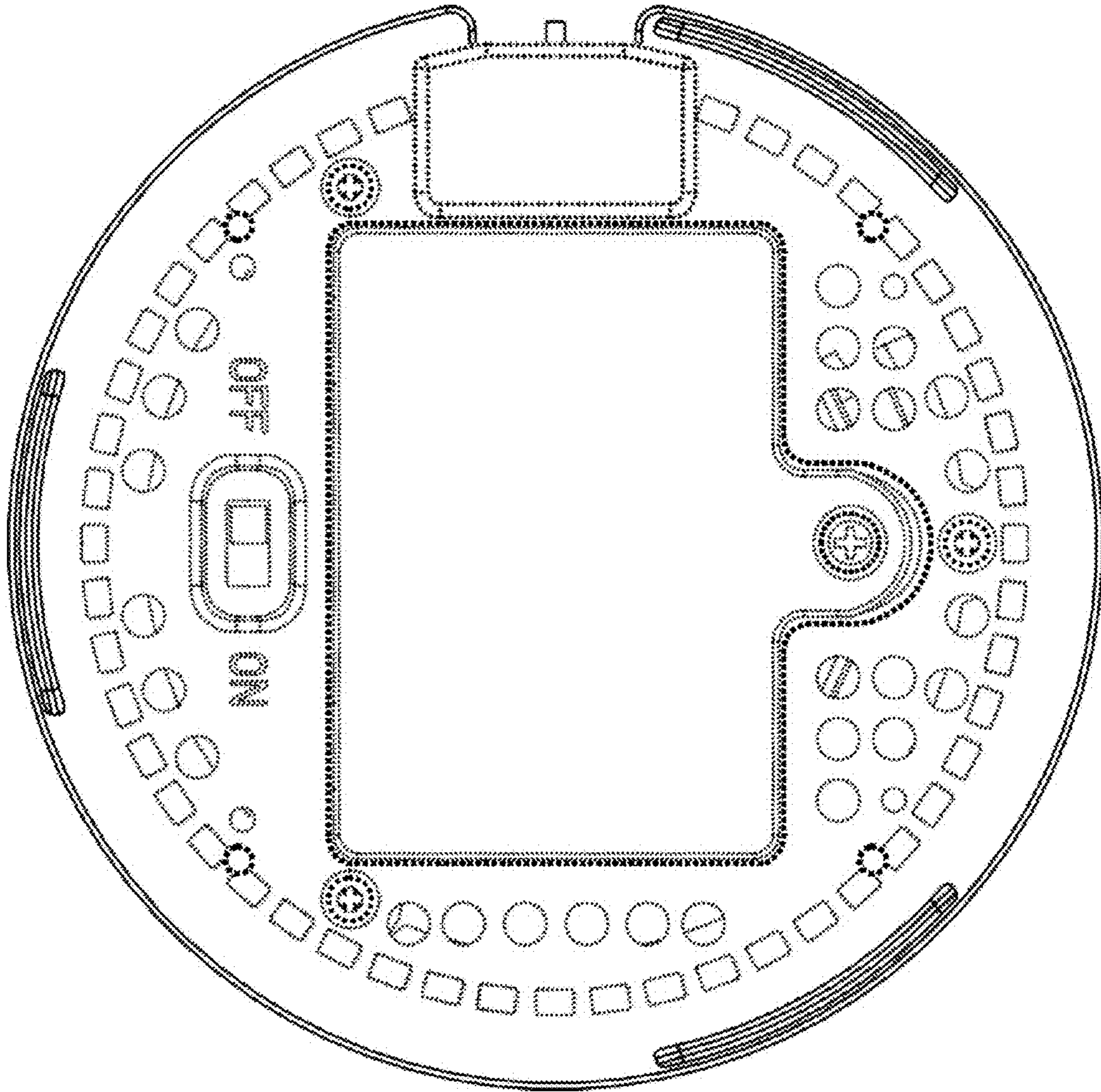


Figure 5