



US00D764078S

(12) **United States Design Patent**
Huang

(10) **Patent No.:** **US D764,078 S**

(45) **Date of Patent:** **** Aug. 16, 2016**

(54) **LAMP**

(71) Applicant: **BIG TIME AUTO PARTS MFG. CO., LTD.**, Tainan (TW)

(72) Inventor: **Yao-Hung Huang**, Tainan (TW)

(73) Assignee: **Big Time Auto Parts Mfg. Co., Ltd.**, Tainan (TW)

(**) Term: **15 Years**

(21) Appl. No.: **29/528,543**

(22) Filed: **May 29, 2015**

(51) **LOC (10) Cl.** **26-04**

(52) **U.S. Cl.**
USPC **D26/2**

(58) **Field of Classification Search**
USPC D26/1-4; 313/313, 315, 316, 317, 318,
313/493; 315/52, 53, 56, 57, 58
CPC F21V 5/00; F21K 9/13; F21K 9/135;
F21K 9/1375; H01J 5/48; H01J 5/50; H01J
19/54

See application file for complete search history.

(56) **References Cited**

U.S. PATENT DOCUMENTS

D508,575 S *	8/2005	Buschmann	D26/2
D528,227 S *	9/2006	Chou	D26/2
D531,741 S *	11/2006	Takahashi	D26/2
D553,267 S *	10/2007	Yuen	D26/2
D696,798 S *	12/2013	Masashi	D26/2

* cited by examiner

Primary Examiner — Marcus Jackson

(74) *Attorney, Agent, or Firm* — Rosenberg, Klein & Lee

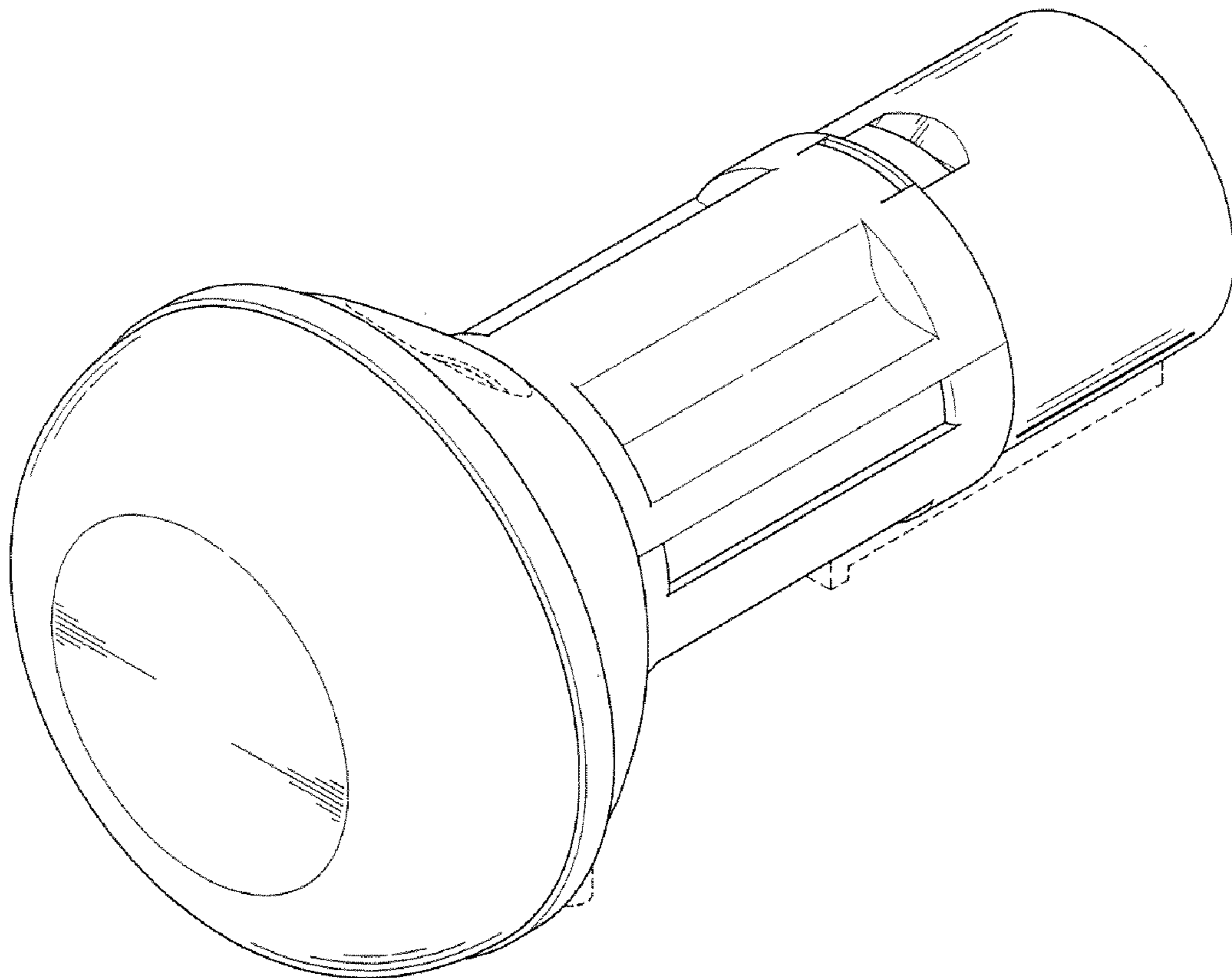
(57) **CLAIM**

The ornamental design for a lamp, as shown and described.

DESCRIPTION

FIG. 1 is a perspective view of a lamp my new design;
FIG. 2 is a front elevational view thereof;
FIG. 3 is a rear elevational view thereof;
FIG. 4 is a left side elevational view thereof;
FIG. 5 is a right side elevational view thereof;
FIG. 6 is a top plan view thereof; and,
FIG. 7 is a bottom plan view thereof.
The broken line showing of the electrical source is included for the purpose of illustrating only and forms no part of the claimed design.

1 Claim, 7 Drawing Sheets



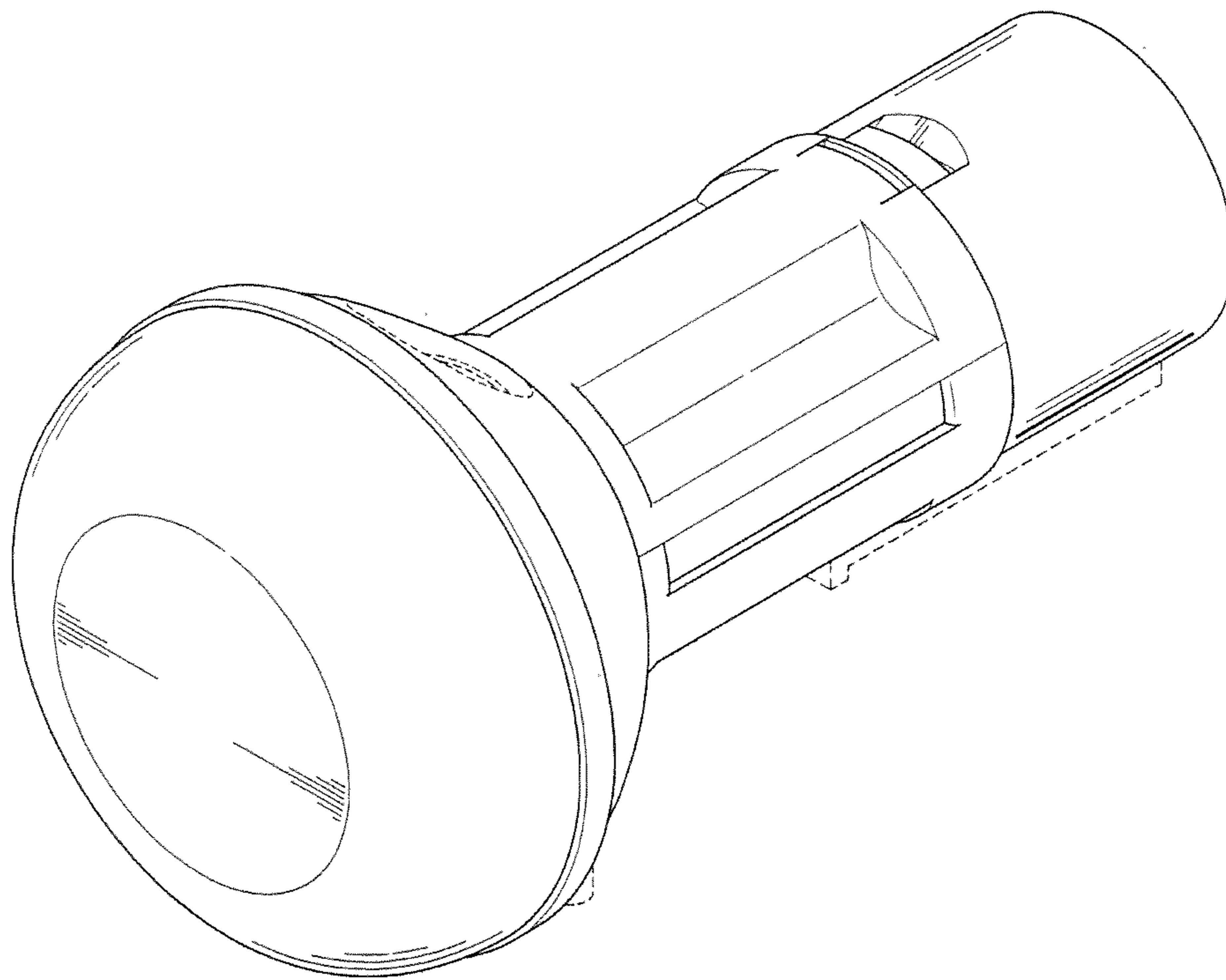


FIG. 1

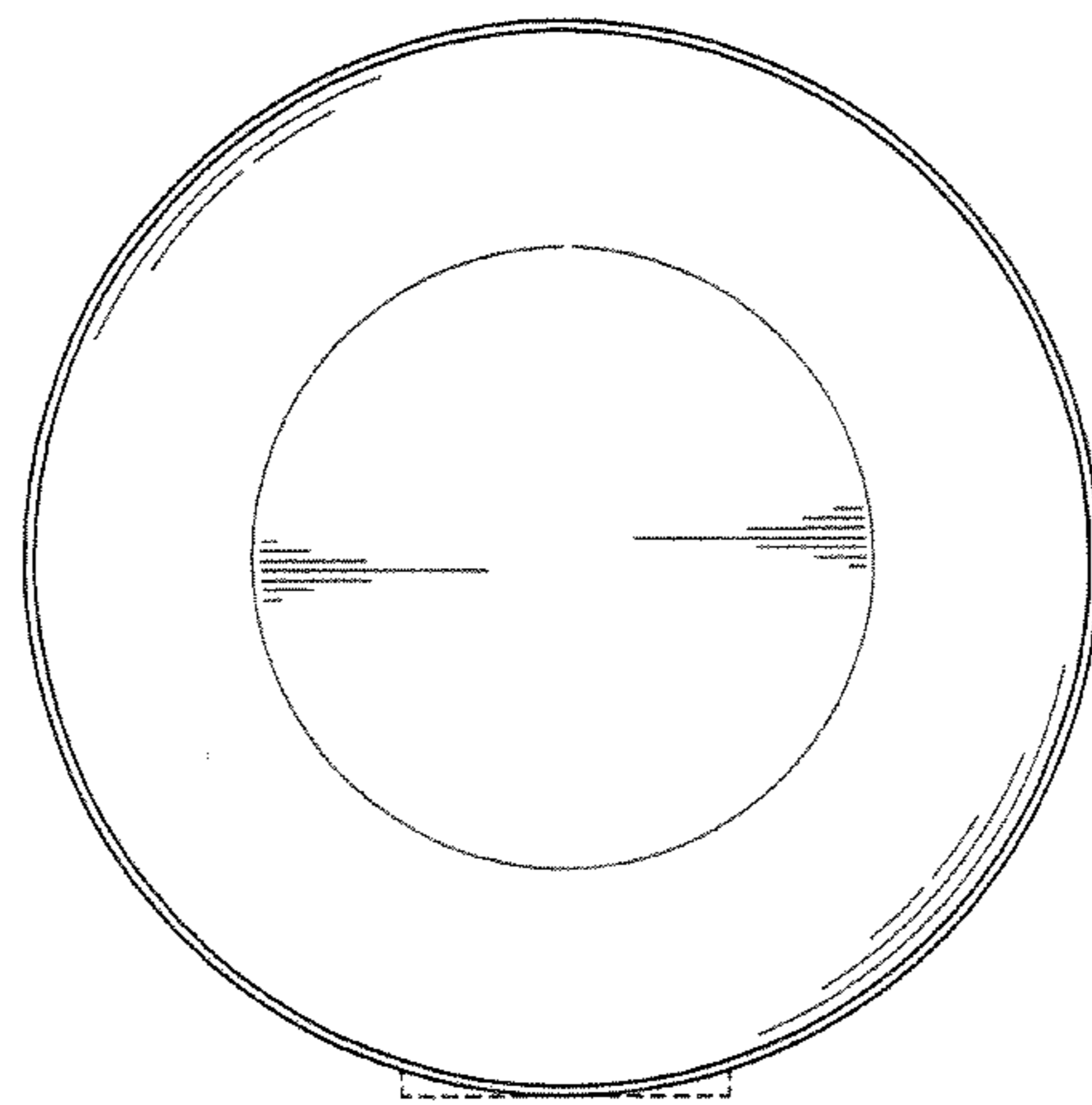


FIG. 2

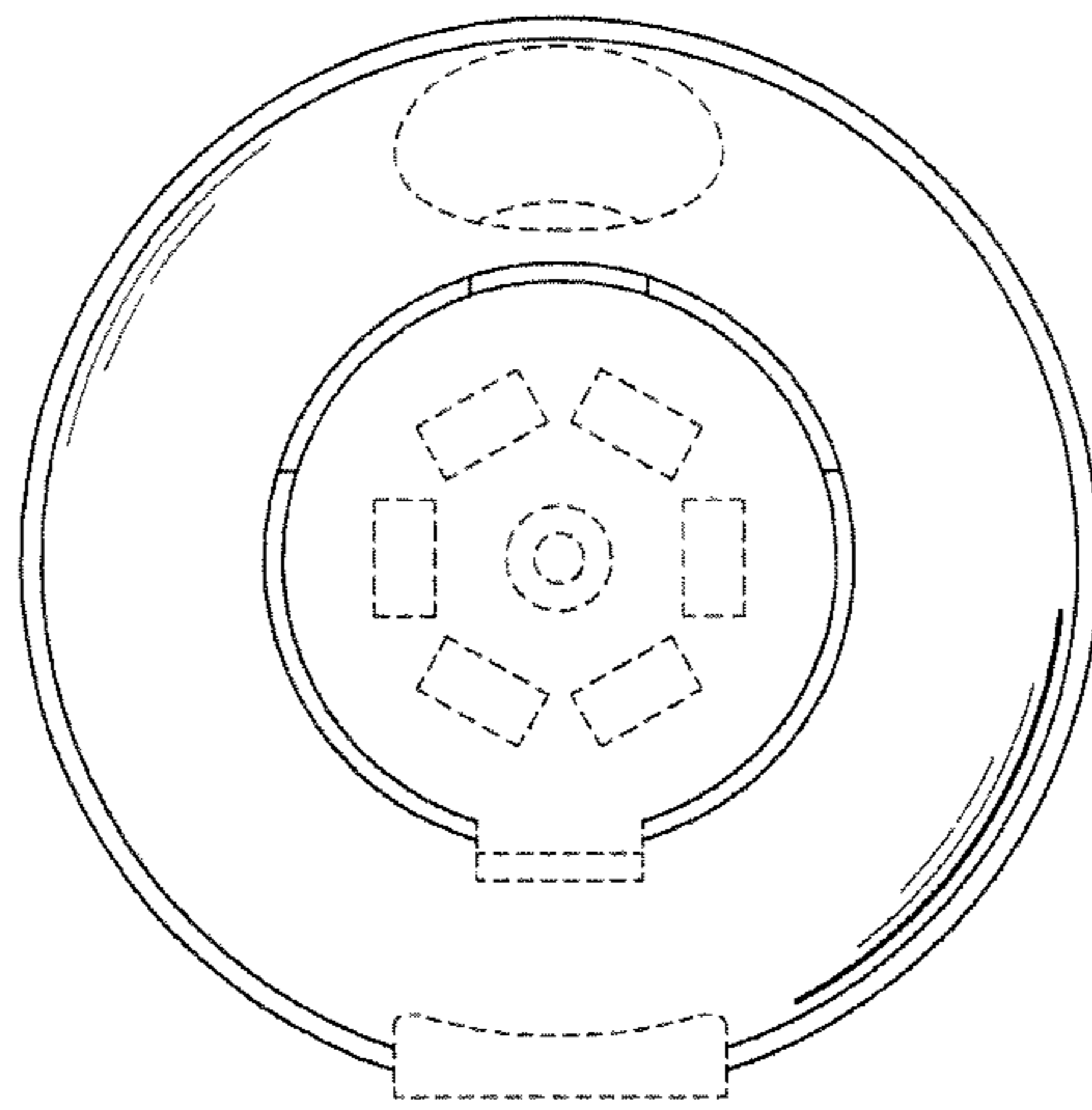


FIG. 3

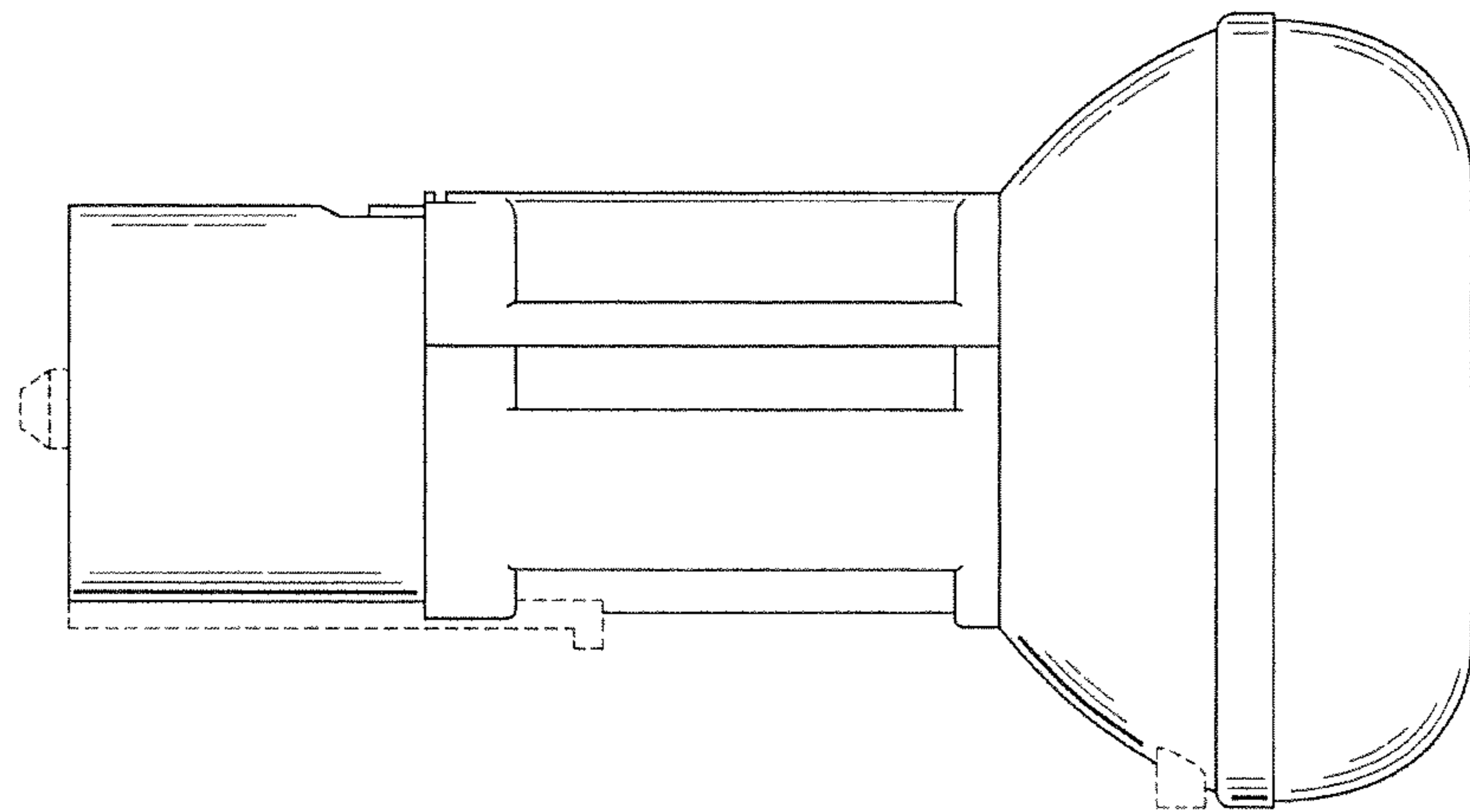


FIG. 4

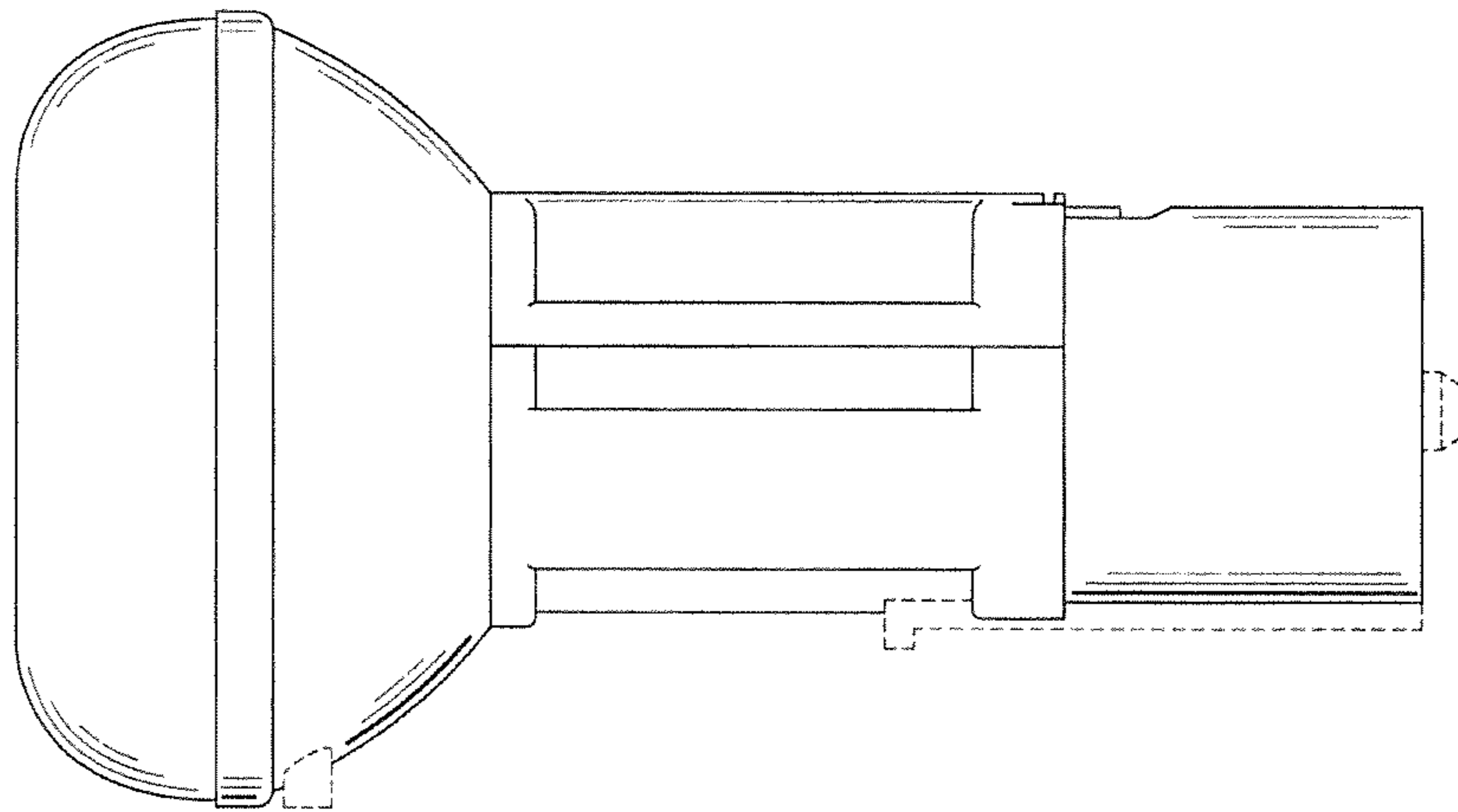


FIG. 5

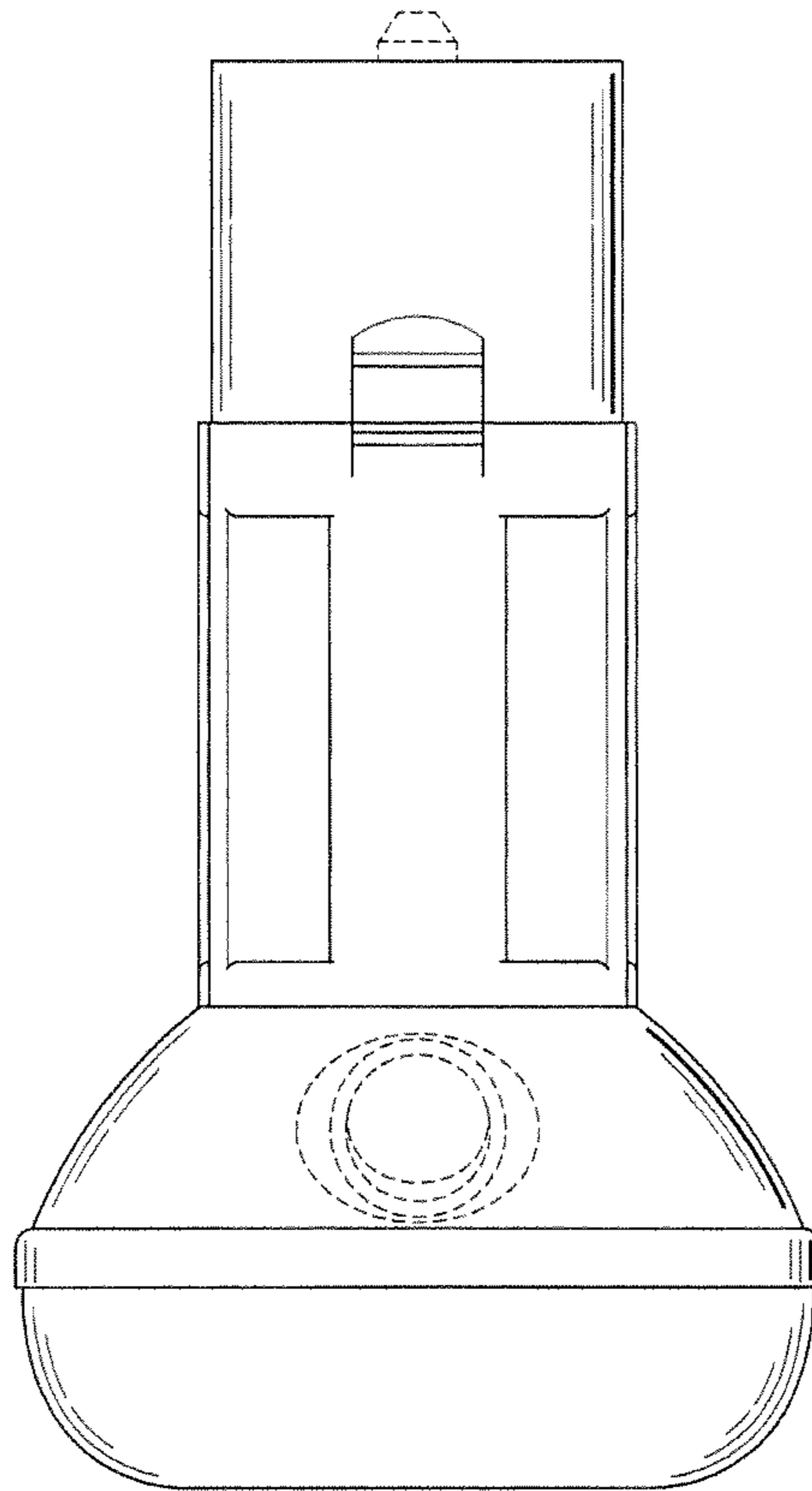


FIG. 6

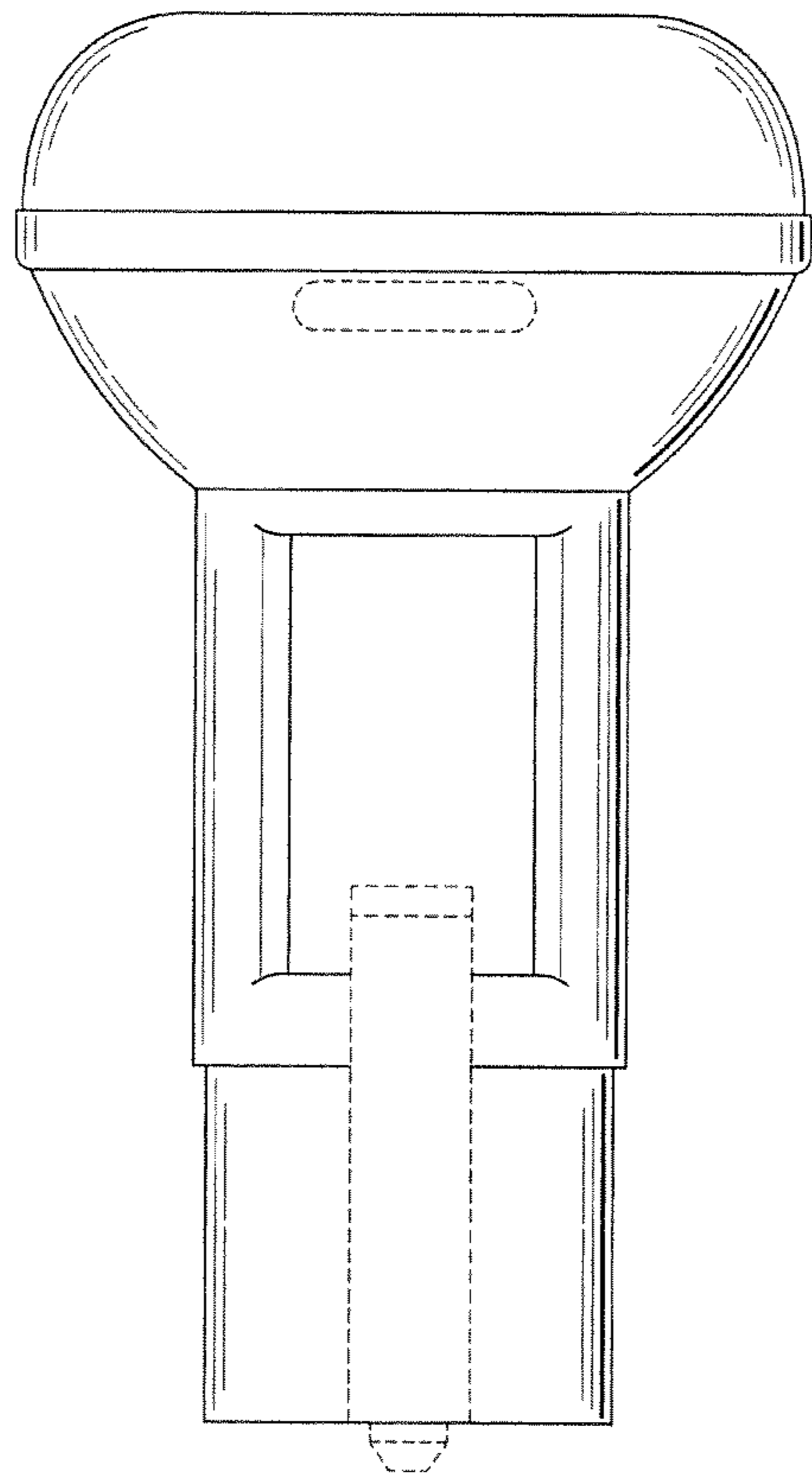


FIG. 7