



US00D764075S

(12) **United States Design Patent**
Honda

(10) **Patent No.:** **US D764,075 S**

(45) **Date of Patent:** **** Aug. 16, 2016**

- (54) **STARTER FITTING MEMBER**
- (71) Applicant: **Nichiha Corporation**, Nagoya-shi, Aichi (JP)
- (72) Inventor: **Takashi Honda**, Nagoya (JP)
- (73) Assignee: **NICHIHA CORPORATION**, Nagoya-Shi (JP)

D635,692 S *	4/2011	Wirthgen	D25/119
D644,339 S *	8/2011	Sutton	D25/121
D655,427 S *	3/2012	Sutton	D25/121
D660,461 S *	5/2012	Kotin	D25/119
D660,984 S *	5/2012	Kotin	D25/119
D740,968 S *	10/2015	Stanfill	D25/119
2003/0084619 A1 *	5/2003	Smith	E04H 4/101 52/102
2009/0211177 A1 *	8/2009	Grafton	E04B 7/02 52/93.1

(**) Term: **14 Years**

(21) Appl. No.: **29/513,254**

(22) Filed: **Dec. 29, 2014**

(51) **LOC (10) Cl.** **25-01**

(52) **U.S. Cl.**
USPC **D25/119**

(58) **Field of Classification Search**
USPC D25/114, 119, 124; 52/204.1, 204.2,
52/204.5, 204.53, 204.55, 214, 204.56,
52/208, 209; D20/42-44; D34/35
CPC E04F 13/00; E04F 13/06; E04F 19/00;
E04F 19/02; E04F 21/0038; E04B 1/38;
E04B 2/30

See application file for complete search history.

(56) **References Cited**

U.S. PATENT DOCUMENTS

D220,833 S *	6/1971	Haskell et al.	D25/119
D225,219 S *	11/1972	Dallaire et al.	D25/119
D300,566 S *	4/1989	Fein	D25/119
D315,605 S *	3/1991	Thornton	D25/119
D419,693 S *	1/2000	Hersh	D25/119
D420,149 S *	2/2000	Hersh	D25/119
6,253,507 B1 *	7/2001	Martino	E06B 1/06 52/204.1
D490,167 S *	5/2004	Eichner	D25/119
D518,186 S *	3/2006	Zarb	D25/119
D609,825 S *	2/2010	Clarke	D25/126

FOREIGN PATENT DOCUMENTS

JP 1316121 12/2007

* cited by examiner

Primary Examiner — Cynthia Ramirez

Assistant Examiner — Llorellys Martinez-Rivera

(74) *Attorney, Agent, or Firm* — Birch, Stewart, Kolasch & Birch, LLP

(57) **CLAIM**

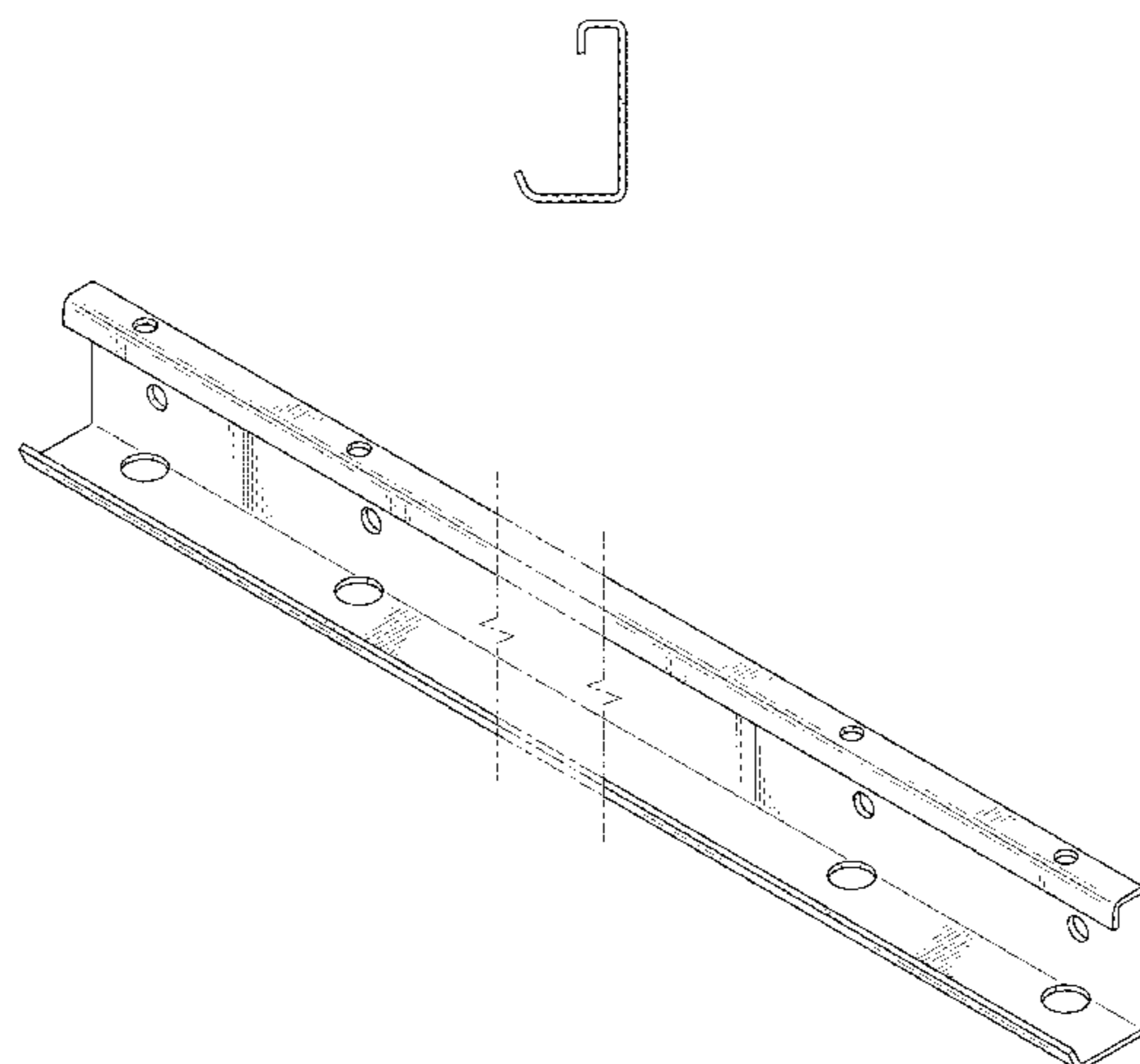
The ornamental design for a starter fitting member, as shown and described.

DESCRIPTION

FIG. 1 is a front view of a starter fitting member showing my new design;
FIG. 2 is a back view thereof;
FIG. 3 is a top view thereof;
FIG. 4 is a bottom view thereof;
FIG. 5 is a right side view thereof;
FIG. 6 is a left side view thereto; and,
FIG. 7 is a front, right perspective view thereof.

The starter fitting member is shown with a symbolic break in its length. The appearance of any portion of the starter fitting member between the break lines forms no part of the claimed design.

1 Claim, 6 Drawing Sheets



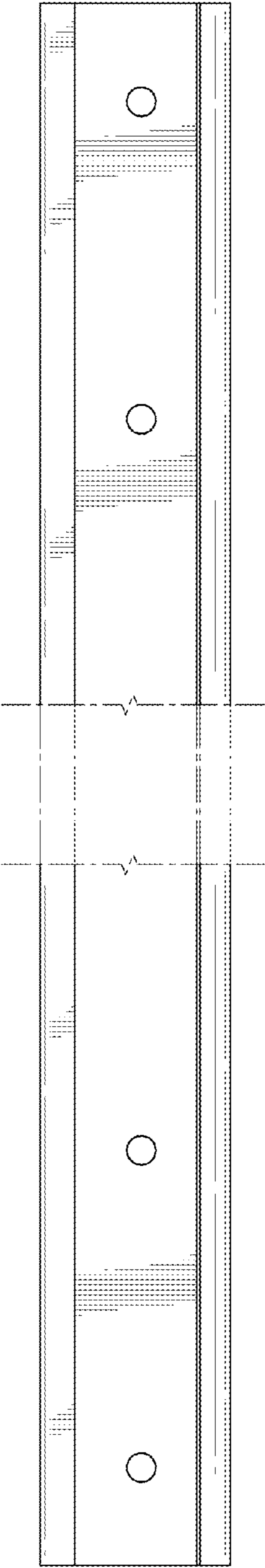


FIG.1

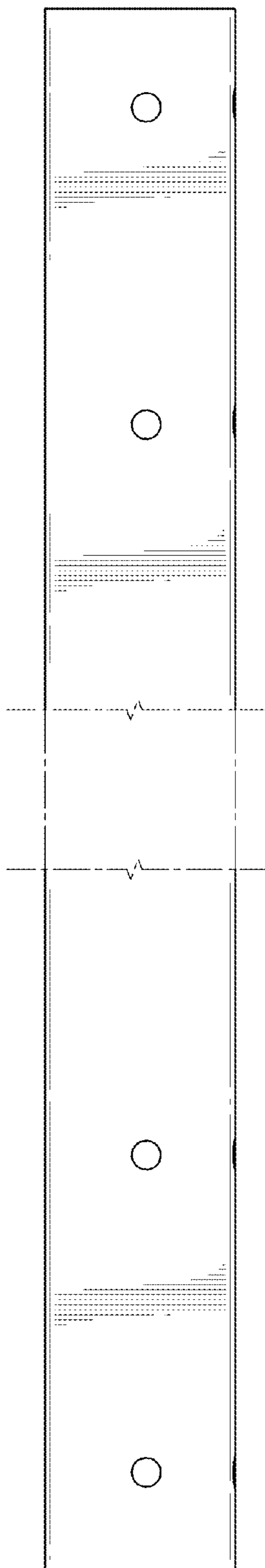


FIG. 2

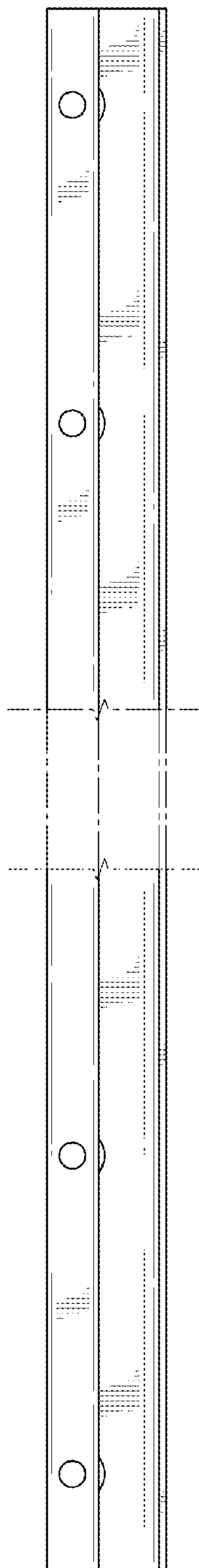


FIG.3

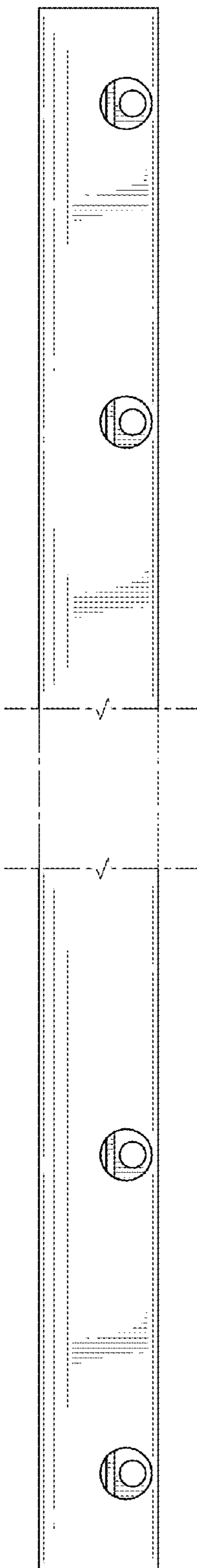


FIG.4

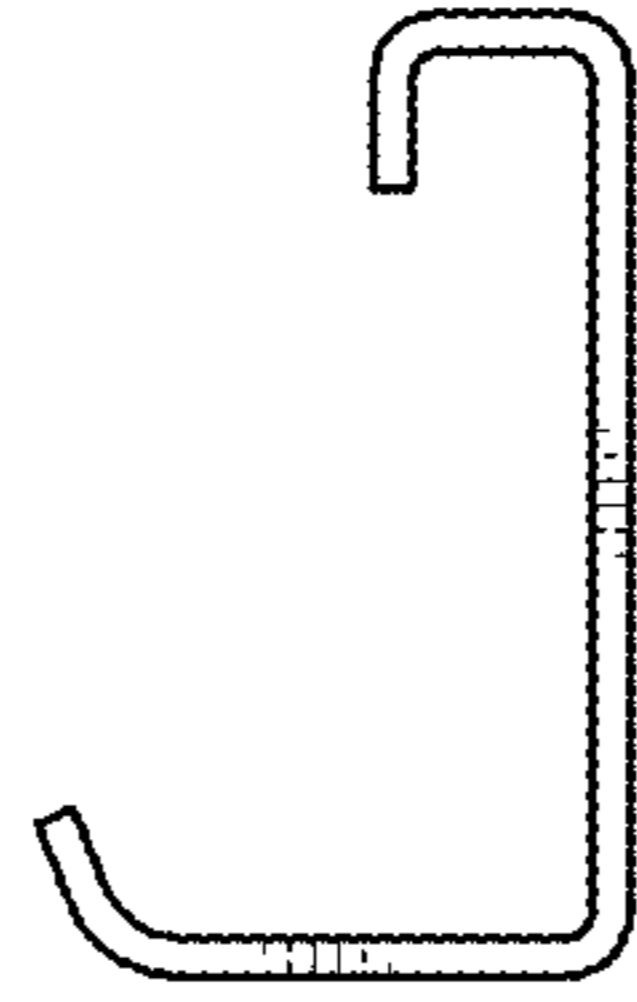


FIG. 5

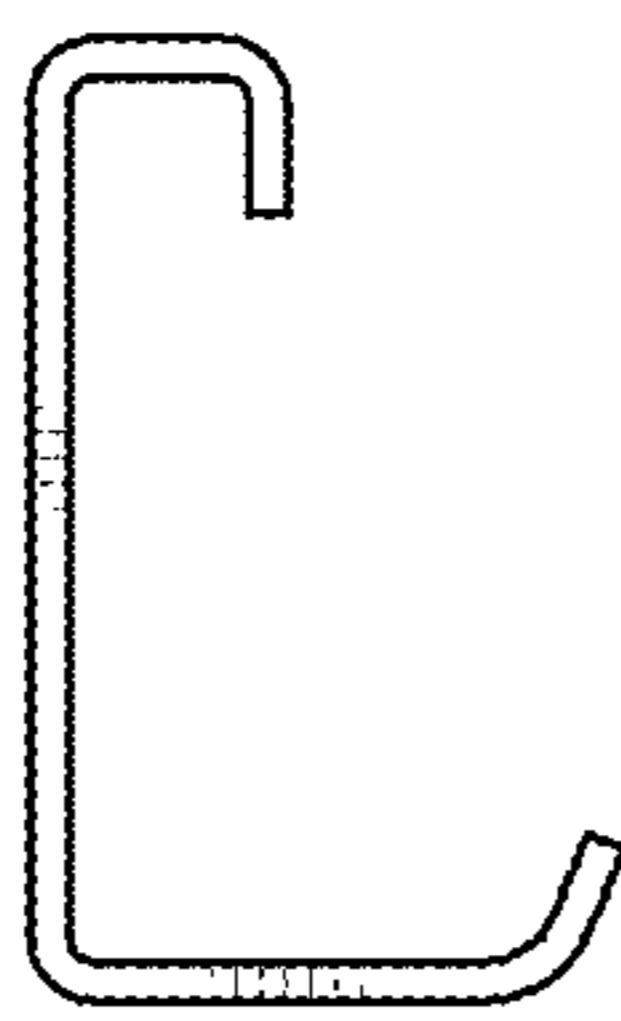


FIG. 6

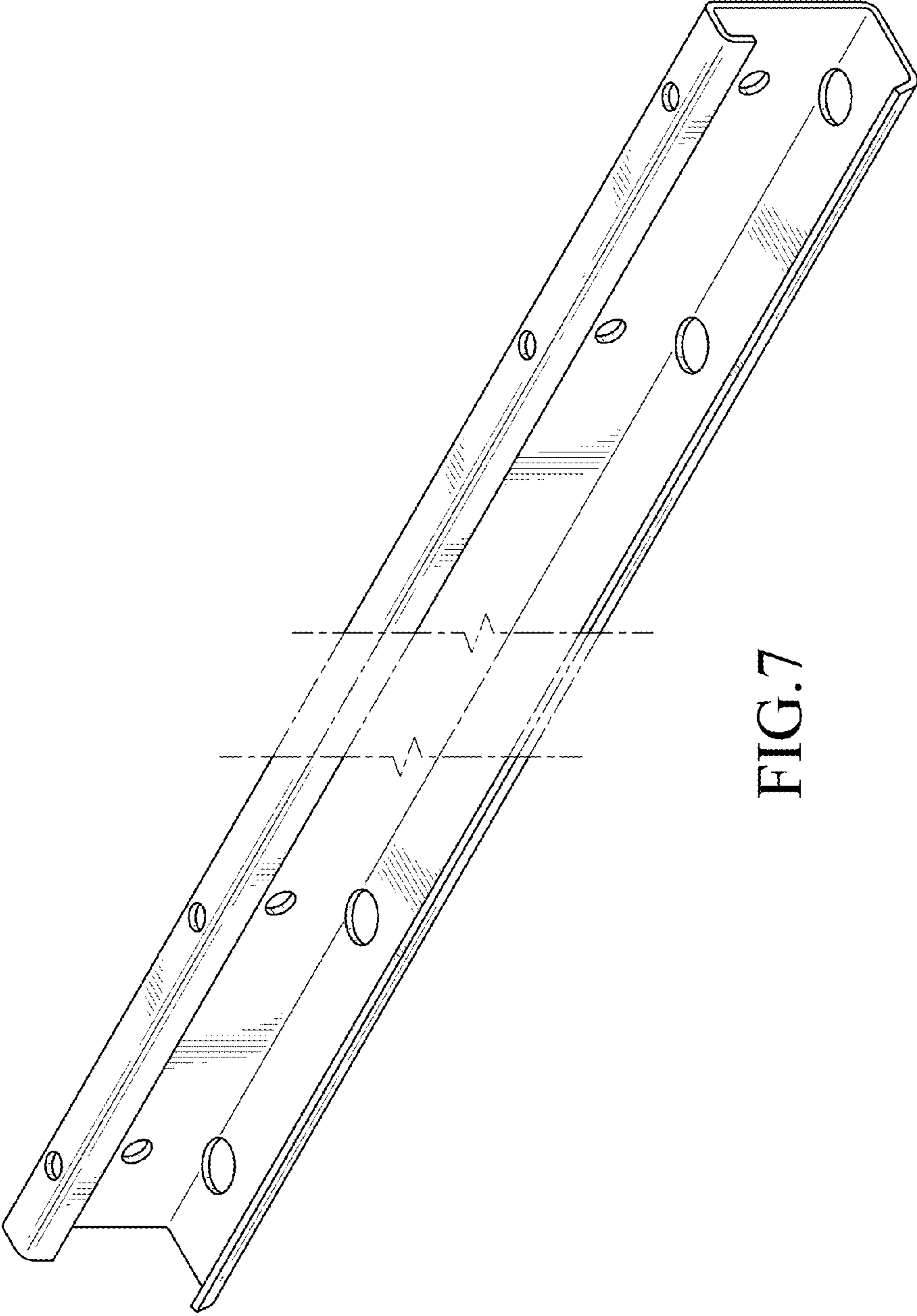


FIG.7