



US00D764074S

(12) **United States Design Patent**
Metcalf

(10) **Patent No.:** **US D764,074 S**

(45) **Date of Patent:** **** Aug. 16, 2016**

(54) **PANEL WITH WIRE PATTERN**

D170,535 S * 10/1953 Johnson D5/62

(Continued)

(71) Applicant: **3form, LLC**, Salt Lake City, UT (US)

OTHER PUBLICATIONS

(72) Inventor: **Elizabeth Egan Metcalf**, Salt Lake City, UT (US)

Furniture panels EU 002583013-0001 (Design—© Questel). orbit.com [online PDF] 4 pages. Registered Nov. 21, 2014 [retrieved on Aug. 31, 2015]. Retrieved from Internet: <http://sobjprd.questel.fr/export/QPTUJ214/pdf2/ea6f4d72-12a2-4f53-9ce8-1749d2b5973f-184711.pdf>.*

(Continued)

(73) Assignee: **3Form, LLC**, Salt Lake City, UT (US)

(**) Term: **14 Years**

(21) Appl. No.: **29/492,985**

(22) Filed: **Jun. 4, 2014**

Primary Examiner — Susan Bennett Hattan

Assistant Examiner — Marie Fast Horse

(74) *Attorney, Agent, or Firm* — Workman Nydegger

Related U.S. Application Data

(63) Continuation of application No. 14/120,421, filed on Mar. 11, 2014, now abandoned.

(51) **LOC (10) Cl.** **25-01**

(52) **U.S. Cl.**

USPC **D25/103**; D25/138

(58) **Field of Classification Search**

USPC D5/1–5, 7, 20, 32, 51, 54–56, 58,

D5/62–64, 99; D6/332, 575; D20/10, 42,

D20/99; 428/13, 46, 67, 81, 385; D3/306

CPC B32B 2419/00; B32B 2419/04; B32B

2451/00; B32B 2607/00; B32B 17/10247;

B32B 17/10256; B32B 17/10266; B32B

17/10275; B32B 17/10284; Y10T 428/24;

Y10T 428/24942; Y10T 428/24967; Y10T

428/31786; Y10T 428/3179; Y10T 428/31971;

Y10T 428/31986; B44C 5/04; B44C 5/0407;

B44C 5/0423; B44C 5/0461; B44C 5/0469;

B44C 5/0476; B44C 5/0484; B44C 5/1492;

B44C 3/02

See application file for complete search history.

(56) **References Cited**

U.S. PATENT DOCUMENTS

D111,102 S * 8/1938 Zavell D5/20

(57) **CLAIM**

The ornamental design for a panel with wire pattern, as shown and described.

DESCRIPTION

FIG. 1 is a front view of a panel with wire pattern as used in a partition structure;

FIG. 2 is an enlarged front perspective, sectional view of the panel with wire pattern taken from the shaded area of FIG. 1;

FIG. 3 is an enlarged front elevational, section view thereof, reference to the sectional side and plan views of FIGS. 4-7;

FIG. 4 is an enlarged left side sectional view taken along line 4-4 of FIG. 3;

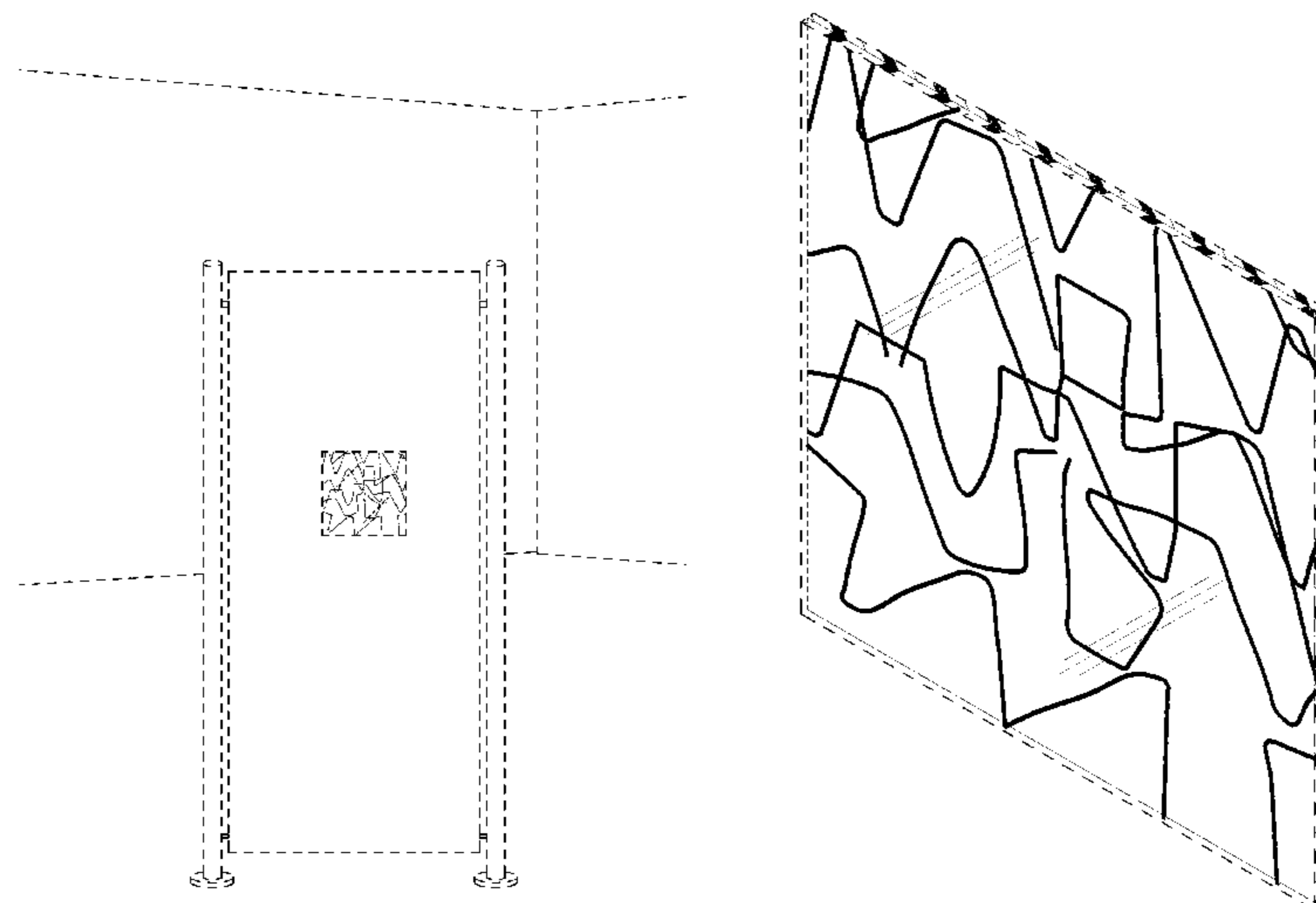
FIG. 5 is an enlarged right side sectional view taken along line 5-5 of FIG. 3;

FIG. 6 is an enlarged top plan sectional view taken along line 6-6 of FIG. 3; and,

FIG. 7 is an enlarged bottom plan sectional view taken along line 7-7 of FIG. 3.

The broken lines adjacent to the shaded areas depict the bounds of the claim and all other broken lines depict environmental subject matter. All broken lines form no part of the claimed design.

1 Claim, 3 Drawing Sheets



US D764,074 S

Page 2

(56)

References Cited

U.S. PATENT DOCUMENTS

D181,426 S * 11/1957 Murray D25/138
2,880,112 A * 3/1959 Drelich D04H 1/60
162/184
D188,162 S * 6/1960 Martin et al. D5/62
D202,498 S * 10/1965 Lansky D25/141
D401,096 S * 11/1998 Wichser D5/51
D531,738 S * 11/2006 Folliard D25/163
D574,836 S * 8/2008 Koh D14/440
D608,024 S * 1/2010 Canales D25/138
D608,025 S * 1/2010 Canales D25/138
D608,476 S * 1/2010 Canales D25/138
D631,988 S * 2/2011 Martin D25/138
D652,960 S * 1/2012 Canales D25/138
D689,488 S * 9/2013 Halsinger D14/389
D707,370 S * 6/2014 Schober D25/111
D707,854 S * 6/2014 Schober D25/111
D710,518 S * 8/2014 Reese D25/104
D728,829 S * 5/2015 Canales D25/111
9,097,015 B2 * 8/2015 Moore E04C 2/26

2002/0037394 A1* 3/2002 Heckel B44C 5/04
428/156
2003/0113485 A1* 6/2003 Schober B32B 3/08
428/13
2004/0096623 A1* 5/2004 Hashiba B27N 3/002
428/114
2012/0048487 A1* 3/2012 Brewster B32B 3/12
160/368.1

OTHER PUBLICATIONS

Dance Product Series.(Mbaye) 3-form.com [online] 2 pages.
[retrieved on Aug. 31, 2015] Retrieved from Internet: <http://www.3-form.com/materials/varia_ecoresin/full_circle/product_stories/dance/>.*
3form_S-Brochure-Materials_15_Summer. (Mbaye) 3-form.com
[online PDF] pp. 15-23 and 42 of 74. May 2014 [retrieved on Aug. 31,
2015] Retrieved from Internet: <http://www.3-form.com/downloads/3form_S-BROCHURE-MATERIALS_15_SUMMER.pdf>.*

* cited by examiner

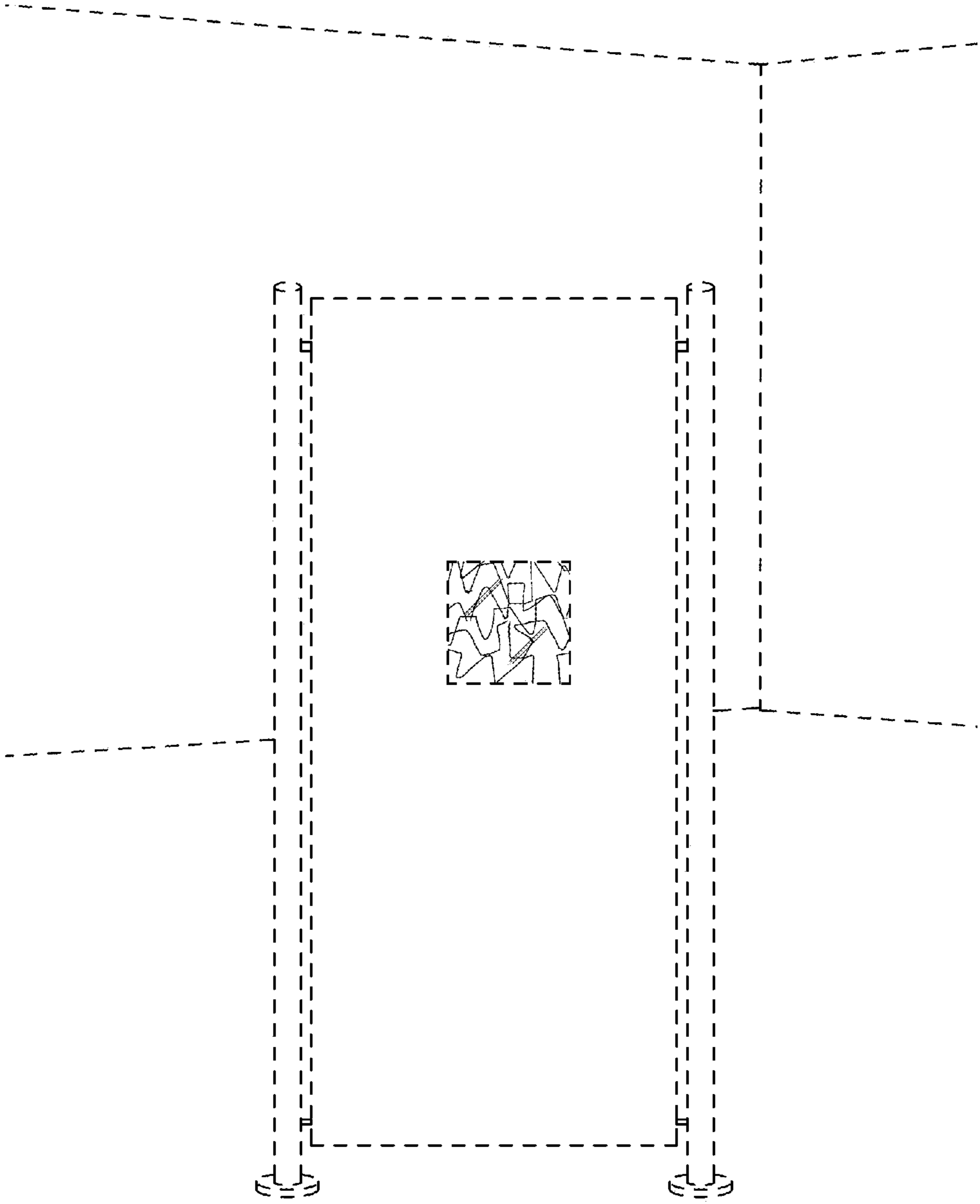


FIG. 1

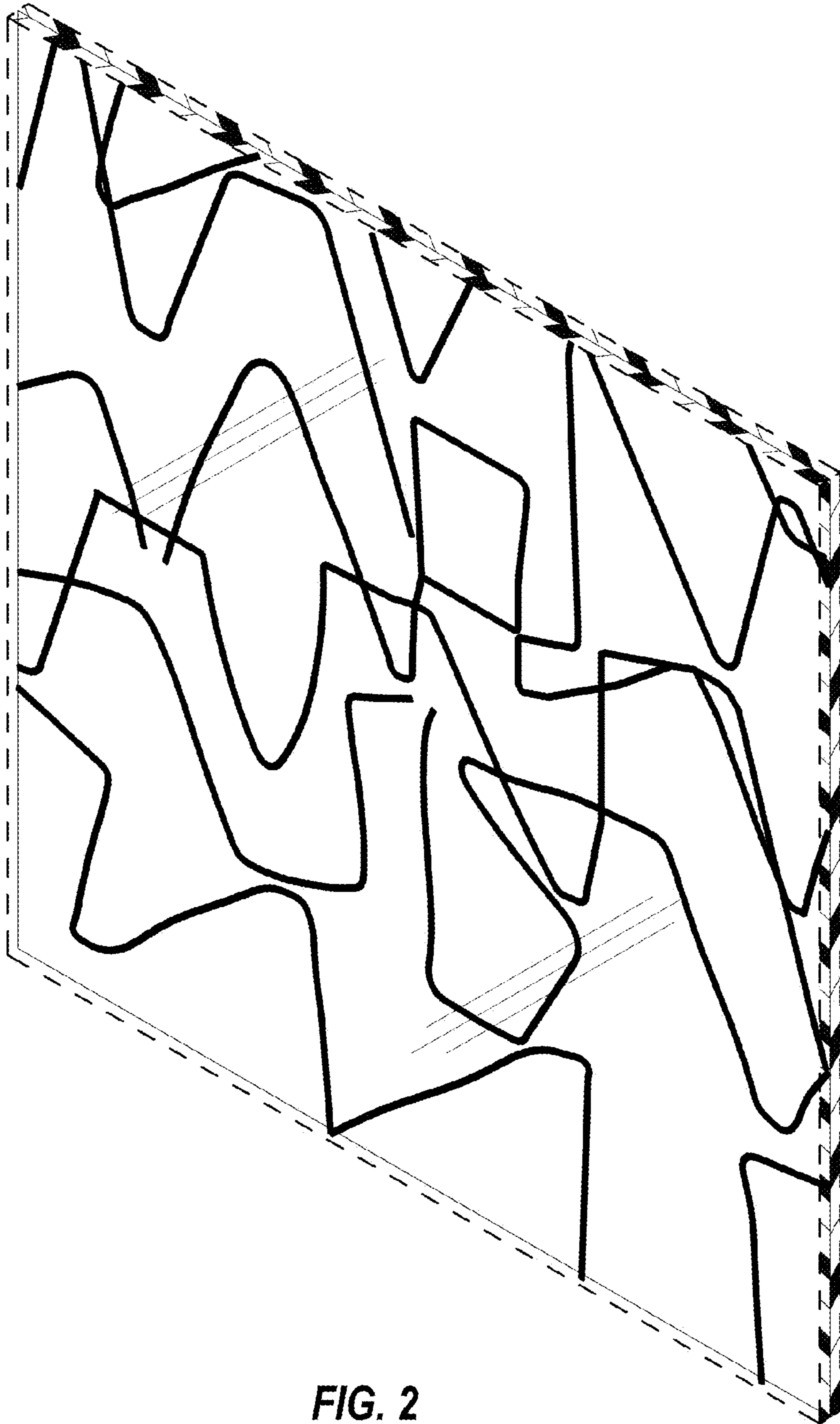


FIG. 2

