



US00D764073S

(12) **United States Design Patent**
Wang

(10) **Patent No.:** **US D764,073 S**

(45) **Date of Patent:** **** Aug. 16, 2016**

- (54) **WORKING LADDER**
- (71) Applicant: **Ningbo Xingfu Tools Co., Ltd.**, Ningbo (CN)
- (72) Inventor: **Wanxing Wang**, Ningbo (CN)
- (73) Assignee: **Ningbo Xingfu Tools Co., Ltd.**, Ningbo (CN)
- (**) Term: **14 Years**
- (21) Appl. No.: **29/525,285**
- (22) Filed: **Apr. 28, 2015**

5,915,498	A *	6/1999	Figliuzzi	E06C 1/20	182/165
6,779,632	B1 *	8/2004	Parks, III	E06C 1/39	182/200
D523,155	S *	6/2006	Shoultz	D25/64	
D562,991	S *	2/2008	Meyers	D25/65	
D565,745	S *	4/2008	Meyers	D25/65	
D706,455	S *	6/2014	Buchanan	D25/64	
2003/0057019	A1 *	3/2003	Schmitt	E06C 1/39	182/18
2004/0231920	A1 *	11/2004	Meeker	E06C 7/087	182/165
2012/0073903	A1 *	3/2012	Krause	E06C 7/146	182/159
2014/0332316	A1 *	11/2014	Tiber	E06C 7/14	182/129

* cited by examiner

- (30) **Foreign Application Priority Data**
- Feb. 13, 2015 (EM) 2633198
- (51) **LOC (10) Cl.** **25-04**
- (52) **U.S. Cl.**
- USPC **D25/65**
- (58) **Field of Classification Search**
- USPC D25/62-69; 182/21, 67.4, 93, 33, 129, 182/172, 165, 204, 200, 194, 209, 210, 182/180.1, 186.8, 195, 207, 159, 152, 163, 182/156, 20, 25, 102, 115, 112, 120, 206, 182/64.1, 186.7, 189, 105, 116, 124, 178.2
- CPC E06C 5/04; E06C 1/39; E06C 1/12; E06C 7/188; E06C 7/00; E06C 7/44; E06C 7/16
- See application file for complete search history.

Primary Examiner — Cynthia Ramirez
Assistant Examiner — Gino Colan
 (74) *Attorney, Agent, or Firm* — Wang Law Firm, Inc.

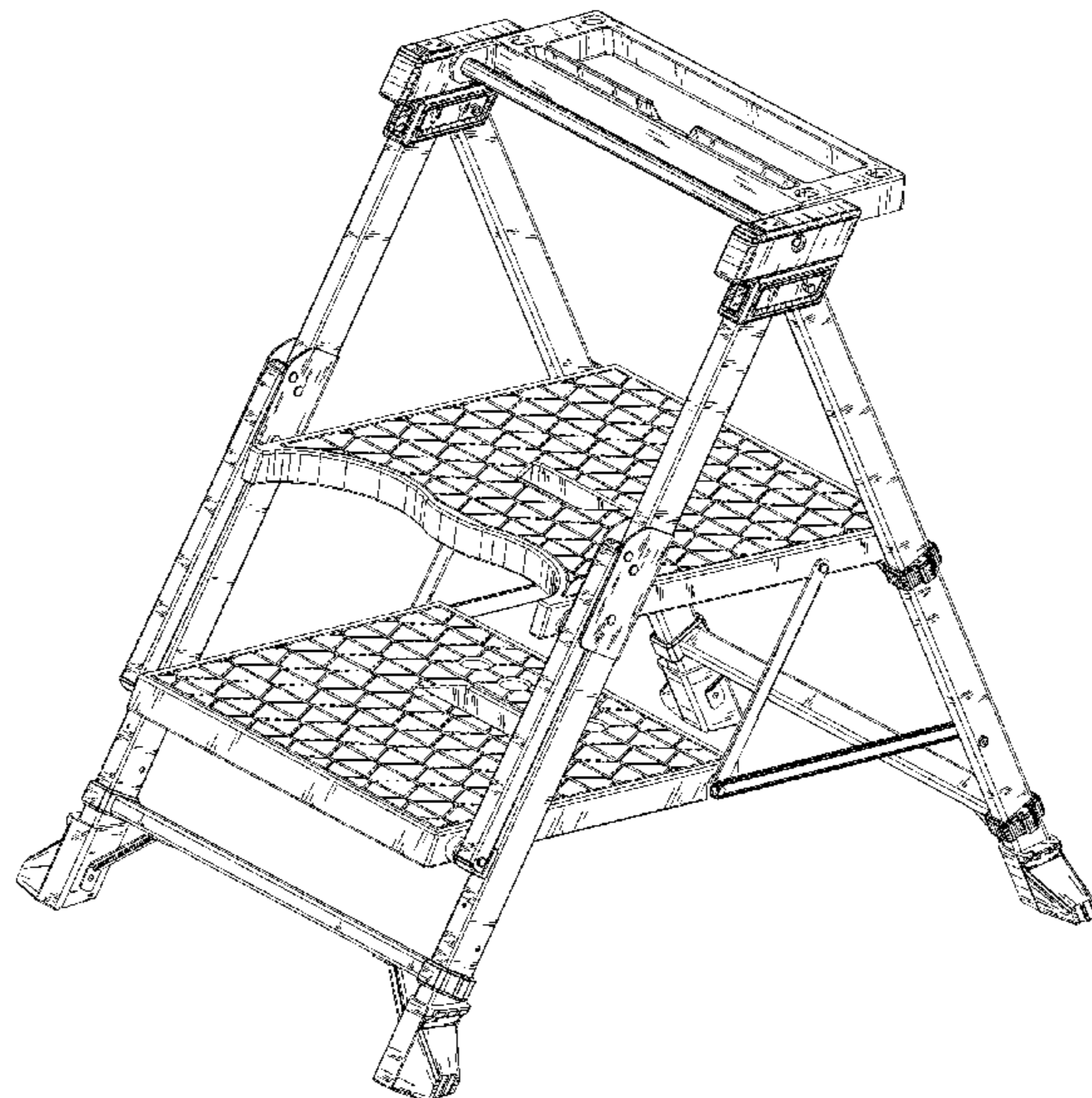
(57) **CLAIM**
 The ornamental design for a working ladder, as shown and described.

DESCRIPTION

FIG. 1 is a left view showing my new design;
 FIG. 2 is a front view thereof;
 FIG. 3 is a rear view thereof;
 FIG. 4 is a top view thereof;
 FIG. 5 is a right view thereof;
 FIG. 6 is a front perspective view thereof;
 FIG. 7 is a rear perspective view of the working ladder with the lower step flipped over the upper step;
 FIG. 8 is a front perspective view of the working ladder when folded; and,
 FIG. 9 is a front perspective view of the working ladder with the handle frame raised.

- (56) **References Cited**
- U.S. PATENT DOCUMENTS
- 4,276,955 A * 7/1981 Hickman A47C 12/00 182/129
- 5,181,583 A * 1/1993 Platt E06C 1/16 182/112

1 Claim, 9 Drawing Sheets



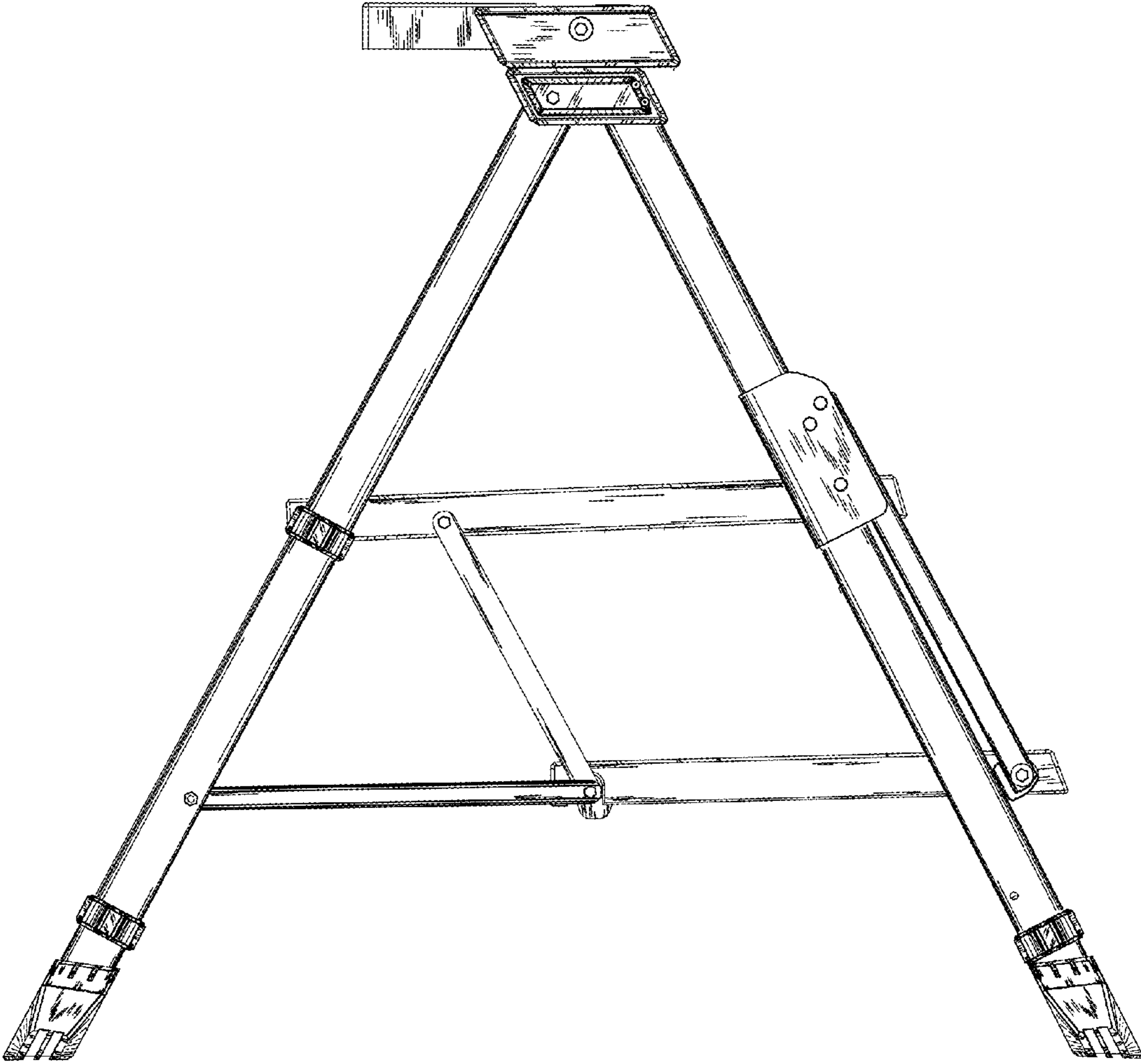


FIG. 1

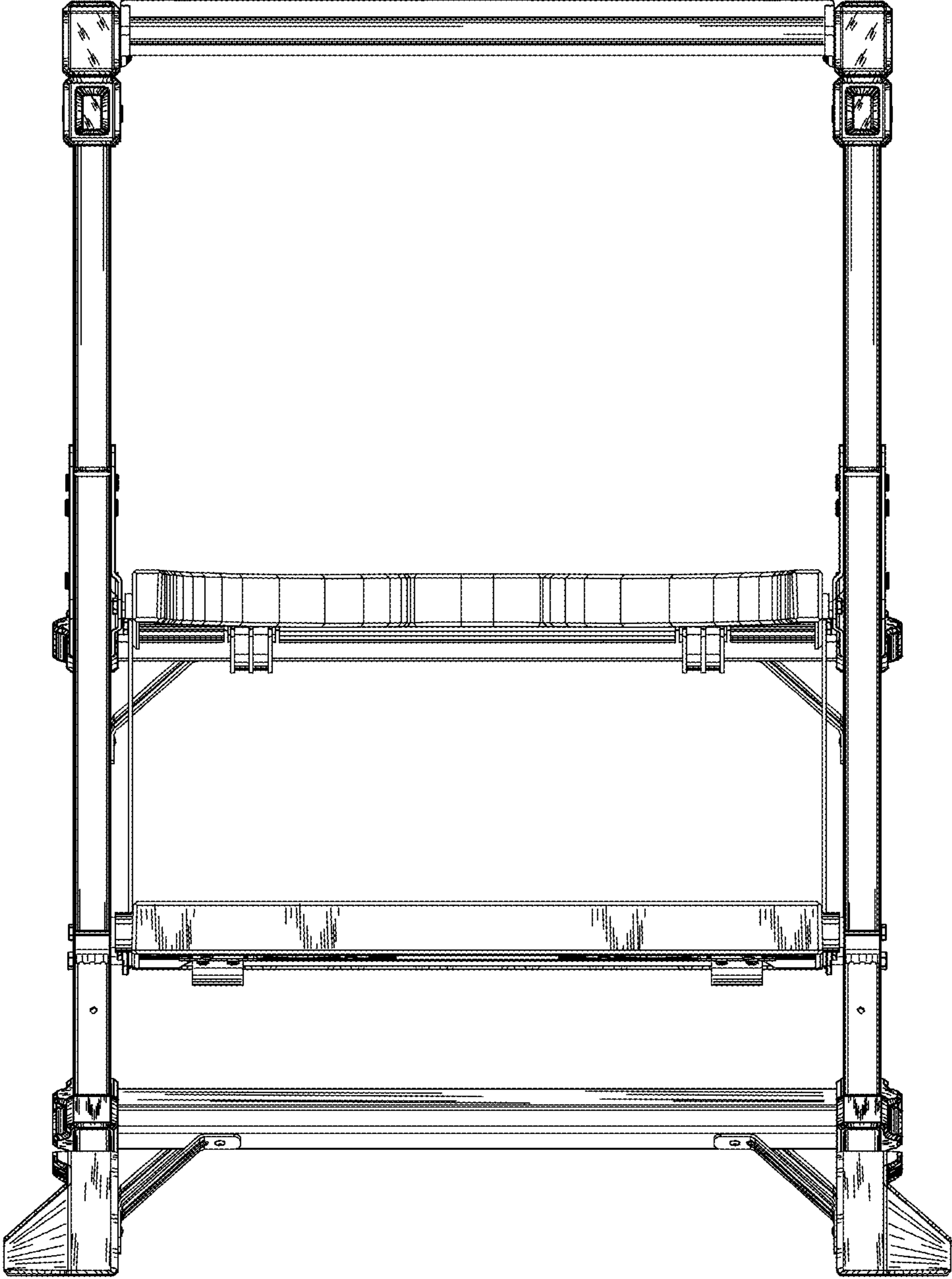


FIG. 2

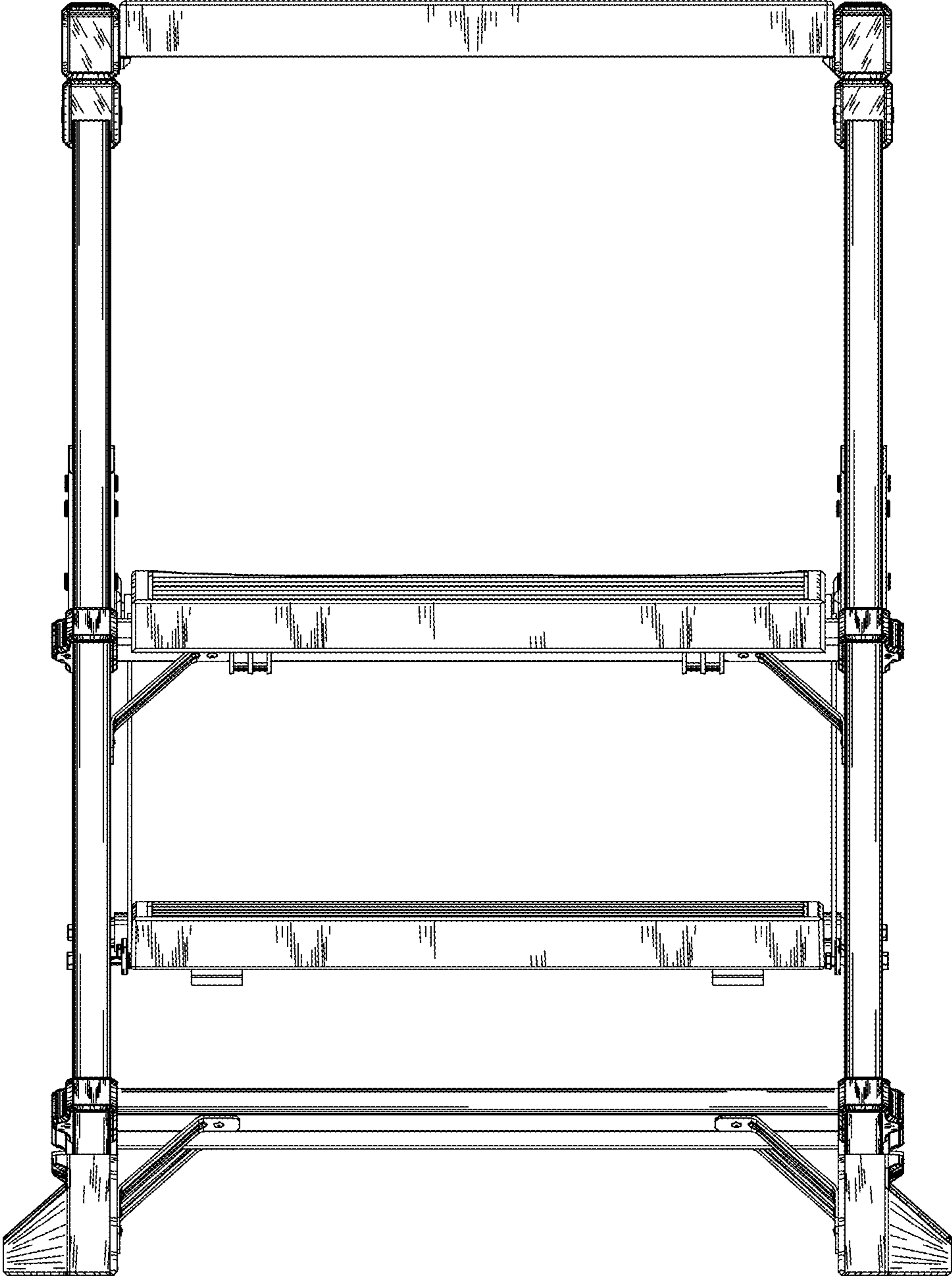


FIG. 3

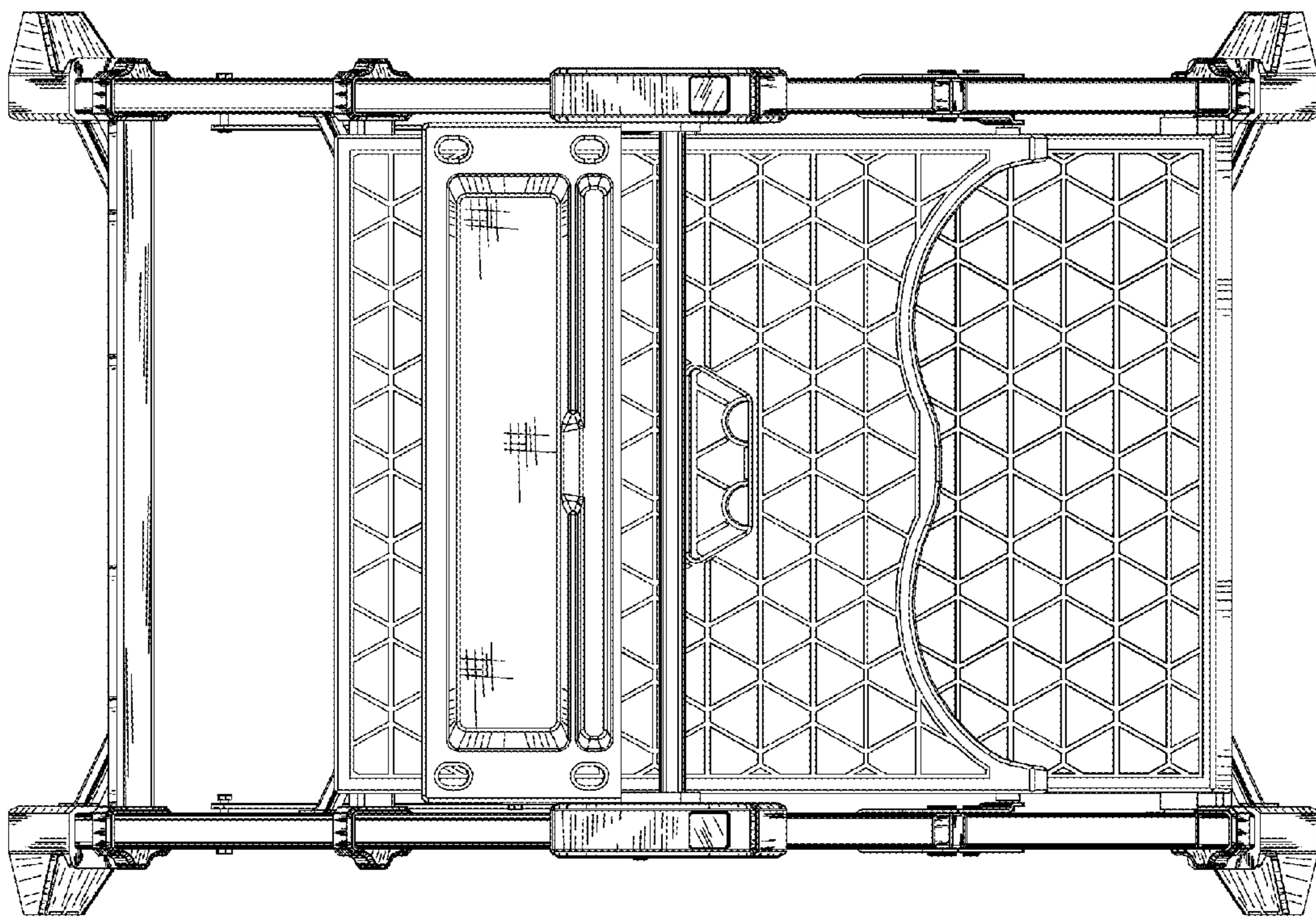


FIG. 4

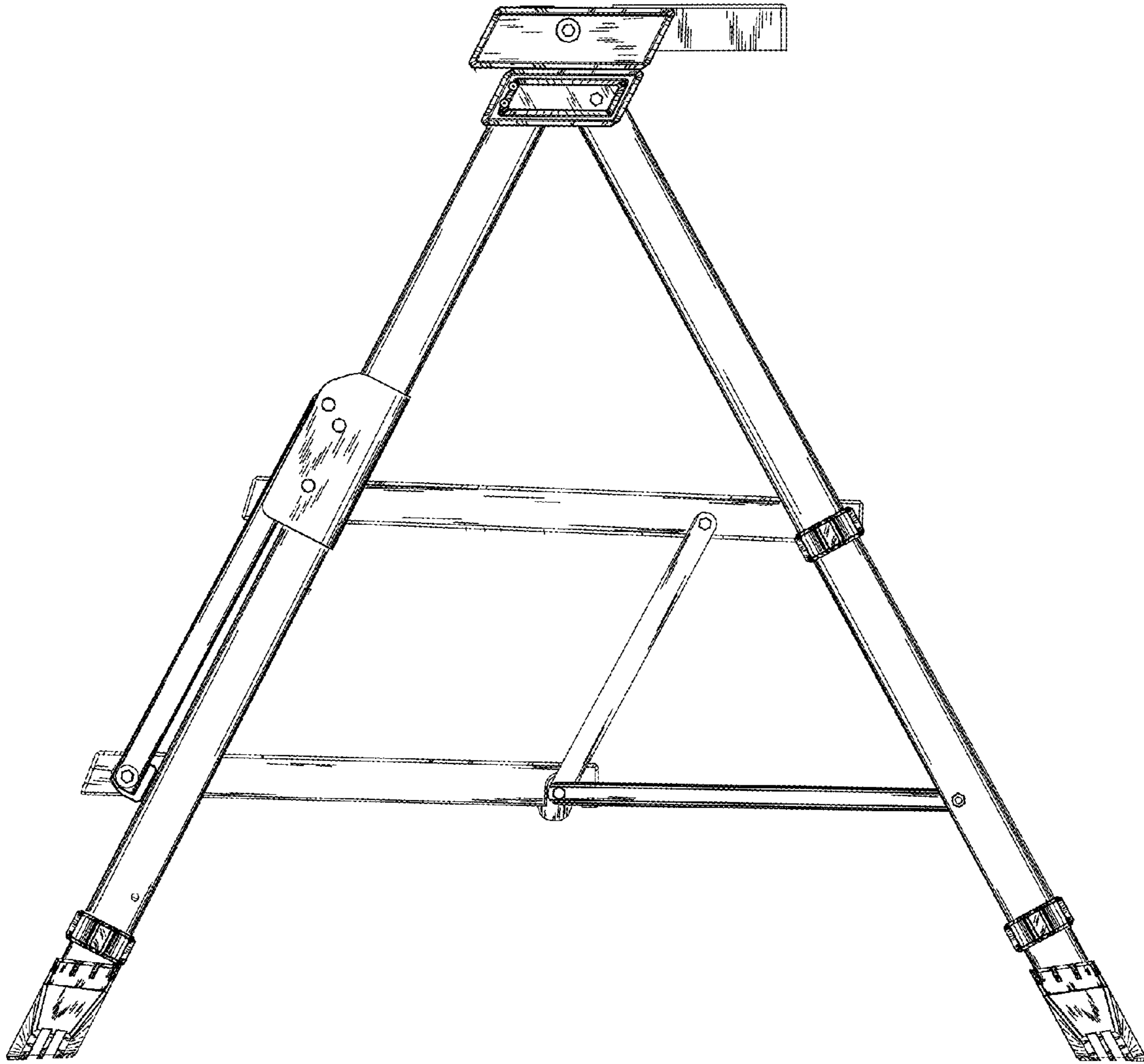


FIG. 5



FIG. 6



FIG. 7

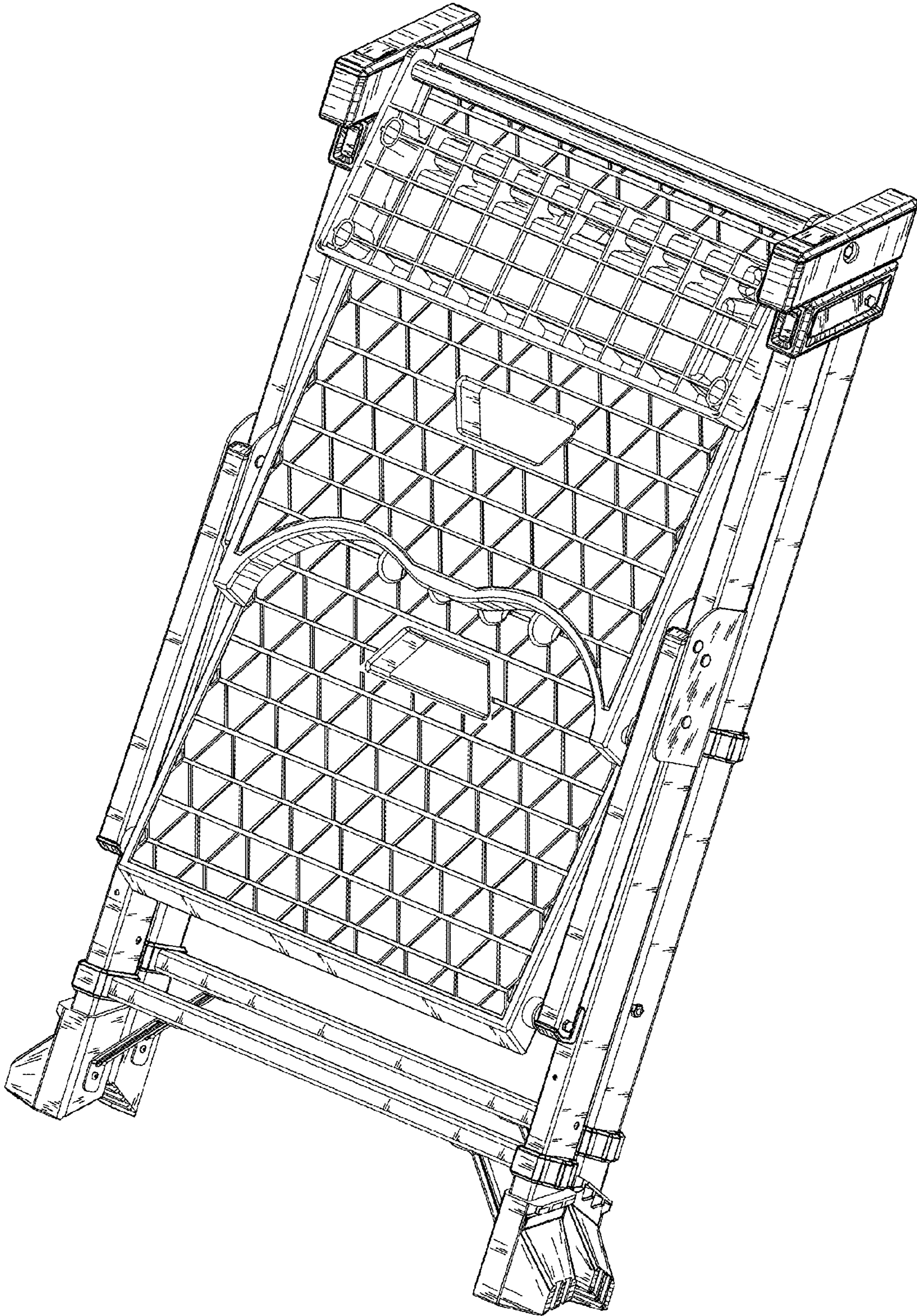


FIG. 8

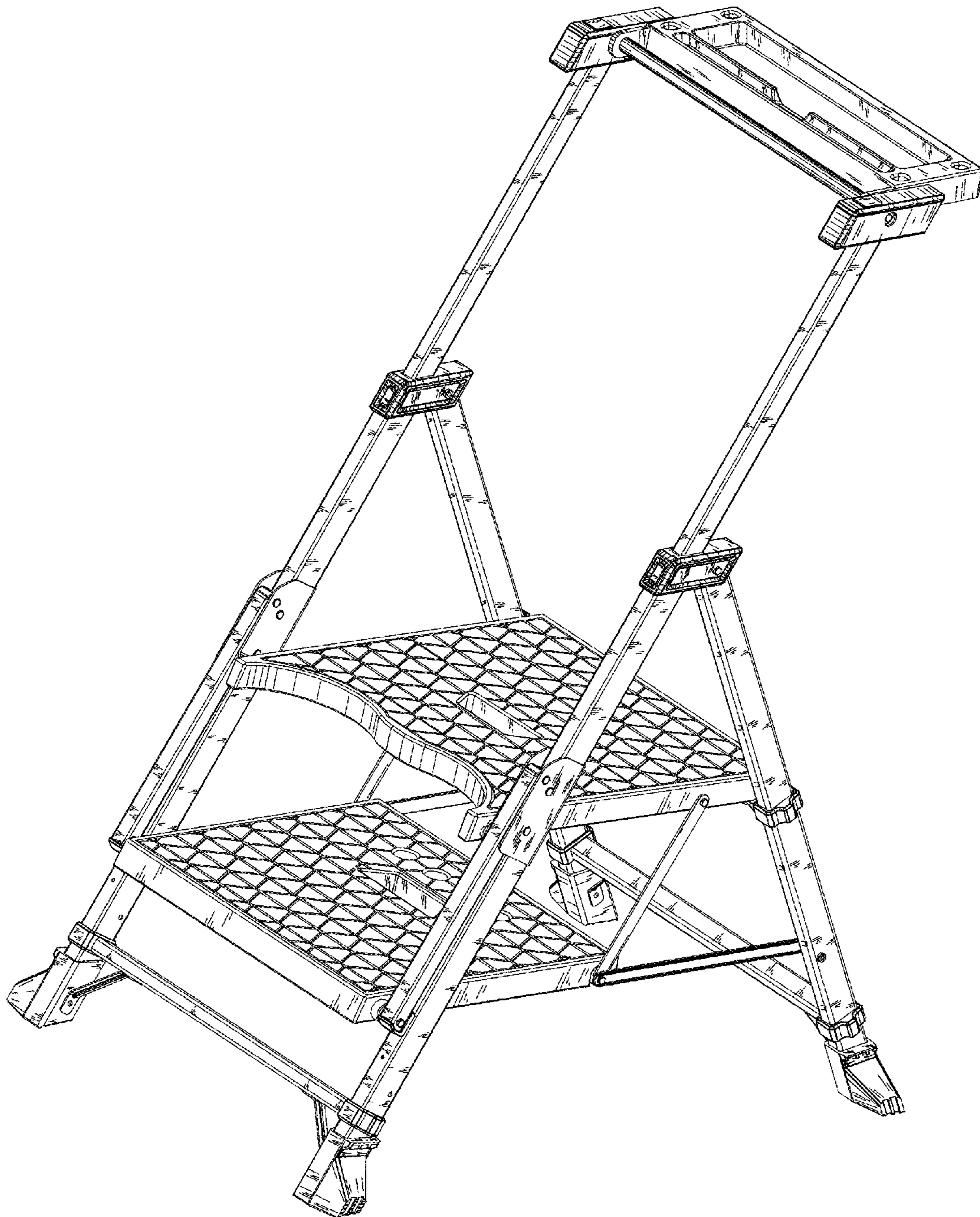


FIG. 9