



US00D764070S

(12) **United States Design Patent**
Lussier

(10) **Patent No.:** **US D764,070 S**
(45) **Date of Patent:** **** Aug. 16, 2016**

(54) **BASE SHOE FOR RAILINGS**

(71) Applicant: **Alumidek Inc.**, Montreal (CA)

(72) Inventor: **Patrick Lussier**, Montreal (CA)

(73) Assignee: **Alumidek Inc.**, Montreal (CA)

(**) Term: **14 Years**

(21) Appl. No.: **29/511,817**

(22) Filed: **Dec. 15, 2014**

(51) **LOC (10) Cl.** **D25-02**

(52) **U.S. Cl.**
USPC **D25/38.1**; D25/133

(58) **Field of Classification Search**
USPC D25/38.1, 39, 40, 41.1, 42, 43, 44, 45,
D25/46
CPC E04F 11/1842; E04F 2011/1887;
E04F 11/181; E04F 2011/1897; E04F
11/1838; E04H 17/1434; E04H 17/24; E04H
2017/1478

See application file for complete search history.

(56) **References Cited**

U.S. PATENT DOCUMENTS

- 5,364,076 A * 11/1994 Nicholls E04H 17/1421
256/22
- D553,956 S * 10/2007 Jones D8/355
- D599,915 S * 9/2009 Godwin D25/133
- D610,718 S * 2/2010 Ringus D25/133
- 8,033,530 B2 * 10/2011 Timothy E04F 11/181
256/22
- D673,306 S * 12/2012 Chung D25/133

OTHER PUBLICATIONS

<http://alumidek.com/wp-content/uploads/2015/09/>—Published Oct. 27, 2015.*

<http://www.allstairs.net/balusters/iron-balusters/iron-baluster-accessories/iron-baluster-shoes?zenid=843ab560b9cfb8b06d3af2fede2bff43>—Downloaded Jan. 4, 2016.*

<http://www.andythornton.com/en-Uk/products/metalwork/balusters-railings-panels/atdcba94/angled-baluster-shoe>—Downloaded Jan. 4, 2016.*

Series D, Model DI-04 Catalog found on www.alumidek.com—Downloaded Jan. 4, 2016.*

* cited by examiner

Primary Examiner — Manpreet Matharu

Assistant Examiner — Mojtaba Tehrani

(74) *Attorney, Agent, or Firm* — Agence de Brevets Fournier

(57) **CLAIM**

I claim the ornamental design for a base shoe for railings, as shown and described.

DESCRIPTION

FIG. 1 is a perspective view of the base shoe for railings showing my new design;

FIG. 2 is a right elevation view thereof;

FIG. 3 is a left elevation view thereof;

FIG. 4 is a front elevation view thereof;

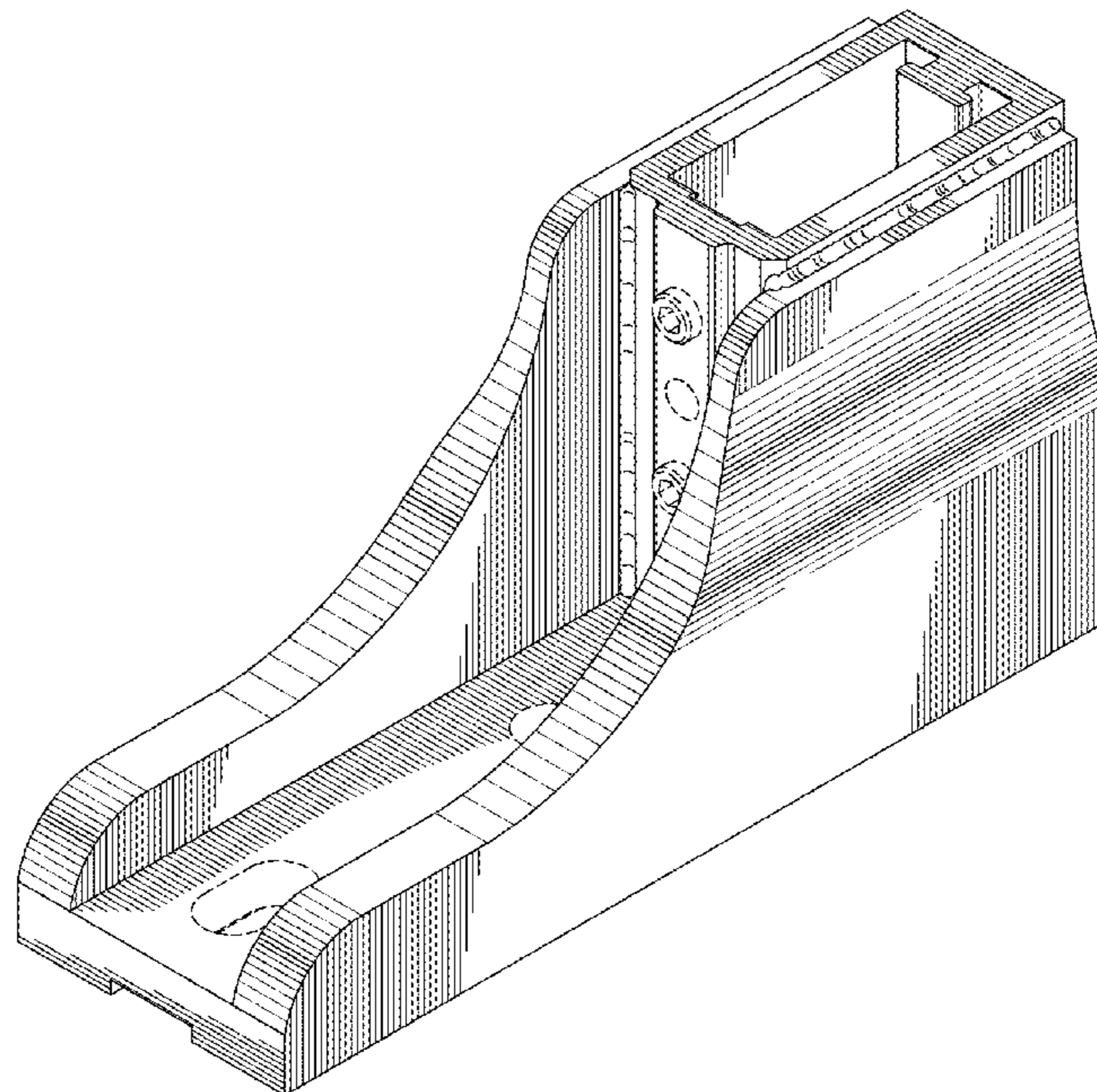
FIG. 5 is a rear elevation thereof;

FIG. 6 is a top plan view thereof; and,

FIG. 7 is a bottom plan view thereof.

The broken lines in the figure drawings represent unclaimed environment only and form no part of the claimed design.

1 Claim, 5 Drawing Sheets



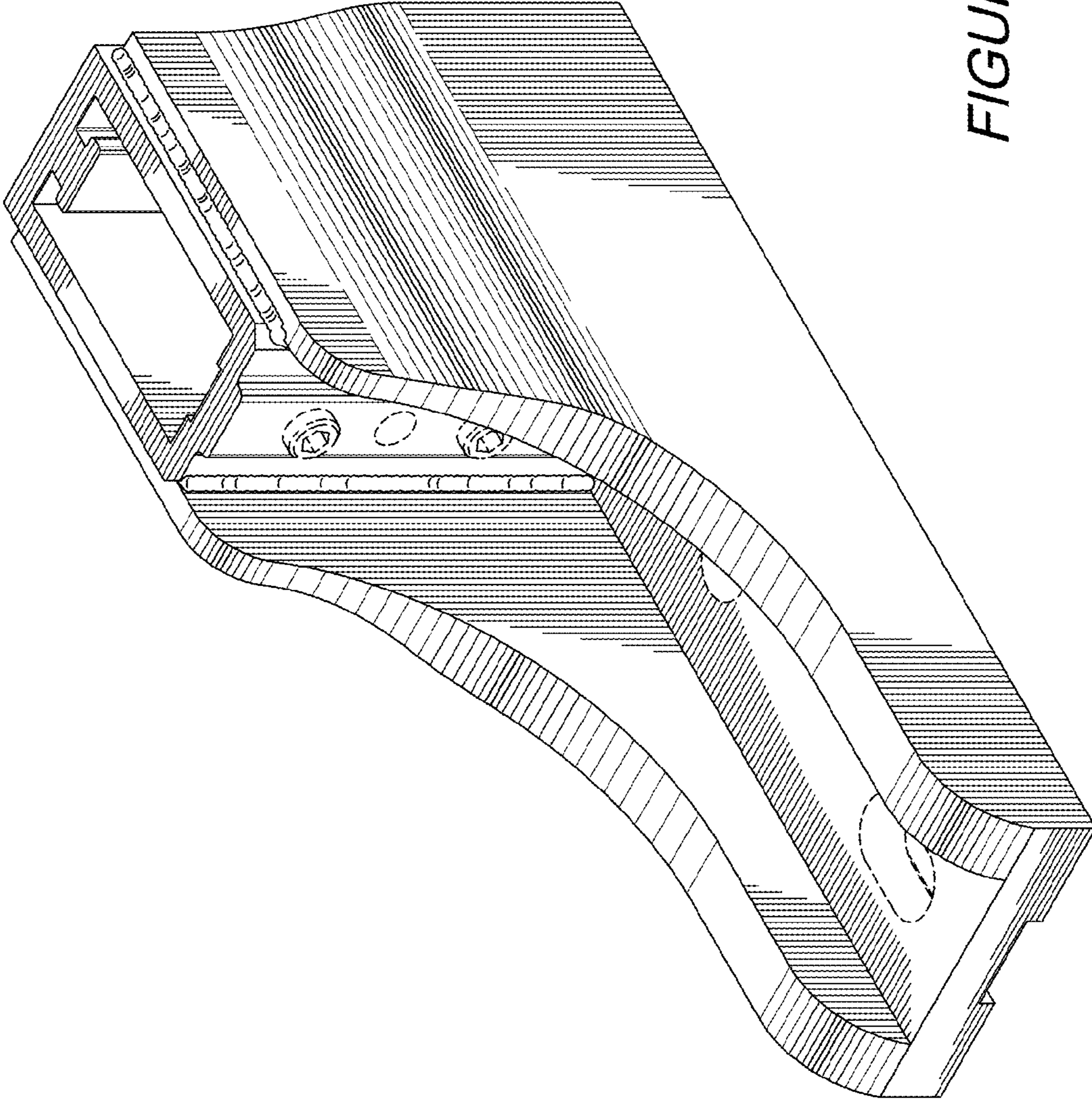


FIGURE 1

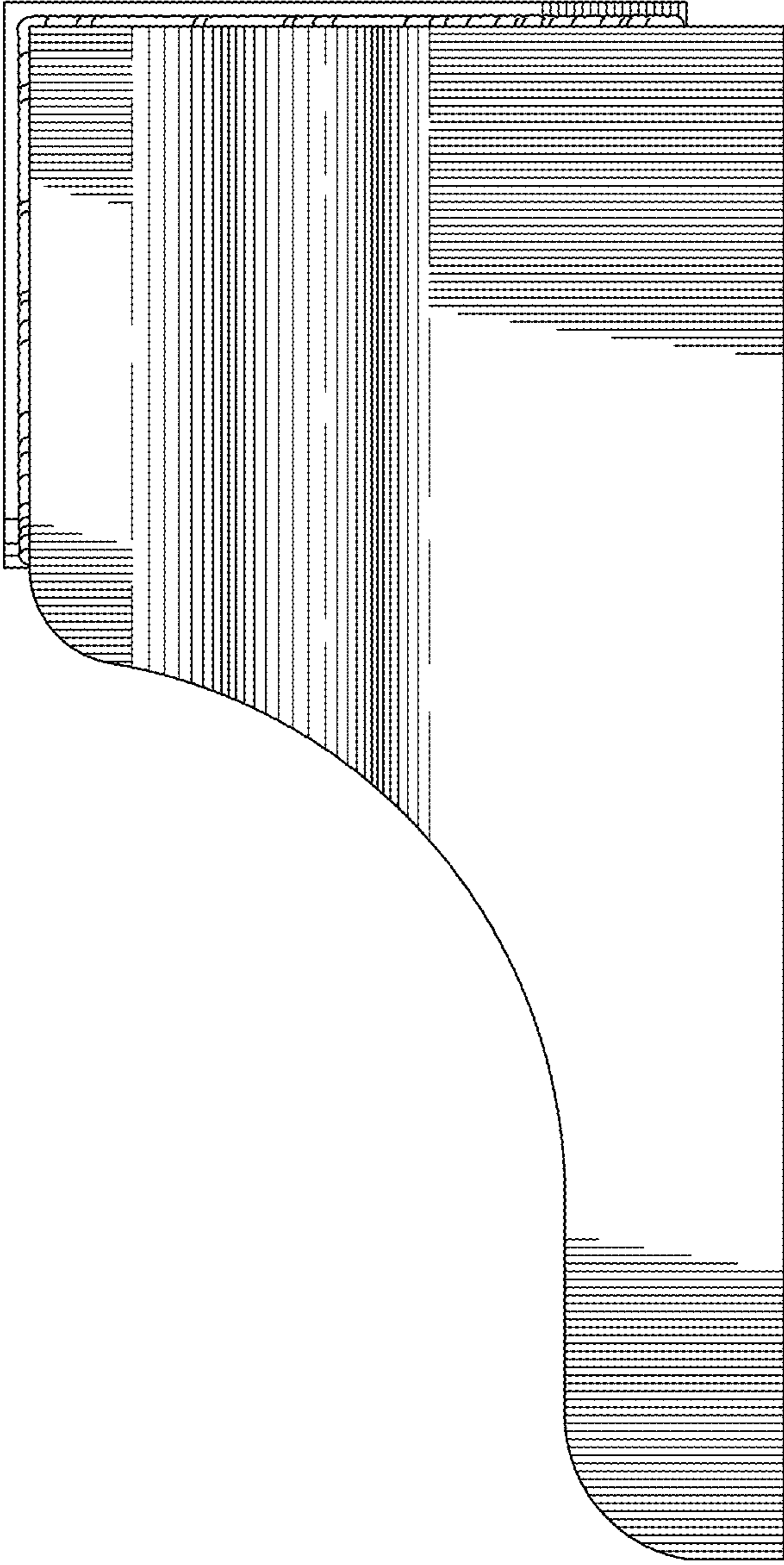


FIGURE 2

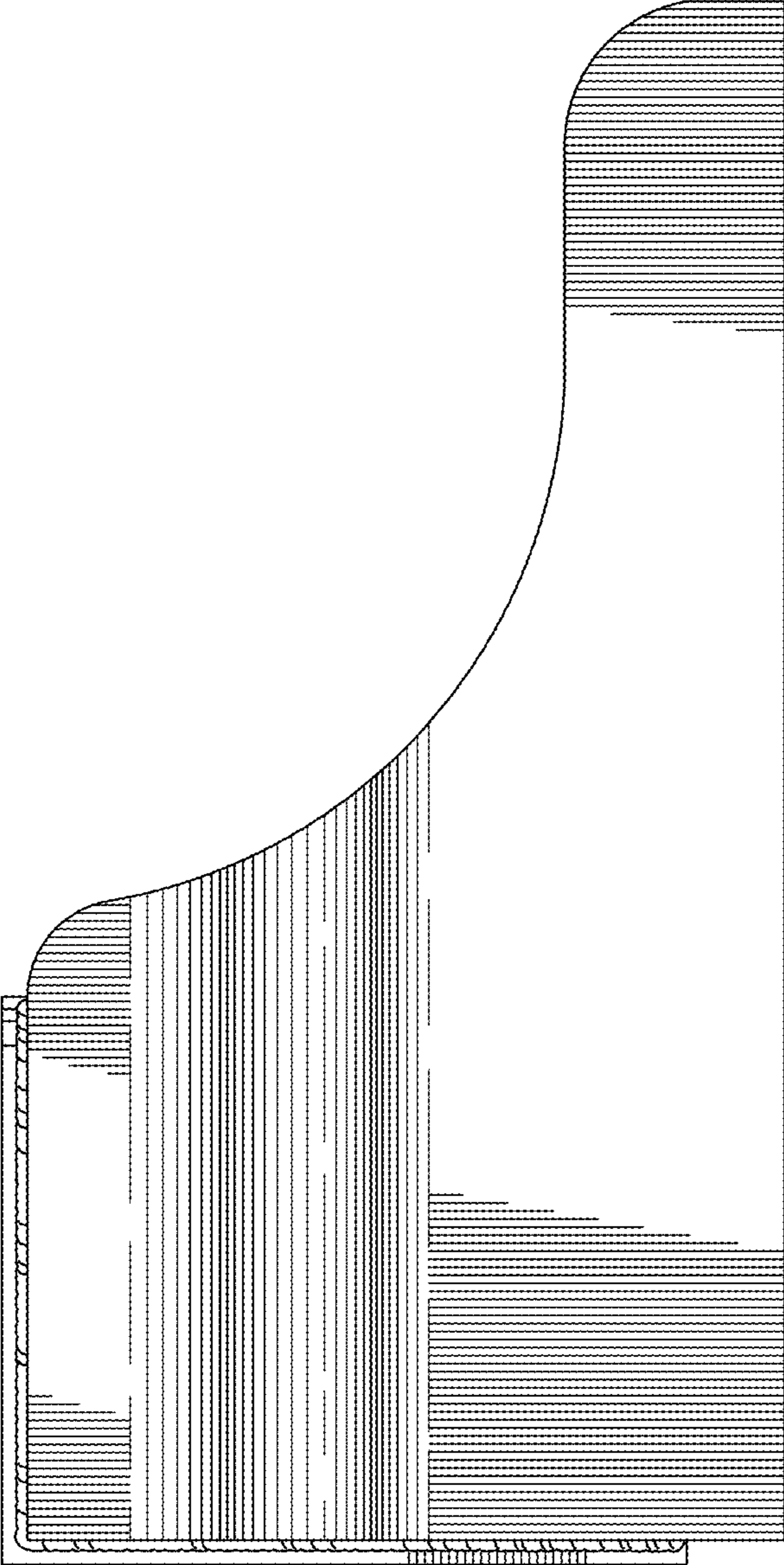


FIGURE 3

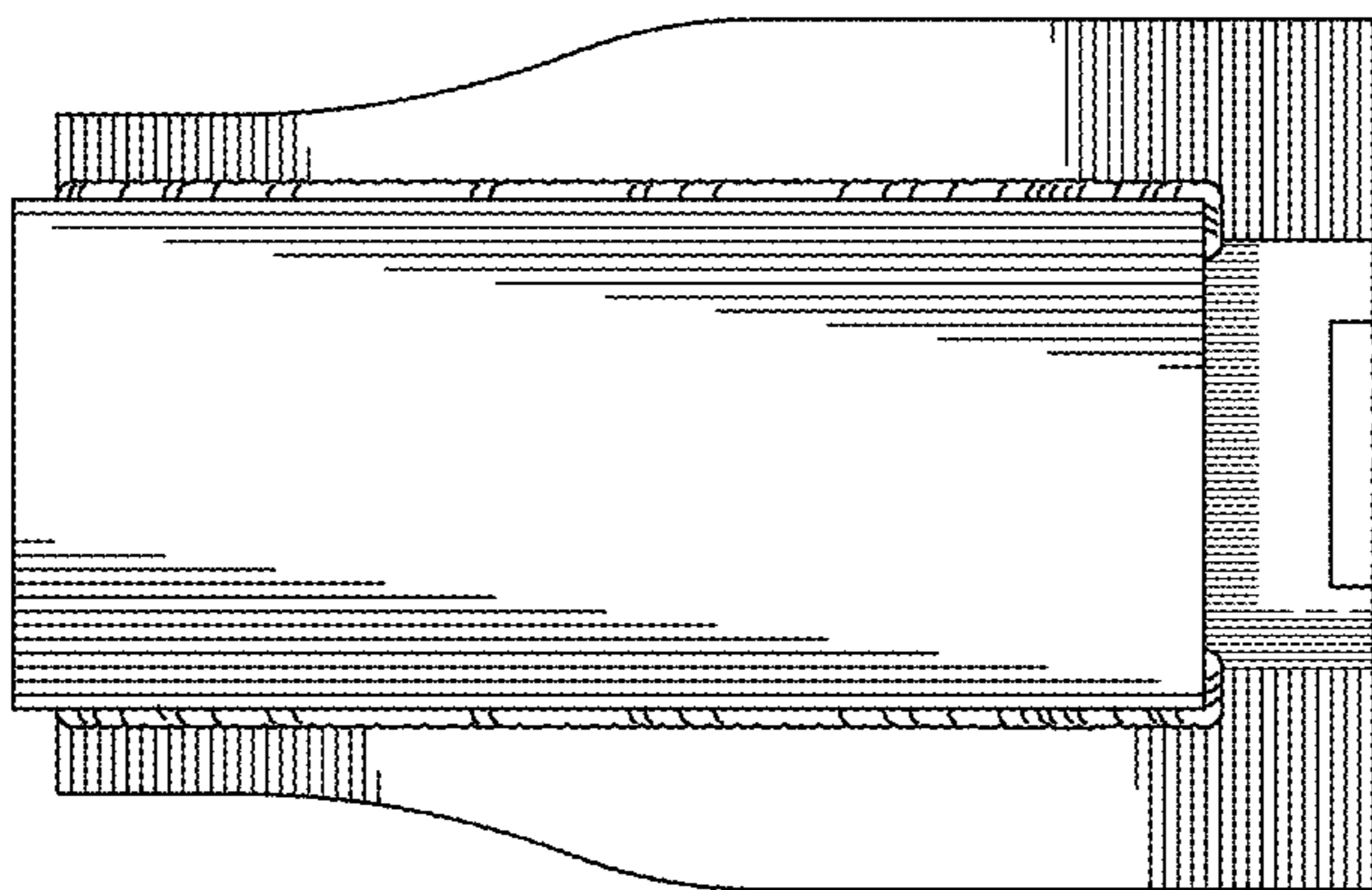


FIGURE 5

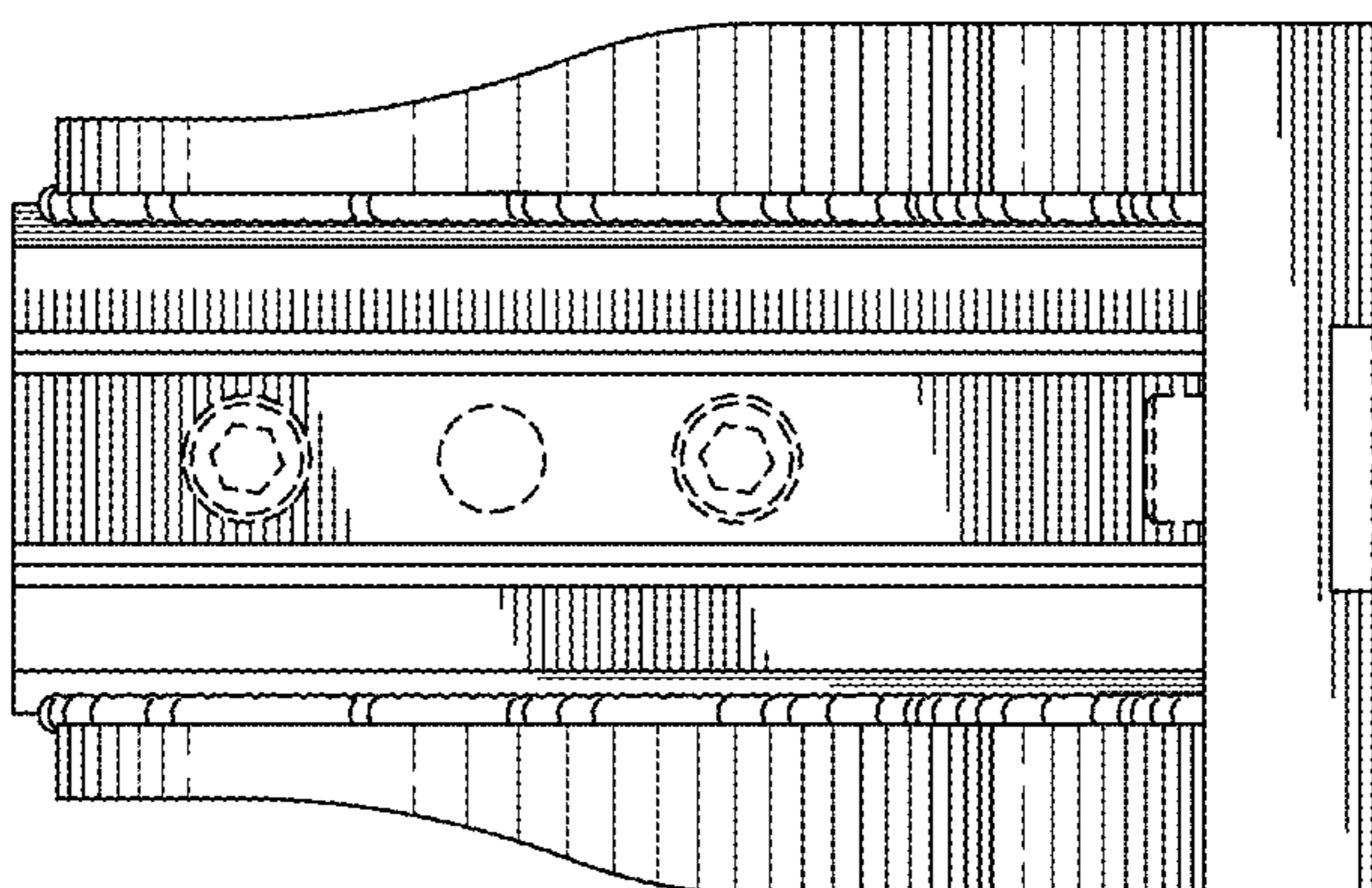


FIGURE 4

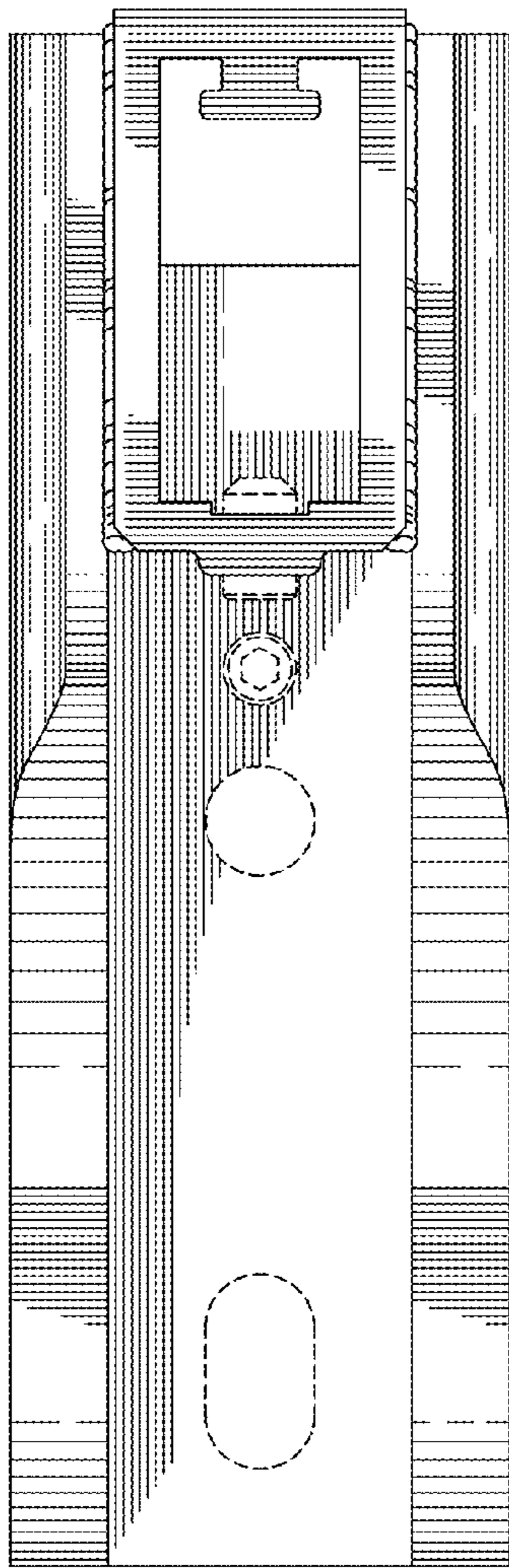


FIGURE 6

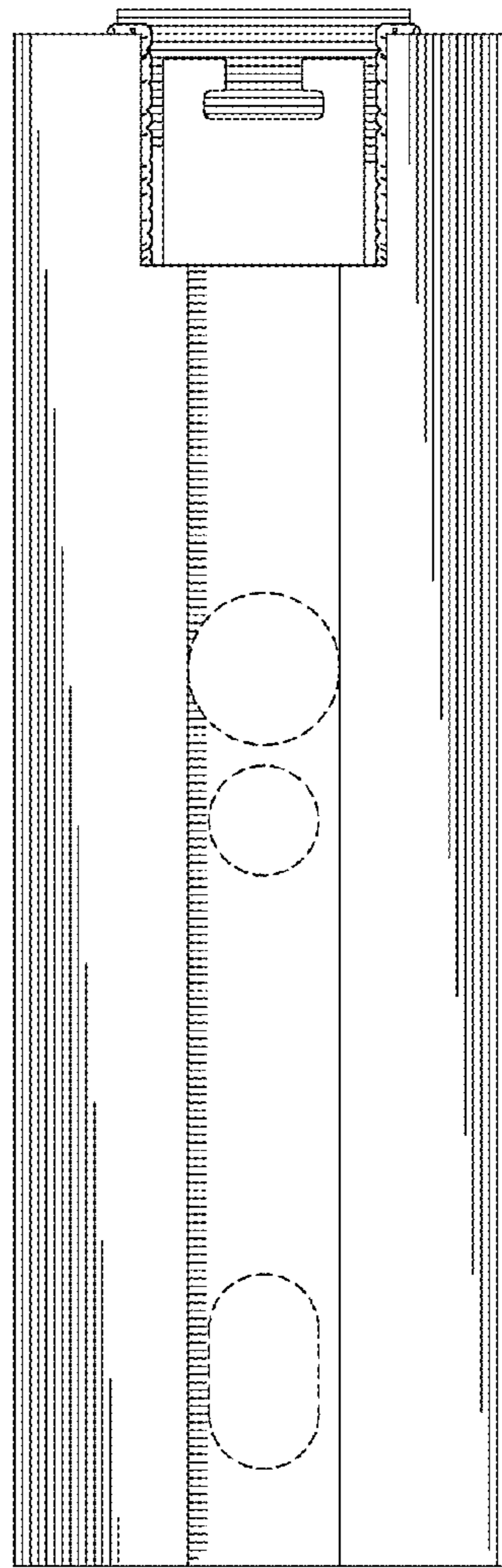


FIGURE 7