



US00D764069S

(12) **United States Design Patent**
Peluso

(10) **Patent No.:** **US D764,069 S**
(45) **Date of Patent:** **** Aug. 16, 2016**

- (54) **PREGNANCY TEST STICK**
- (71) Applicant: **Jason M. Peluso**, Cranston, RI (US)
- (72) Inventor: **Jason M. Peluso**, Cranston, RI (US)
- (73) Assignee: **Fourstar Group Inc.** (TW)
- (**) Term: **15 Years**
- (21) Appl. No.: **29/532,963**
- (22) Filed: **Jul. 13, 2015**
- (51) **LOC (10) Cl.** **24-02**
- (52) **U.S. Cl.**
USPC **D24/223**
- (58) **Field of Classification Search**
USPC D24/169, 186, 216, 223–226, 121–122;
D10/78, 81; 436/164–165, 510, 514,
436/518; 422/68.1, 400, 401, 402, 403,
422/420; 435/7.1; 600/583–584
CPC G01N 21/274; G01N 21/8483; G01N
33/558; G01N 31/22; G01N 33/689; G01N
33/54366; G01N 33/525; B01L 2400/0406;
B01J 19/0046; A61K 38/00; A61B 5/1411
See application file for complete search history.

- D531,735 S * 11/2006 Lee D24/223
- D536,798 S * 2/2007 Lee D24/223
- D547,879 S * 7/2007 Lee D24/223
- D548,359 S 8/2007 Illein et al.
- D606,664 S * 12/2009 Jacono D24/225
- 7,763,454 B2 * 7/2010 Nazareth G01N 21/8483
435/287.7
- D655,424 S * 3/2012 Castanon D24/225
- D660,977 S * 5/2012 Wagner D24/223
- D660,978 S * 5/2012 Wagner D24/223
- D676,570 S * 2/2013 Chance D24/223
- D698,457 S 1/2014 Canova
- D720,864 S * 1/2015 Behar D24/223
- D735,879 S * 8/2015 Behar D24/223
- 2002/0001852 A1 * 1/2002 Mendel-Hartvig .. G01N 33/558
436/514
- 2005/0037510 A1 * 2/2005 Sharrock G01N 21/274
436/164
- 2007/0292969 A1 * 12/2007 Canseco G01N 33/558
436/510

* cited by examiner

Primary Examiner — T. Chase Nelson
Assistant Examiner — Mark Cavanna
(74) *Attorney, Agent, or Firm* — Salter & Michaelson

(57) **CLAIM**
The ornamental design for a pregnancy test stick, as shown and described.

(56) **References Cited**

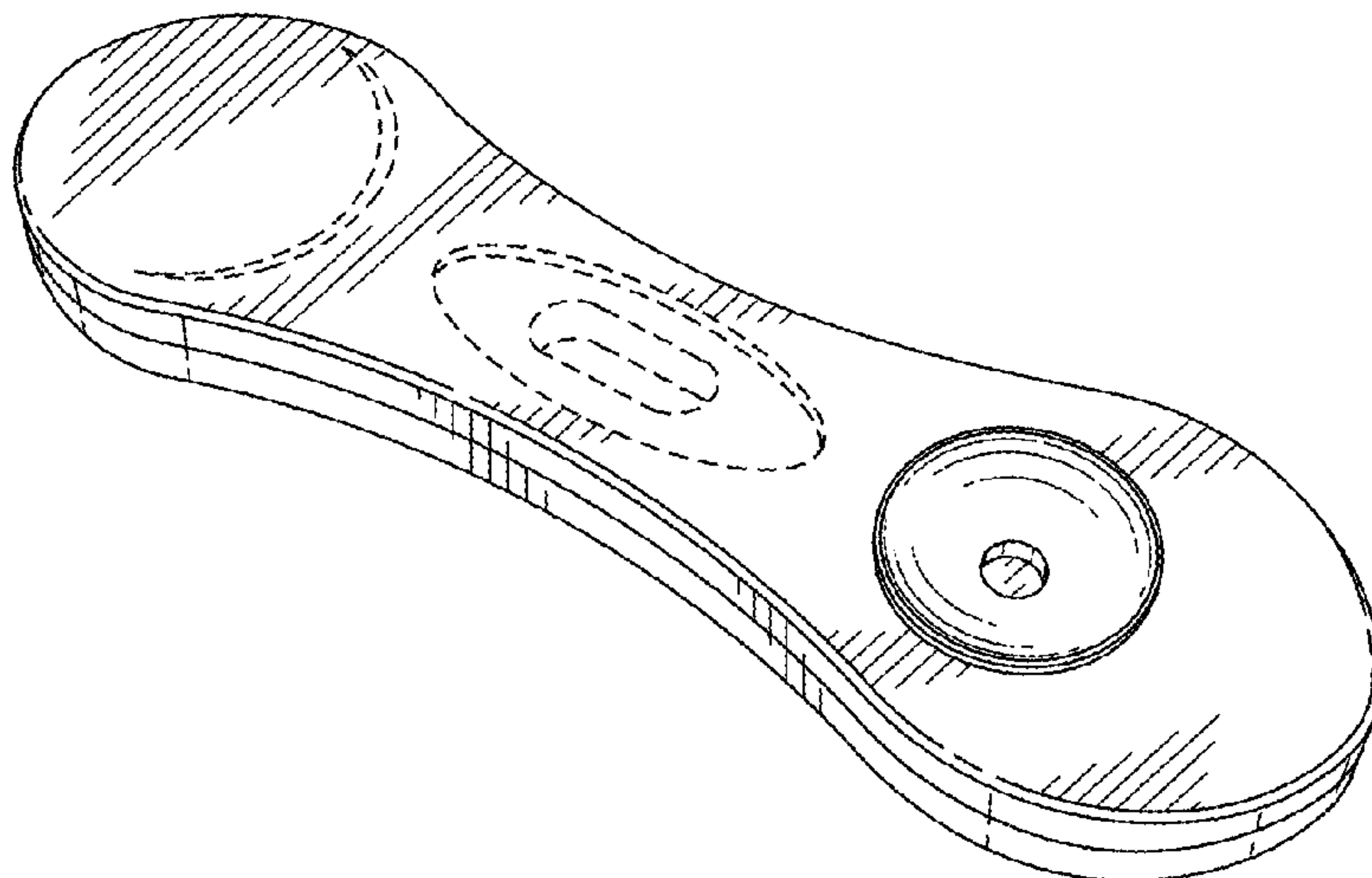
U.S. PATENT DOCUMENTS

- D341,663 S * 11/1993 Coulter D24/225
- D358,218 S * 5/1995 Groothuizen D24/226
- D367,236 S * 2/1996 Groothuizen D10/78
- D369,868 S * 5/1996 Nazareth D24/225
- D383,549 S * 9/1997 Arnett D10/81
- D390,667 S * 2/1998 Nazareth D24/223
- D432,244 S * 10/2000 Anderson D24/223
- 6,319,676 B1 * 11/2001 Nazareth G01N 33/558
422/408
- D499,812 S * 12/2004 Wu D24/223
- 6,855,561 B2 * 2/2005 Jerome G01N 21/8483
422/420
- D530,825 S * 10/2006 Lee D24/223

DESCRIPTION

FIG. 1 is a perspective view of a pregnancy test stick; FIG. 2 is a top plan view thereof; FIG. 3 is a bottom plan view thereof; FIG. 4 is a front elevational view thereof; FIG. 5 is a rear elevational view thereof; FIG. 6 is a right side elevational view thereof; and, FIG. 7 is a left side elevational view thereof. The broken lines shown in the drawing views are included for the purpose of showing environmental structure that forms no part of the claimed design.

1 Claim, 3 Drawing Sheets



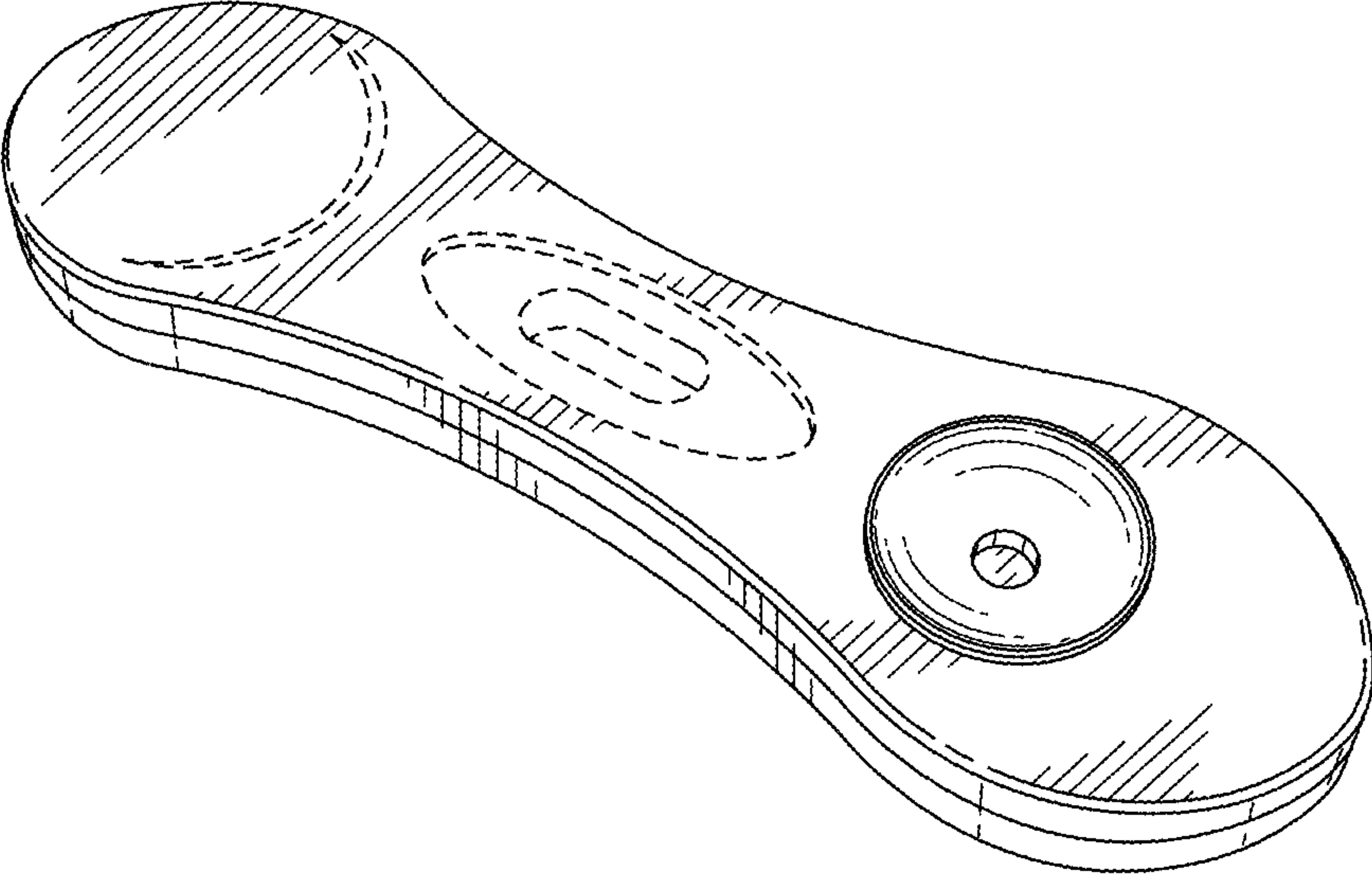


FIG. 1

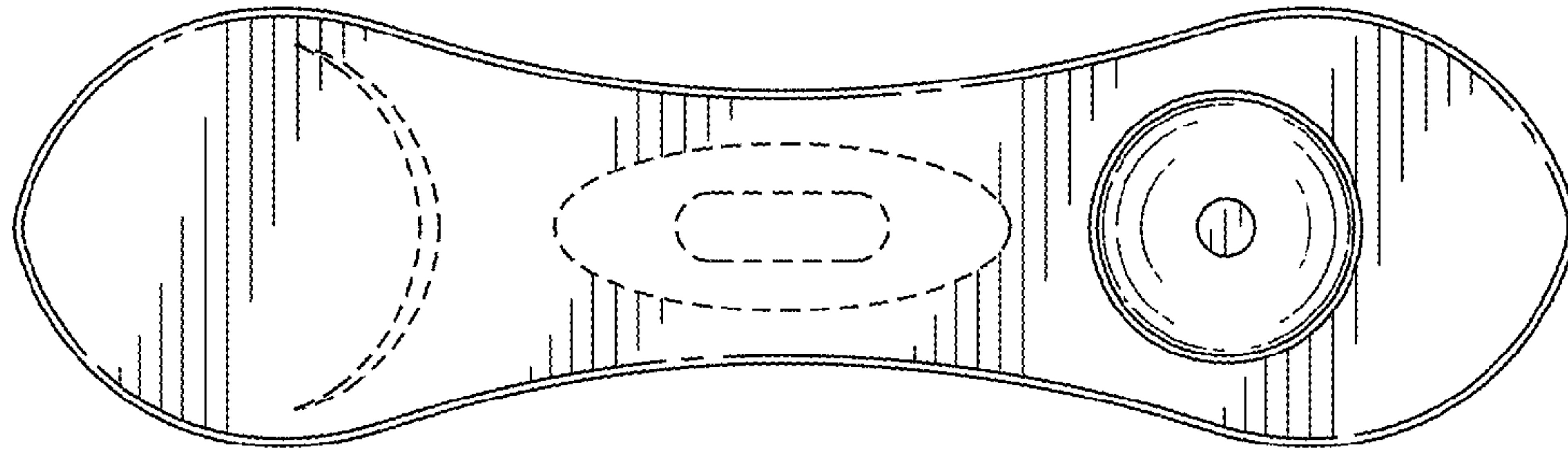


FIG. 2

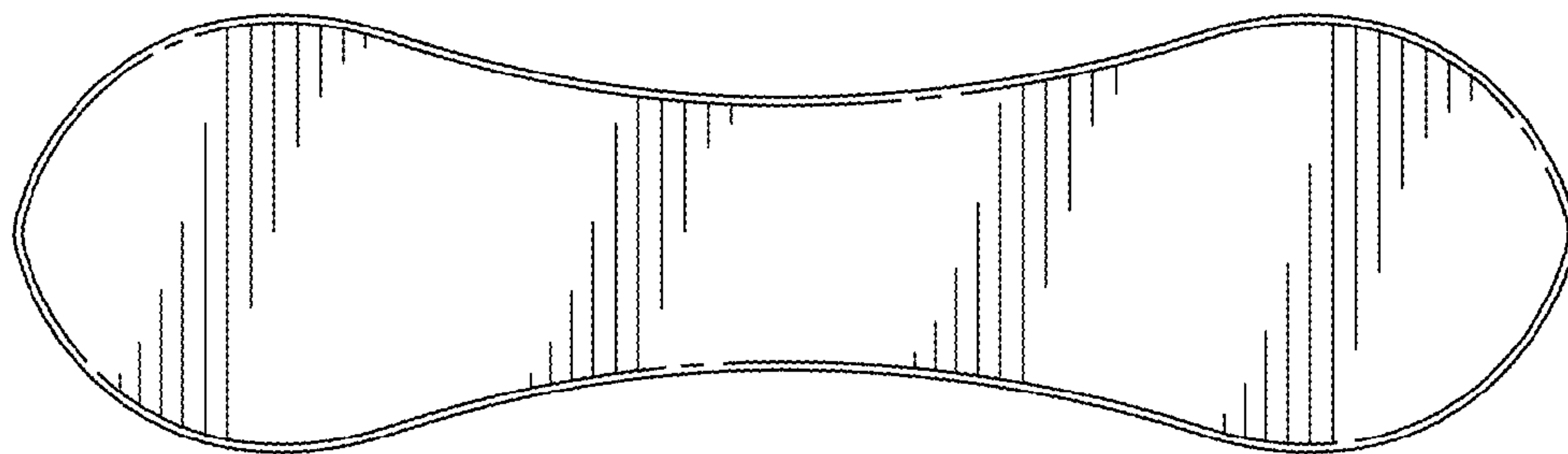


FIG. 3



FIG. 4



FIG. 5

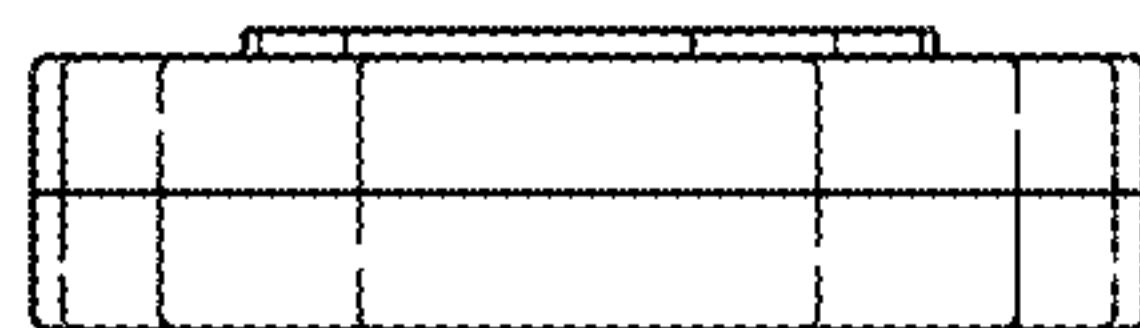


FIG. 6

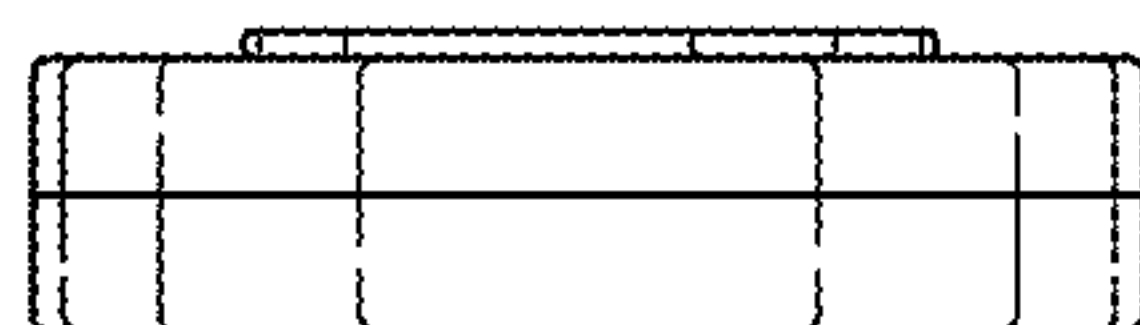


FIG. 7