

US00D764068S

(12) **United States Design Patent**
Tipton et al.

(10) **Patent No.:** **US D764,068 S**

(45) **Date of Patent:** **** Aug. 16, 2016**

(54) **STERILIZATION CASSETTE**

(56) **References Cited**

(71) Applicant: **HU-FRIEDY MFG. CO., LLC**,
Chicago, IL (US)

U.S. PATENT DOCUMENTS

(72) Inventors: **David W. Tipton**, Chicago, IL (US);
Timothy J. Fischer, Chicago, IL (US);
David K. Platt, Mount Prospect, IL
(US); **Chantel D. Willis**, Munster, IN
(US); **Jennifer Radovich Naylor**,
Batavia, IL (US); **Marjavis J. Matthis**,
Chicago, IL (US); **Mark Kurth**, Beverly
Shores, IN (US); **Timothy Payne**,
Chicago, IL (US); **Philip Anthony**,
Chicago, IL (US)

1,228,464 A 6/1917 Mazzei
3,133,635 A 5/1964 Gordon

(Continued)

FOREIGN PATENT DOCUMENTS

DE 2713094 A1 10/1978
DE 19535823 A1 3/1997

(Continued)

Primary Examiner — Anhdao Doan

(74) *Attorney, Agent, or Firm* — Marshall, Gerstein & Borun
LLP

(73) Assignee: **HU-FRIEDY MFG. CO., LLC**,
Chicago, IL (US)

(57) **CLAIM**

The ornamental design for sterilization cassette, as shown and
described.

(**) Term: **14 Years**

(21) Appl. No.: **29/510,962**

DESCRIPTION

(22) Filed: **Dec. 4, 2014**

Related U.S. Application Data

(62) Division of application No. 29/485,585, filed on Mar.
20, 2014, now Pat. No. Des. 721,441, which is a
division of application No. 29/452,322, filed on Apr.
15, 2013, now Pat. No. Des. 705,442.

FIG. 1 is a perspective view of the sterilization cassette in
accordance with a first embodiment of the present invention;
FIG. 2 is a front plan view of the sterilization cassette illus-
trated in FIG. 1;

(51) **LOC (10) Cl.** **24-01**

(52) **U.S. Cl.**
USPC **D24/217**

(58) **Field of Classification Search**
USPC D24/216, 217, 218, 227–232; D32/1,
D32/25
CPC A61L 2/26; A61L 2/24; A61L 2/17;
A61L 2/18; A61L 2/025; A61L 2202/122;
A61L 2202/10; A61L 2202/11; A61L
2202/14; A61L 2202/23; A61L 2202/24;
A61L 2202/182

FIG. 3 is a right side elevational view of the sterilization
cassette illustrated in FIG. 1, with the left side elevational
view being a mirror image thereof;

FIG. 4 is a top plan view of the sterilization cassette illustrated
in FIG. 1, with the bottom view being a mirror image thereof;
FIG. 5 is a perspective view of the sterilization cassette in
accordance with a second embodiment of the present inven-
tion;

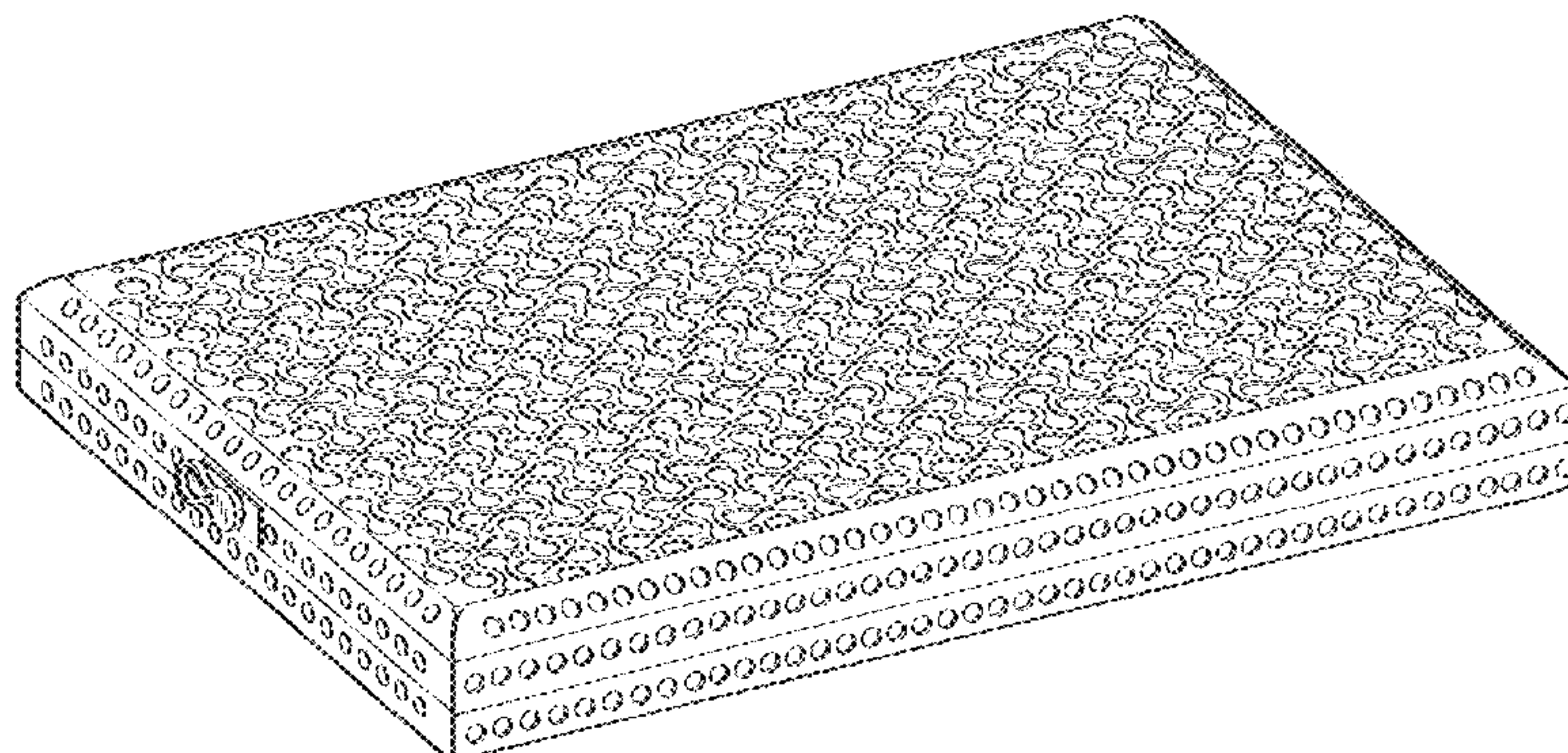
FIG. 6 is a front plan view of the sterilization cassette illus-
trated in FIG. 5;

FIG. 7 is a right side elevational view of the sterilization
cassette illustrated in FIG. 5, with the left side elevational
view being a mirror image thereof; and,

FIG. 8 is a top plan view of the sterilization cassette illustrated
in FIG. 5, with the bottom view being a mirror image thereof.

See application file for complete search history.

1 Claim, 4 Drawing Sheets



(56)

References Cited

U.S. PATENT DOCUMENTS

D209,577 S 12/1967 Pompill
 4,043,754 A 8/1977 Sklar
 4,135,868 A 1/1979 Schainholz
 4,541,992 A 9/1985 Jerge et al.
 D295,075 S 4/1988 Jerge et al.
 4,774,063 A 9/1988 Runnells
 4,798,292 A 1/1989 Hauze
 4,854,475 A 8/1989 Riihimaki et al.
 5,084,251 A 1/1992 Thomas
 5,173,273 A 12/1992 Brewer
 5,215,726 A 6/1993 Kudla et al.
 5,268,970 A 12/1993 Tanaka
 5,279,800 A 1/1994 Berry, Jr.
 5,281,400 A 1/1994 Berry, Jr.
 5,284,632 A 2/1994 Kudla et al.
 5,294,413 A 3/1994 Riihimaki et al.
 5,340,551 A 8/1994 Berry, Jr.
 5,346,677 A 9/1994 Risk
 5,372,787 A * 12/1994 Ritter A61L 2/26
 206/363
 5,376,677 A 12/1994 Trah
 5,384,103 A 1/1995 Miller
 5,407,069 A 4/1995 Schmieding et al.
 5,422,067 A 6/1995 Barney
 5,424,048 A 6/1995 Riley
 D360,697 S 7/1995 Riihimaki et al.
 5,433,929 A 7/1995 Riihimaki et al.
 5,451,379 A 9/1995 Bowlin, Jr.
 5,482,067 A 1/1996 Wittrock et al.
 5,492,671 A 2/1996 Krafft
 5,505,916 A 4/1996 Berry, Jr.
 D371,203 S 6/1996 Deeds
 D371,444 S 7/1996 Madjar
 5,725,097 A 3/1998 Bettenhausen et al.
 5,732,821 A 3/1998 Stone et al.
 5,759,502 A 6/1998 Spencer et al.
 5,762,202 A 6/1998 Atad
 5,840,261 A 11/1998 Monch
 5,843,387 A 12/1998 Dane et al.
 5,882,612 A 3/1999 Riley
 5,918,740 A 7/1999 Berry, Jr.
 D421,309 S 2/2000 Riley et al.
 D427,881 S 7/2000 Weinerman et al.
 6,099,812 A 8/2000 Allen et al.
 6,138,850 A 10/2000 Berry, III
 D437,060 S 1/2001 Mayer
 6,193,932 B1 2/2001 Wu et al.
 6,217,835 B1 4/2001 Riley et al.
 D441,457 S 5/2001 Neiner et al.
 6,248,293 B1 * 6/2001 Davis A61L 2/14
 206/370
 6,264,902 B1 7/2001 Howlett
 6,331,280 B1 12/2001 Wood
 D454,691 S 3/2002 Proot et al.
 6,365,115 B1 4/2002 Wood
 6,368,565 B1 4/2002 Michaelson et al.
 6,382,575 B1 5/2002 Frush et al.

D458,033 S 6/2002 Cassingham
 D458,448 S 6/2002 Jakab
 6,468,482 B1 10/2002 Frieze et al.
 D472,057 S 3/2003 Cassingham
 6,534,000 B1 3/2003 Michaelson et al.
 6,585,942 B1 7/2003 Bussell et al.
 6,634,499 B2 10/2003 Allen et al.
 D487,315 S 3/2004 Picot et al.
 6,713,029 B1 3/2004 Krafft et al.
 D489,595 S 5/2004 Gleichauf et al.
 6,783,004 B1 8/2004 Rinner
 6,827,913 B2 12/2004 Wood
 D516,318 S 3/2006 Hasenoehrl et al.
 7,021,485 B1 * 4/2006 Baker A61L 2/26
 220/326
 D526,064 S 8/2006 Wood
 D530,824 S 10/2006 Bennison
 D531,035 S 10/2006 Pugne
 D537,950 S 3/2007 Haunschild et al.
 D542,928 S 5/2007 Bauer
 D548,970 S 8/2007 Huang
 D557,814 S 12/2007 Glenn et al.
 D558,977 S 1/2008 Peart et al.
 D579,117 S 10/2008 Weiss et al.
 D586,557 S 2/2009 Jalet
 7,544,336 B2 6/2009 Powell
 7,717,264 B2 5/2010 Bettenhausen et al.
 7,748,529 B2 7/2010 Foreman et al.
 7,871,582 B2 1/2011 Riley et al.
 7,905,353 B2 3/2011 Baker et al.
 8,069,998 B2 12/2011 Thomas
 D658,777 S 5/2012 Sweet, II et al.
 D705,442 S 5/2014 Tipton et al.
 D712,061 S * 8/2014 Hicks D24/227
 D721,441 S 1/2015 Tipton et al.
 2003/0011849 A1 1/2003 Farmer et al.
 2005/0016135 A1 1/2005 Heikaus
 2005/0161355 A1 7/2005 Matthis et al.
 2008/0149512 A1 6/2008 Dane
 2009/0223972 A1 9/2009 Allen
 2010/0065456 A1 3/2010 Junk et al.
 2011/0071572 A1 3/2011 Sixto et al.
 2012/0085720 A1 4/2012 Bettenhausen et al.

FOREIGN PATENT DOCUMENTS

DE 19851239 A1 5/2000
 DE 202005015459 U1 12/2005
 DE 102005047097 A1 4/2007
 DE 102005047099 A1 4/2007
 DE 202007010742 U1 11/2007
 DE 102007003223 A1 7/2008
 EP 633101 A1 1/1995
 EP 1281369 A1 2/2003
 GB 2105591 A 3/1983
 GB 2328680 A 3/1999
 JP 2010063889 A 3/2010
 WO WO-9401055 A1 1/1994

* cited by examiner

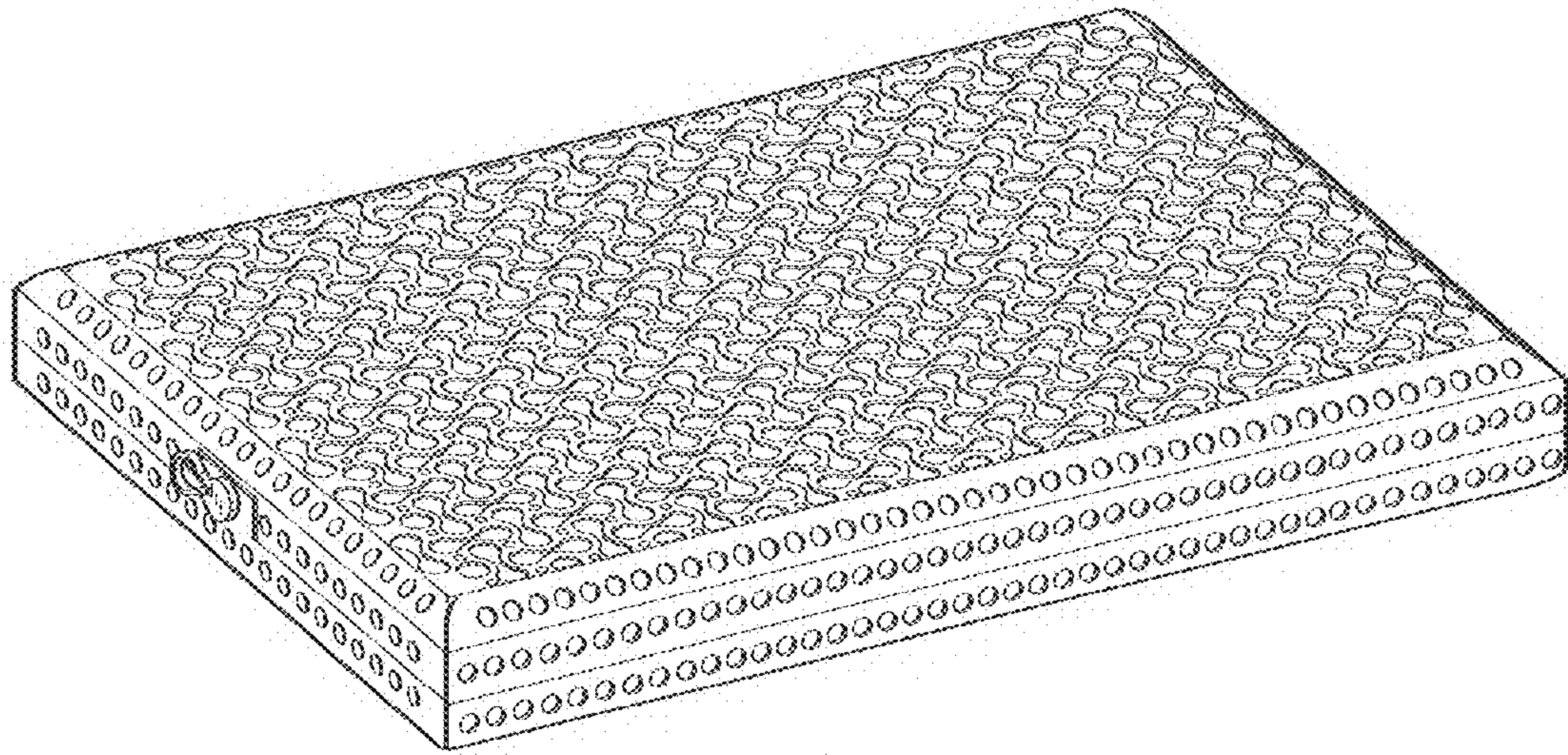


FIG. 1

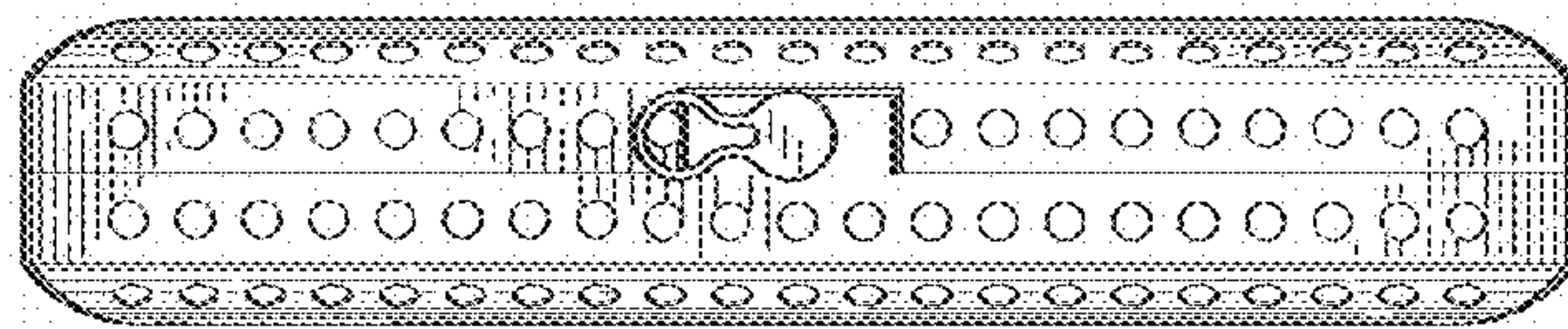


FIG. 2

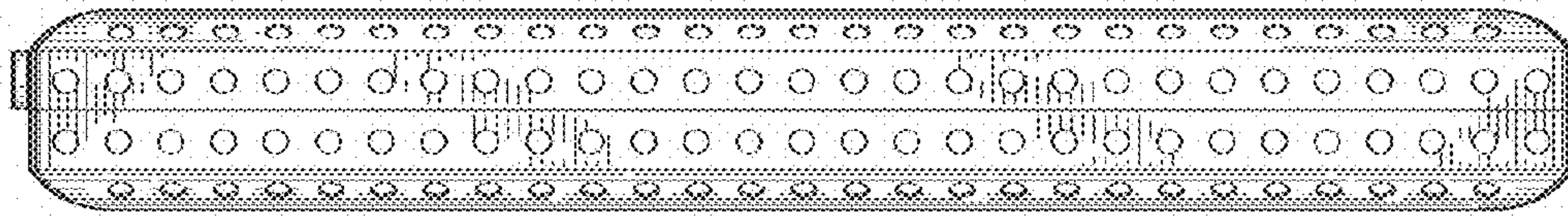


FIG. 3

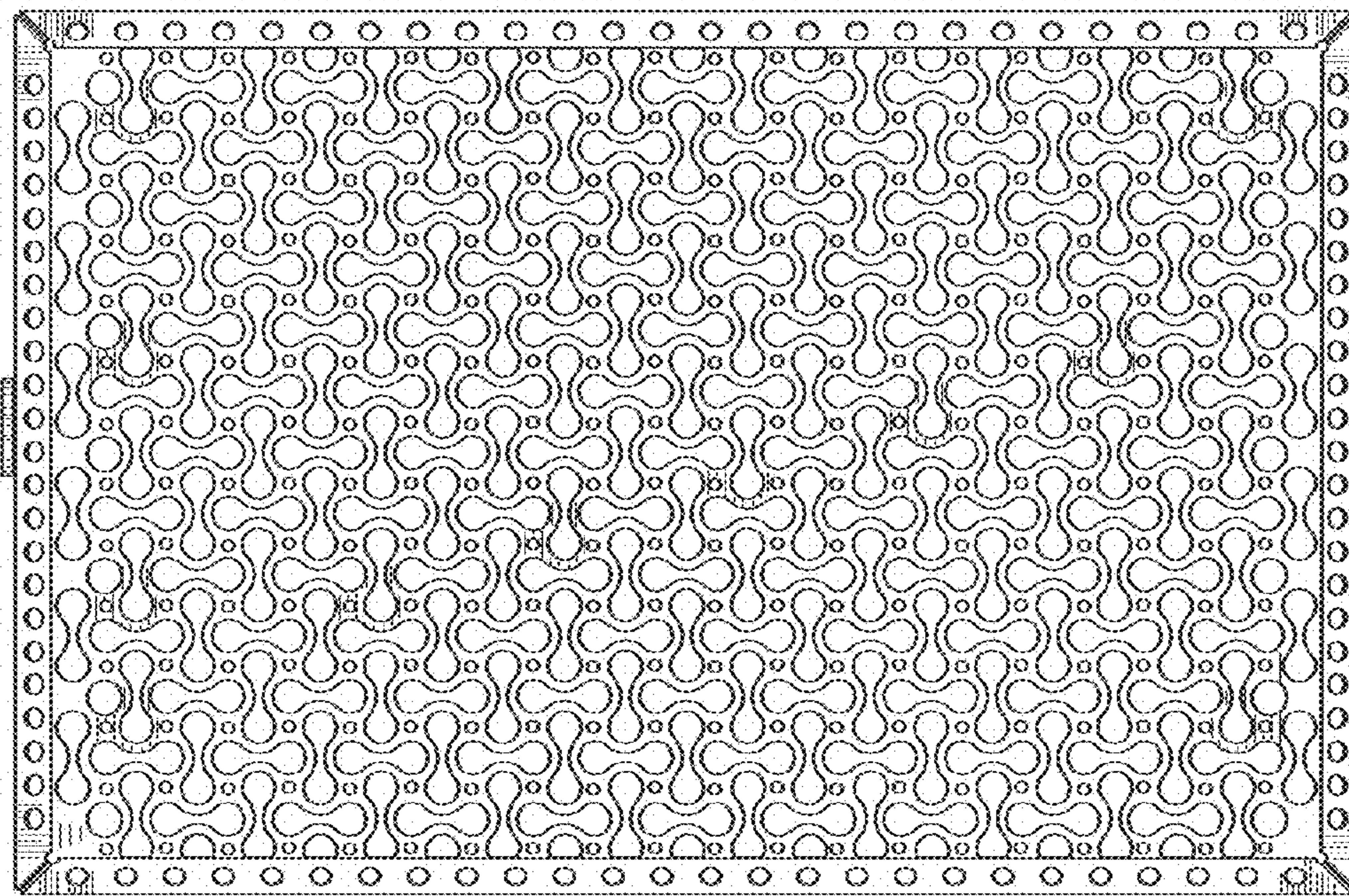


FIG. 4

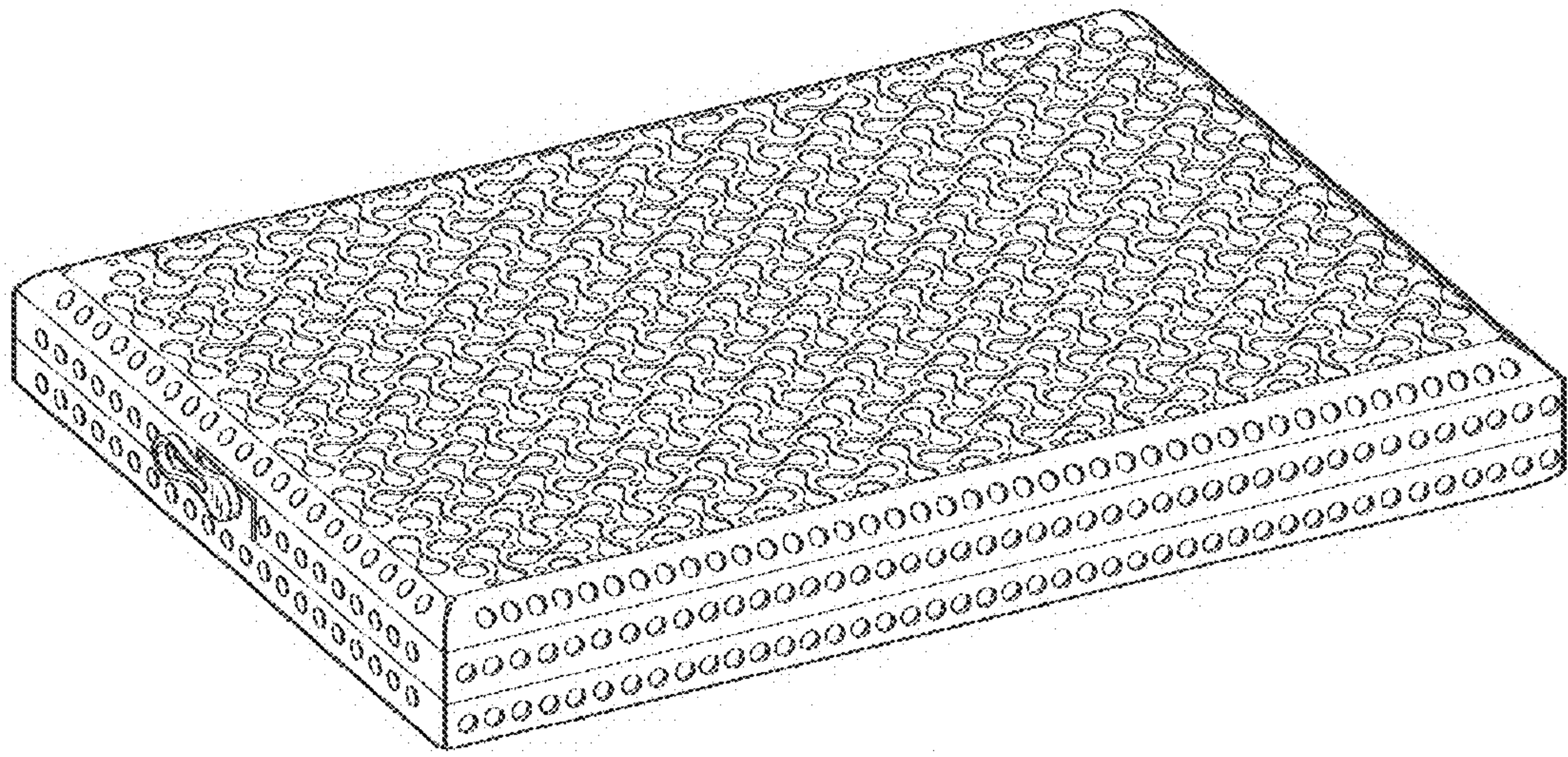


FIG. 5

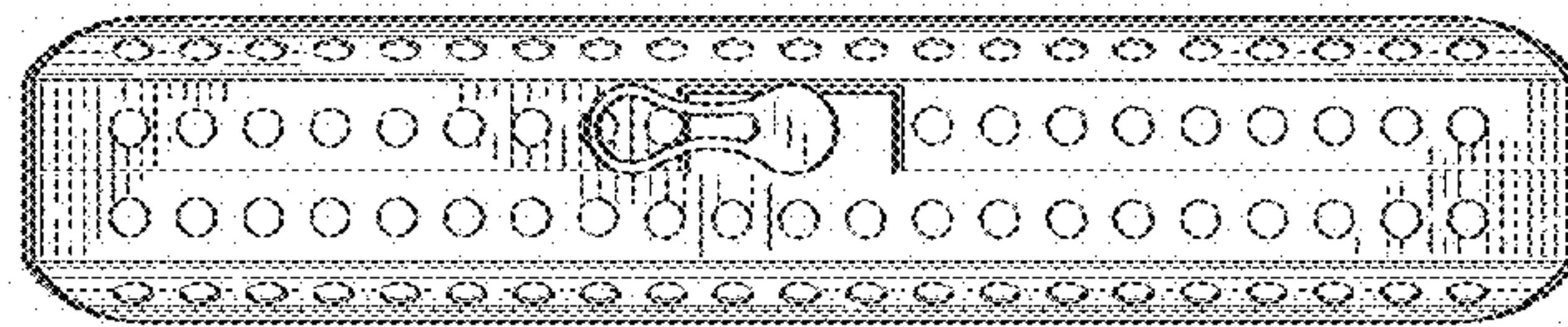


FIG. 6

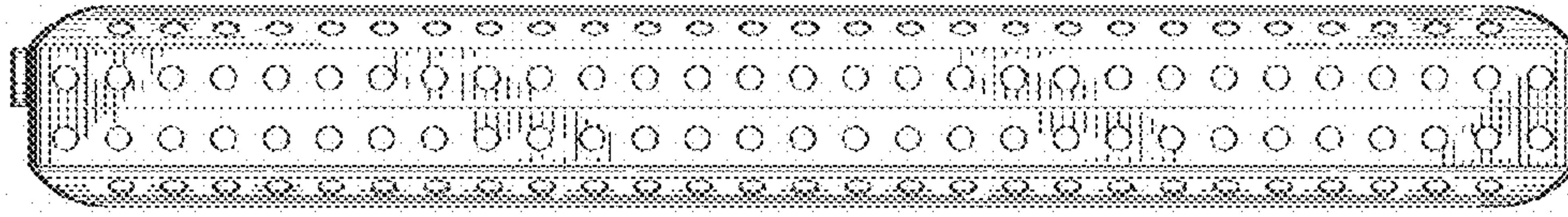


FIG. 7

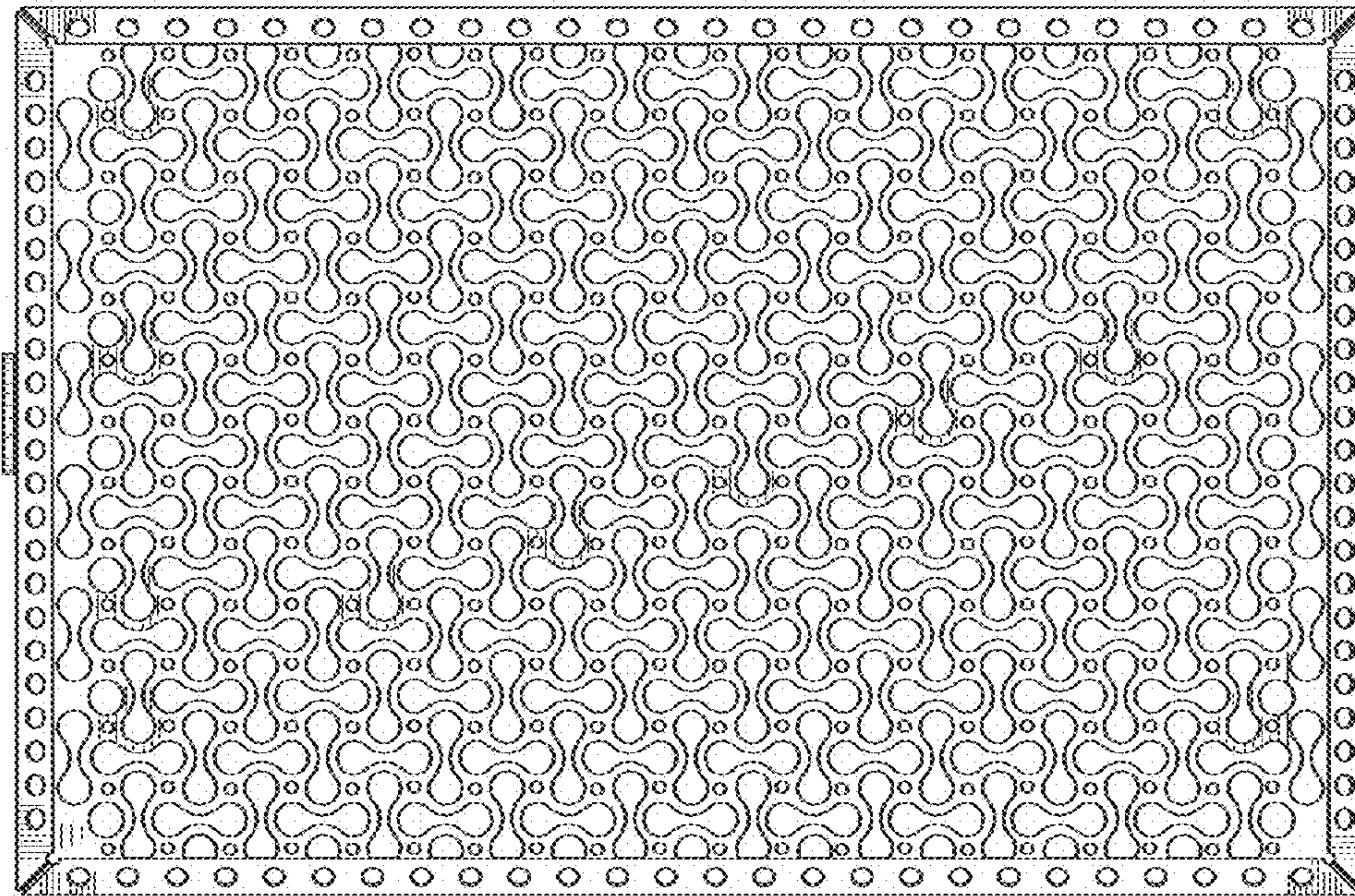


FIG. 8