

US00D764067S

(12) **United States Design Patent**
Tipton et al.

(10) **Patent No.:** **US D764,067 S**
(45) **Date of Patent:** **** Aug. 16, 2016**

(54) **STERILIZATION CASSETTE**

(56)

References Cited

- (71) Applicant: **HU-FRIEDY MFG. CO., LLC**,
Chicago, IL (US)
- (72) Inventors: **David W. Tipton**, Chicago, IL (US);
Timothy J. Fisher, Chicago, IL (US);
David K. Platt, Mount Prospect, IL
(US); **Chantel D. Willis**, Munster, IN
(US); **Jennifer Radovich Naylor**,
Batavia, IL (US); **Marjavis J. Matthis**,
Chicago, IL (US); **Mark Kurth**, Beverly
Shores, IN (US); **Timothy Payne**,
Chicago, IL (US); **Philip Anthony**,
Chicago, IL (US)
- (73) Assignee: **HU-FRIEDY MFG. CO., LLC**,
Chicago, IL (US)
- (**) Term: **14 Years**
- (21) Appl. No.: **29/509,259**
- (22) Filed: **Nov. 14, 2014**

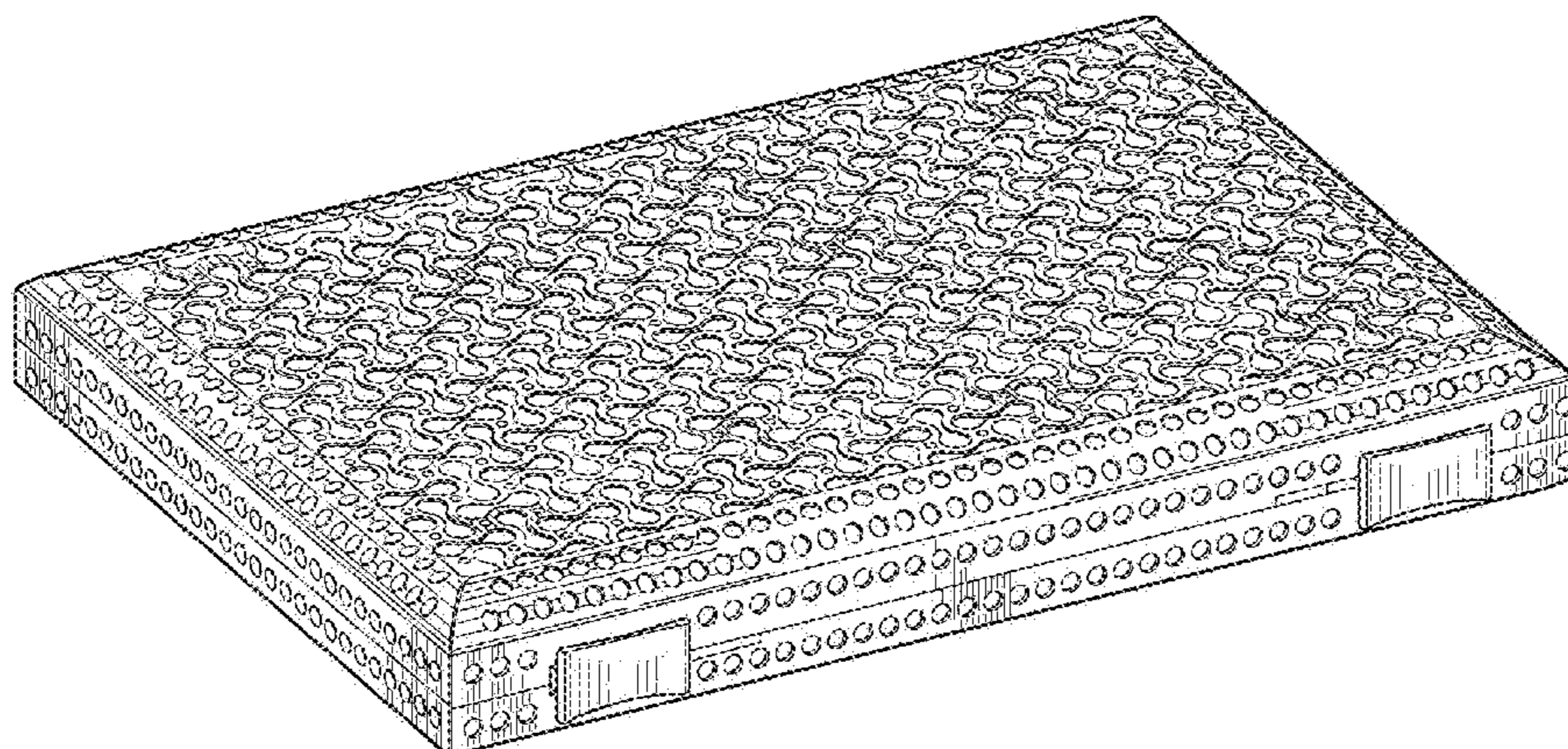
U.S. PATENT DOCUMENTS

1,228,464 A	6/1917	Mazzei	
3,133,635 A	5/1964	Gordon	
D209,577 S	12/1967	Pompill	
4,043,754 A	8/1977	Sklar	
4,135,868 A	1/1979	Schainholz	
4,541,992 A	9/1985	Jerge et al.	
D295,075 S	4/1988	Jerge et al.	
4,774,063 A	9/1988	Runnells	
4,798,292 A	1/1989	Hauze	
4,854,475 A	8/1989	Riihimaki et al.	
5,084,251 A	1/1992	Thomas	
5,173,273 A	12/1992	Brewer	
5,268,970 A	12/1993	Tanaka	
5,279,800 A	1/1994	Berry, Jr.	
5,281,400 A	1/1994	Berry, Jr.	
5,284,632 A	2/1994	Kudla et al.	
5,340,551 A	8/1994	Berry, Jr.	
5,346,677 A	9/1994	Risk	
5,372,787 A *	12/1994	Ritter	A61L 2/26 206/363
5,376,677 A	12/1994	Trah	
5,384,103 A	1/1995	Miller	
5,407,069 A	4/1995	Schmieding et al.	
5,422,067 A	6/1995	Barney	
5,424,048 A	6/1995	Riley	
D360,697 S	7/1995	Riihimaki et al.	
5,451,379 A	9/1995	Bowlin, Jr.	
5,482,067 A	1/1996	Wittrock et al.	
5,492,671 A	2/1996	Krafft	
5,505,916 A	4/1996	Berry, Jr.	
D371,203 S	6/1996	Deeds	
D371,444 S	7/1996	Madjar	
5,725,097 A	3/1998	Bettenhausen et al.	
5,732,821 A	3/1998	Stone et al.	
5,762,202 A	6/1998	Atad	
5,840,261 A	11/1998	Monch	
5,843,387 A	12/1998	Dane et al.	
5,882,612 A	3/1999	Riley	
5,918,740 A	7/1999	Berry, Jr.	
D421,309 S	2/2000	Riley et al.	
6,099,812 A	8/2000	Allen et al.	
6,138,850 A	10/2000	Berry, III	
D437,060 S	1/2001	Mayer	
6,193,932 B1	2/2001	Wu et al.	
6,217,835 B1	4/2001	Riley et al.	
D441,457 S	5/2001	Neiner et al.	
6,248,293 B1 *	6/2001	Davis	A61L 2/14 206/370
6,264,902 B1	7/2001	Howlett	

Related U.S. Application Data

- (62) Division of application No. 29/485,608, filed on Mar. 20, 2014, now Pat. No. Des. 720,080, which is a division of application No. 29/424,877, filed on Jun. 16, 2012, now Pat. No. Des. 704,855.
- (51) **LOC (10) Cl.** **24-01**
- (52) **U.S. Cl.**
USPC **D24/217**
- (58) **Field of Classification Search**
USPC D24/216, 217, 218, 227-232; D32/1,
D32/25
CPC A61L 2/26; A61L 2/24; A61L 2/17;
A61L 2/18; A61L 2/025; A61L 2202/122;
A61L 2202/10; A61L 2202/11; A61L
2202/14; A61L 2202/23; A61L 2202/24;
A61L 2202/182

See application file for complete search history.



6,331,280	B1	12/2001	Wood	
6,365,115	B1	4/2002	Wood	
6,368,565	B1	4/2002	Michaelson et al.	
6,382,575	B1	5/2002	Frush et al.	
D458,033	S	6/2002	Cassingham	
D458,448	S	6/2002	Jakab	
6,468,482	B1	10/2002	Frieze et al.	
D472,057	S	3/2003	Cassingham	
6,534,000	B1	3/2003	Michaelson et al.	
6,585,942	B1	7/2003	Bussell et al.	
6,634,499	B2	10/2003	Allen et al.	
D487,315	S	3/2004	Picot et al.	
6,713,029	B1	3/2004	Krafft et al.	
6,783,004	B1	8/2004	Rinner	
6,827,913	B2	12/2004	Wood	
D516,318	S	3/2006	Hasenoehrl et al.	
7,021,485	B1 *	4/2006	Baker	A61L 2/26 220/326
D526,064	S	8/2006	Wood	
D530,824	S	10/2006	Bennison	
D537,950	S	3/2007	Haunschild et al.	
D557,814	S	12/2007	Glenn et al.	
D579,117	S	10/2008	Weiss et al.	
7,544,336	B2	6/2009	Powell	
7,717,264	B2	5/2010	Bettenhausen et al.	
7,748,529	B2	7/2010	Foreman et al.	
7,871,582	B2	1/2011	Riley et al.	
7,905,353	B2	3/2011	Baker et al.	
8,069,998	B2	12/2011	Thomas	
D658,777	S	5/2012	Sweet, II et al.	
D704,855	S	5/2014	Tipton et al.	
D712,061	S *	8/2014	Hicks	D24/227
D720,080	S	12/2014	Tipton et al.	
2003/0011849	A1	1/2003	Farmer et al.	
2005/0016135	A1	1/2005	Heikaus	
2005/0161355	A1	7/2005	Matthis et al.	
2008/0149512	A1	6/2008	Dane	
2009/0223972	A1	9/2009	Allen	
2010/0065456	A1	3/2010	Junk et al.	
2011/0071572	A1	3/2011	Sixto et al.	
2012/0085720	A1	4/2012	Bettenhausen et al.	

FOREIGN PATENT DOCUMENTS

DE	2713094	A1	10/1978
DE	19535823	A1	3/1997
DE	19851239	A1	5/2000
DE	202005015459	U1	12/2005
DE	102005047097	A1	4/2007
DE	102005047099	A1	4/2007
DE	202007010742	U1	11/2007
DE	102007003223	A1	7/2008
EP	633101	A1	1/1995
EP	1281369	A1	2/2003
GB	2105591	A	3/1983
GB	2328680	A	3/1999
JP	2010063889	A	3/2010
WO	WO-9401055	A1	1/1994
WO	WO-2012/084198	A1	6/2012
WO	WO-2012/084199	A1	6/2012

* cited by examiner

OTHER PUBLICATIONS

U.S. Appl. No. 61/664,383, David W. Tipton et al., "Sterilization Cassette Systems, Instrument Retention Systems for Use with a Sterilization Cassette, and Configurable Instrument Retention Members for Use Therewith", filed Jun. 26, 2012.

Primary Examiner — Anhdao Doan
(74) *Attorney, Agent, or Firm* — Marshall, Gerstein & Borun LLP

(57) **CLAIM**

The ornamental design for sterilization cassette, as shown and described.

DESCRIPTION

FIG. 1 is a perspective view of a sterilization cassette in accordance with a first embodiment of the present invention; FIG. 2 is a front elevational view of the sterilization cassette illustrated in FIG. 1; FIG. 3 is a rear elevational view of the sterilization cassette illustrated in FIG. 1; FIG. 4 is a right side elevational view of the sterilization cassette illustrated in FIG. 1; FIG. 5 is a left side elevational view of the sterilization cassette illustrated in FIG. 1; FIG. 6 is a top plan view of the sterilization cassette illustrated in FIG. 1; FIG. 7 is a bottom plan view of the sterilization cassette illustrated in FIG. 1; FIG. 8 is a perspective view of a sterilization cassette in accordance with a second embodiment of the present invention; FIG. 9 is a front elevational view of the sterilization cassette illustrated in FIG. 8; FIG. 10 is a rear elevational view of the sterilization cassette illustrated in FIG. 8; FIG. 11 is a right side elevational view of the sterilization cassette illustrated in FIG. 8; FIG. 12 is a left side elevational view of the sterilization cassette illustrated in FIG. 8; FIG. 13 is a top plan view of the sterilization cassette illustrated in FIG. 8; and, FIG. 14 is a bottom plan view of the sterilization cassette illustrated in FIG. 8. The broken lines in the drawing views illustrate unclaimed portions of the sterilization cassette and form no part of the claimed design.

1 Claim, 8 Drawing Sheets

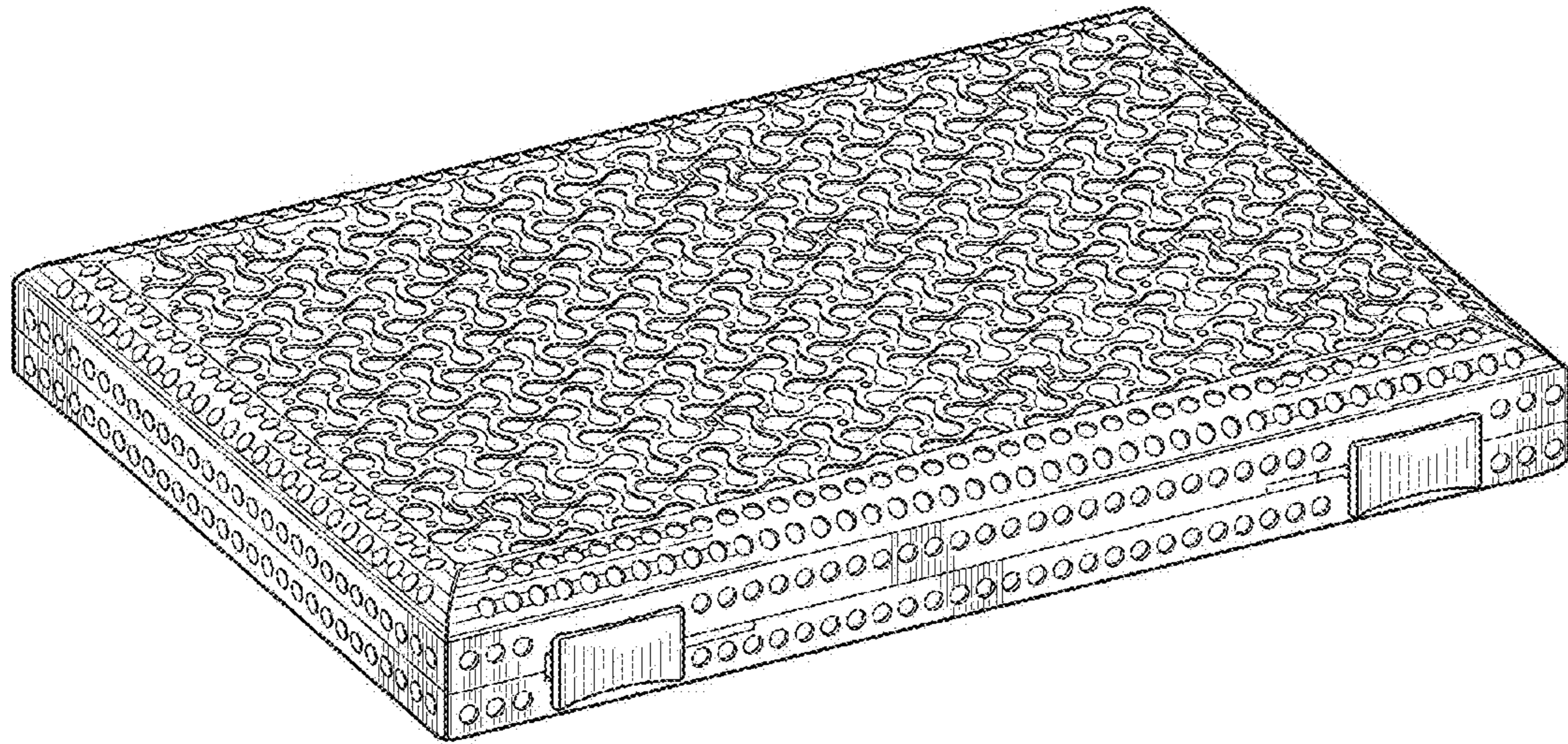


FIG. 1

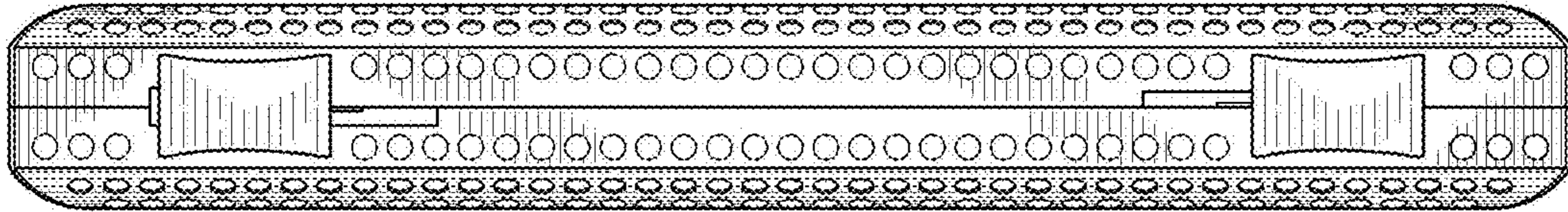


FIG. 2

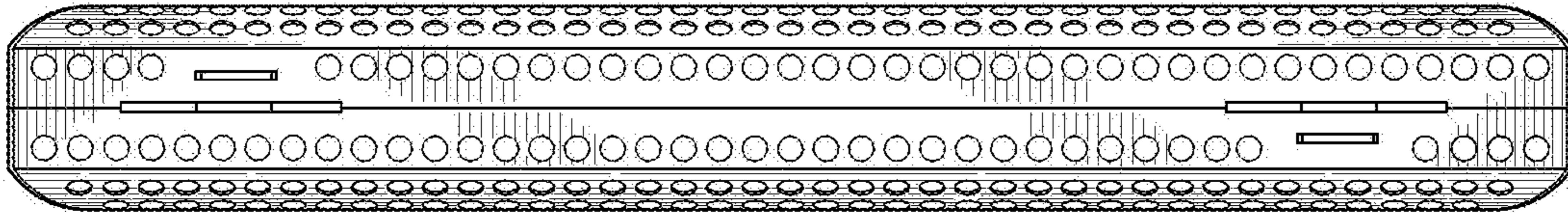


FIG. 3

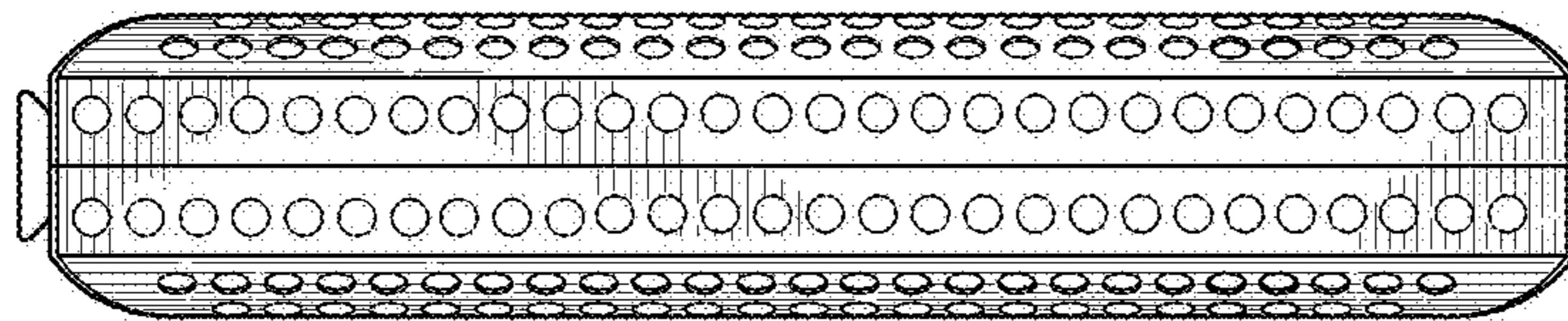


FIG. 4

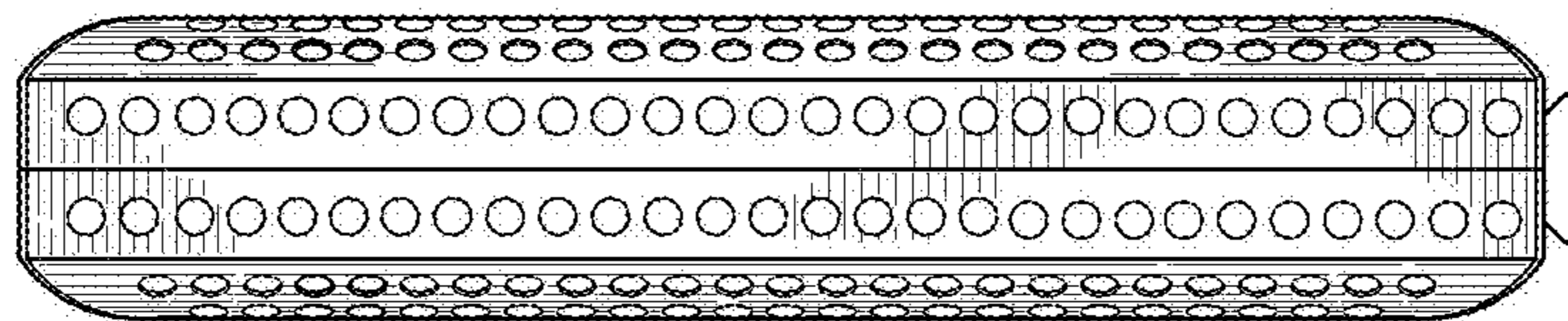


FIG. 5

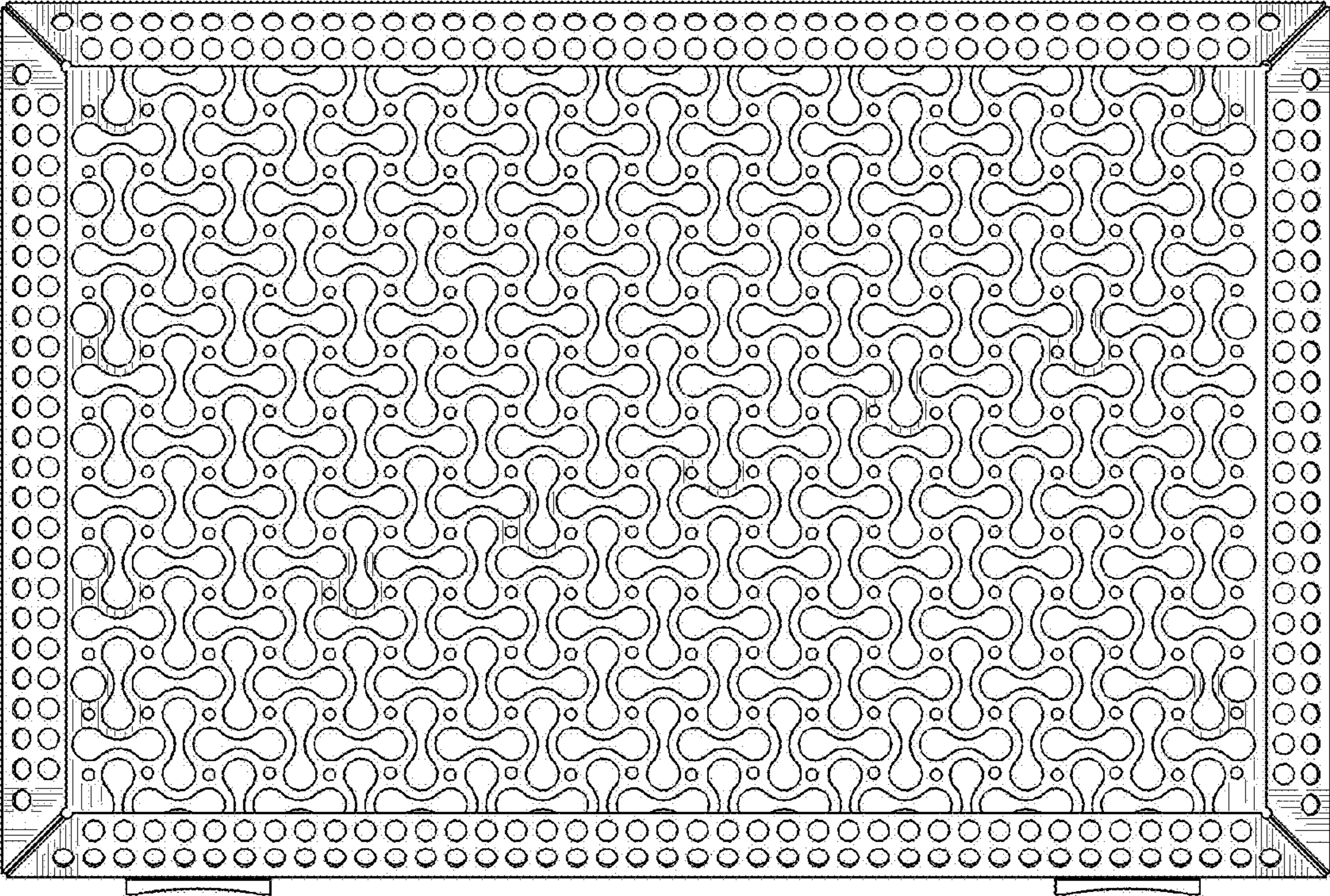


FIG. 6

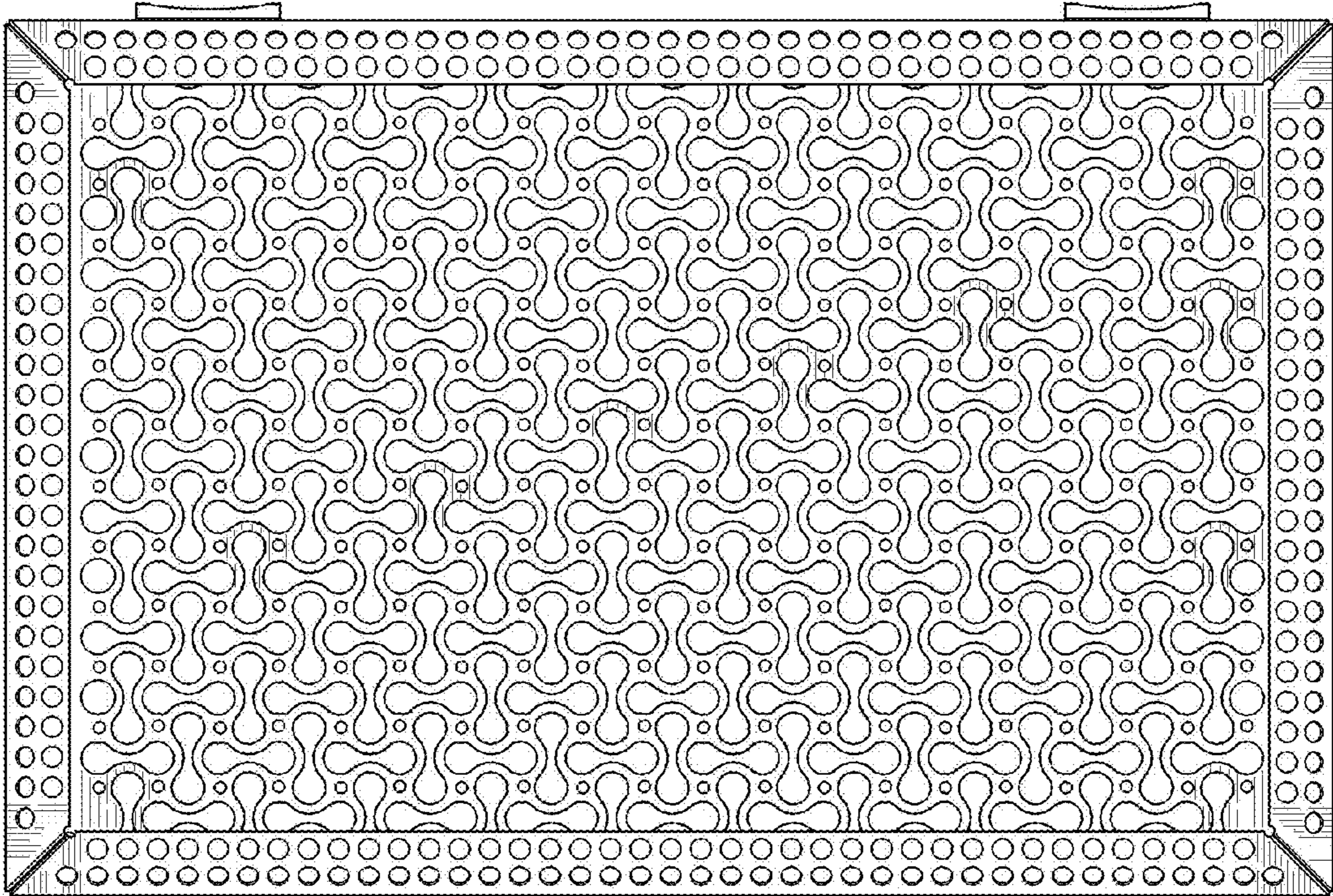


FIG. 7

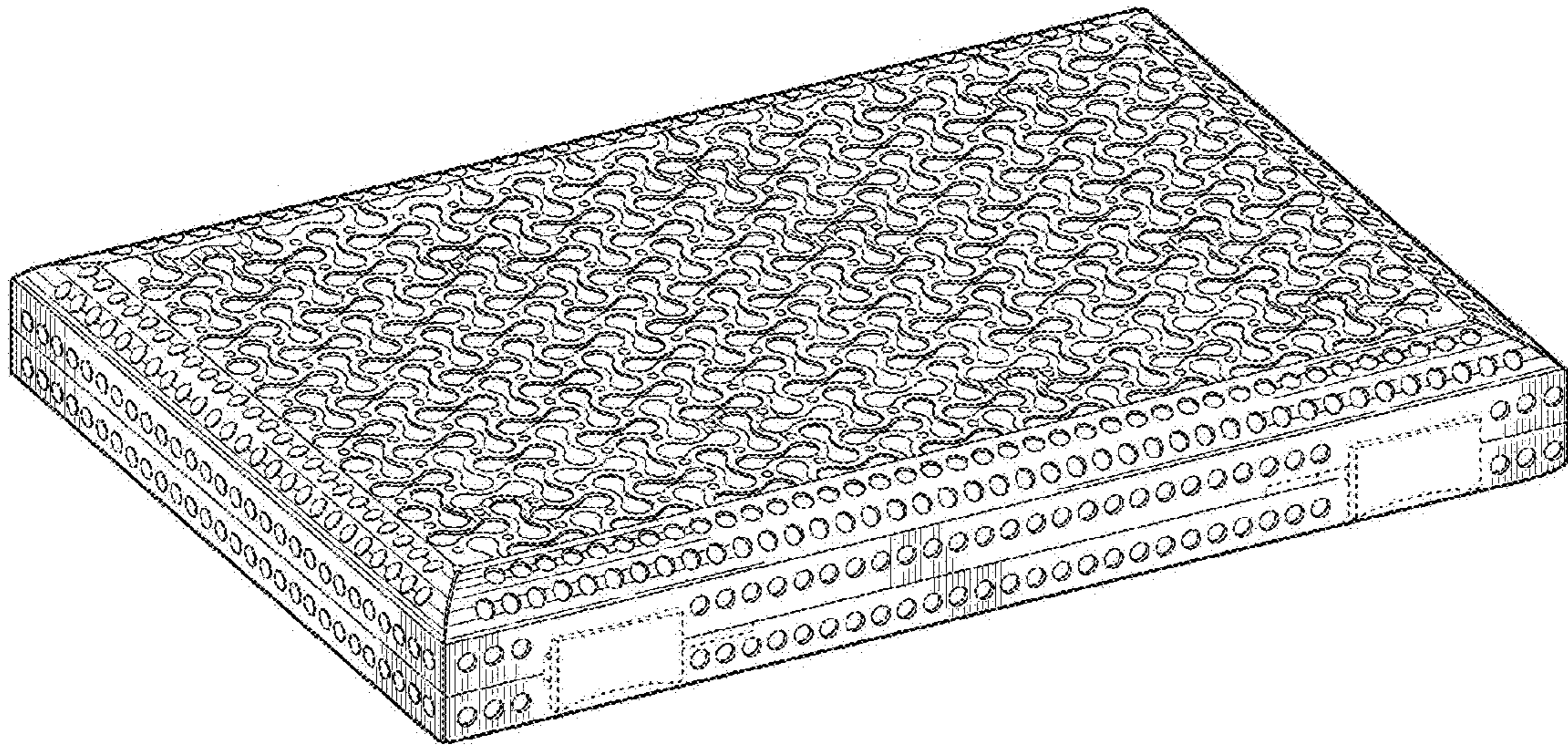


FIG. 8

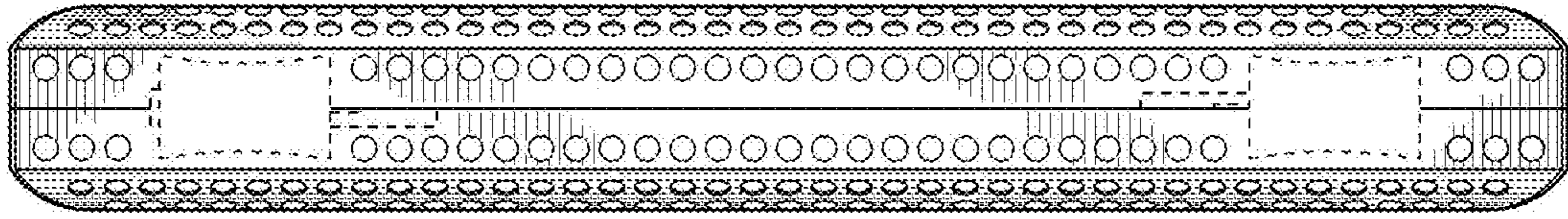


FIG. 9

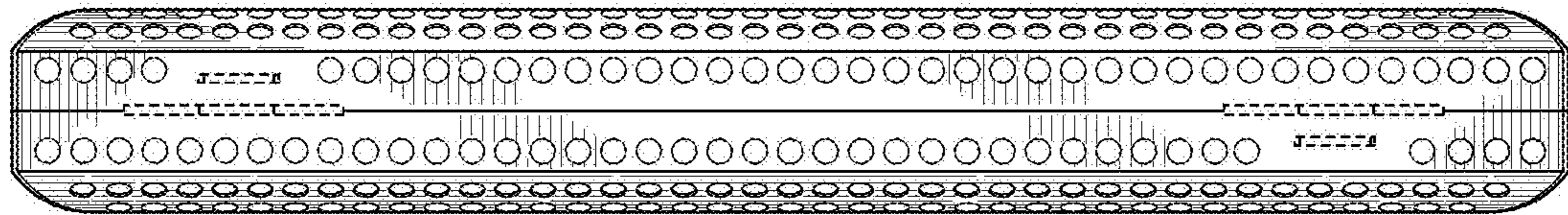


FIG. 10

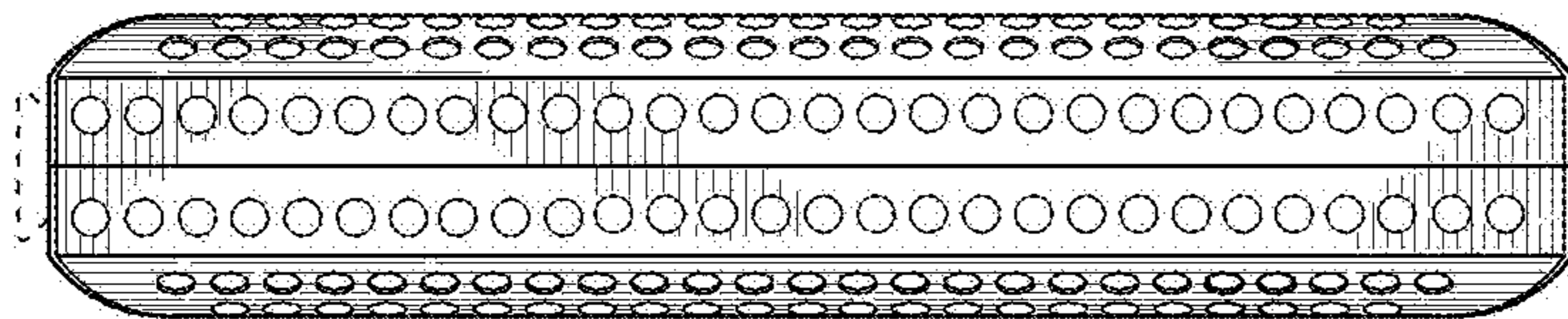


FIG. 11

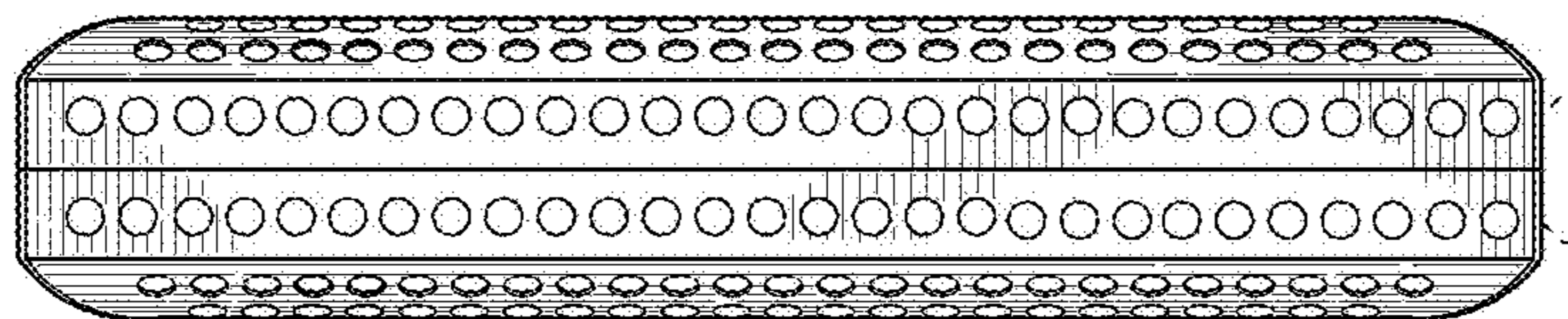


FIG. 12

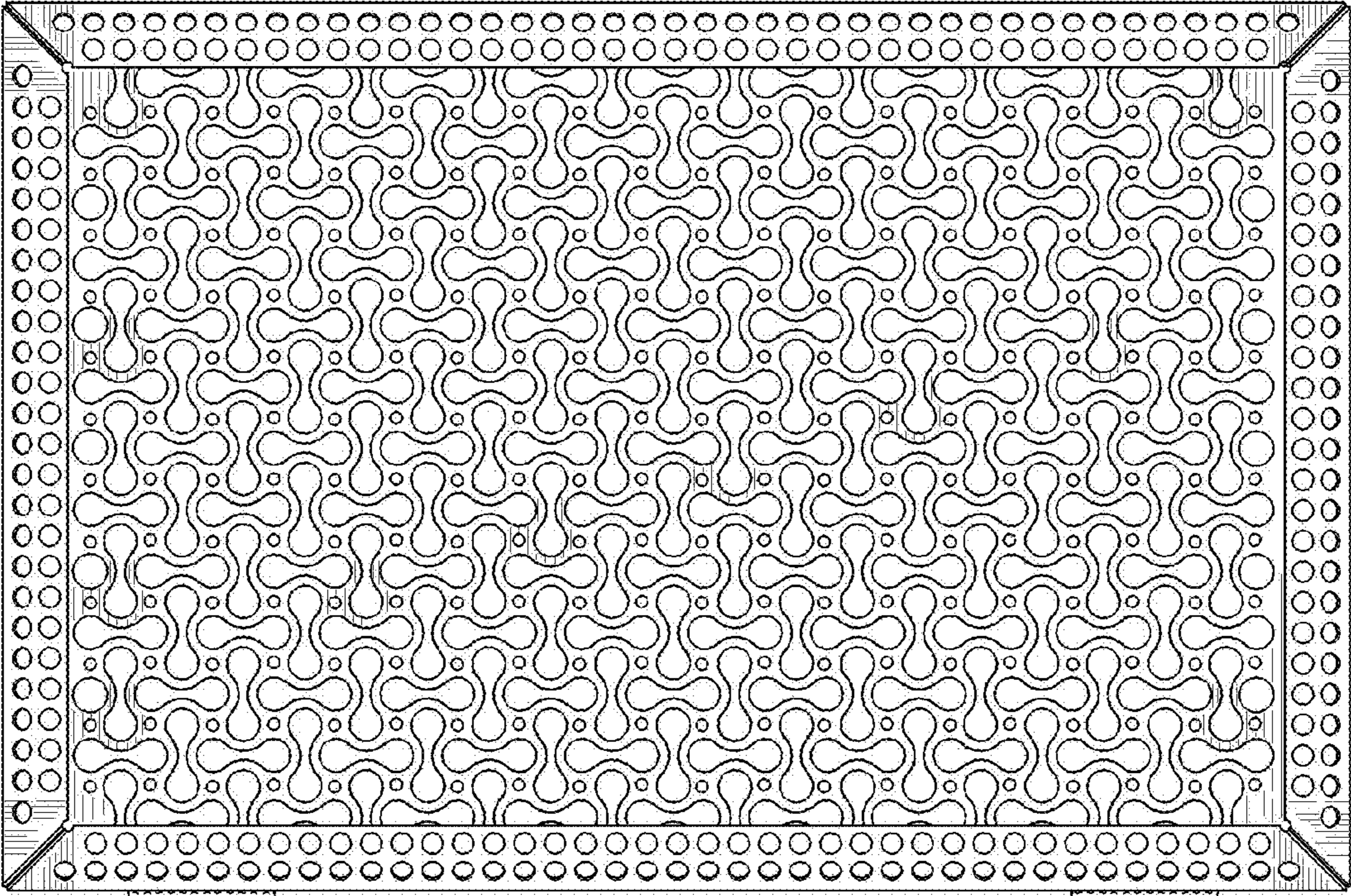


FIG. 13

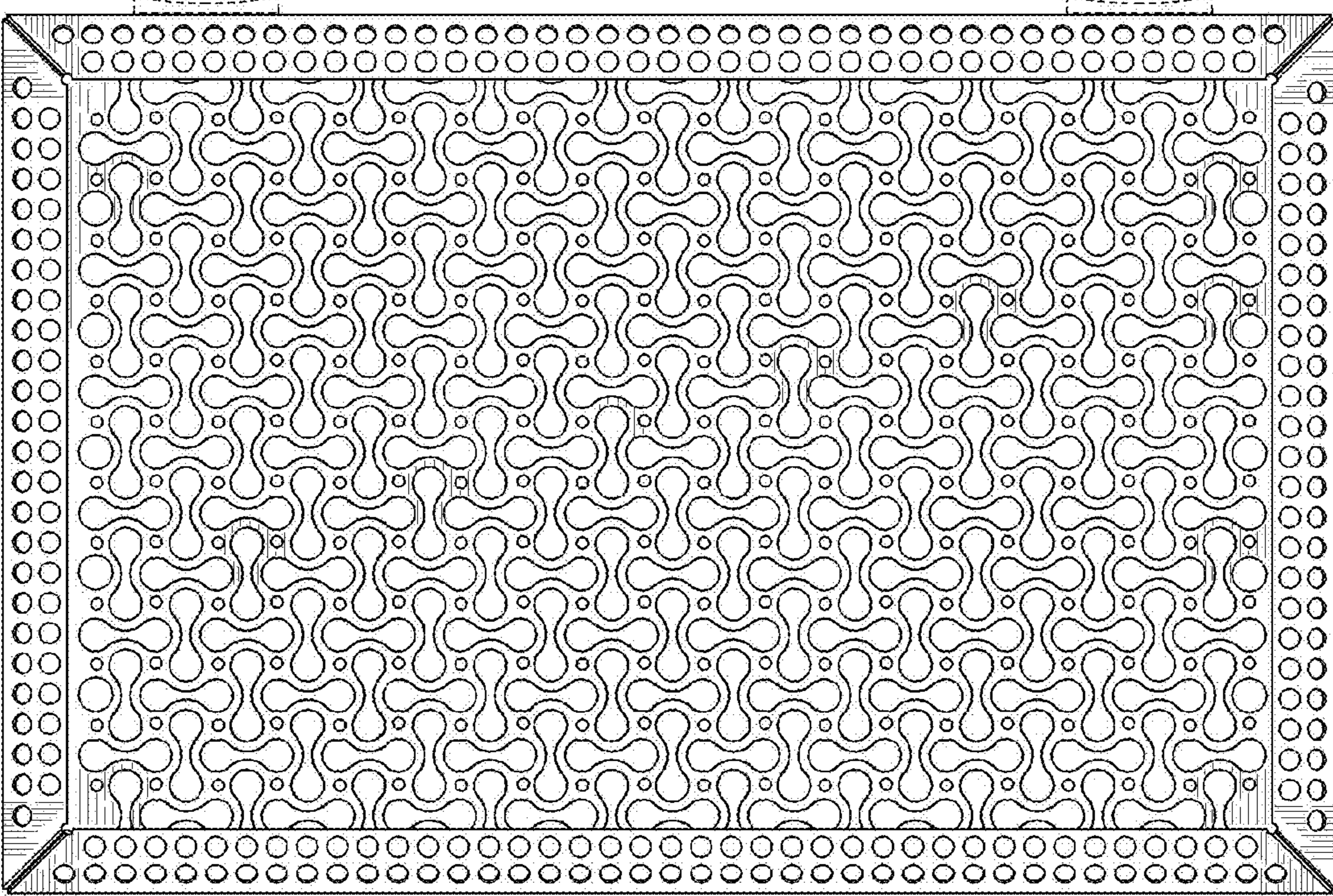


FIG. 14