

US00D764066S

(12) **United States Design Patent**
Somjee

(10) **Patent No.:** **US D764,066 S**

(45) **Date of Patent:** **** Aug. 16, 2016**

(54) **MESSAGE ROLLER**

(71) Applicant: **Ardhiat Somjee**, Burnaby (AU)

(72) Inventor: **Ardhiat Somjee**, Burnaby (AU)

(**) Term: **14 Years**

(21) Appl. No.: **29/490,310**

(22) Filed: **May 8, 2014**

(30) **Foreign Application Priority Data**

Nov. 8, 2013 (AU) 15738/2013

(51) **LOC (10) Cl.** **28-03**

(52) **U.S. Cl.**
USPC **D24/211**

(58) **Field of Classification Search**
USPC D24/200, 211, 212, 213, 214, 215;
601/112, 113, 118, 120, 123, 125, 128,
601/129, 131, 134, 135, DIG. 14, DIG. 15,
601/DIG. 17

See application file for complete search history.

(56) **References Cited**

U.S. PATENT DOCUMENTS

3,548,814 A * 12/1970 Montgomery et al. 601/118
D253,373 S * 11/1979 Celeste D24/212
D361,132 S * 8/1995 Lee D24/200
D417,319 S * 11/1999 Weiss, Jr. D30/160
6,129,687 A * 10/2000 Powell et al. 601/15
D475,464 S * 6/2003 Chen D24/211

D477,414 S * 7/2003 Chen D24/211
D527,830 S * 9/2006 Chien D24/211
D637,244 S * 5/2011 Davis et al. D21/662
D654,970 S * 2/2012 Daves D21/662
D660,450 S * 5/2012 Johnson D24/215
D688,384 S * 8/2013 Ateya Soliman D24/215
D689,155 S * 9/2013 Jahns D21/692
D693,934 S * 11/2013 Lin D24/215
D713,050 S * 9/2014 Kao D24/211

* cited by examiner

Primary Examiner — Sandra Snapp

(74) *Attorney, Agent, or Firm* — Winthrop & Weinstine, P.A.

(57) **CLAIM**

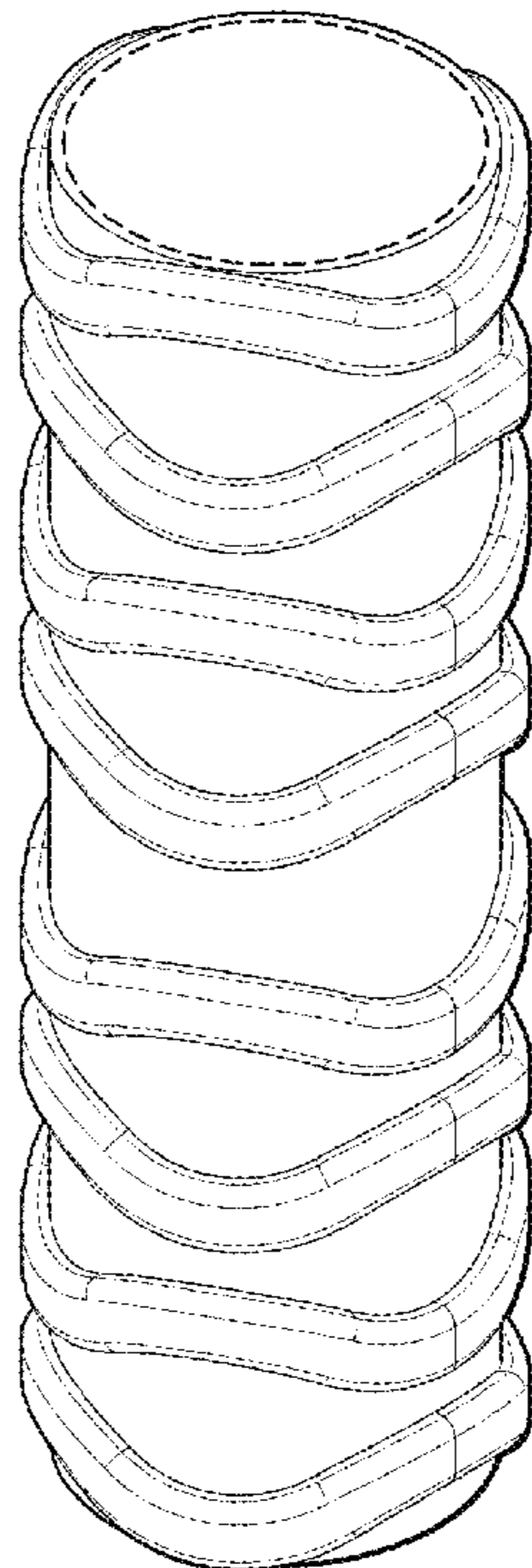
The ornamental design for a massage roller, as shown and described.

DESCRIPTION

FIG. 1 is a front perspective view from above of the massage roller showing the design;
FIG. 2 is a rear perspective view from below;
FIG. 3 is a front view thereof;
FIG. 4 is a rear thereof;
FIG. 5 is a left side view thereof;
FIG. 6 is a right side view thereof;
FIG. 7 is a top view thereof; and,
FIG. 8 is a bottom view thereof.

The portions of the disclosure shown in broken lines form no part of the claimed design.

1 Claim, 8 Drawing Sheets



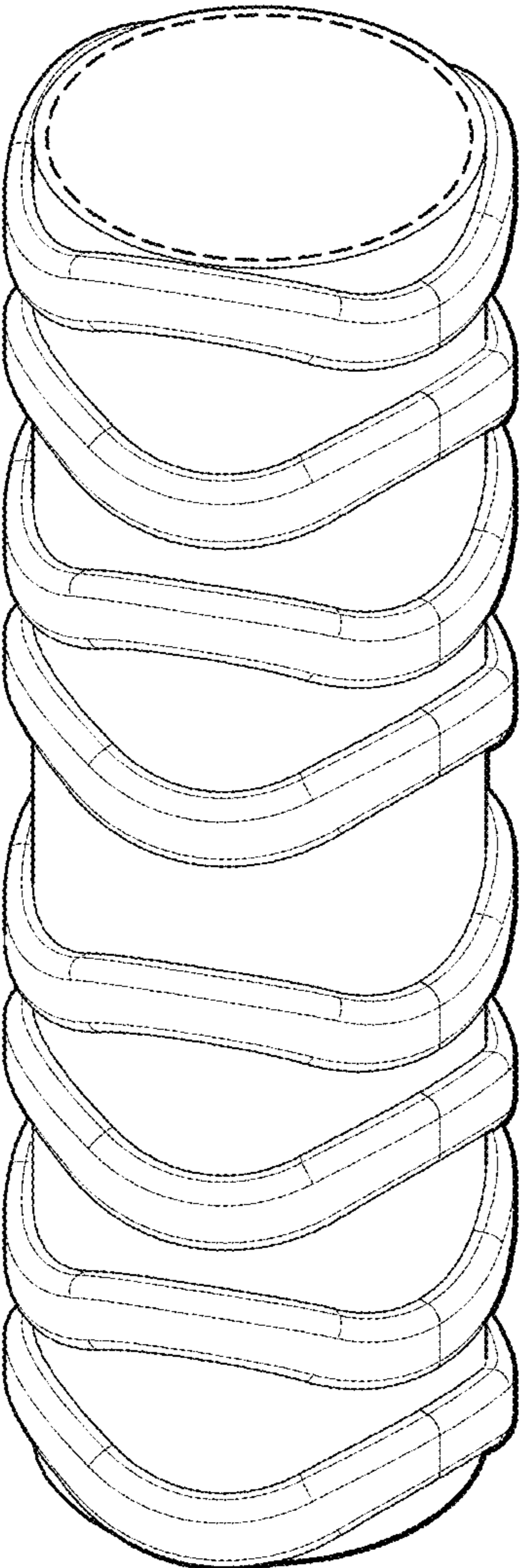


FIG. 1

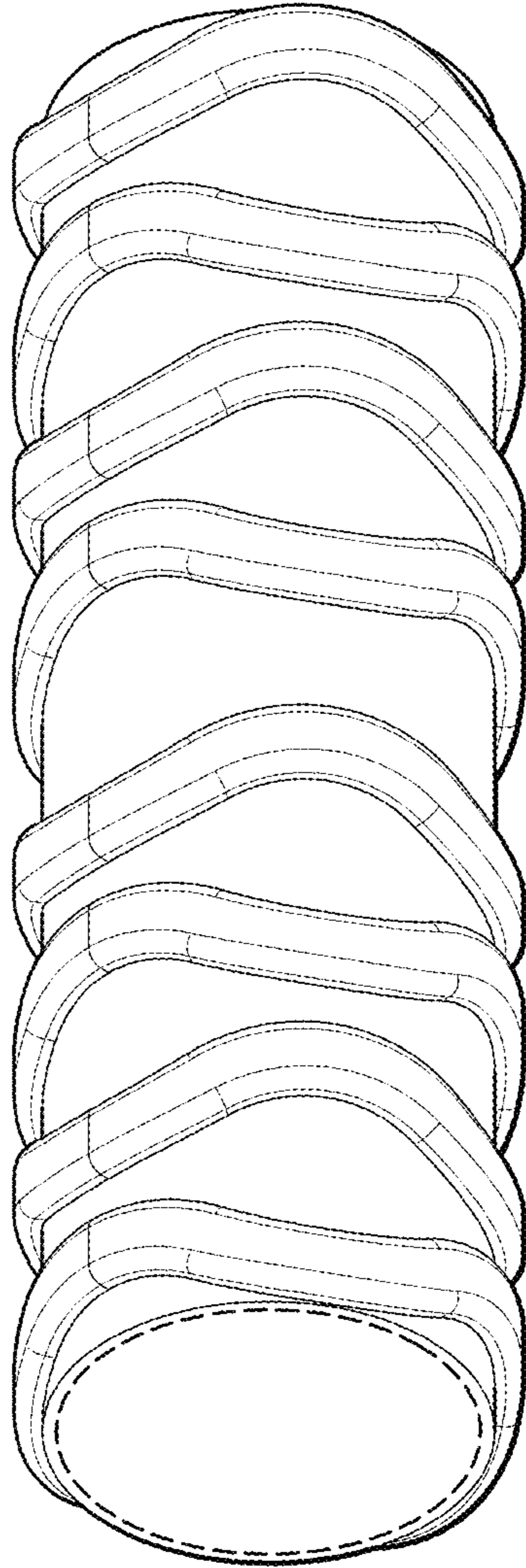


FIG. 2

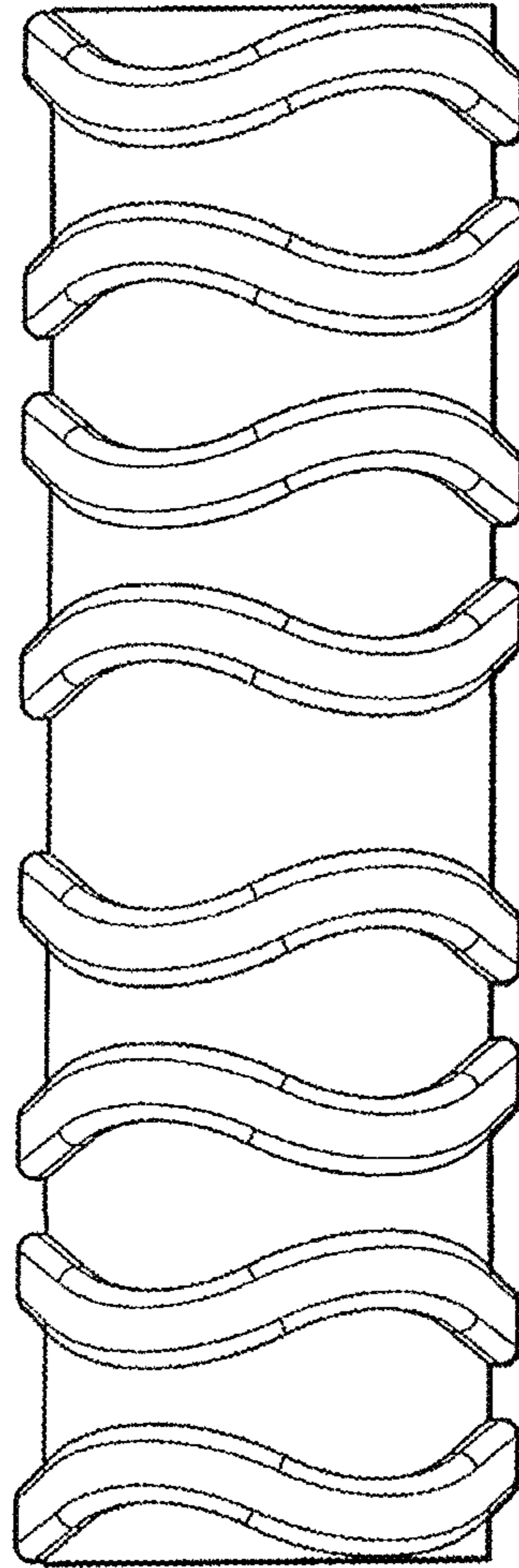


FIG. 3

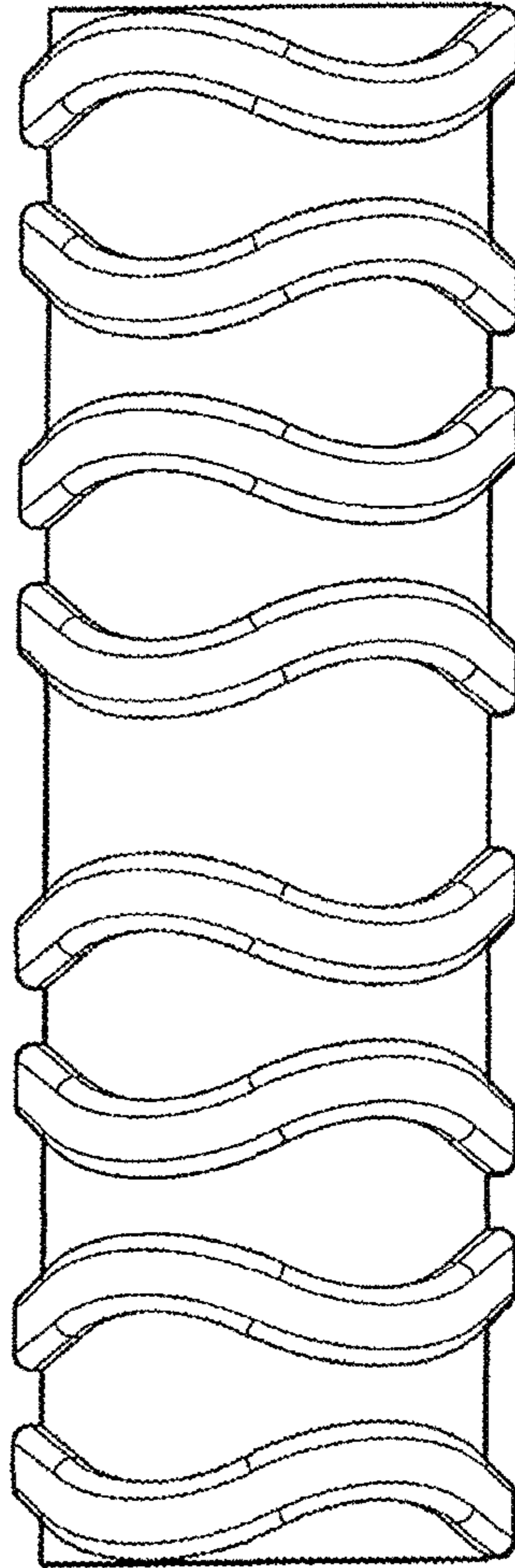


FIG. 4

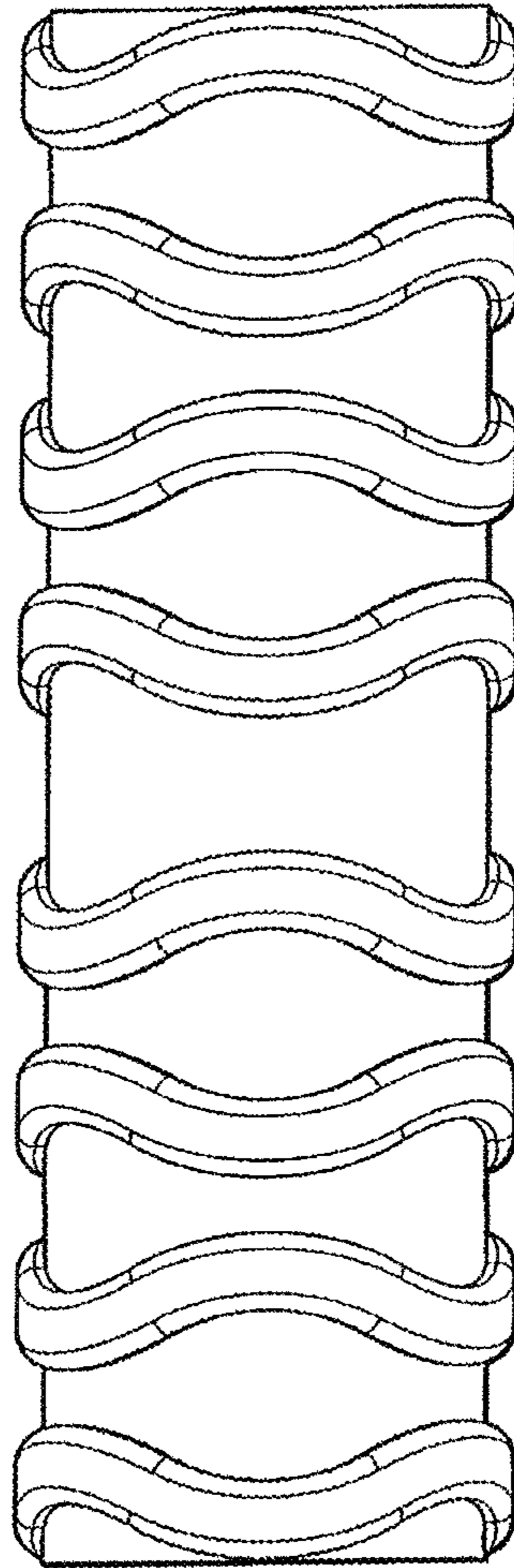


FIG. 5

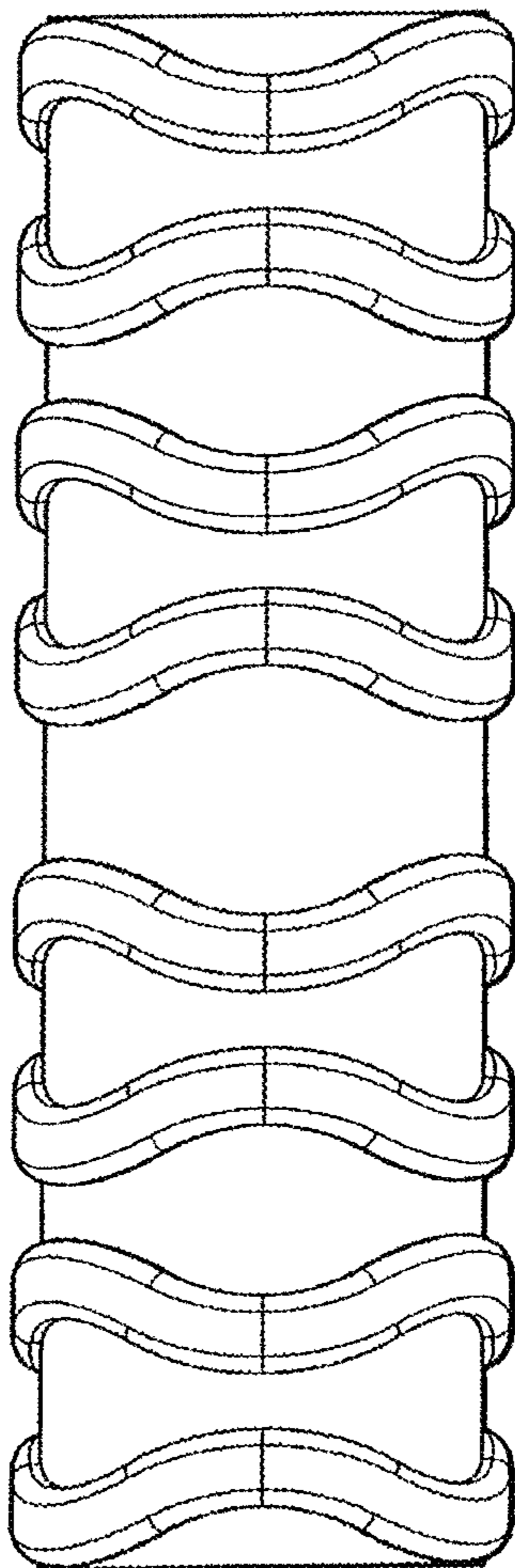


FIG. 6

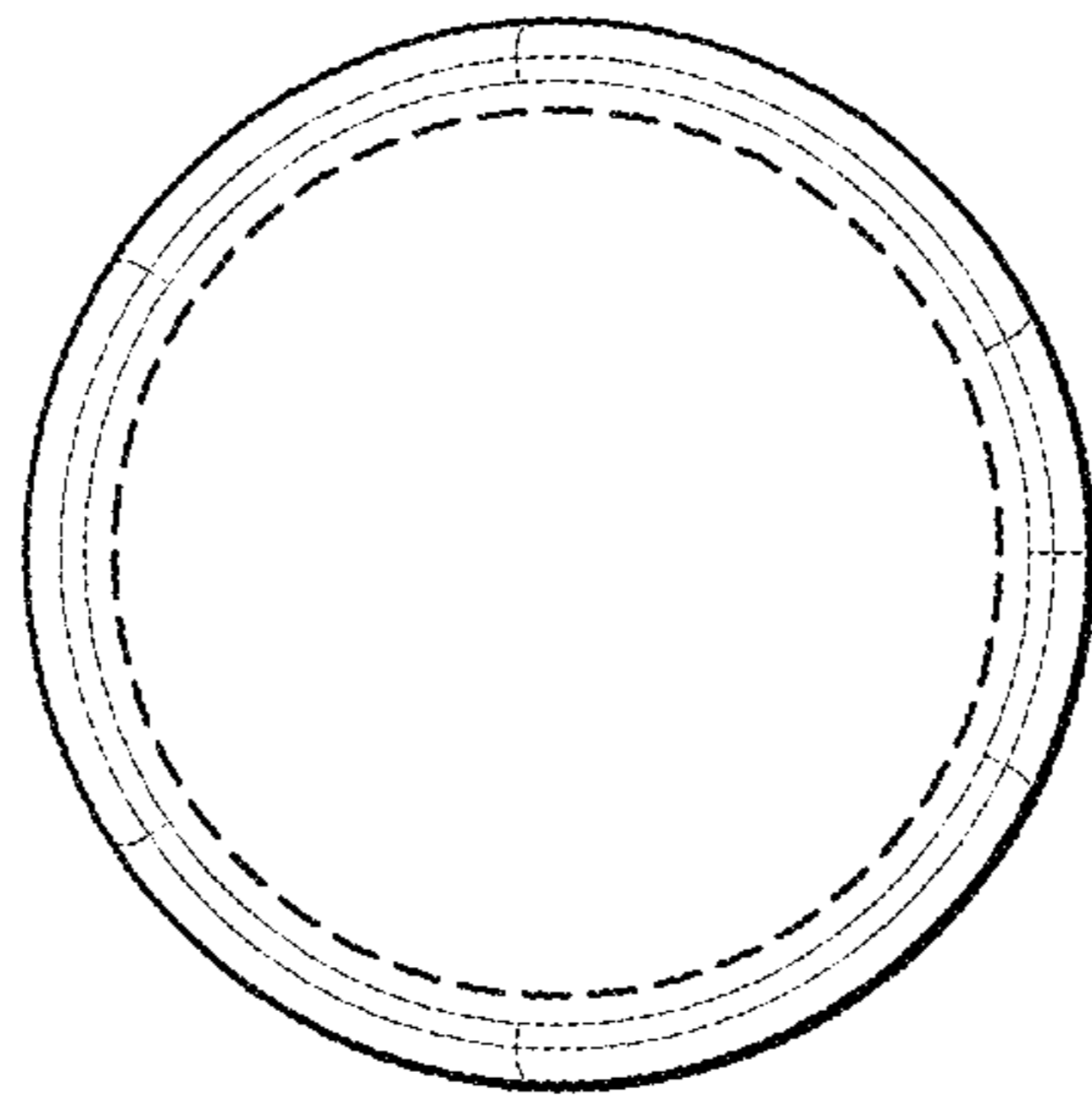


FIG. 7

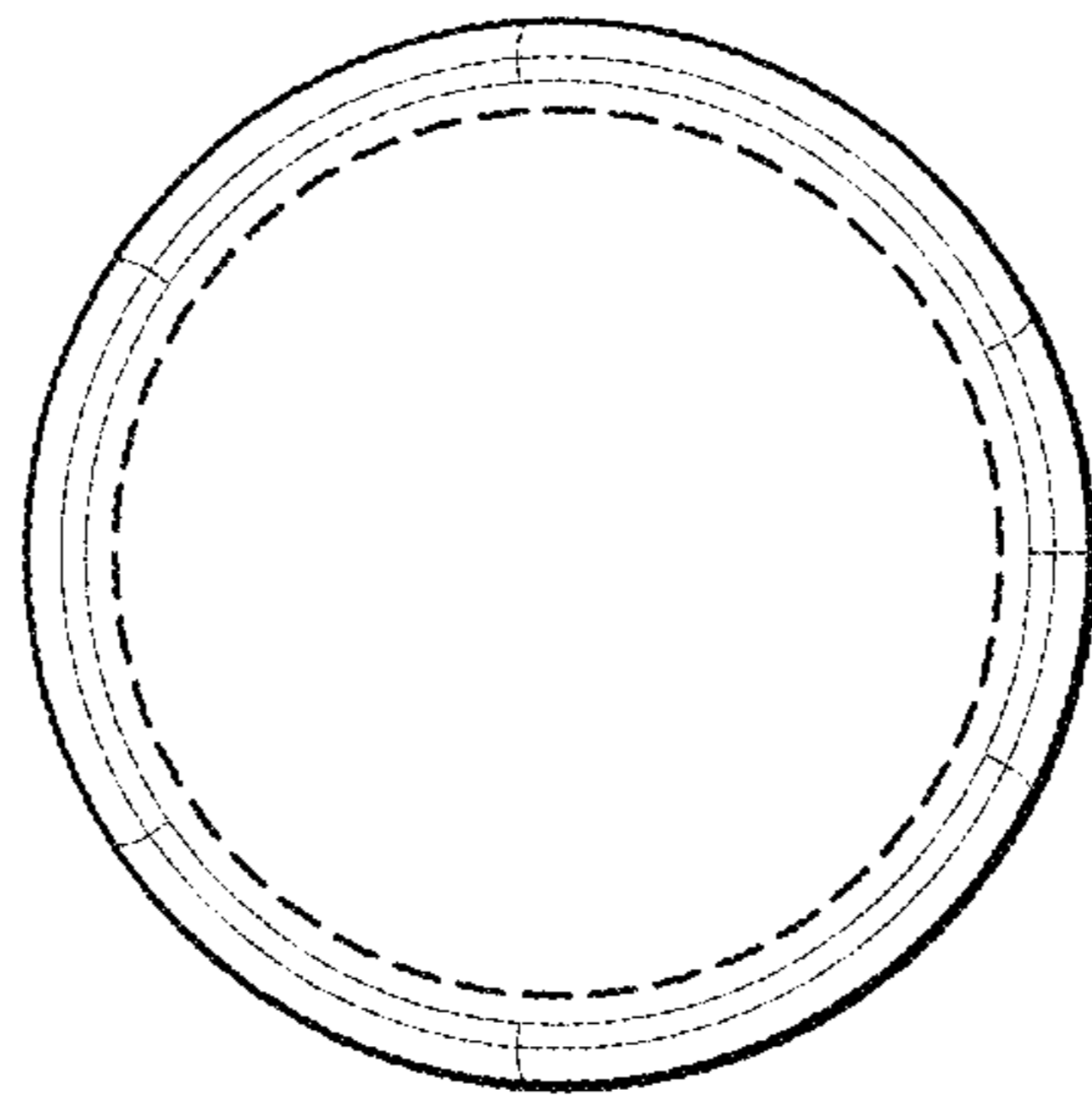


FIG. 8