

US00D764065S

(12) **United States Design Patent**
Schaberreiter et al.

(10) **Patent No.:** **US D764,065 S**
(45) **Date of Patent:** **** Aug. 16, 2016**

(54) **FOOT WARMER**

(56) **References Cited**

(71) Applicant: **SturiaTronic Projektmanagement GmbH, Hartberg (AT)**
(72) Inventors: **Martin Schaberreiter, Waldbach (AT); Stefan Lenz, Schwarzach (AT); Gerhard Kremer, Furstenfeld (AT)**
(73) Assignee: **STURIATRONIC PROJEKTMANAGEMENT GMBH, Hartberg (AT)**

U.S. PATENT DOCUMENTS

D363,555 S * 10/1995 Lie D24/213
D363,556 S * 10/1995 Katsunuma D24/213
D542,927 S * 5/2007 Harris D24/212
D602,597 S * 10/2009 Nomi D24/206
D625,021 S * 10/2010 Stoddard D24/212
D648,859 S * 11/2011 Ng D24/212
8,241,232 B2 * 8/2012 Sanders A61H 1/0266
36/11.5
D717,962 S * 11/2014 Chen D24/213
D738,518 S * 9/2015 Lischinsky D24/206
2007/0078361 A1 * 4/2007 Wong A61H 7/001
601/29
2013/0244074 A1 * 9/2013 Kremer H01M 2/1022
429/96

(**) Term: **14 Years**

* cited by examiner

(21) Appl. No.: **29/486,910**

Primary Examiner — Ian Simmons
Assistant Examiner — Samantha Q Lawrence
(74) *Attorney, Agent, or Firm* — Young & Thompson

(22) Filed: **Apr. 3, 2014**

(57) **CLAIM**

The ornamental design for a foot warmer, as shown and described.

(30) **Foreign Application Priority Data**

Oct. 3, 2013 (EM) 002319970-0001
Oct. 3, 2013 (EM) 002319970-0003
Oct. 3, 2013 (EM) 002319970-0004

DESCRIPTION

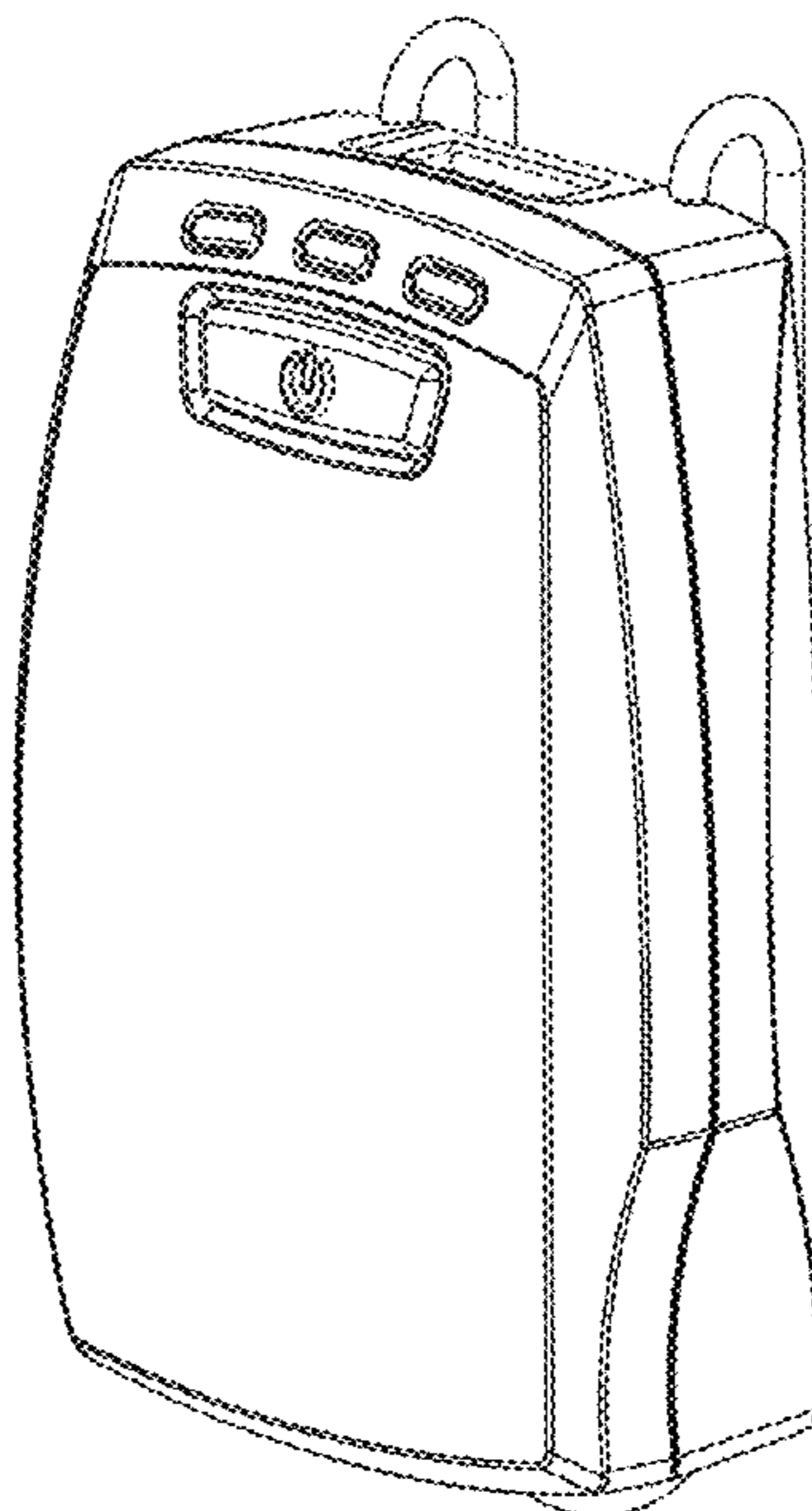
FIG. 1 is a front elevation view of a foot warmer showing the new design;
FIG. 2 is a right side elevation view thereof;
FIG. 3 is a left side elevation view thereof;
FIG. 4 is a bottom plan view thereof;
FIG. 5 is a top plan view thereof;
FIG. 6 is a rear elevation view thereof; and,
FIG. 7 is a front, top, and left side perspective view thereof.
The portions of the design shown in broken lines are portions of the foot warmer that form no part of the claimed design.

(51) **LOC (10) Cl.** **24-02**

(52) **U.S. Cl.**
USPC **D24/206**

(58) **Field of Classification Search**
USPC D24/206, 207, 208, 211, 212, 213, 214;
601/28, 29, 61, 64, 124, 125, 130
See application file for complete search history.

1 Claim, 7 Drawing Sheets



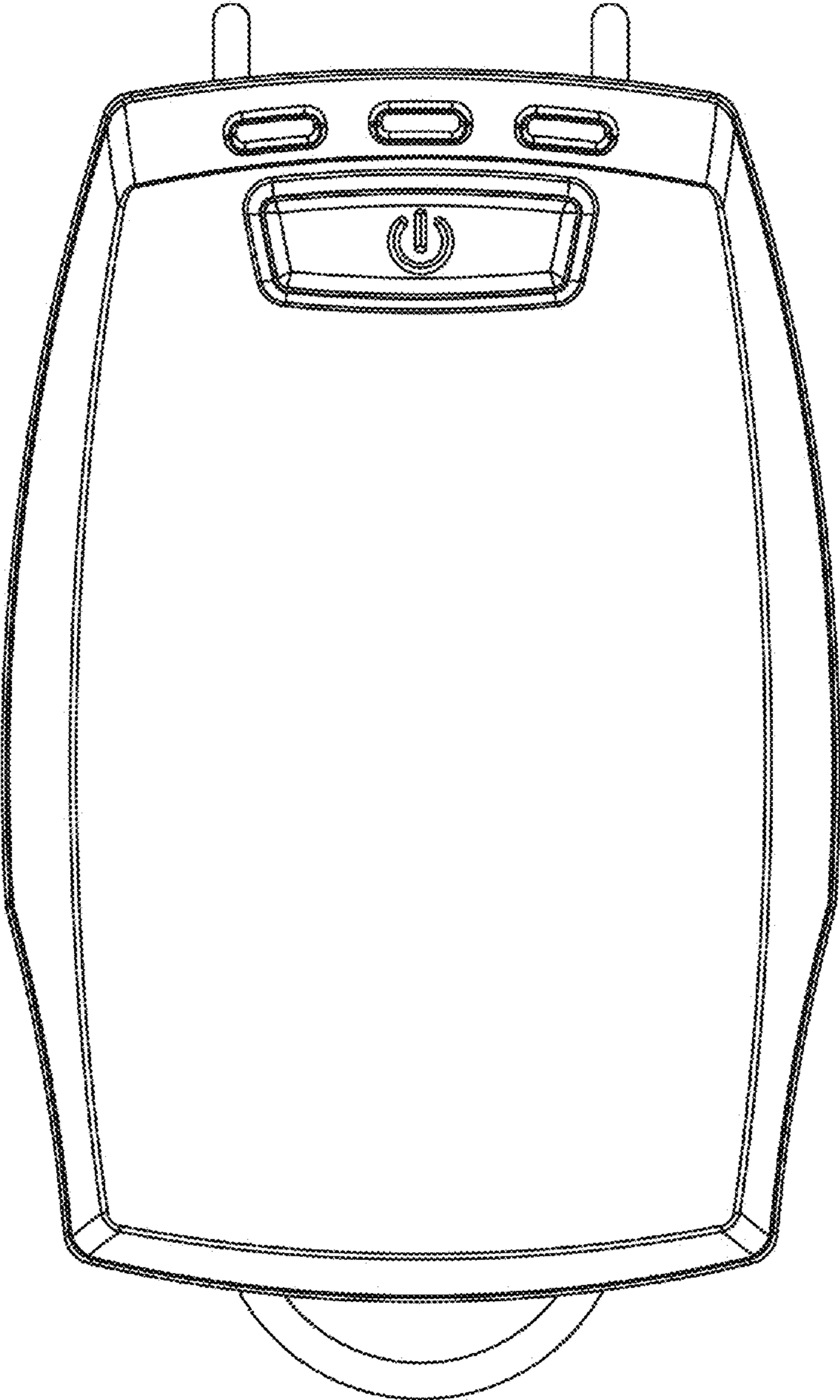


Fig. 1

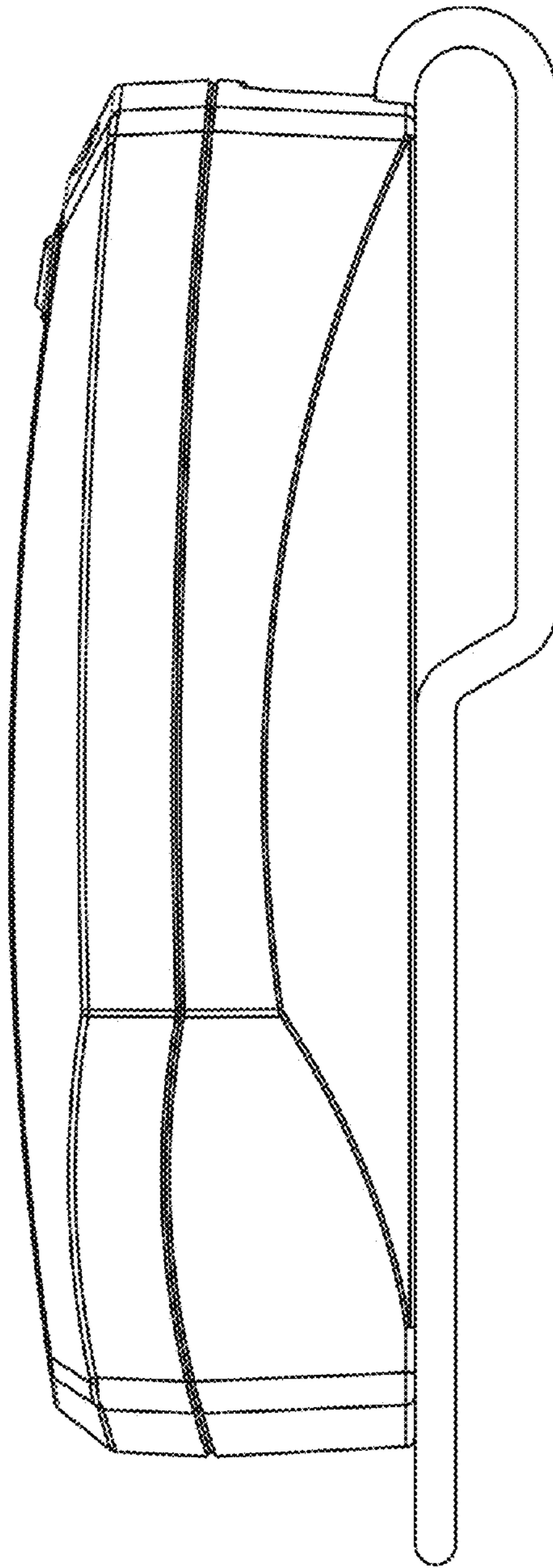


Fig. 2

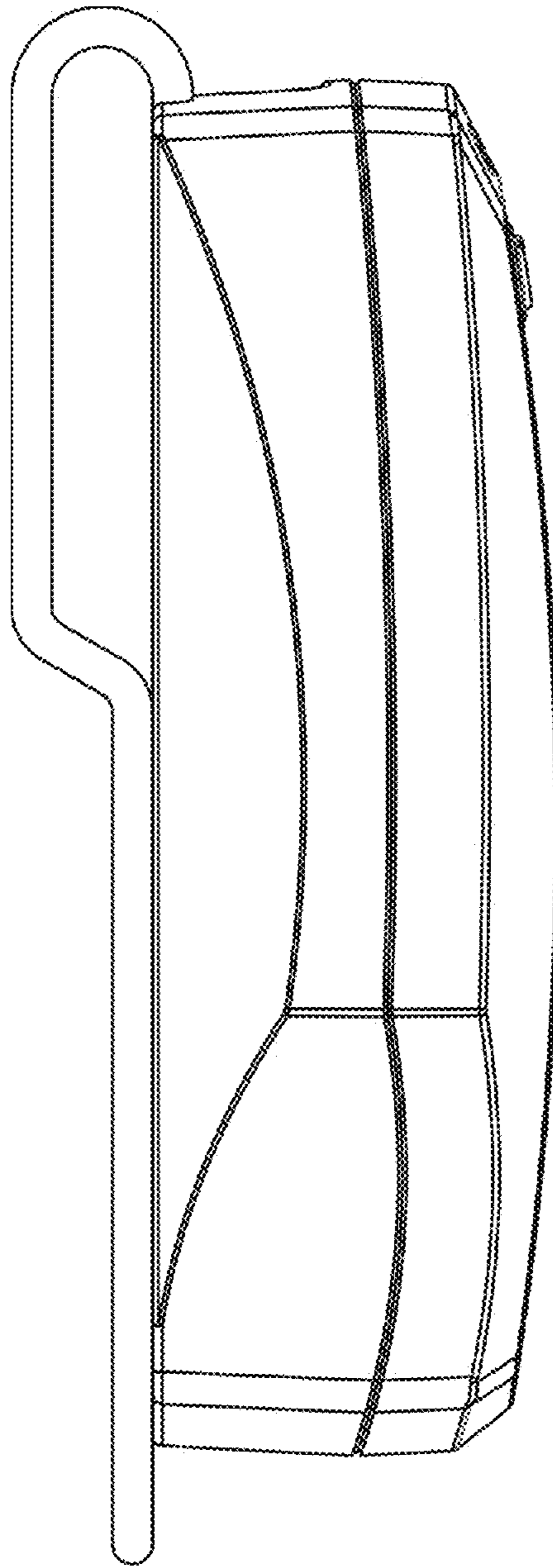


Fig. 3

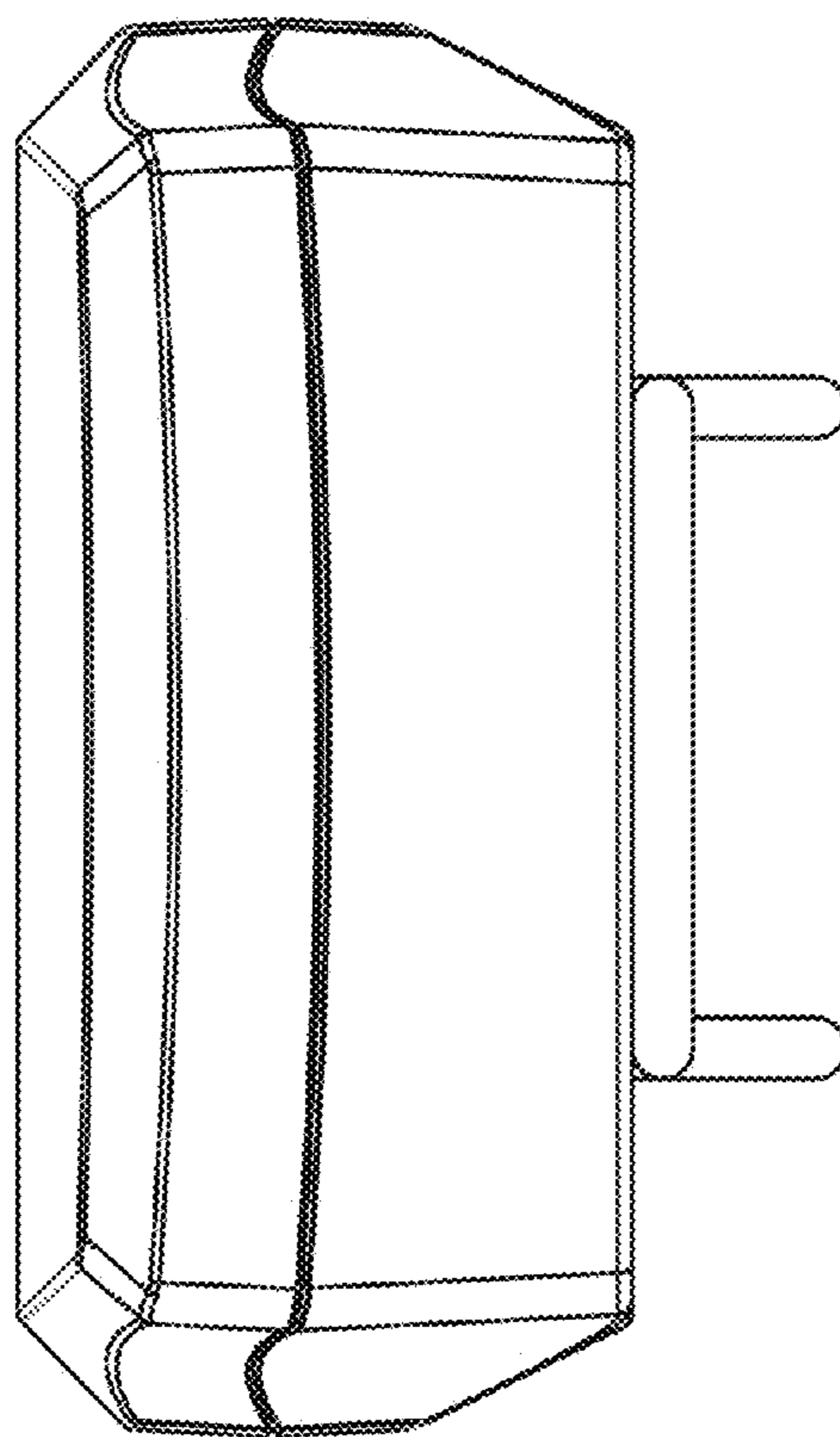


Fig. 4

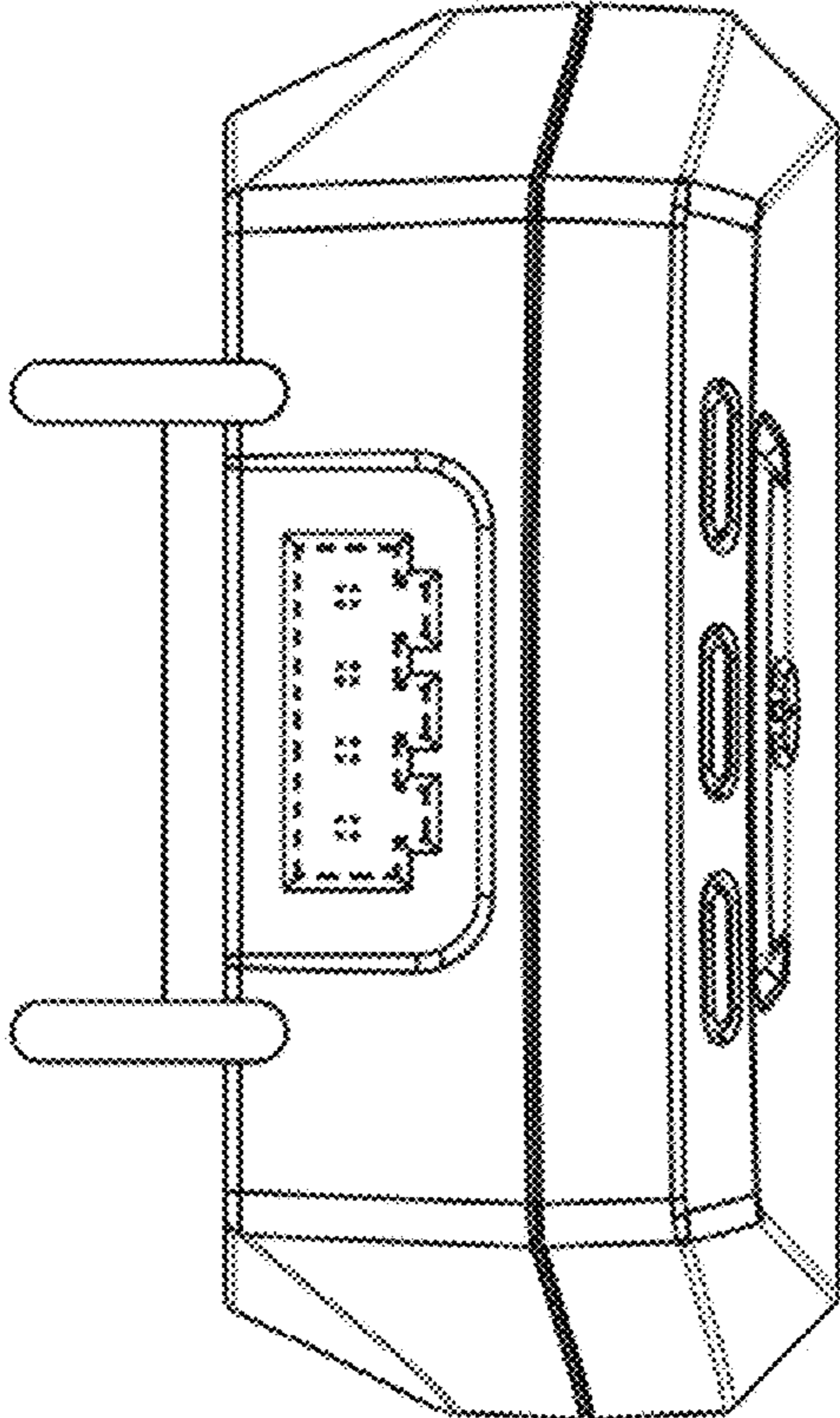


Fig. 5

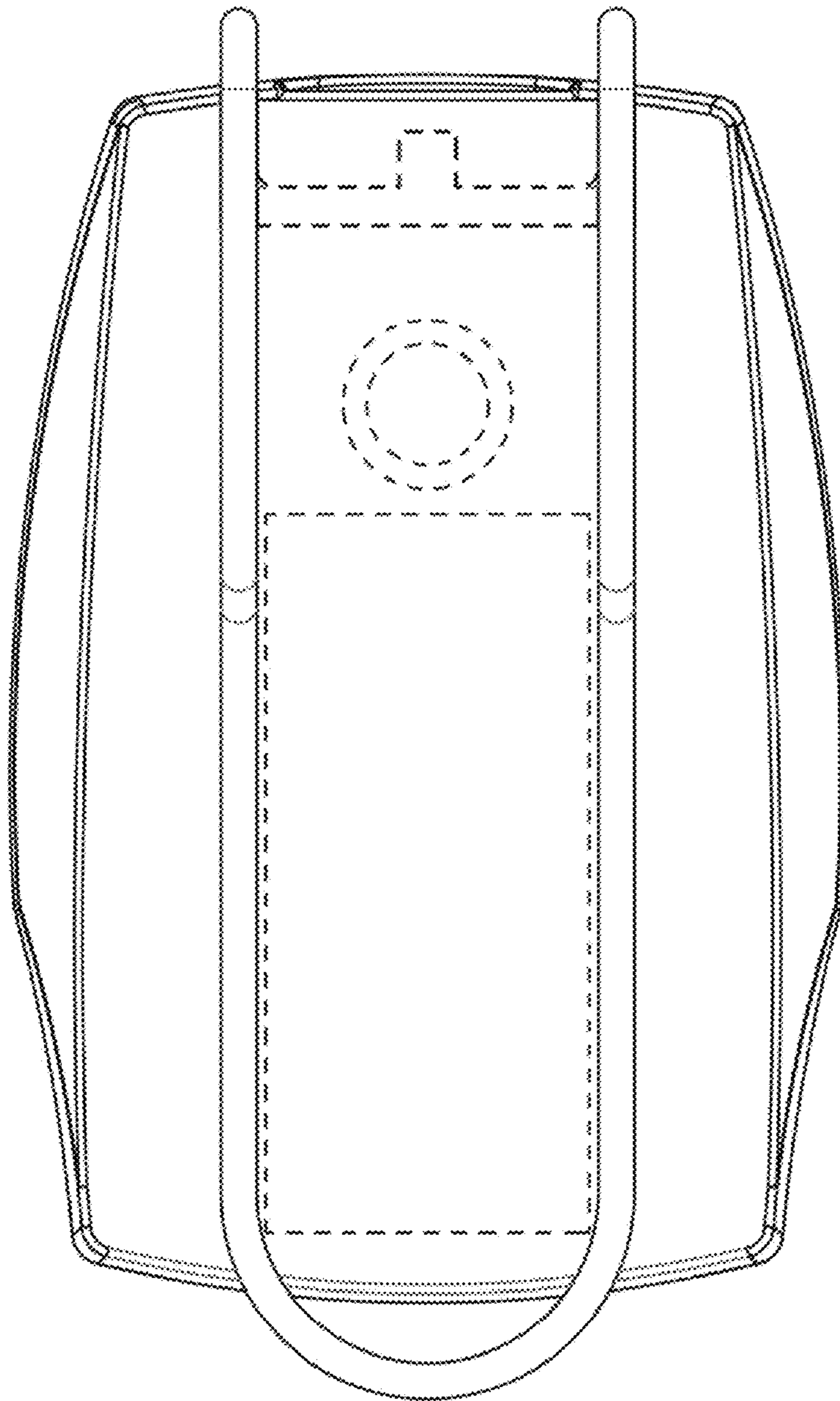


Fig. 6

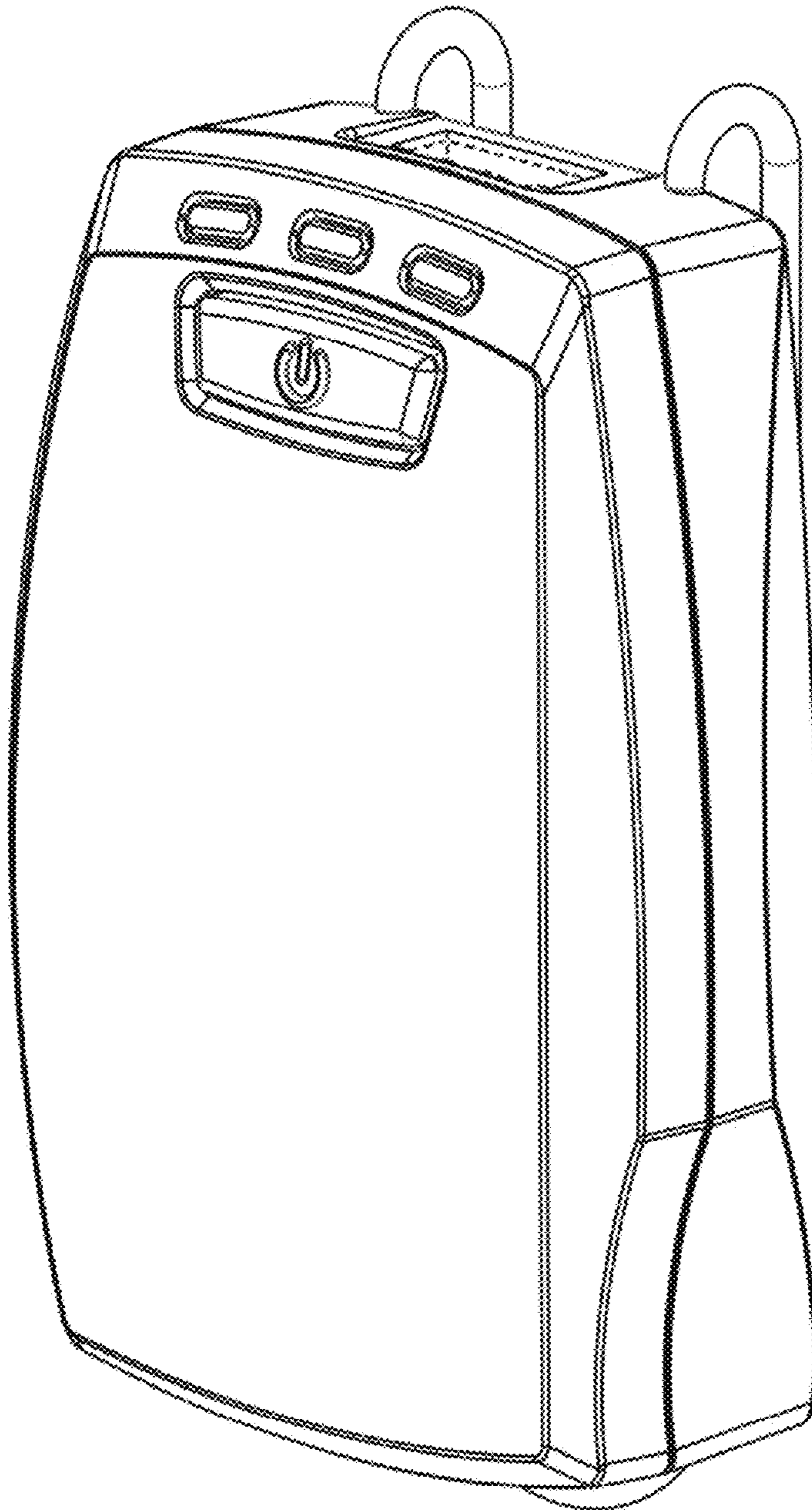


Fig. 7