



US00D764063S

(12) **United States Design Patent**  
**Nurminen**

(10) **Patent No.:** **US D764,063 S**  
(45) **Date of Patent:** **\*\* Aug. 16, 2016**

(54) **MEDICAL EQUIPMENT SUBCOMPONENT**

(71) Applicant: **Ari Nurminen**, Lahti (FI)  
(72) Inventor: **Ari Nurminen**, Lahti (FI)  
(73) Assignee: **MERIVAARA OY**, Lahti (FI)  
(\*\*) Term: **14 Years**  
(21) Appl. No.: **29/491,165**  
(22) Filed: **May 19, 2014**  
(30) **Foreign Application Priority Data**

3,797,819 A \* 3/1974 Platz ..... A61G 13/06  
108/147  
4,003,341 A \* 1/1977 La Croix ..... A61D 3/00  
119/756  
4,459,941 A \* 7/1984 Moffatt ..... A61D 3/00  
119/722  
5,156,166 A \* 10/1992 Sebring ..... A61B 6/0457  
378/209  
6,532,609 B2 \* 3/2003 Taylor ..... A61G 13/009  
108/29  
8,210,109 B1 \* 7/2012 Dewees ..... A47B 9/10  
108/147  
2006/0053557 A1 \* 3/2006 Damron ..... A61G 13/121  
5/640

Nov. 19, 2013 (EM) ..... 002348318-0003

\* cited by examiner

(51) **LOC (10) Cl.** ..... **24-01**

*Primary Examiner* — Zenia Bennett

(52) **U.S. Cl.**  
USPC ..... **D24/184**

(74) *Attorney, Agent, or Firm* — Klauber & Jackson LLC

(58) **Field of Classification Search**  
USPC ..... D24/183, 184, 200, 127, 171, 185, 158;  
D6/418, 366, 601; 5/636, 640, 632,  
5/622, 623; 128/845, 846, 869, 849;  
602/16; 248/118.1, 118.3, 230.2, 118,  
248/118.5, 279.1, 125.9; D12/421  
CPC .. A61B 1/0051; A61B 1/00142; A61B 19/08;  
A61B 19/081  
See application file for complete search history.

(57) **CLAIM**

The ornamental design for a medical equipment subcomponent, as shown and described.

**DESCRIPTION**

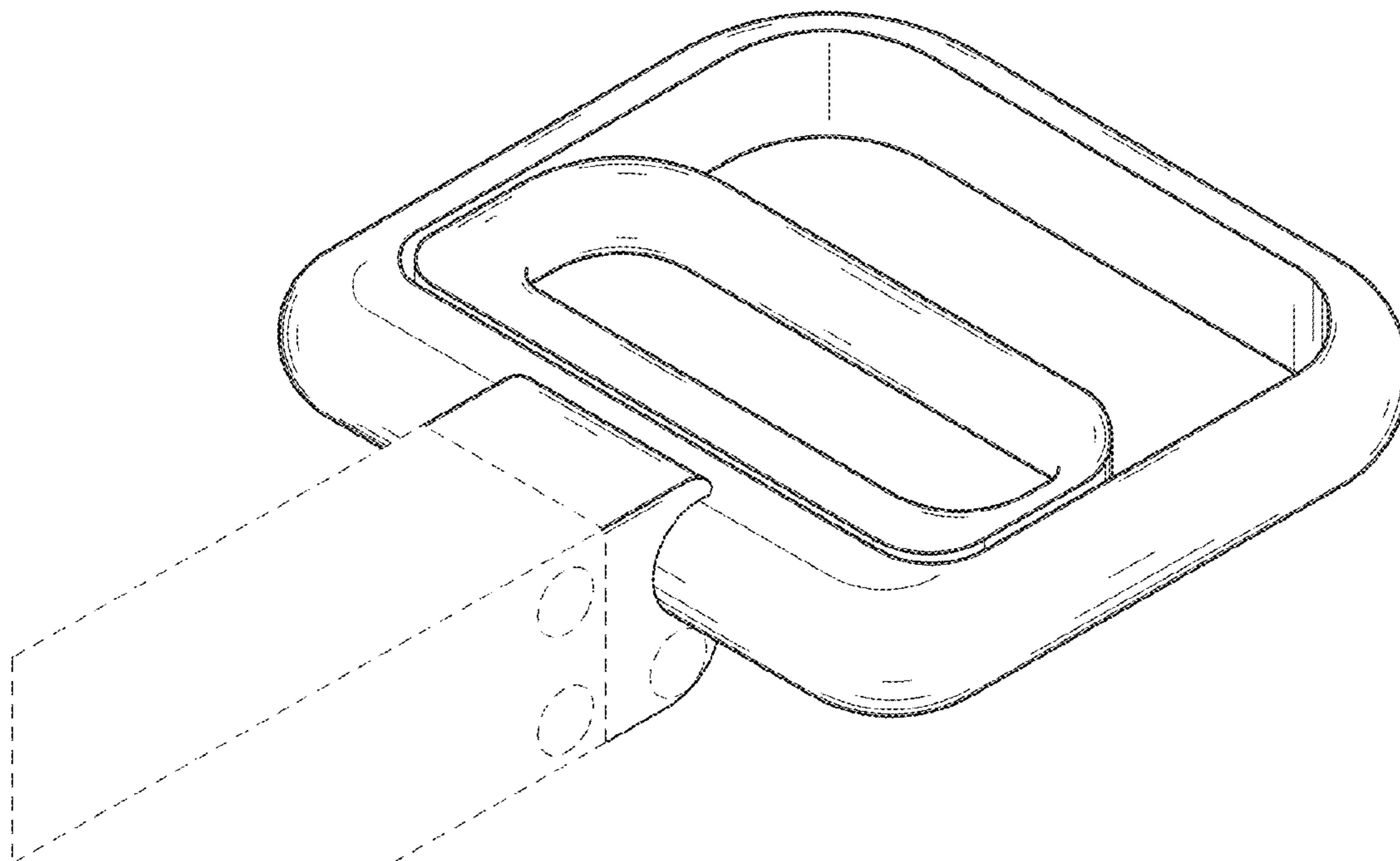
FIG. 1 is a perspective view showing the top, rear, and right side showing my new design;  
FIG. 2 is a top view thereof;  
FIG. 3 is a bottom view thereof; and,  
FIG. 4 is a perspective view.  
The broken lines in the drawing are for illustrative purposes only and form no part of the claimed design.

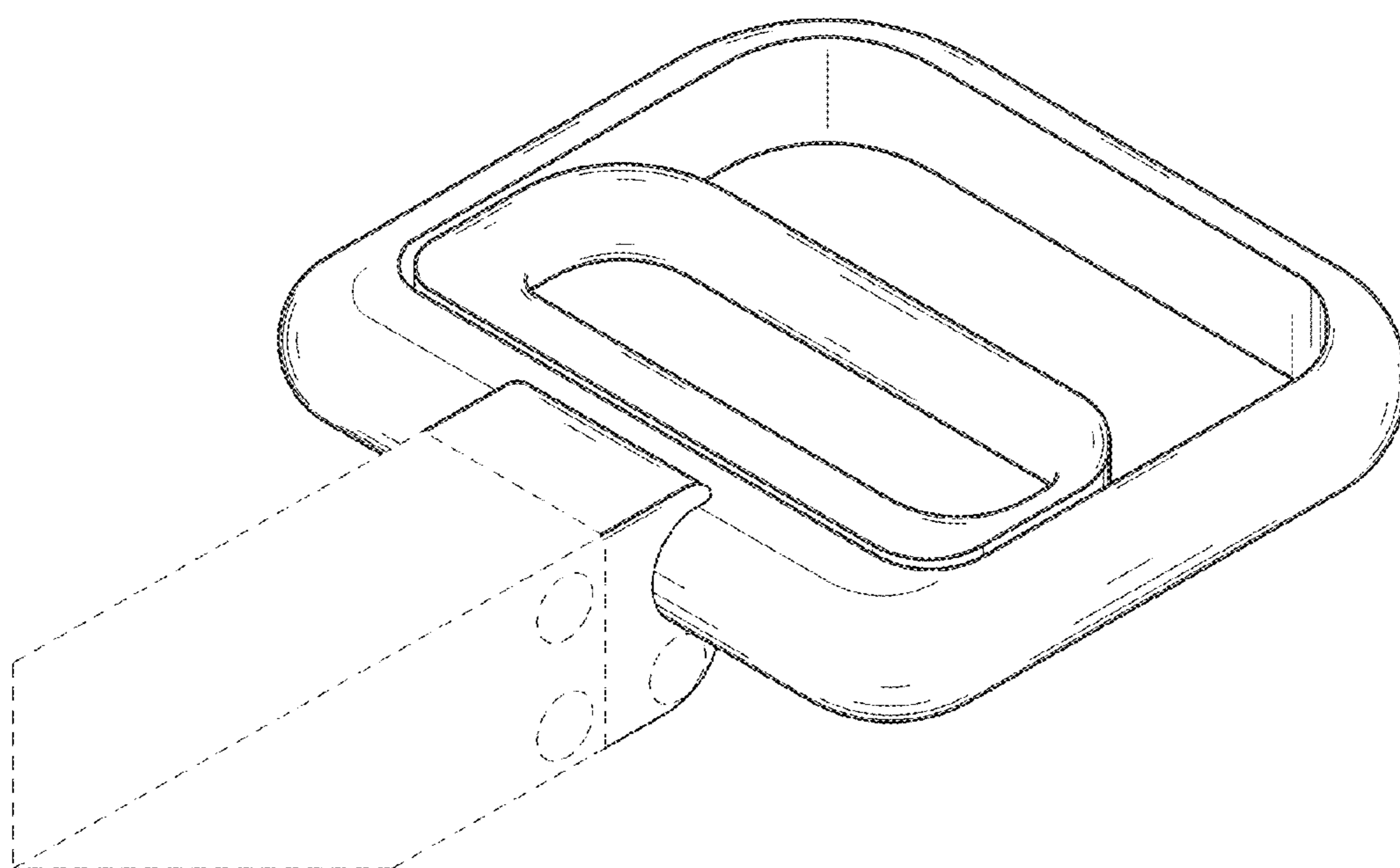
(56) **References Cited**

**U.S. PATENT DOCUMENTS**

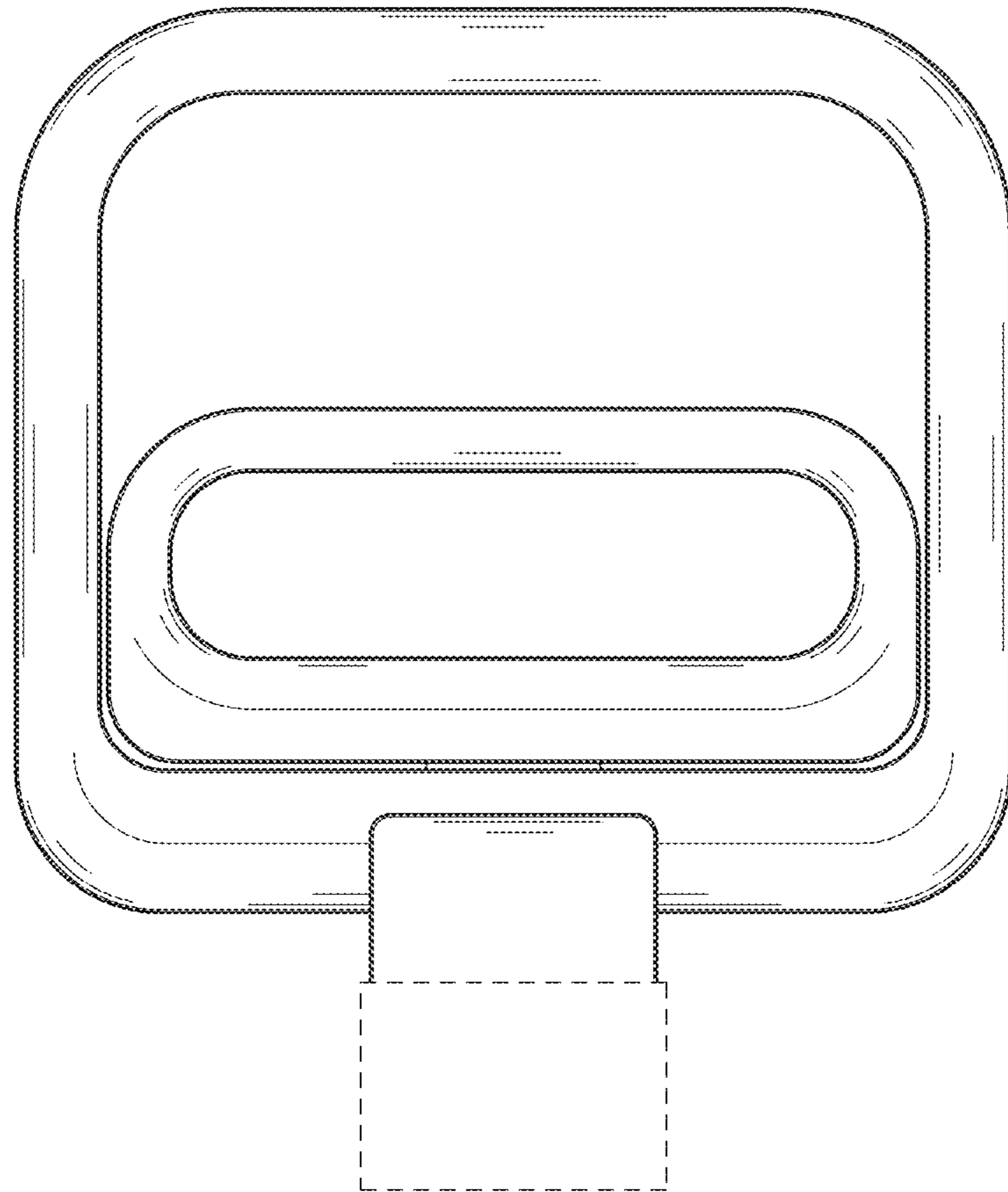
3,633,901 A \* 1/1972 Lindquist ..... A61G 13/02  
108/141

**1 Claim, 4 Drawing Sheets**

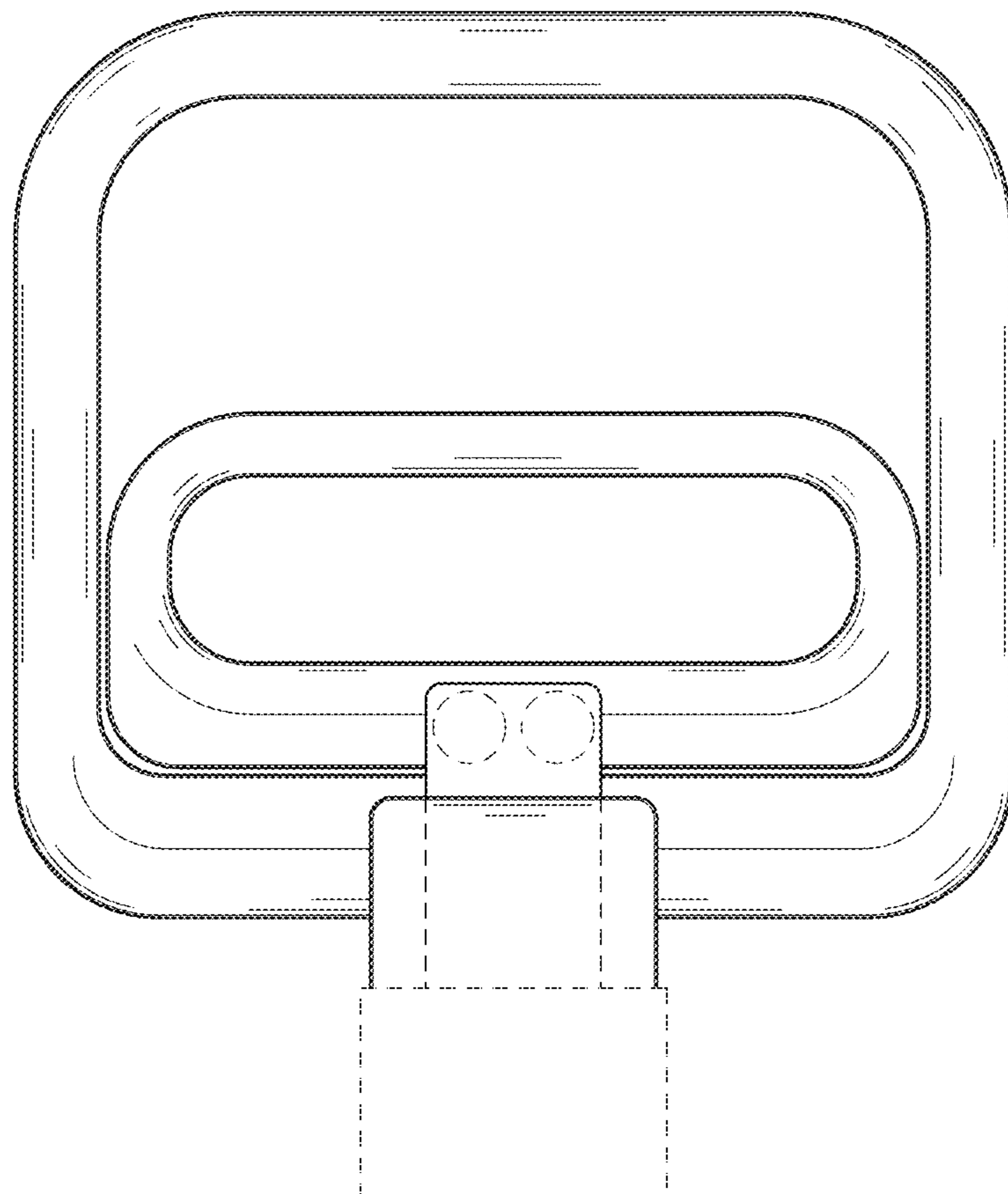




*FIG. 1*



*FIG. 2*



*FIG. 3*

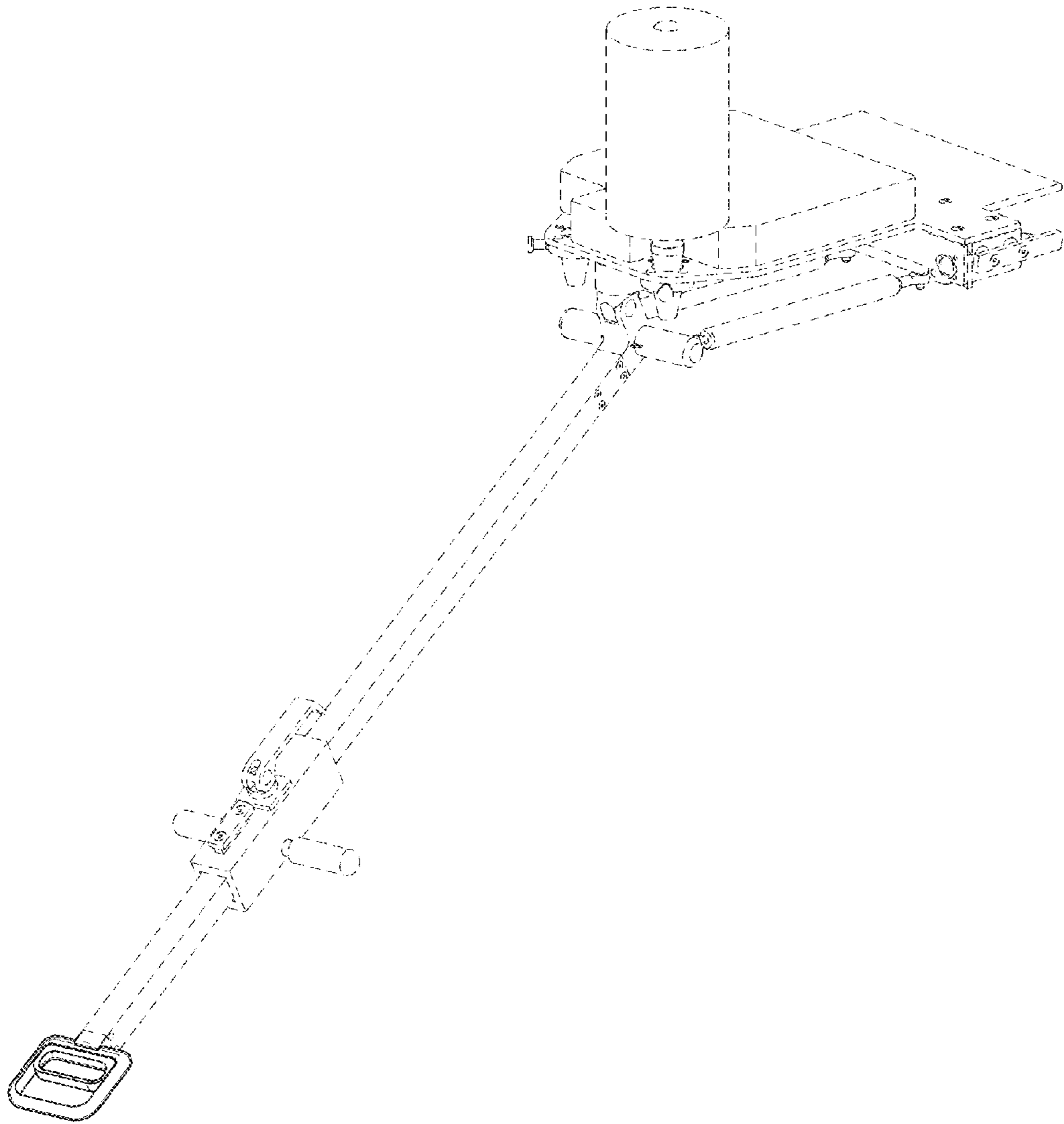


FIG. 4