



US00D764062S

(12) **United States Design Patent**
Dennewald

(10) **Patent No.:** **US D764,062 S**
(45) **Date of Patent:** **** Aug. 16, 2016**

(54) **ORTHOTIC DEVICE**

- (71) Applicant: **Adrian Dennewald**, Waverton (AU)
- (72) Inventor: **Adrian Dennewald**, Waverton (AU)
- (73) Assignee: **DENNEROLL HOLDINGS PTY LTD**,
Cromer, NSW (AU)
- (**) Term: **14 Years**
- (21) Appl. No.: **29/473,673**
- (22) Filed: **Nov. 25, 2013**

Related U.S. Application Data

- (60) Continuation of application No. 13/750,084, filed on Jan. 25, 2013, now Pat. No. 8,713,732, which is a continuation of application No. 12/468,547, filed on May 19, 2009, which is a division of application No. 11/524,560, filed on Sep. 21, 2006, now abandoned.

Foreign Application Priority Data

- Sep. 23, 2005 (AU) 2005905264
- (51) **LOC (10) Cl.** **24-01**
- (52) **U.S. Cl.**
USPC **D24/183**
- (58) **Field of Classification Search**
USPC D24/183-184, 171, 200, 211; D25/119,
D25/136; 5/636-638, 632, 622, 644;
601/90-92; D6/601, 333-336,
D6/348-349, 361, 372, 375, 381, 717;
52/287.1
CPC A47G 9/1072; A47G 9/10; A47G 9/1081;
A47G 9/00; E04F 19/0436; A61G 7/065;
A47C 20/00; A47C 20/02; A61H 2205/081;
A61H 2201/1695; A61H 15/0092
See application file for complete search history.

(56) **References Cited**

U.S. PATENT DOCUMENTS

2,700,779 A	2/1955	Tolkowsky	
2,880,428 A	4/1959	Forsland	
3,648,308 A	3/1972	Greenawalt	
3,829,917 A	8/1974	De Laitre et al.	
3,842,453 A	10/1974	Redfield	
D240,311 S *	6/1976	Owens	D6/375
D241,104 S *	8/1976	Copeland	D25/119
D245,298 S *	8/1977	Brahm	D6/334
D247,406 S *	3/1978	Stahl	D6/717
D254,029 S *	1/1980	Barbagallo	5/636
D255,959 S *	7/1980	Mitchell	D6/335
D256,408 S *	8/1980	Nakisbendi	D6/361
4,218,792 A	8/1980	Kogan	
4,424,599 A	1/1984	Hannouche	
D276,938 S *	12/1984	Pedersen	5/636
4,494,261 A	1/1985	Morrow	
4,550,459 A	11/1985	Endel et al.	

(Continued)

FOREIGN PATENT DOCUMENTS

CN	88203329 U	12/1988
CN	2071030 U	2/1991

(Continued)

Primary Examiner — T. Chase Nelson
Assistant Examiner — Mark Cavanna
 (74) *Attorney, Agent, or Firm* — King & Schickli, PLLC

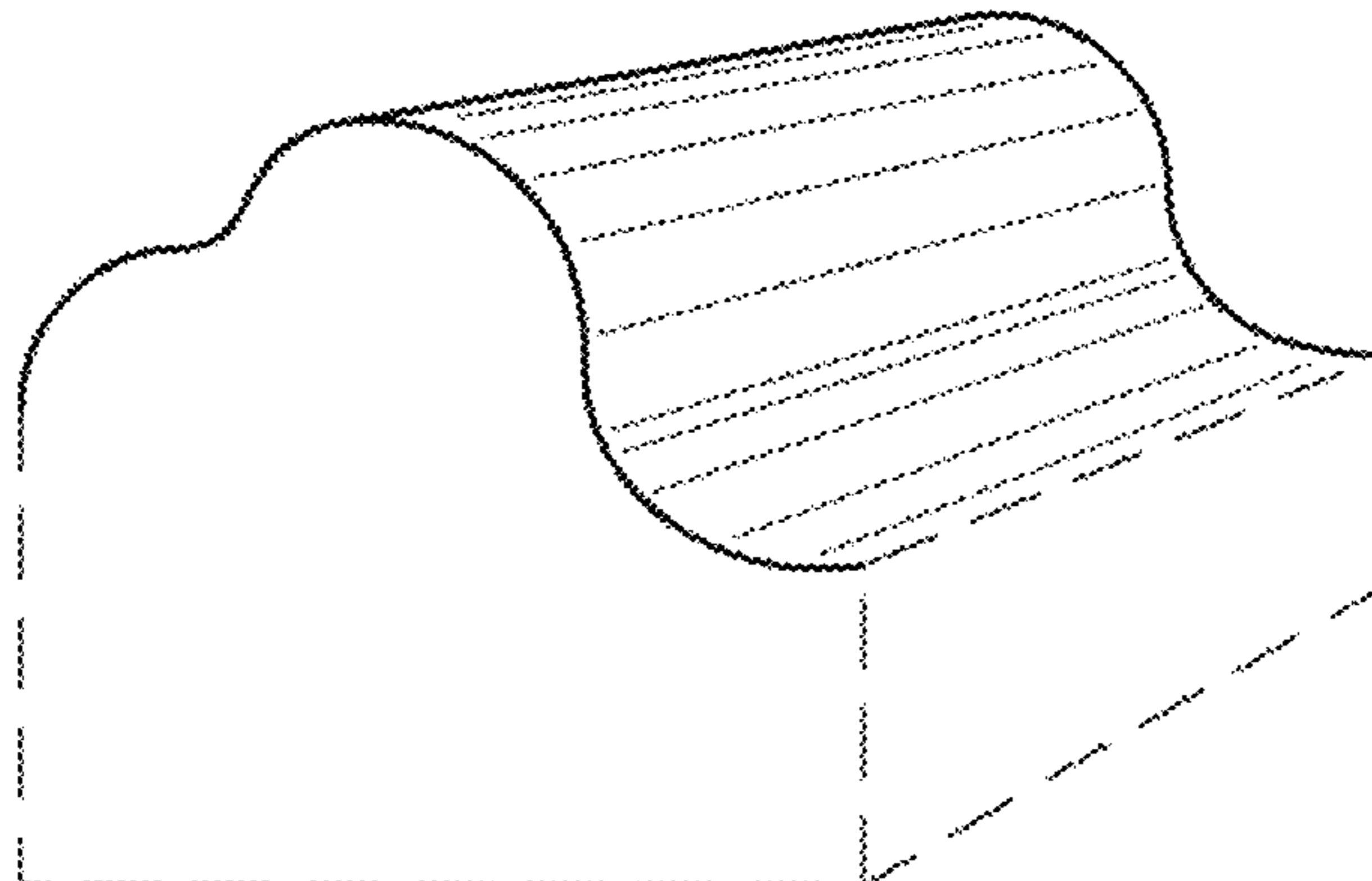
(57) **CLAIM**

The ornamental design for an orthotic device, as shown and described.

DESCRIPTION

FIG. 1 is a perspective view of an orthotic device according to my new design; and,
 FIG. 2 is a left elevation view of the device of FIG. 1.
 The broken lines are included for the purpose of illustrating portions of the orthotic device that form no part of the claimed design.

1 Claim, 1 Drawing Sheet



(56)

References Cited

U.S. PATENT DOCUMENTS

D286,586 S * 11/1986 Radford D6/334
 4,679,263 A 7/1987 Honer
 4,754,513 A 7/1988 Rinz
 4,756,090 A 7/1988 Pedrow
 4,759,089 A * 7/1988 Fox A47G 9/1072
 5/636
 4,777,678 A 10/1988 Moore
 4,805,603 A 2/1989 Cumberland
 4,829,614 A 5/1989 Harper
 4,832,007 A 5/1989 Davis, Jr. et al.
 4,916,765 A 4/1990 Castronovo, Jr.
 D308,141 S * 5/1990 Genova D6/334
 4,928,335 A 5/1990 Pedrow
 D310,609 S * 9/1990 Burkhardt D6/601
 4,956,886 A 9/1990 Sarkozy
 D314,284 S * 2/1991 Cohen D6/374
 D317,840 S * 7/1991 Jagdat D6/601
 5,123,132 A 6/1992 Dixon
 D334,107 S * 3/1993 Johnson D6/601
 D337,210 S * 7/1993 Silverman D6/333
 5,237,714 A 8/1993 Baron
 D341,267 S * 11/1993 Caldwell D6/370
 5,279,310 A 1/1994 Hsien
 D361,905 S * 9/1995 Adams D6/334
 5,457,832 A 10/1995 Tatum
 5,481,771 A 1/1996 Burk, IV
 D366,966 S * 2/1996 Bonaddio D6/335
 D370,821 S * 6/1996 Mata D6/601
 D372,805 S * 8/1996 Bonaddio D6/334
 D375,417 S * 11/1996 Bonaddio D6/381
 5,630,651 A 5/1997 Fishbane
 5,662,597 A 9/1997 Chitwood
 5,694,726 A * 12/1997 Wu E04F 19/0436
 52/287.1
 5,727,267 A 3/1998 Keilhauer
 D400,386 S * 11/1998 Keilhauer D6/601
 D400,387 S * 11/1998 Denney D6/601
 D405,854 S * 2/1999 Grant D6/601
 D410,744 S * 6/1999 Banister D24/183
 5,916,185 A 6/1999 Chitwood
 6,000,401 A 12/1999 Herrick
 D418,987 S * 1/2000 Panton D6/335
 D447,253 S * 8/2001 Gardner D25/119
 D447,577 S * 9/2001 Gardner D25/136
 D448,581 S * 10/2001 Branch D6/348
 D448,582 S * 10/2001 Branch D6/348
 6,345,401 B1 2/2002 Frydman

D454,180 S * 3/2002 Wessels D25/119
 6,381,784 B1 5/2002 Davis
 D458,049 S * 6/2002 Prins D6/336
 D461,649 S * 8/2002 Prins D6/336
 D473,063 S * 4/2003 Pappas D6/381
 D480,484 S * 10/2003 Kakhiani D25/136
 D484,618 S * 12/2003 Kakhiani D25/136
 D486,247 S * 2/2004 Eichner D25/119
 6,704,957 B2 3/2004 Rhodes
 D491,282 S * 6/2004 Kakhiani D25/136
 6,751,818 B2 6/2004 Troop
 6,817,049 B1 11/2004 Hall
 D499,816 S * 12/2004 Eichner D25/136
 D510,631 S * 10/2005 Hsu D25/119
 7,013,512 B1 * 3/2006 Hsu A47G 9/10
 5/636
 D521,301 S * 5/2006 Dickson D6/601
 7,082,633 B1 8/2006 Maarbjerg
 D573,830 S * 7/2008 Kalatsky D6/601
 D595,527 S * 7/2009 Carter D6/601
 D597,743 S * 8/2009 Skinner D25/119
 D618,354 S * 6/2010 Francucci D24/183
 D637,030 S * 5/2011 Khandai D6/601
 D646,498 S * 10/2011 Blasini D6/375
 D651,368 S * 12/2011 Seliskar D6/601
 D664,256 S * 7/2012 Dennewald D24/183
 D665,503 S * 8/2012 Dennewald D24/183
 8,393,027 B2 3/2013 Weisberg
 D681,994 S * 5/2013 Morgan, II D6/601
 D684,394 S * 6/2013 Leemkuil D6/372
 D701,710 S * 4/2014 Martinez D6/601
 D736,397 S * 8/2015 McAviney D24/200
 D745,786 S * 12/2015 Ko D6/361
 D748,406 S * 2/2016 Pham D6/361
 D751,314 S * 3/2016 Meyer D6/375
 2004/0006822 A1 1/2004 Milligan
 2004/0068799 A1 4/2004 Wilson
 2007/0101503 A1 * 5/2007 Dennewald A47G 9/1081
 5/638
 2007/0113348 A1 5/2007 Ramaiah
 2008/0115284 A1 * 5/2008 Hiatt A61G 7/065
 5/632

FOREIGN PATENT DOCUMENTS

CN 2505048 Y 8/2002
 CN 2812877 Y 9/2006
 CN 2824881 Y 10/2006
 CN 2850576 Y 12/2006

* cited by examiner

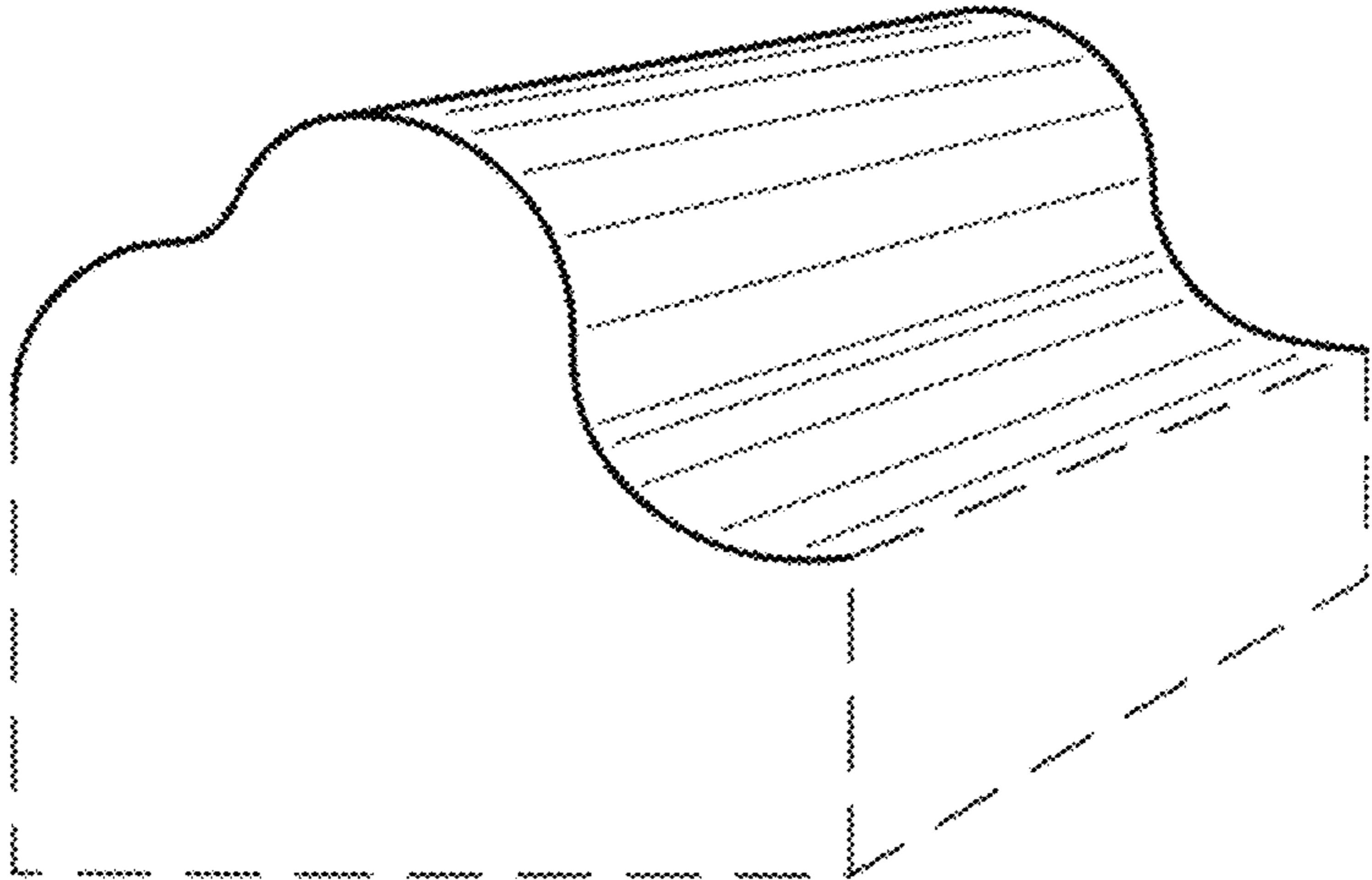


FIG. 1

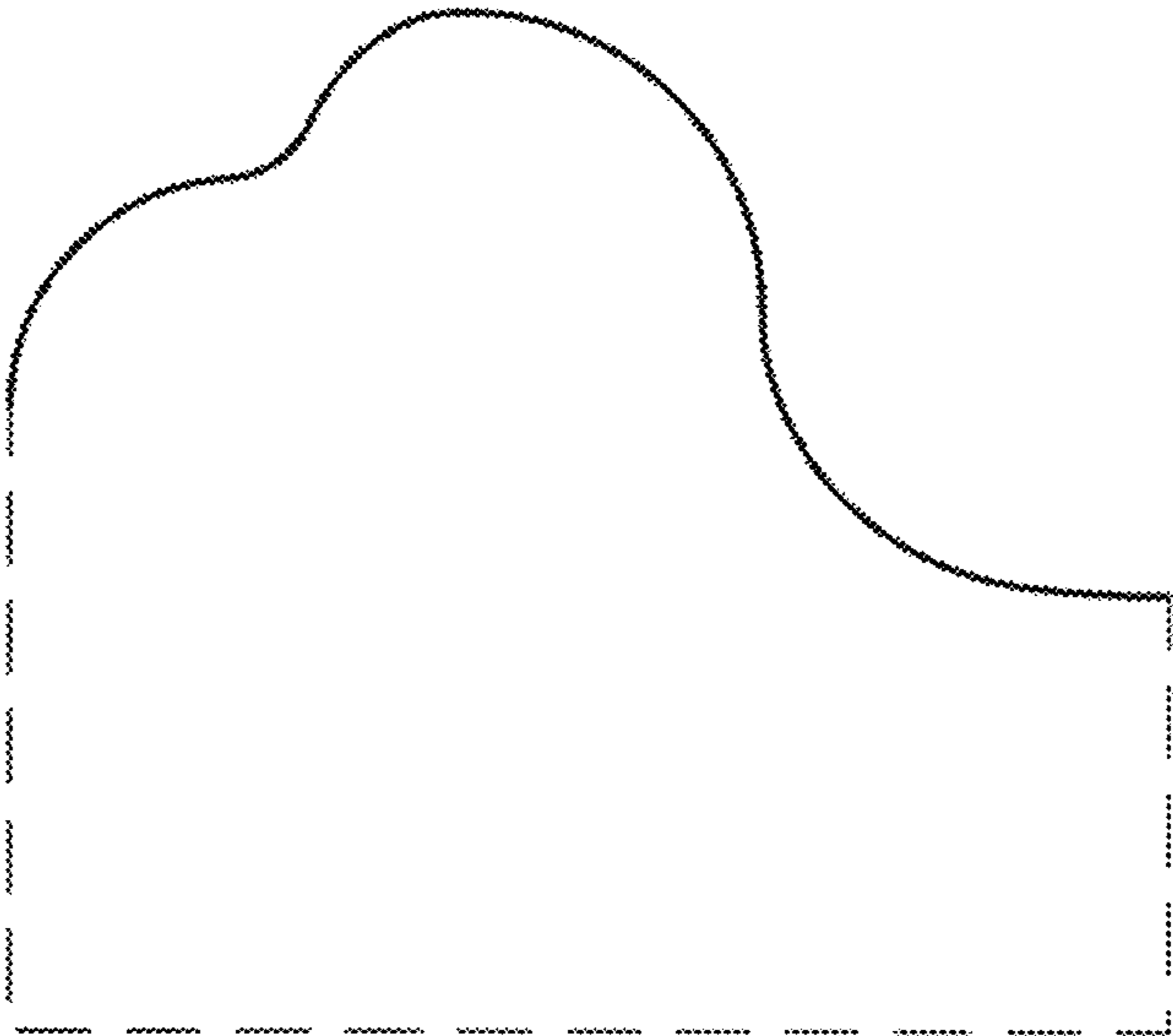


FIG. 2