



US00D764058S

(12) **United States Design Patent**  
**Howard**

(10) **Patent No.:** **US D764,058 S**  
(45) **Date of Patent:** **\*\* Aug. 16, 2016**

- (54) **PROXIMAL TOOTH SEPARATOR**
- (71) Applicant: **Hugh James Howard**, La Verkin, UT (US)
- (72) Inventor: **Hugh James Howard**, La Verkin, UT (US)
- (\*\*) Term: **15 Years**
- (21) Appl. No.: **29/540,515**
- (22) Filed: **Sep. 25, 2015**
- (51) **LOC (10) Cl.** ..... **24-02**
- (52) **U.S. Cl.**  
USPC ..... **D24/152**
- (58) **Field of Classification Search**  
USPC ..... D24/152, 155–156, 176–182  
CPC ..... A61C 3/00; A61C 3/14; A61C 3/16;  
A61C 5/12; A61C 5/125; A61C 5/127  
See application file for complete search history.

5,993,210 A *	11/1999	Godfrey .....	A61C 5/127 433/149
8,029,281 B2 *	10/2011	Ho .....	A61C 5/127 433/148
8,182,266 B2 *	5/2012	Creasman .....	A61C 3/00 29/270
8,647,120 B2 *	2/2014	Martney .....	A61C 5/127 433/148
2014/0308627 A1 *	10/2014	Howard .....	A61C 3/00 433/142

\* cited by examiner

*Primary Examiner* — Wan Laymon

(74) *Attorney, Agent, or Firm* — Gurr & Brande, PLLC; Robert A. Gurr

(57) **CLAIM**

The ornamental design for a proximal tooth separator, as shown and described.

**DESCRIPTION**

FIG. 1 is a perspective view of the proximal tooth separator; FIG. 2 is a left-side side elevation view of the proximal tooth separator;

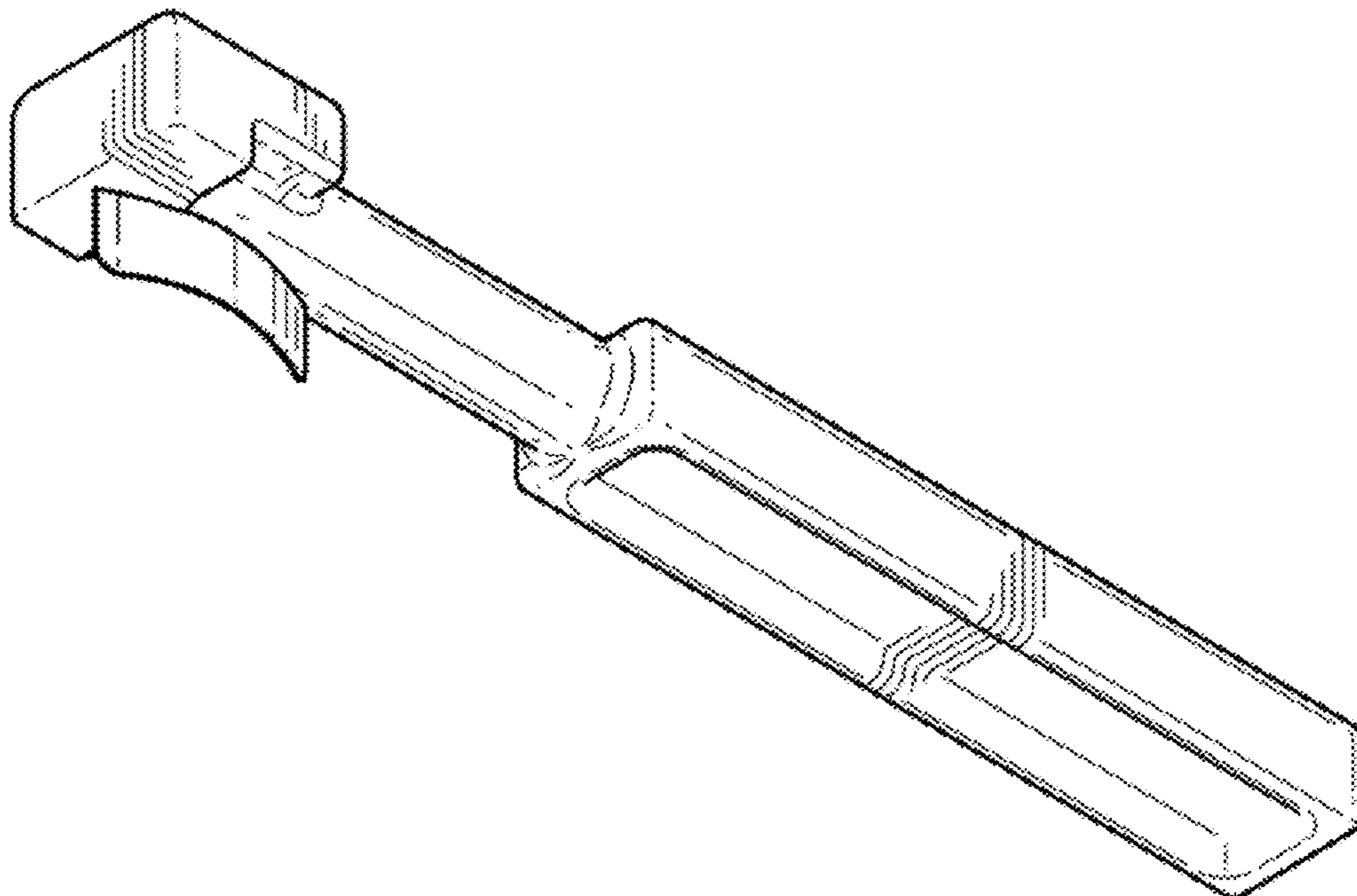
FIG. 3 is a top plan view of the proximal tooth separator; FIG. 4 is right-side elevation view of the proximal tooth separator;

FIG. 5 is a bottom plan view of the proximal tooth separator; FIG. 6 is a front elevation view of the proximal tooth separator; and,

FIG. 7 is a back elevation view of the proximal tooth separator.

**1 Claim, 2 Drawing Sheets**

- (56) **References Cited**  
U.S. PATENT DOCUMENTS
- 1,833,247 A \* 11/1931 Fust ..... A61C 5/125  
164/DIG. 7
- 2,602,998 A \* 7/1952 Sprague ..... A61C 3/14  
433/141
- 3,197,870 A \* 8/1965 Tofflemire ..... A61C 5/125  
433/149
- 4,747,777 A \* 5/1988 Ward ..... A61C 5/125  
433/141



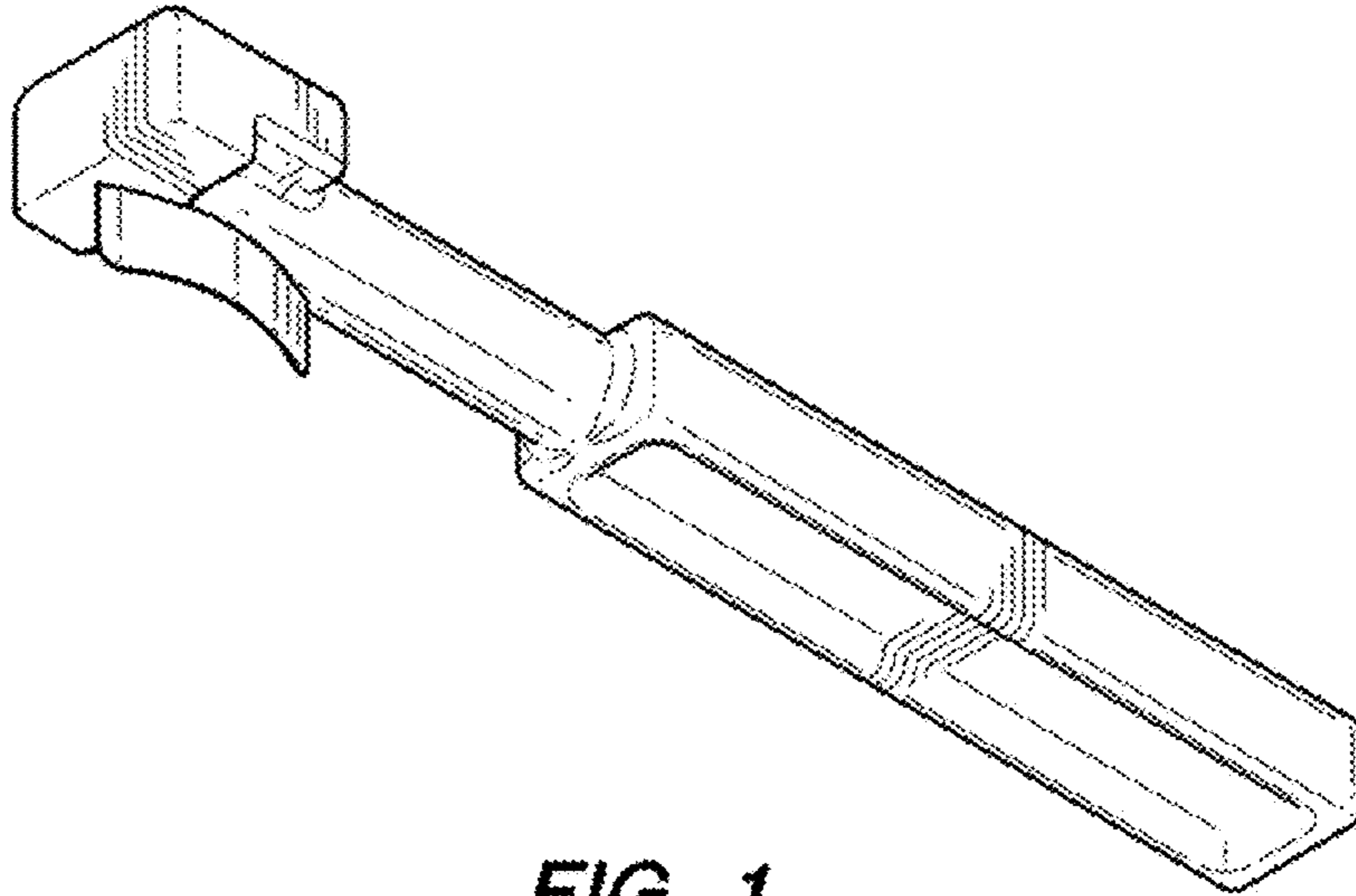


FIG. 1

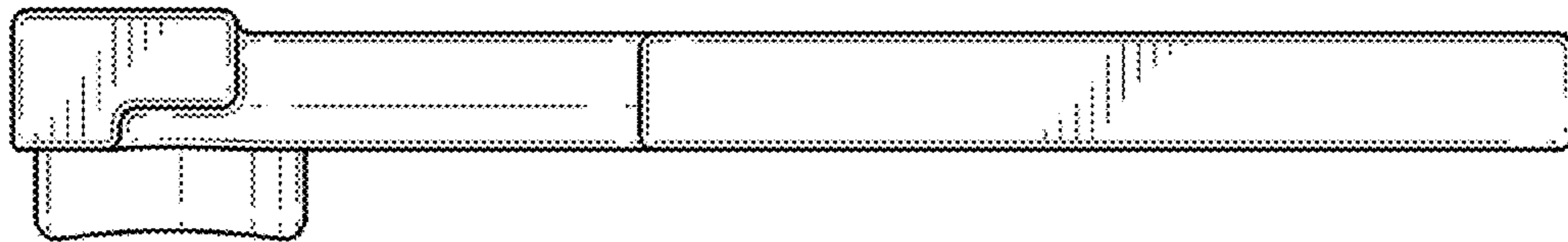
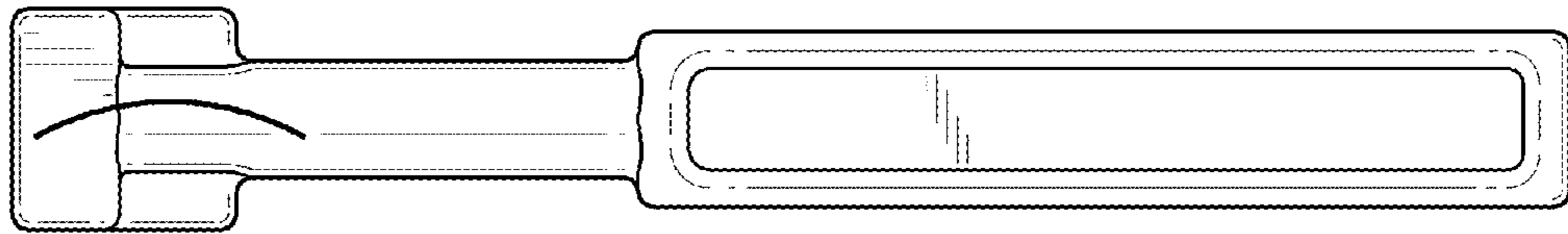
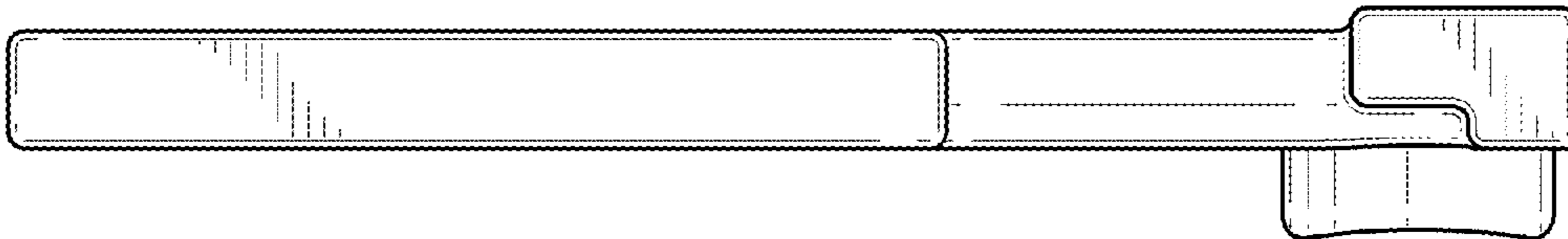


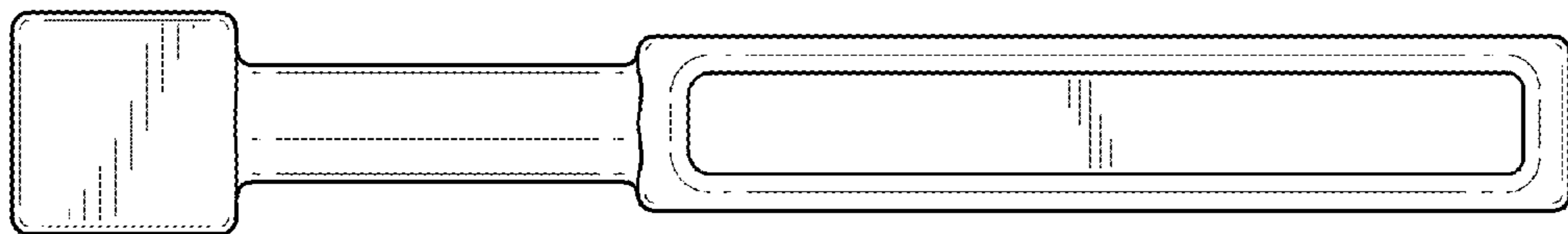
FIG. 2



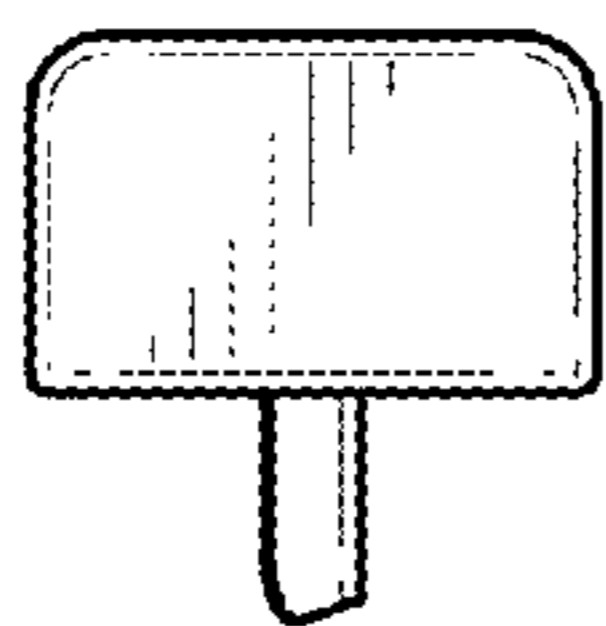
**FIG. 3**



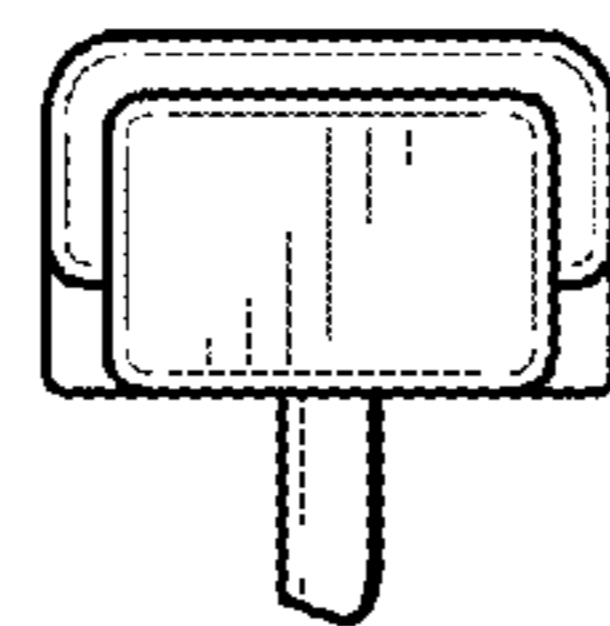
**FIG. 4**



**FIG. 5**



**FIG. 6**



**FIG. 7**