



US00D764053S

(12) **United States Design Patent**  
**Stonig**

(10) **Patent No.:** **US D764,053 S**  
(45) **Date of Patent:** **\*\* Aug. 16, 2016**

(54) **BREAKER FOR FRANGIBLE COMPONENT**

6,156,025 A 12/2000 Niedospial, Jr. et al.  
6,409,032 B1 6/2002 Bekkers et al.  
6,470,780 B1 10/2002 Benuzzi

(71) Applicant: **Fenwal, Inc.**, Lake Zurich, IL (US)

(Continued)

(72) Inventor: **Christian Stonig**, Vienna (AT)

FOREIGN PATENT DOCUMENTS

(73) Assignee: **Fenwal, Inc.**, Lake Zurich, IL (US)

WO WO 99/44652 9/1999  
WO WO 2004/058046 A2 7/2004

(\*\*) Term: **14 Years**

(Continued)

(21) Appl. No.: **29/450,129**

OTHER PUBLICATIONS

(22) Filed: **Mar. 15, 2013**

<http://www.lmb.de/html/luxomatic.html>, printed Jun. 24, 2013 and the linked video available at <http://www.lmb.de/LUXOmatic.avi>, especially at seconds 45-50.

(51) **LOC (10) Cl.** ..... **24-01**

(52) **U.S. Cl.**

USPC ..... **D24/127**

(Continued)

(58) **Field of Classification Search**

USPC ..... D24/127-131, 112-114, 133, 186;  
606/181, 185; 604/264, 272, 115, 232,  
604/187, 158, 164.08, 192, 263, 163, 181,  
604/184, 198, 227; 600/101, 139, 143;  
128/200.24, 207.14, 207.15; D23/216

CPC ..... G01N 35/1002; Y10T 436/25

See application file for complete search history.

*Primary Examiner* — David Muller

*Assistant Examiner* — Nathan Johnston

(74) *Attorney, Agent, or Firm* — Becker Patent Law, LLC

(57) **CLAIM**

I claim the ornamental design for a breaker for frangible component, as shown and described.

(56) **References Cited**

**DESCRIPTION**

U.S. PATENT DOCUMENTS

2,659,253 A 12/1949 Myrick  
3,266,287 A 8/1966 Gill  
4,181,140 A 1/1980 Bayham et al.  
4,294,247 A 10/1981 Carter et al.  
4,340,049 A 7/1982 Munsch  
D269,367 S \* 6/1983 Mackay et al. .... D23/216  
4,386,622 A 6/1983 Munsch  
4,484,915 A \* 11/1984 Tartaglia ..... 604/227  
4,586,928 A 5/1986 Barnes et al.  
D294,635 S \* 3/1988 Hattori ..... D23/216  
D321,396 S \* 11/1991 Whitehead ..... D23/216  
5,427,145 A 6/1995 Grabenkort  
5,582,595 A \* 12/1996 Haber et al. .... 604/187  
D387,127 S \* 12/1997 Guo ..... D23/216  
5,824,216 A 10/1998 Joie et al.  
6,132,413 A 10/2000 Mathias et al.

FIG. 1 is a top perspective view of an embodiment of the claimed design;

FIG. 2 is a front elevation view thereof;

FIG. 3 is a rear elevation view thereof;

FIG. 4 is a right-side view thereof;

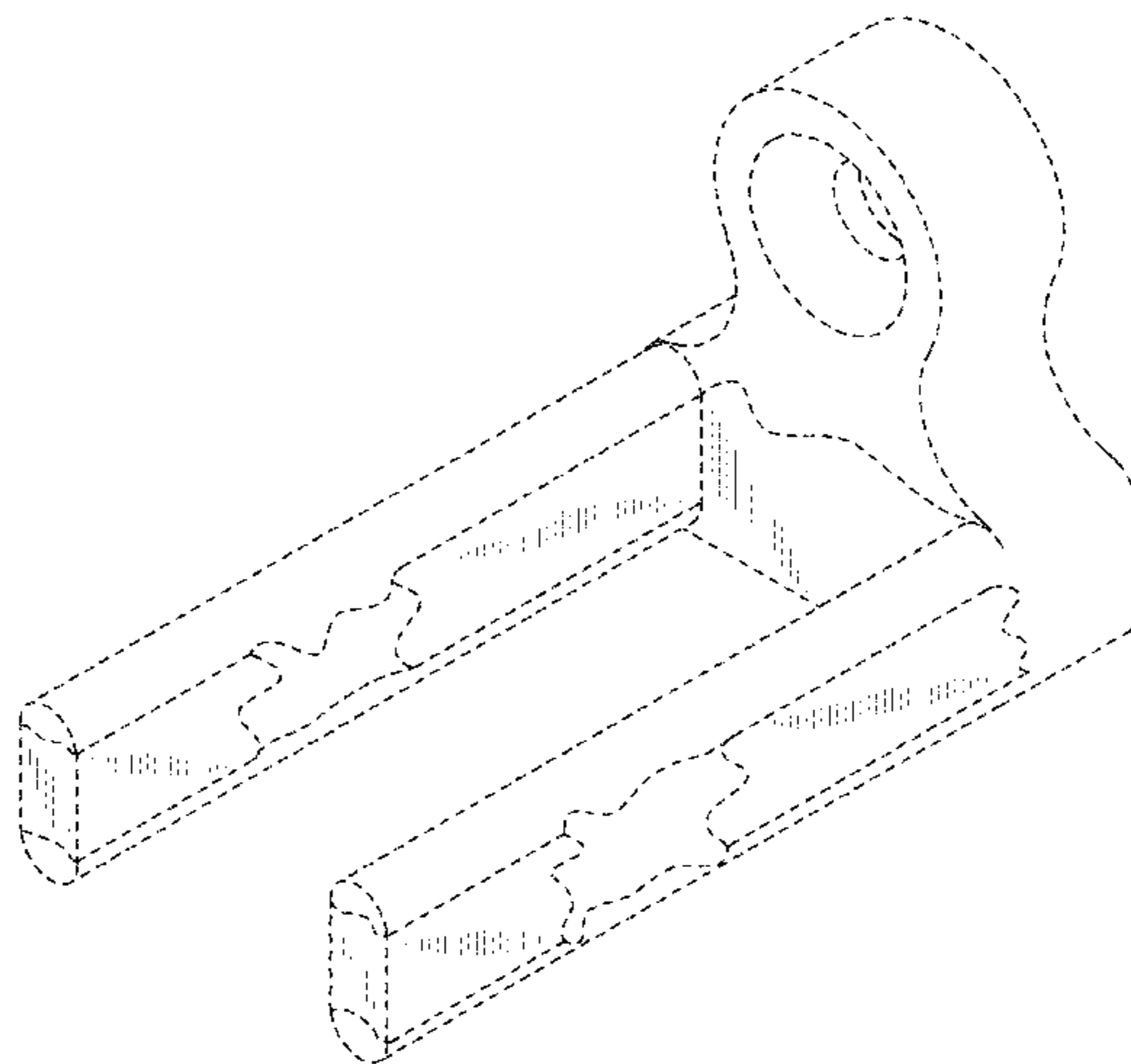
FIG. 5 is a left-side view thereof;

FIG. 6 is a top plan view thereof; and,

FIG. 7 is a bottom plan view thereof.

The ornamental design which is claimed is shown in solid lines in the drawings. The features shown in broken lines depict environmental subject matter only and form no part of the claimed design.

**1 Claim, 4 Drawing Sheets**



(56)

**References Cited**

U.S. PATENT DOCUMENTS

6,719,735 B1 \* 4/2004 Gammon ..... 604/220  
 D500,122 S \* 12/2004 Schapper ..... D23/221  
 D555,228 S \* 11/2007 Cheng ..... D23/221  
 D597,628 S \* 8/2009 Goetz ..... D23/221  
 D618,308 S \* 6/2010 Nies et al. .... D23/221  
 8,162,013 B2 \* 4/2012 Rosenquist et al. .... 141/384  
 2001/0039404 A1 11/2001 Rolle  
 2003/0167893 A1 9/2003 Morris et al.  
 2009/0227961 A1 9/2009 Meisberger et al.  
 2009/0254042 A1 \* 10/2009 Gratwohl et al. .... 604/198  
 2010/0132512 A1 6/2010 Bucciaglia et al.  
 2010/0269584 A1 10/2010 Horst  
 2011/0198350 A1 8/2011 Meisberger et al.  
 2013/0340836 A1 12/2013 Wambold

FOREIGN PATENT DOCUMENTS

WO WO2004058046 A2 7/2004  
 WO WO 2006/114319 11/2006

WO WO 2010/040521 4/2010  
 WO WO 2010/065396 A1 6/2010  
 WO WO 2012/080664 6/2012  
 WO WO2012080664 A2 6/2012  
 WO WO 2012/177158 12/2012  
 WO WO2012177158 A1 12/2012  
 WO WO 2014/083412 6/2014

OTHER PUBLICATIONS

Youtube video—<https://www.youtube.com/watch?v=7u677isN1Og>  
 and screen shots from 1:10 through 1:20.  
 European Search Report dated Mar. 4, 2014, for Application No. EP  
 13192157.9.

\* cited by examiner

FIG. 1

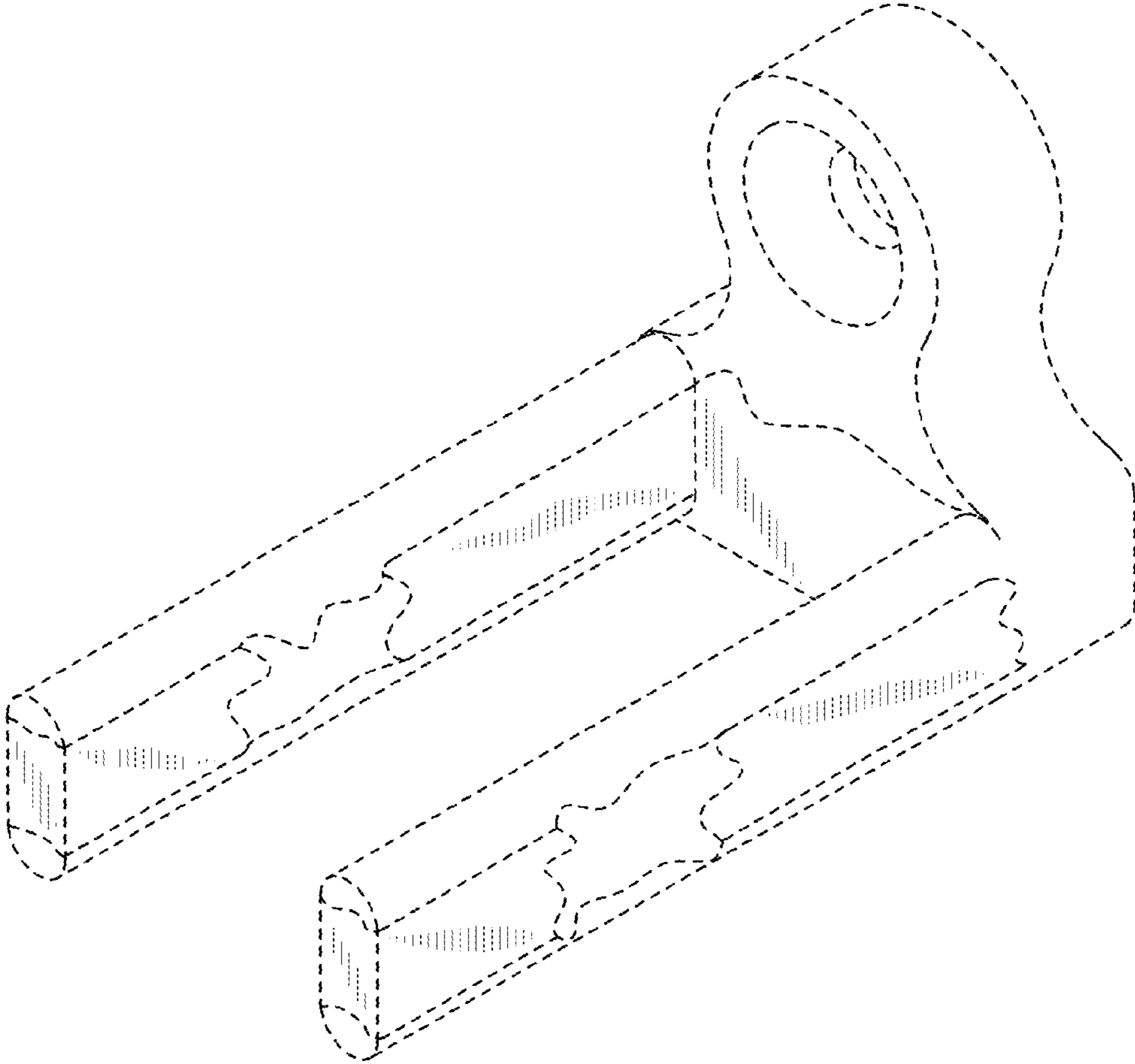


FIG. 2

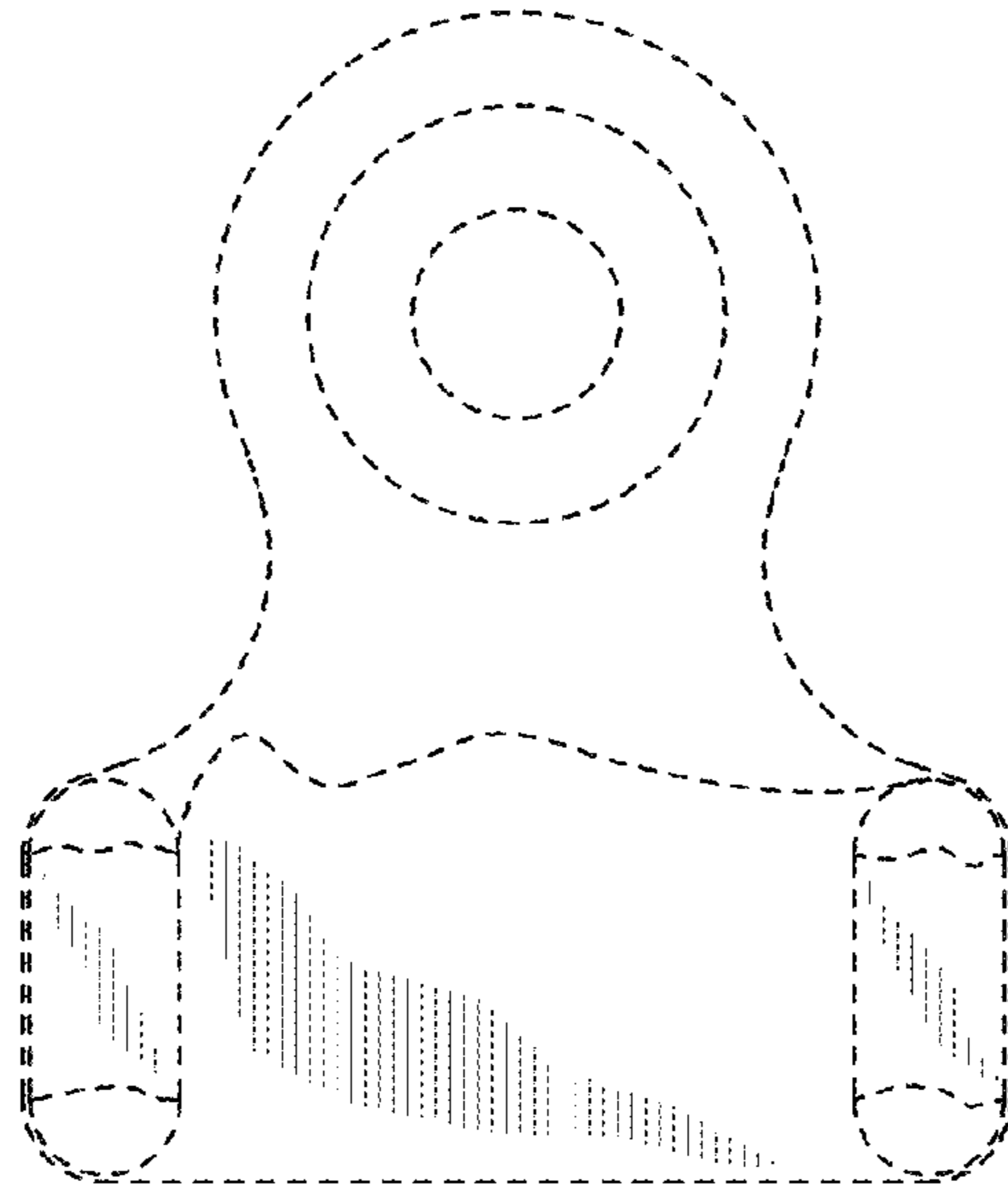


FIG. 3

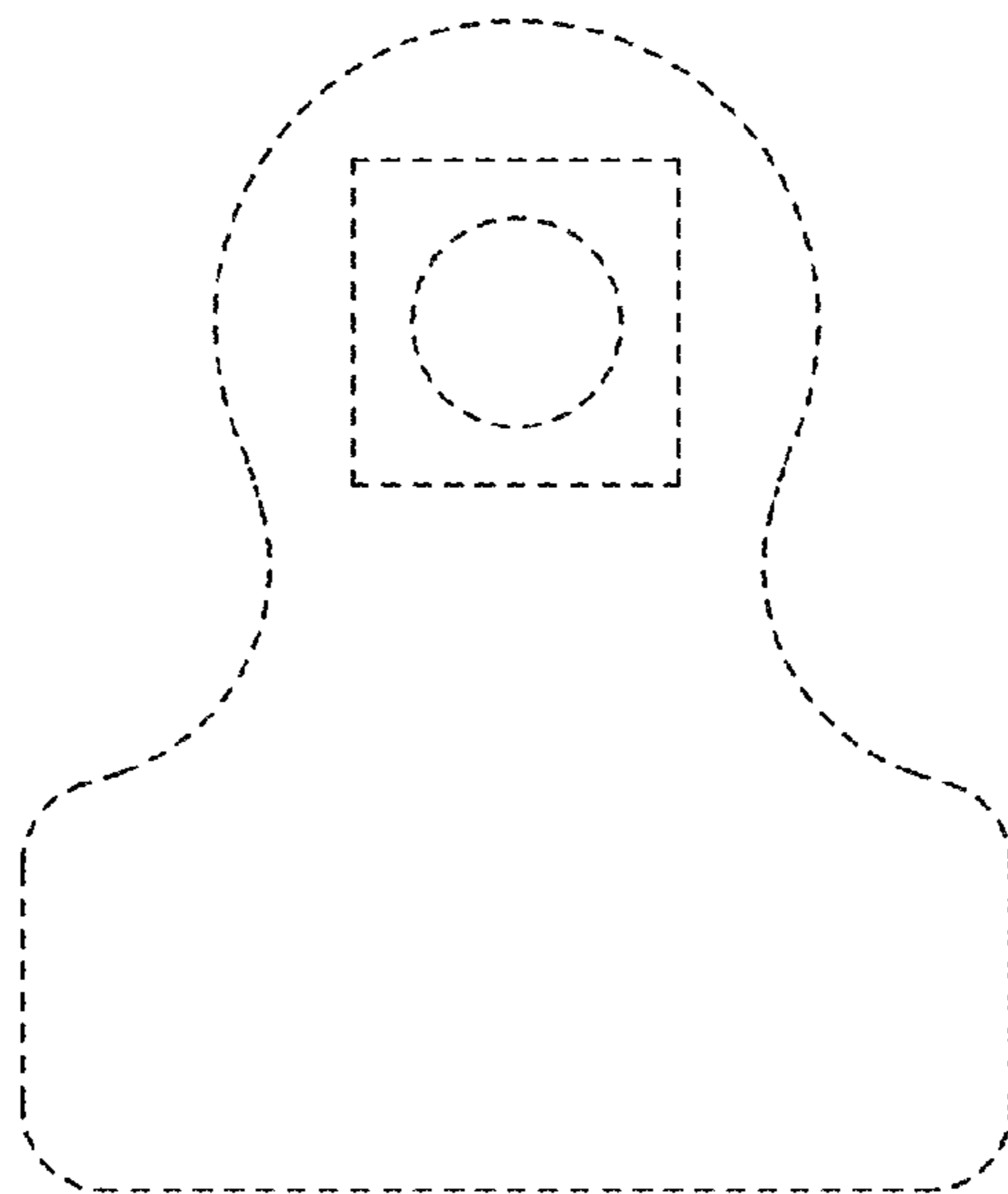


FIG. 4

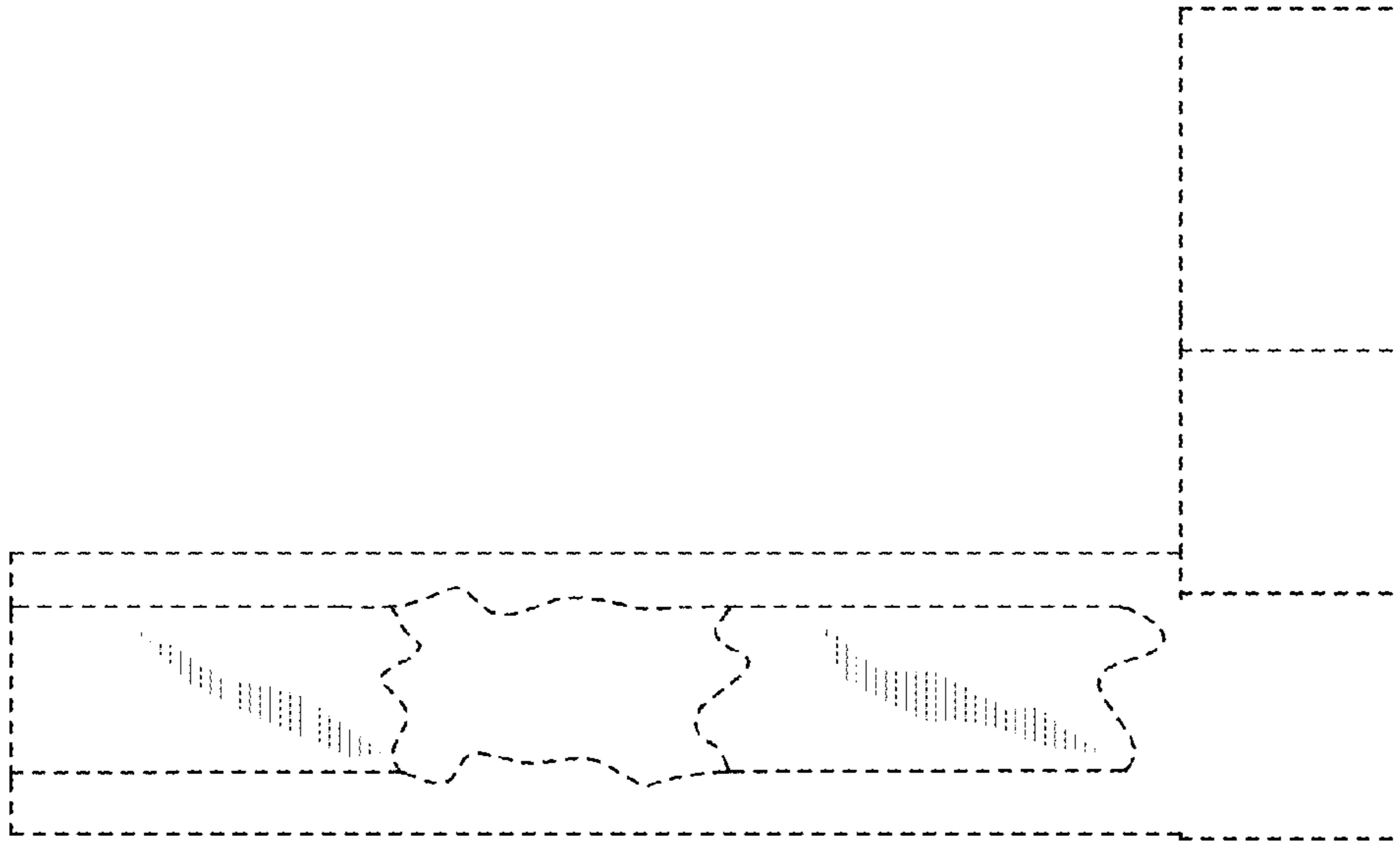


FIG. 5

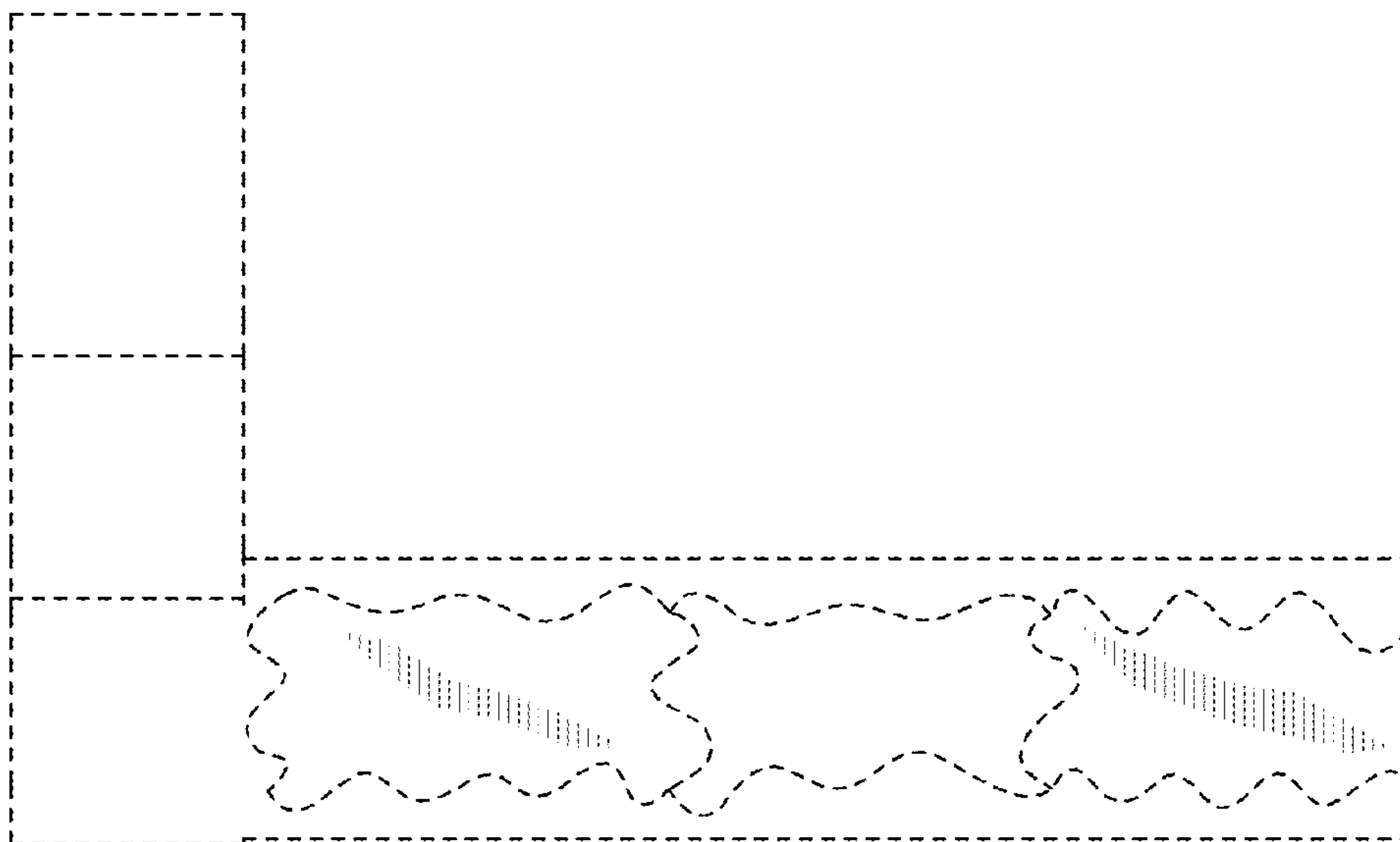


FIG. 6

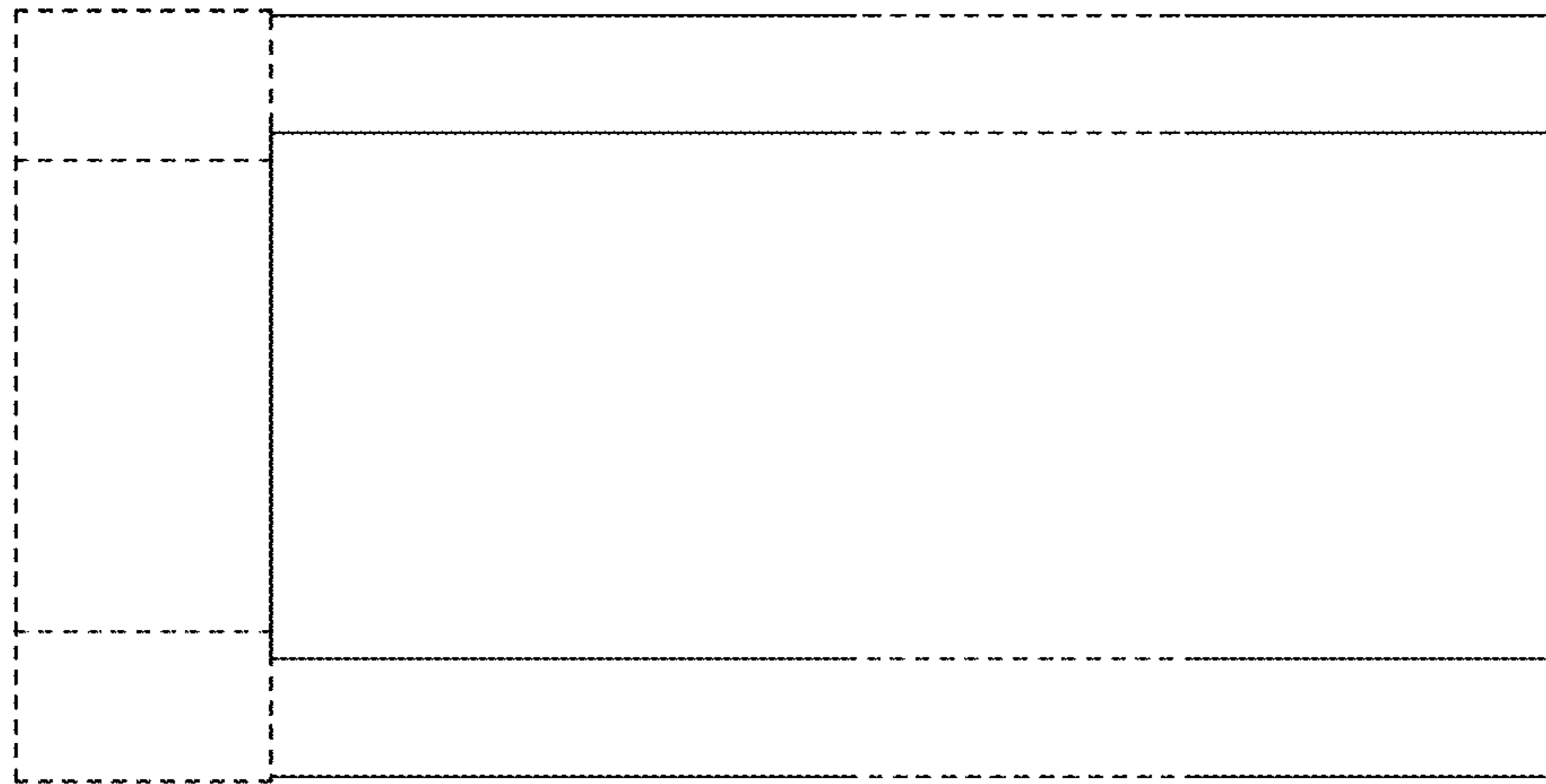


FIG. 7

