

US00D764051S

(12) **United States Design Patent**
Wang

(10) **Patent No.:** **US D764,051 S**
(45) **Date of Patent:** **** Aug. 16, 2016**

(54) **ORAL IRRIGATOR**

(71) Applicant: **Zhiwei Wang**, Guangdong Province
(CN)

(72) Inventor: **Zhiwei Wang**, Guangdong Province
(CN)

(**) Term: **14 Years**

(21) Appl. No.: **29/508,494**

(22) Filed: **Nov. 6, 2014**

(51) **LOC (10) Cl.** **24-02**

(52) **U.S. Cl.**
USPC **D24/111**

(58) **Field of Classification Search**
USPC D24/111, 108, 127-130, 110
CPC A61C 17/02; A61C 17/0202; A61C
17/0214; A61C 17/0205; A61C 17/28; A61C
17/36; A61C 17/00; A61C 1/0092
See application file for complete search history.

(56) **References Cited**

U.S. PATENT DOCUMENTS

D388,612 S *	1/1998	Stutzer	D24/111
D388,613 S *	1/1998	Stutzer	D24/111
D425,981 S *	5/2000	Bachman	D24/111
D435,905 S *	1/2001	Bachman	D24/111
D449,884 S *	10/2001	Tobin	D24/111
D484,971 S *	1/2004	Hartwein	D24/111

D486,573 S *	2/2004	Callaghan	D24/111
D548,334 S *	8/2007	Izumi	D24/111
D565,175 S *	3/2008	Boyd	D24/111
7,670,141 B2 *	3/2010	Thomas	A61C 17/0202 433/100
D625,406 S *	10/2010	Seki	D24/111
8,408,483 B2 *	4/2013	Boyd	A61C 1/0084 239/124
D718,855 S *	12/2014	Kim	D24/111
D725,770 S *	3/2015	Kim	D24/111
D740,936 S *	10/2015	Kim	D24/111

* cited by examiner

Primary Examiner — Charles Hanson

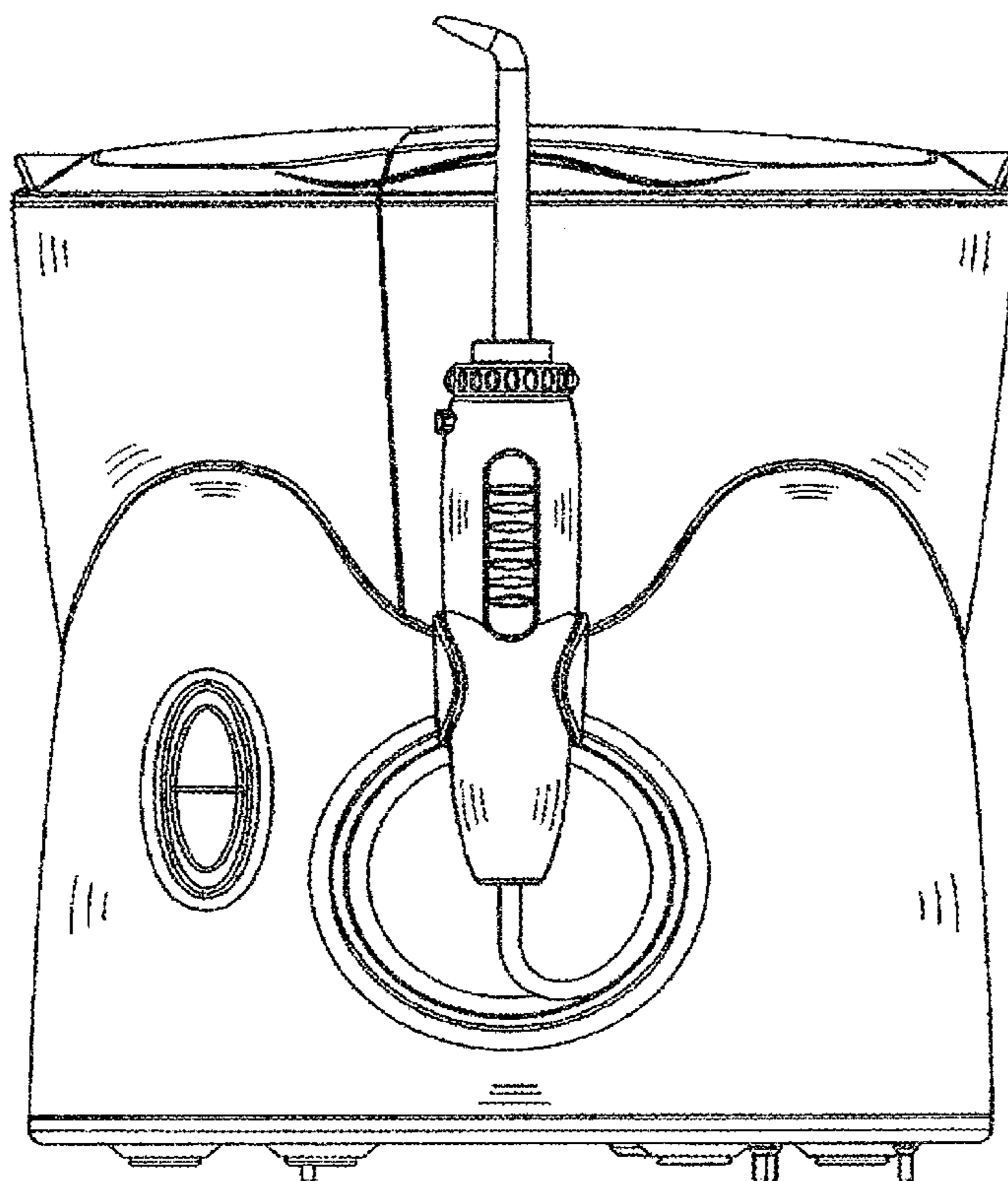
(57) **CLAIM**

The ornamental design for an oral irrigator, as shown and described.

DESCRIPTION

FIG. 1 is a front elevational view of an oral irrigator showing my new design;
FIG. 2 is a rear elevational view thereof;
FIG. 3 is a left side view thereof;
FIG. 4 is a right side view thereof;
FIG. 5 is a top plan view thereof;
FIG. 6 is a bottom plan view thereof; and,
FIG. 7 is a perspective view thereof.
The broken lines shown form no part of the claimed design.

1 Claim, 7 Drawing Sheets



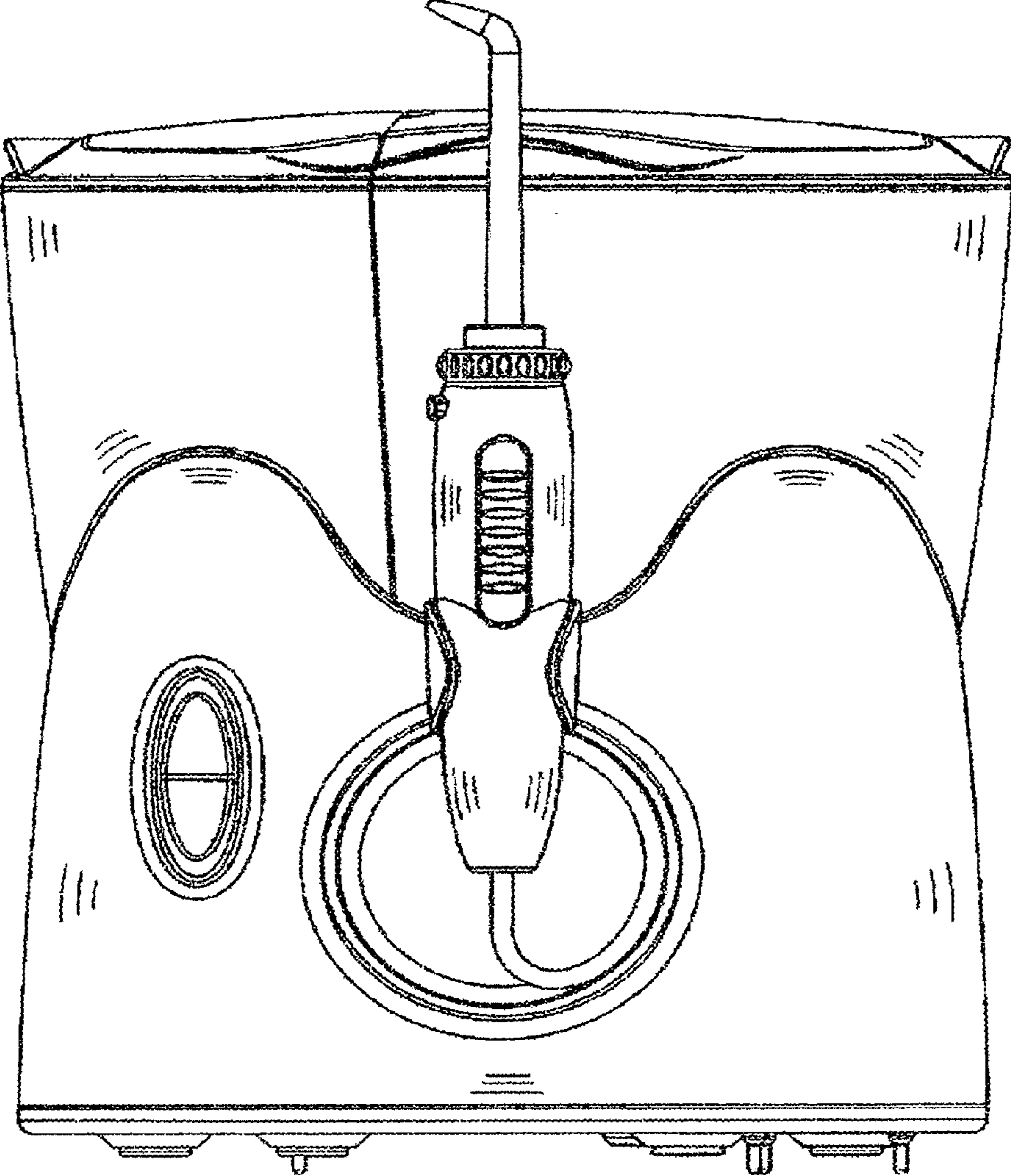


FIG. 1

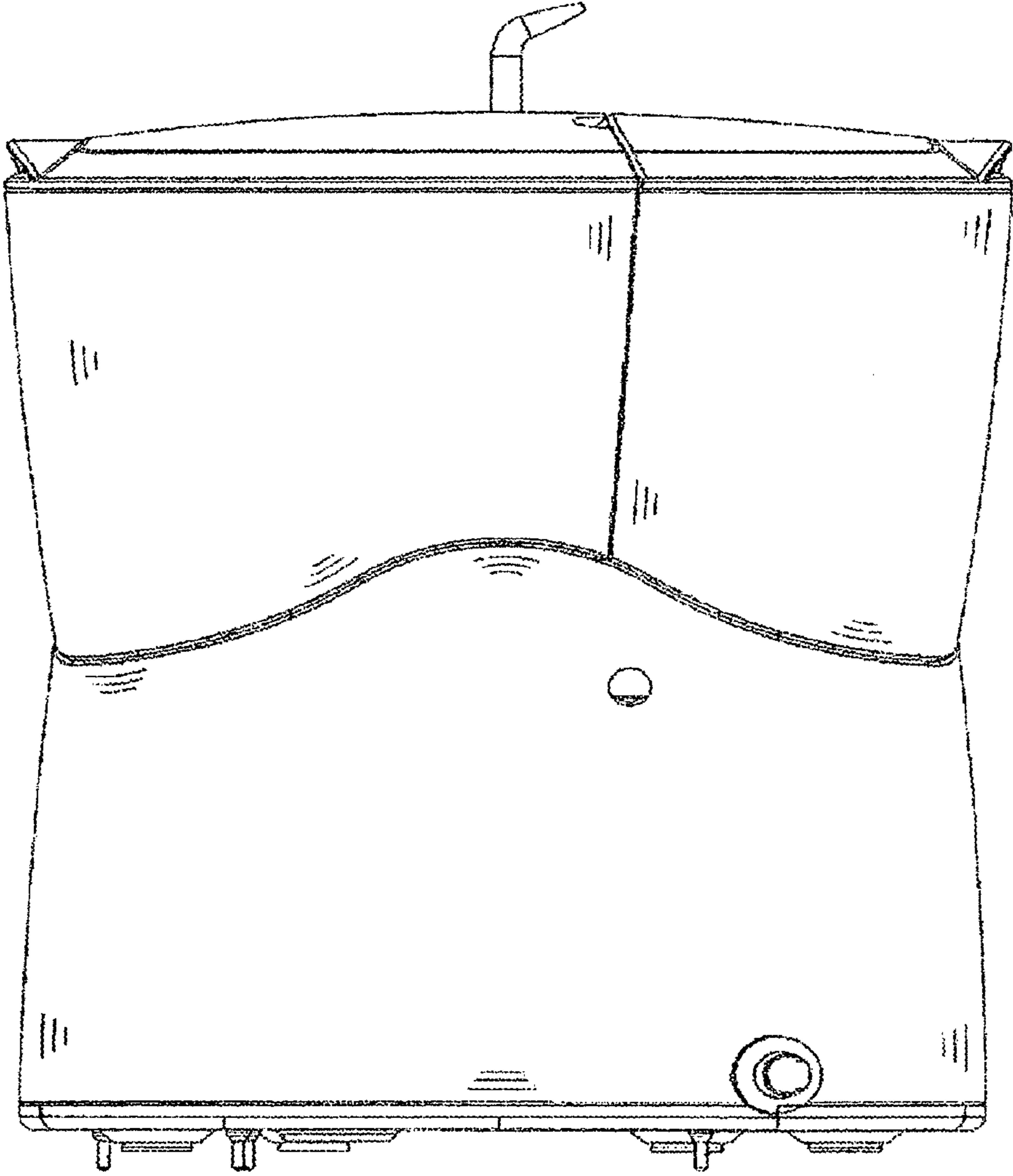


FIG. 2

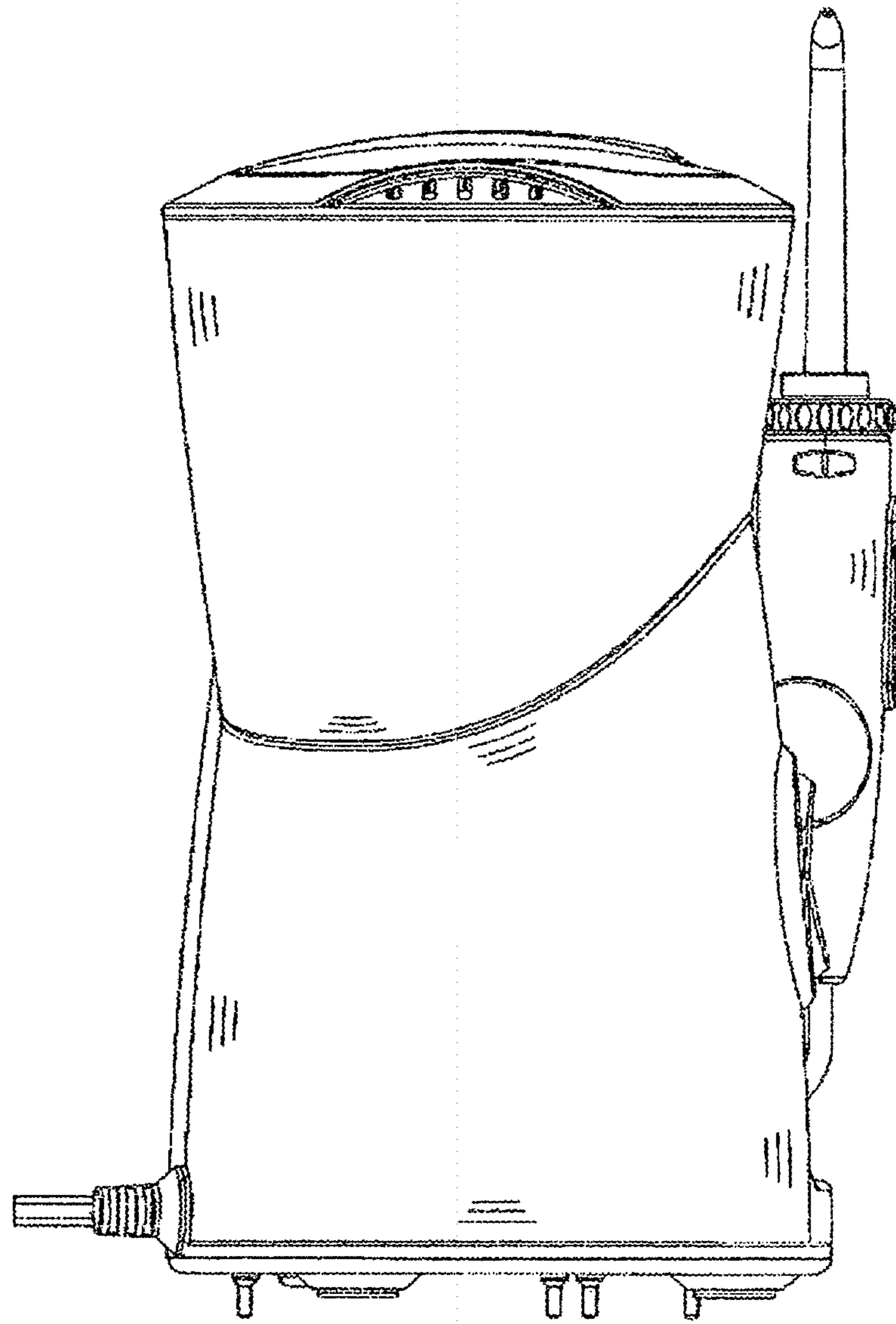


FIG. 3

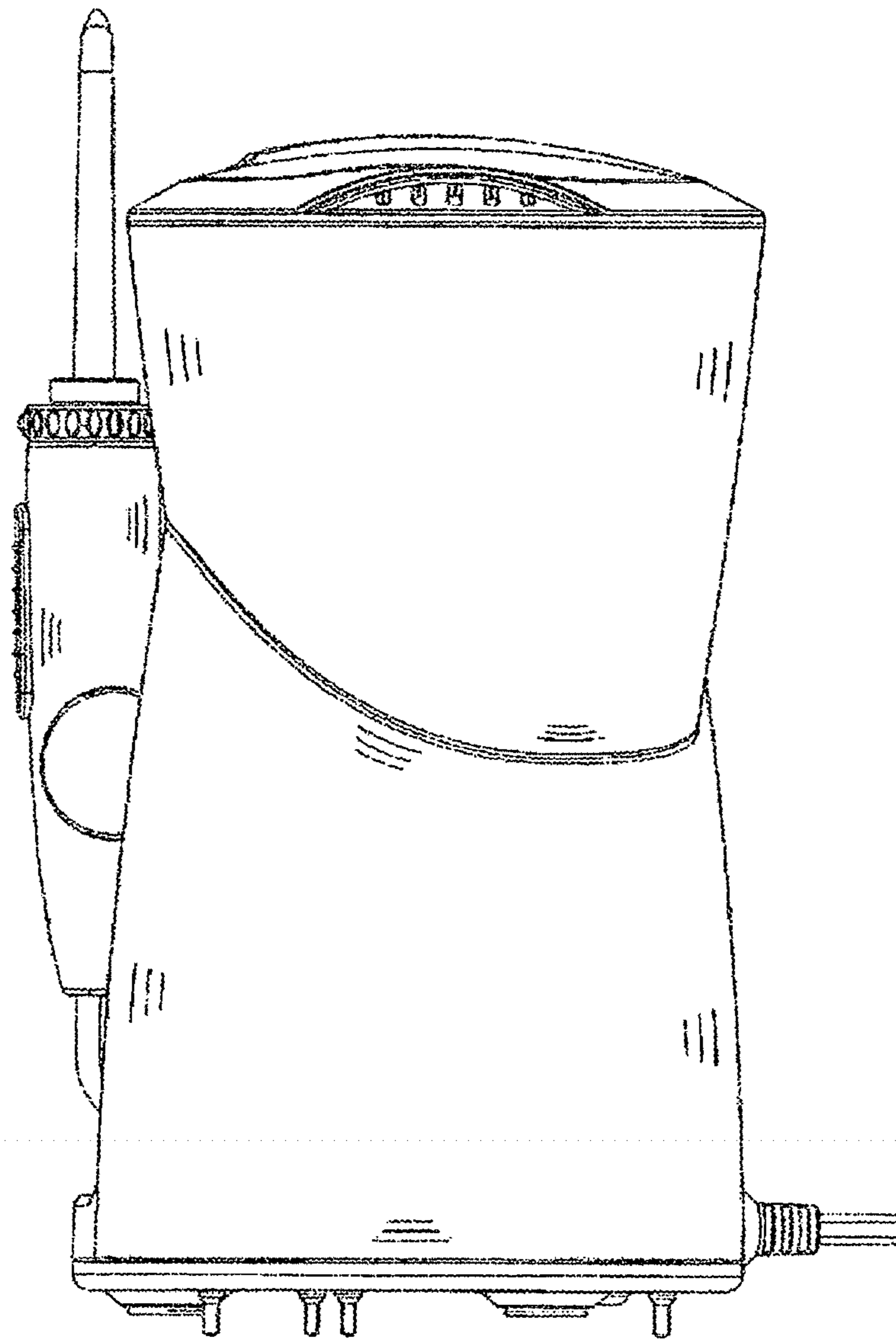


FIG. 4

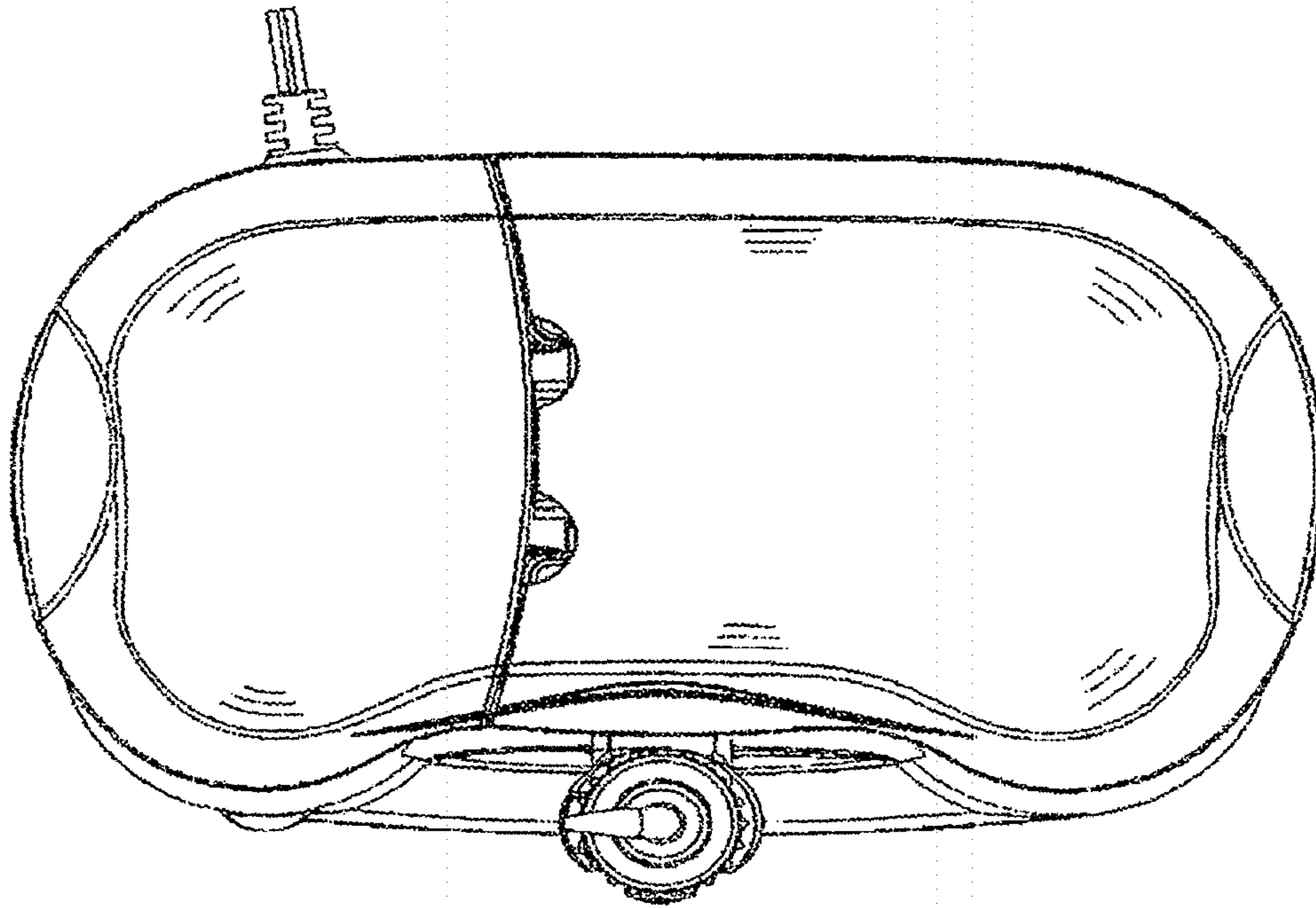


FIG. 5

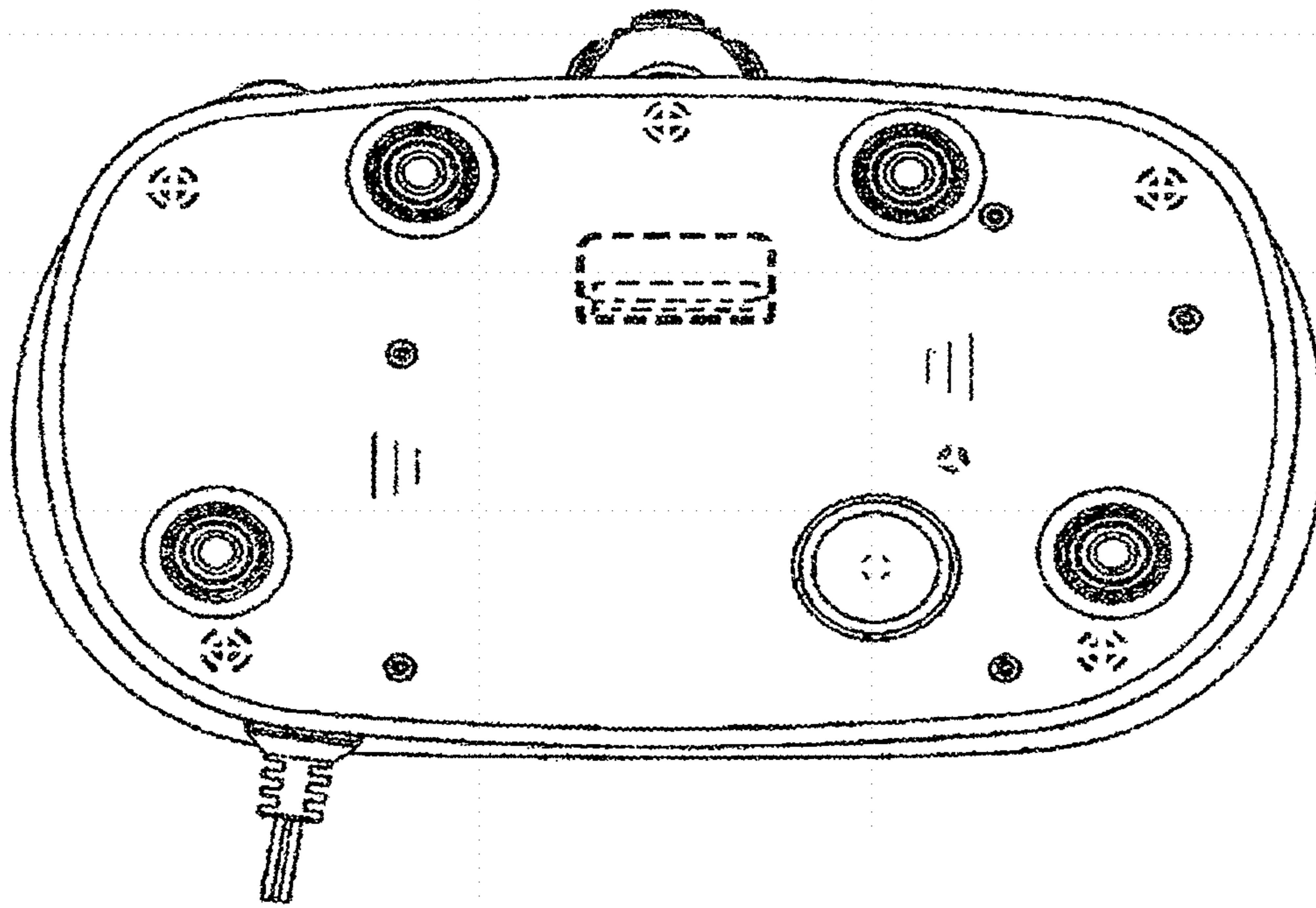


FIG. 6

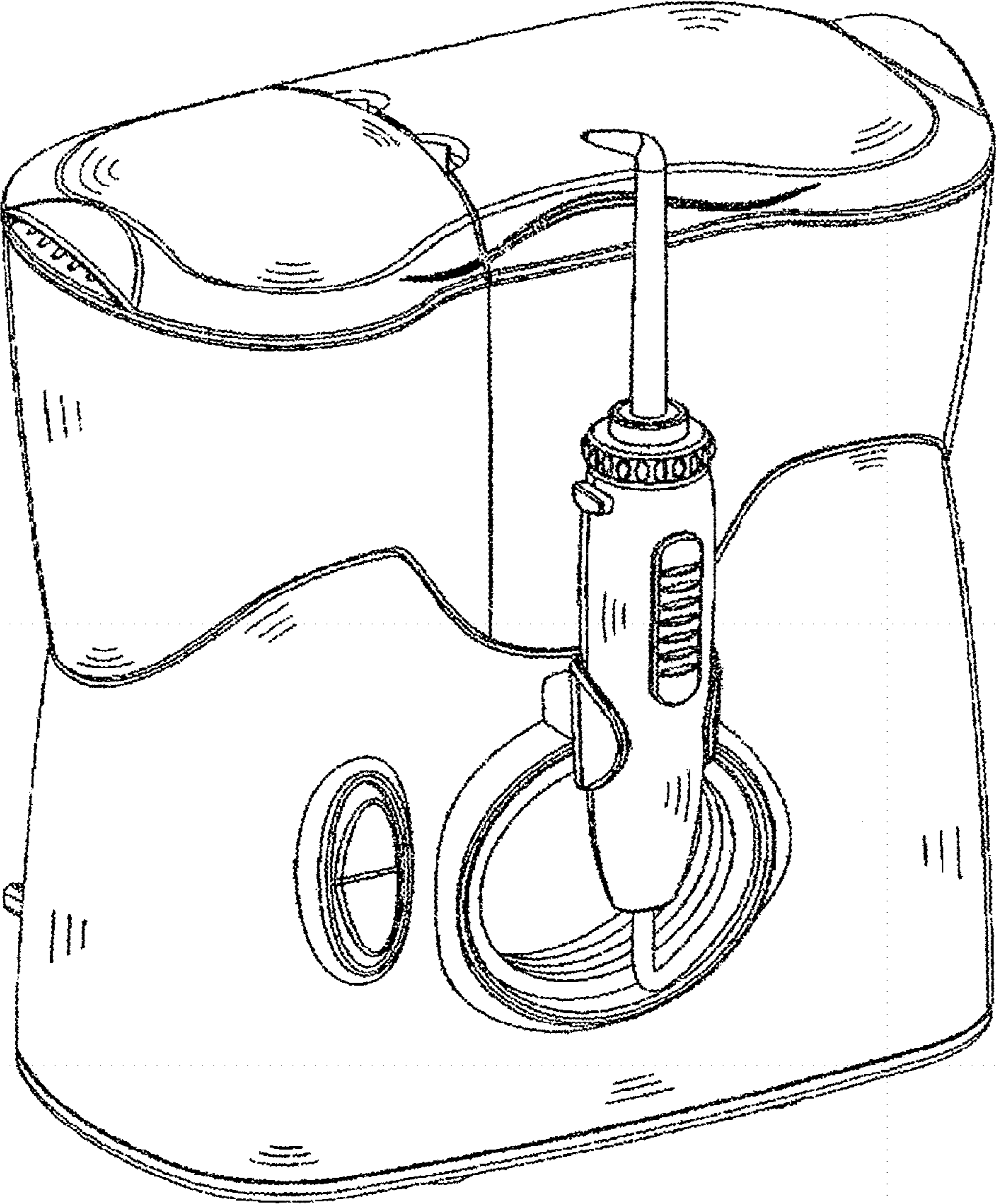


FIG. 7