



US00D764044S

(12) **United States Design Patent**
Sordo et al.

(10) **Patent No.:** **US D764,044 S**
(45) **Date of Patent:** **** Aug. 16, 2016**

(54) **DIFFUSING EVAPORATOR OF ACTIVE SUBSTANCES**

(71) Applicant: **ZOBELE HOLDING S.p.A.**, Trento (IT)

(72) Inventors: **Walter Sordo**, Trento (IT); **Danilo Rossi**, Trento (IT)

(73) Assignee: **ZOBELE HOLDING S.P.A.**, Trento (IT)

(**) Term: **15 Years**

(21) Appl. No.: **29/536,223**

(22) Filed: **Aug. 14, 2015**

(30) **Foreign Application Priority Data**

Feb. 17, 2015 (EM) 002635425-0001

(51) **LOC (10) Cl.** **28-99**

(52) **U.S. Cl.**
USPC **D23/366**

(58) **Field of Classification Search**
USPC D23/355-369; D28/5, 6; 261/DIG. 17, 261/DIG. 42, DIG. 47, DIG. 55, DIG. 65, 261/DIG. 70, DIG. 88, DIG. 89; 392/386, 392/389, 394, 395, 403; 239/34, 44, 45, 53, 239/56
CPC A61L 9/02; A61L 9/03; A61L 9/034; A61L 9/04; A61L 9/12; A61L 9/032; A61L 9/122; A61L 9/127; A61L 9/22
See application file for complete search history.

(56) **References Cited**

U.S. PATENT DOCUMENTS

D142,737 S *	10/1945	Norris	D23/356
D251,984 S *	5/1979	Gombert	D23/369
5,544,812 A *	8/1996	Torres	A61L 9/12 239/211
D535,007 S *	1/2007	Koon	D12/209
D535,008 S *	1/2007	Wu	D12/209
D541,921 S *	5/2007	Muderlak	D23/366
D544,088 S *	6/2007	Wu	D23/368
D551,333 S *	9/2007	Wu	D23/366
D552,724 S *	10/2007	Chen	D23/366

* cited by examiner

Primary Examiner — Sandra Snapp

(74) *Attorney, Agent, or Firm* — Young & Thompson

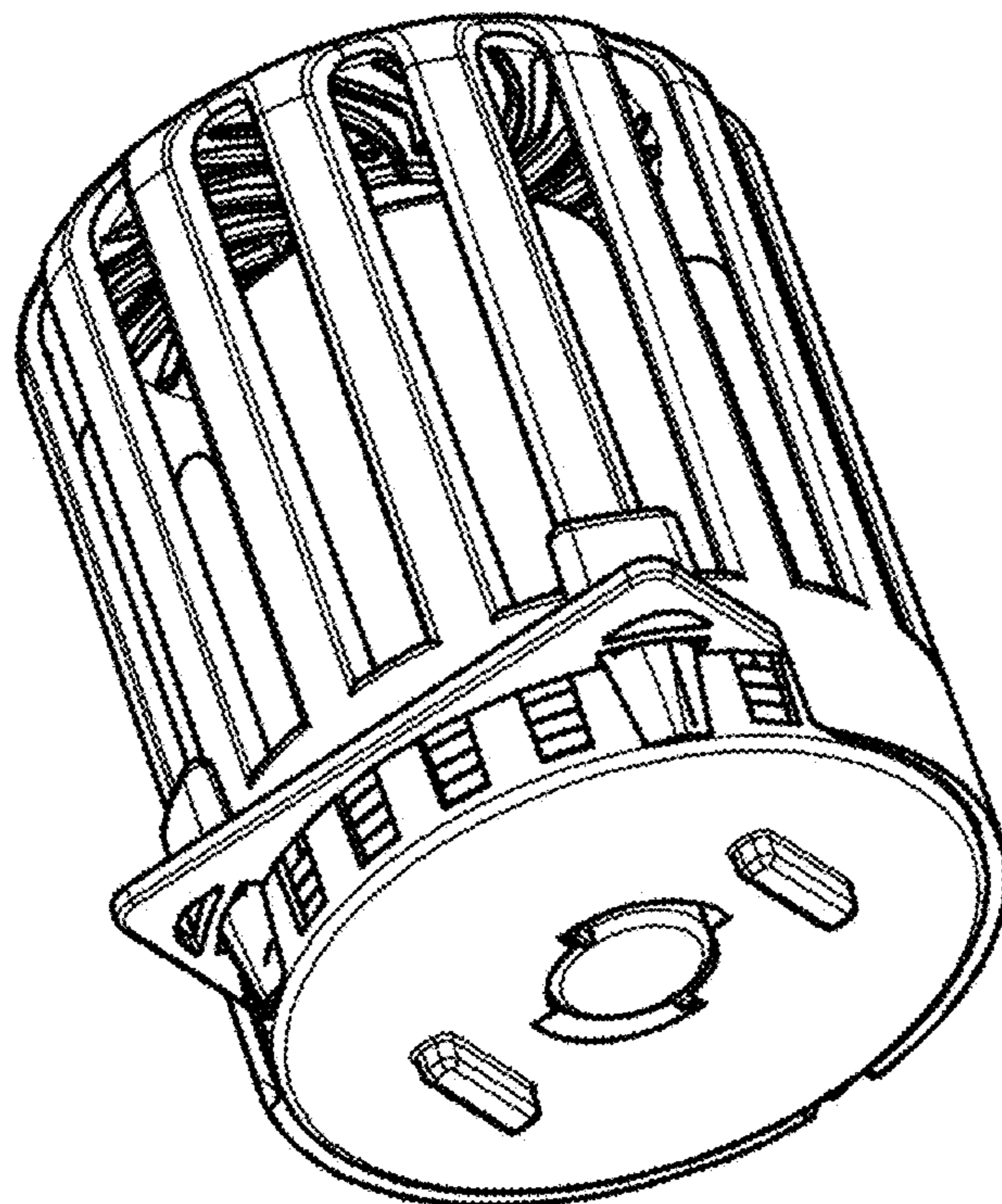
(57) **CLAIM**

The ornamental design for a diffusing evaporator of active substances, as shown and described.

DESCRIPTION

FIG. 1 is a bottom perspective view of a diffusing evaporator of active substances showing the new design; FIG. 2 is a top perspective view thereof; FIG. 3 is a bottom view thereof; FIG. 4 is a top view thereof; FIG. 5 is a right side view thereof; FIG. 6 is a back view thereof; and, FIG. 7 is a front view thereof.

1 Claim, 7 Drawing Sheets



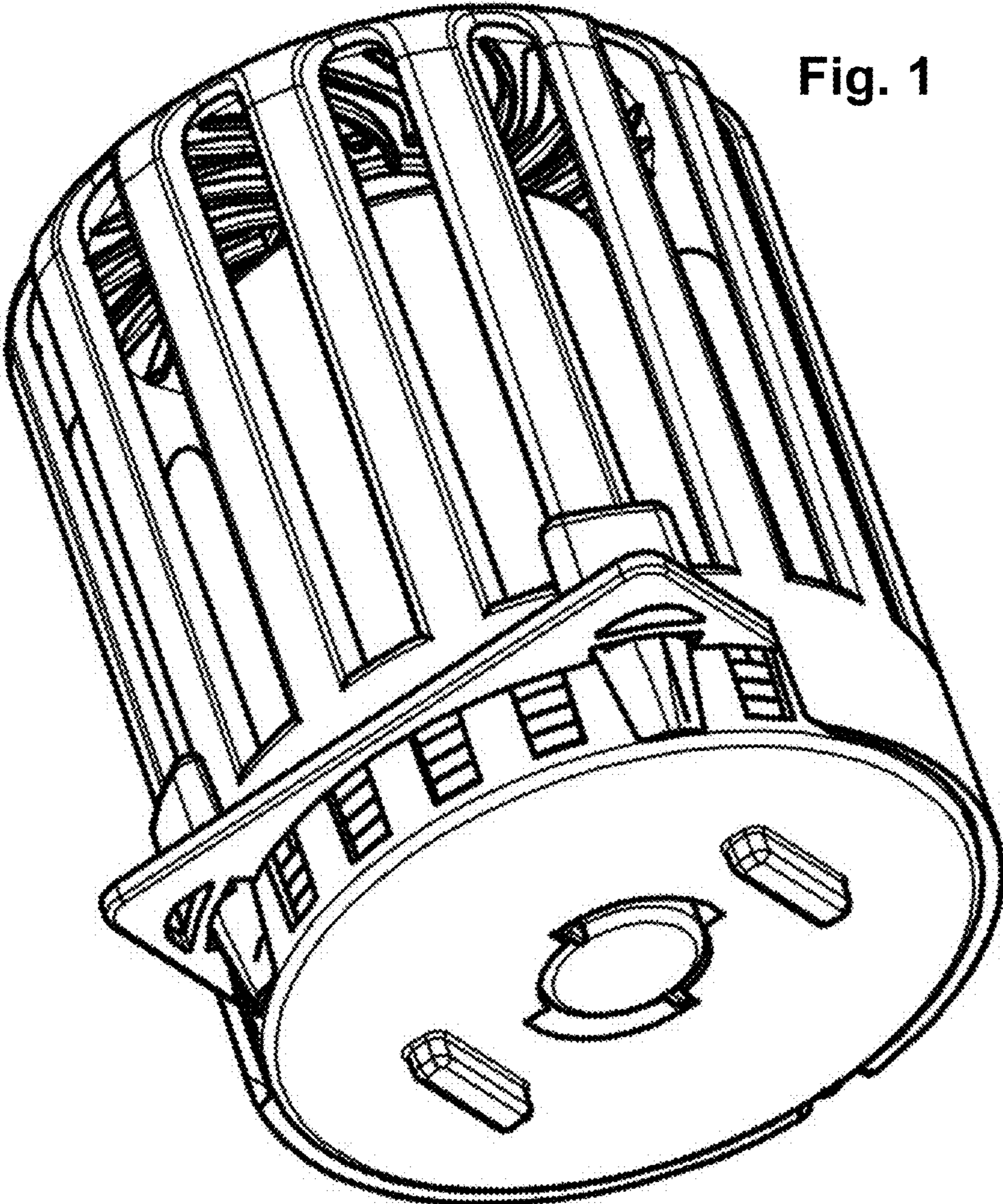


Fig. 1

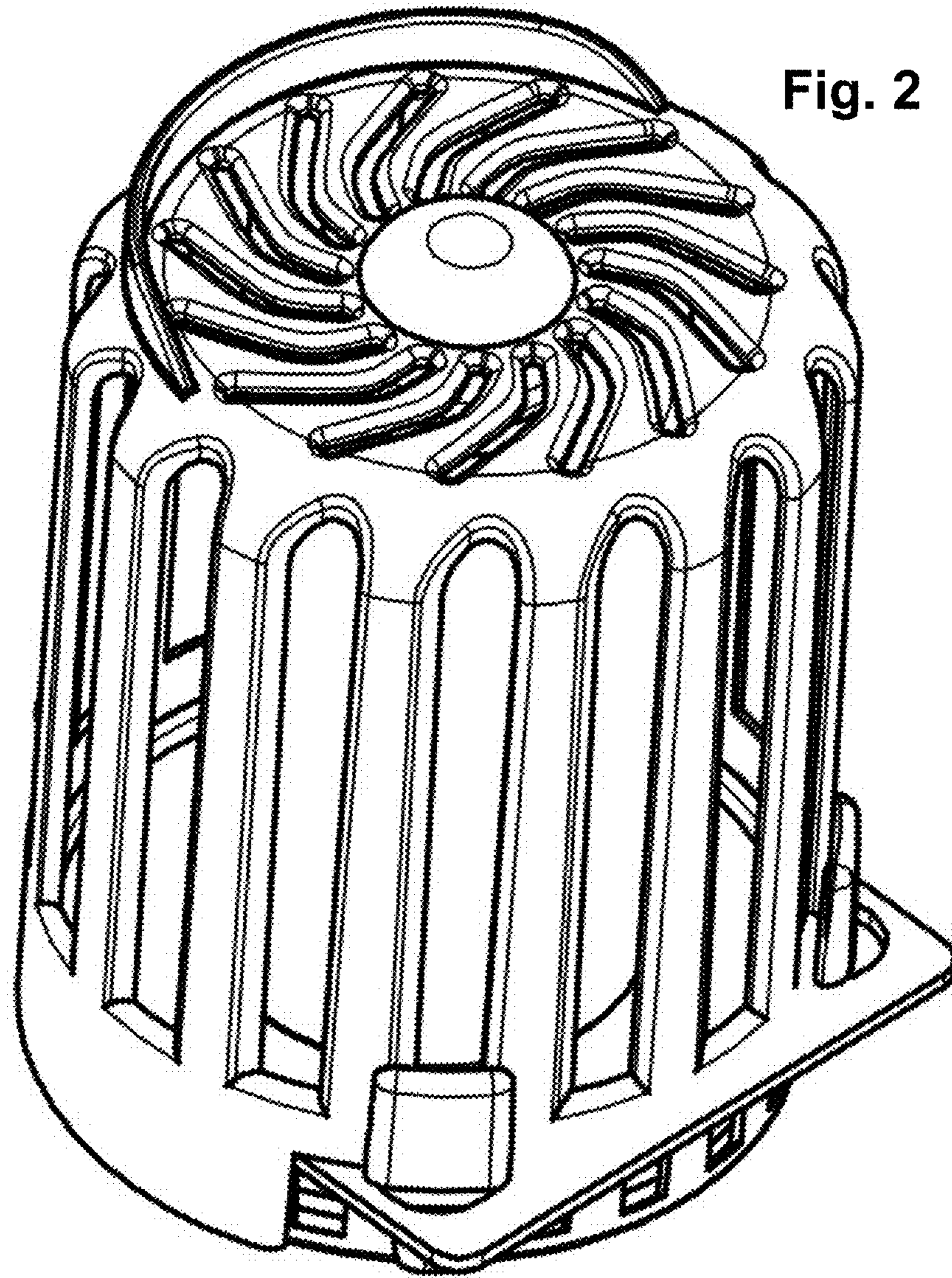


Fig. 2

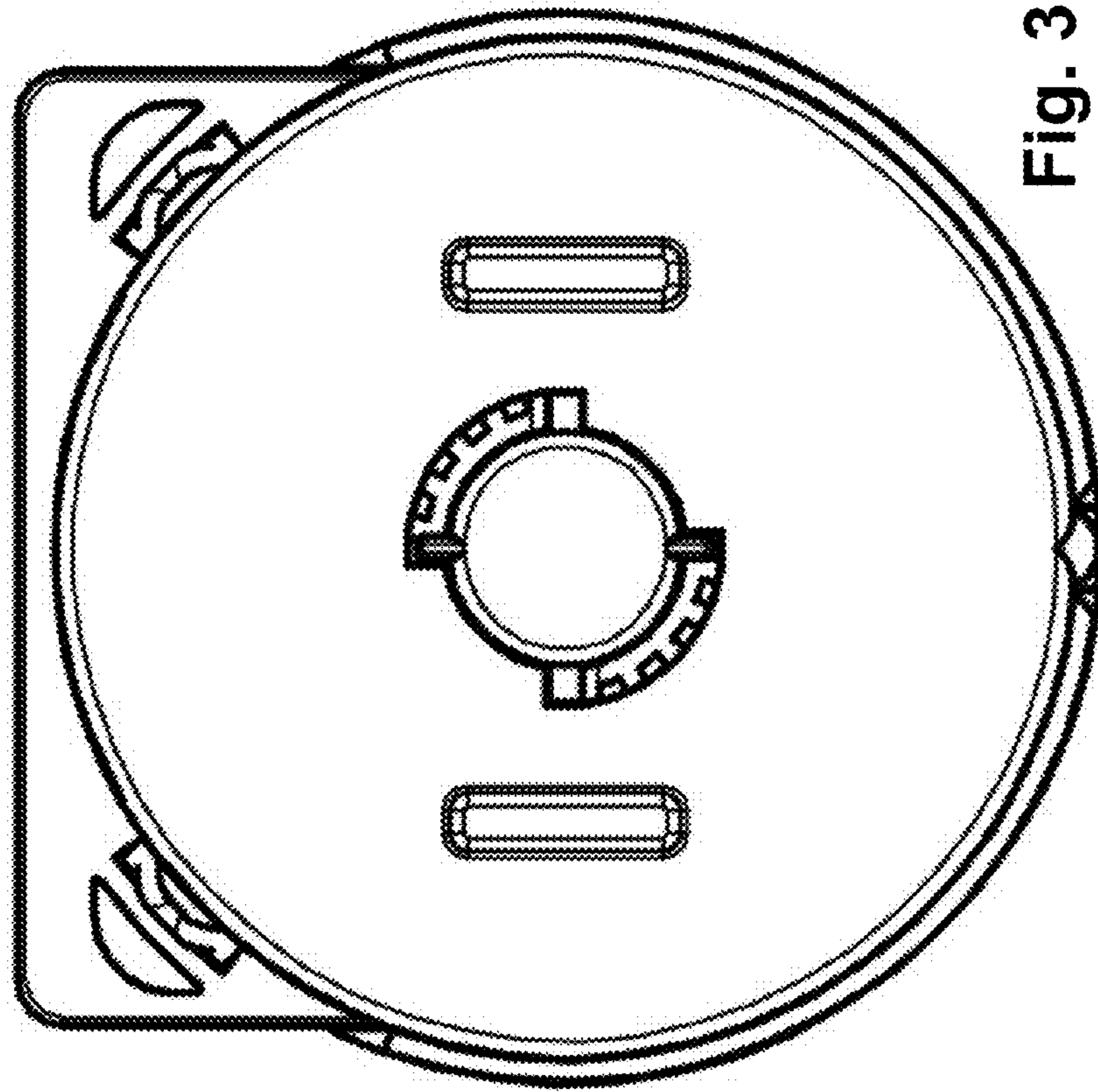


Fig. 3

Fig. 4

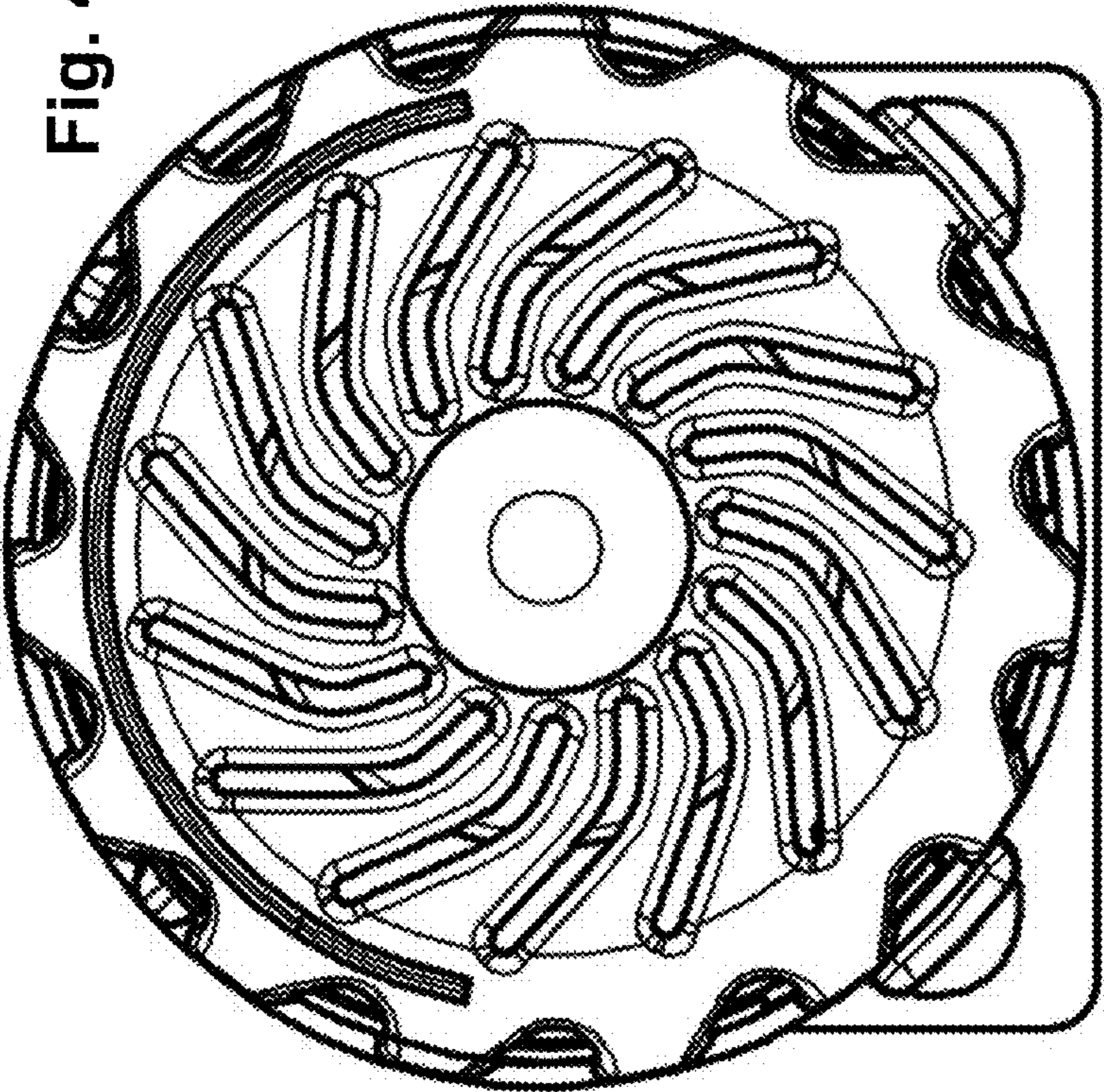


Fig. 5

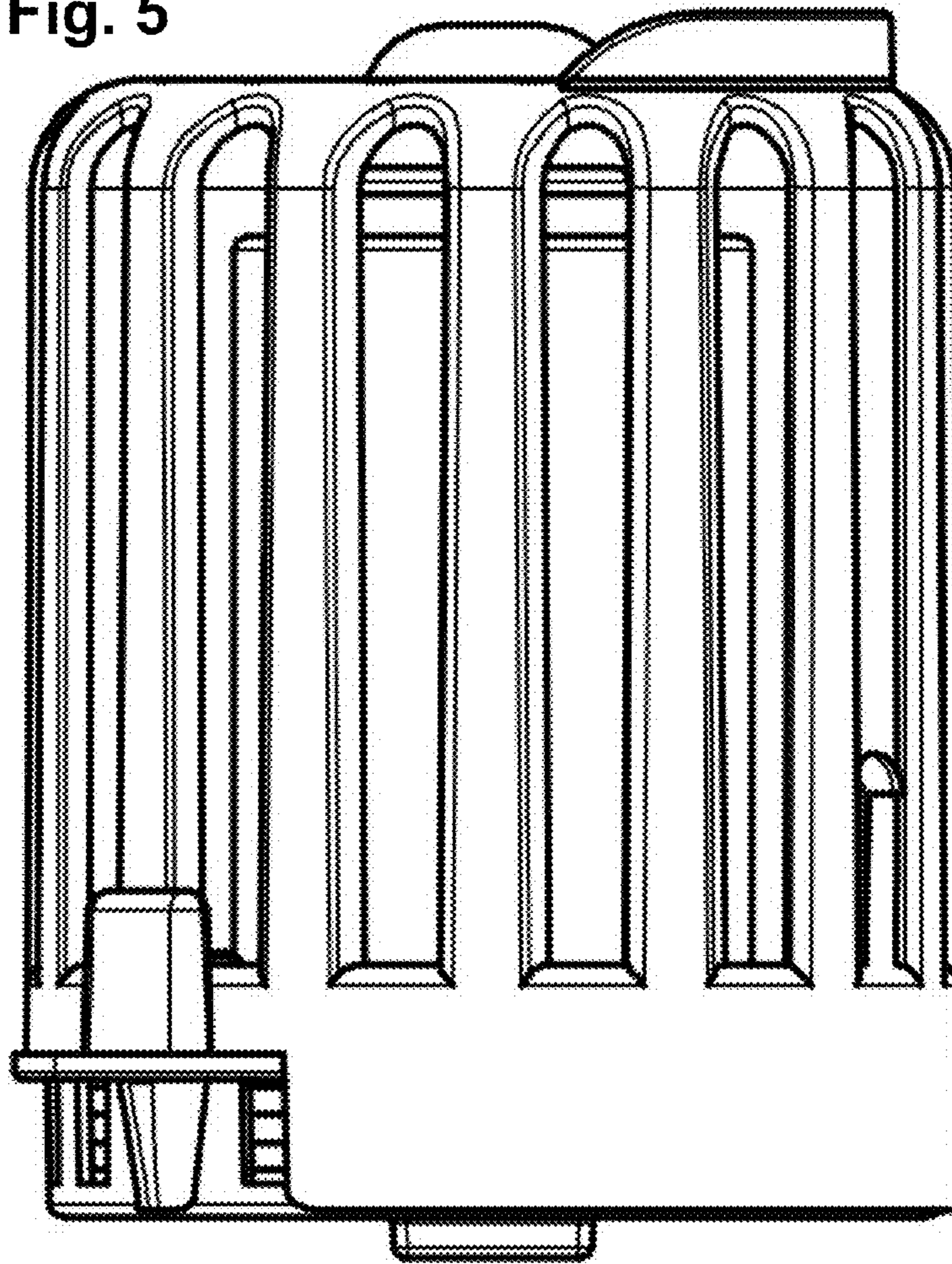


Fig. 6

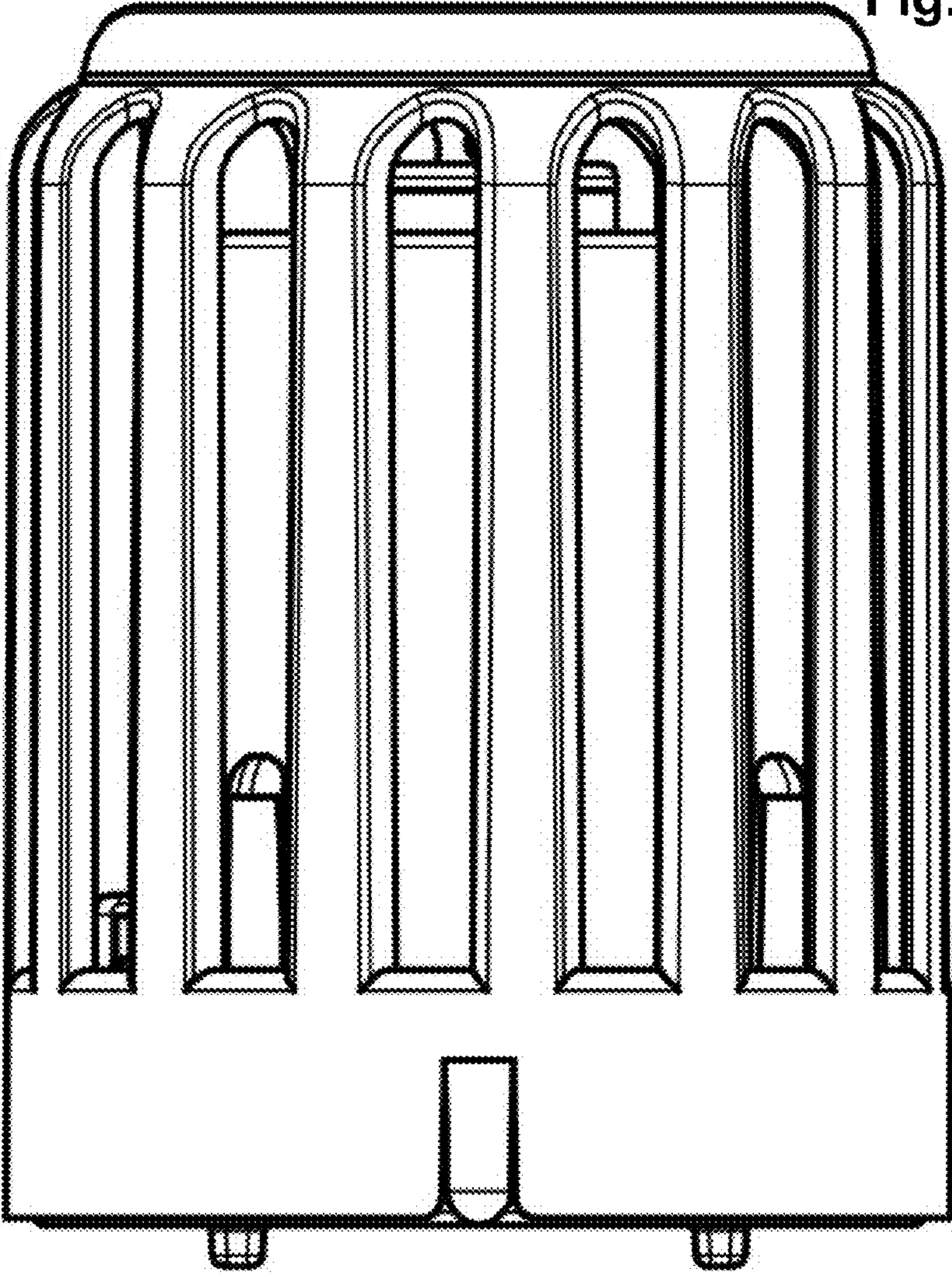


Fig. 7

