



US00D764041S

(12) **United States Design Patent**
Hugues

(10) **Patent No.:** **US D764,041 S**

(45) **Date of Patent:** **** Aug. 16, 2016**

(54) **FILTER**

(71) Applicant: **Camfil AB**, Stockholm (SE)

(72) Inventor: **Mathieu Hugues**, Trosa (SE)

(73) Assignee: **Camfil AB**, Stockholm (SE)

(**) Term: **14 Years**

(21) Appl. No.: **29/521,586**

(22) Filed: **Mar. 25, 2015**

(30) **Foreign Application Priority Data**

Sep. 25, 2014 (EM) 002545392-0001

(51) **LOC (10) Cl.** **23-04**

(52) **U.S. Cl.**

USPC **D23/365**

(58) **Field of Classification Search**

USPC D23/355-365, 386-388, 314, 325,
D23/333-336; 55/478, 482, 483, 490, 497,
55/498, 520, 521, 529

CPC B01D 46/00; B01D 46/004; B01D 27/04;
B01D 27/06; B01D 39/00

See application file for complete search history.

(56) **References Cited**

U.S. PATENT DOCUMENTS

D677,370 S *	3/2013	Handley	D23/365
9,205,359 B2 *	12/2015	Kelmartin	B01D 46/0002
2009/0193773 A1 *	8/2009	Sundvik	B01D 46/125
			55/478
2011/0289894 A1 *	12/2011	Nicholas	B01D 46/023
			55/486

* cited by examiner

Primary Examiner — Sandra Snapp

Assistant Examiner — Wendy Arminio

(74) *Attorney, Agent, or Firm* — Harness, Dickey & Pierce, P.L.C.

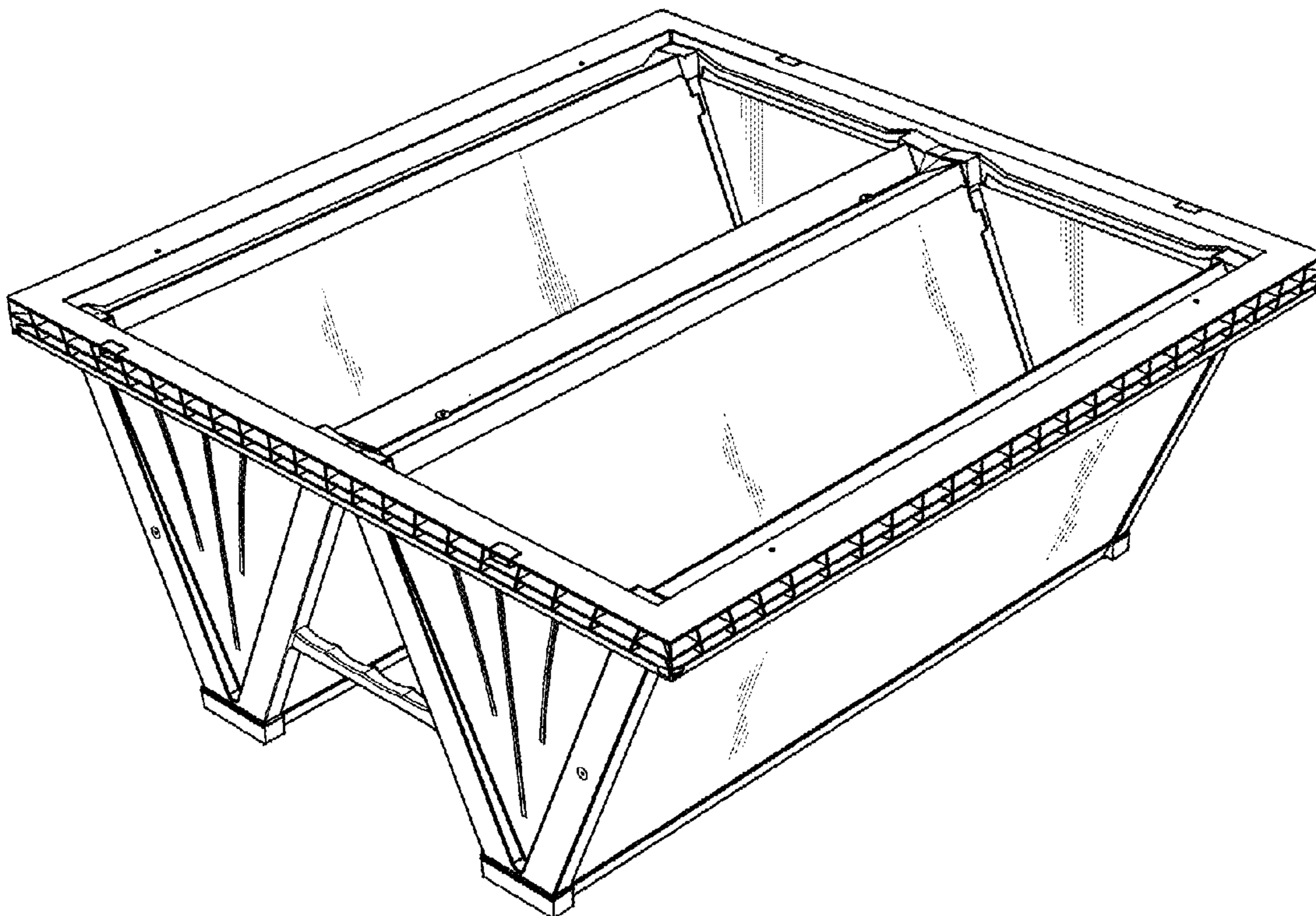
(57) **CLAIM**

The ornamental design for a filter, as shown.

DESCRIPTION

FIG. 1 is a perspective view obliquely from the front of an embodiment of a filter, showing my new design;
FIG. 2 is perspective view obliquely from the rear thereof;
FIG. 3 is a rear view thereof;
FIG. 4 is a front view thereof;
FIG. 5 is a side view thereof; and,
FIG. 6 is a top/bottom view thereof.

1 Claim, 6 Drawing Sheets



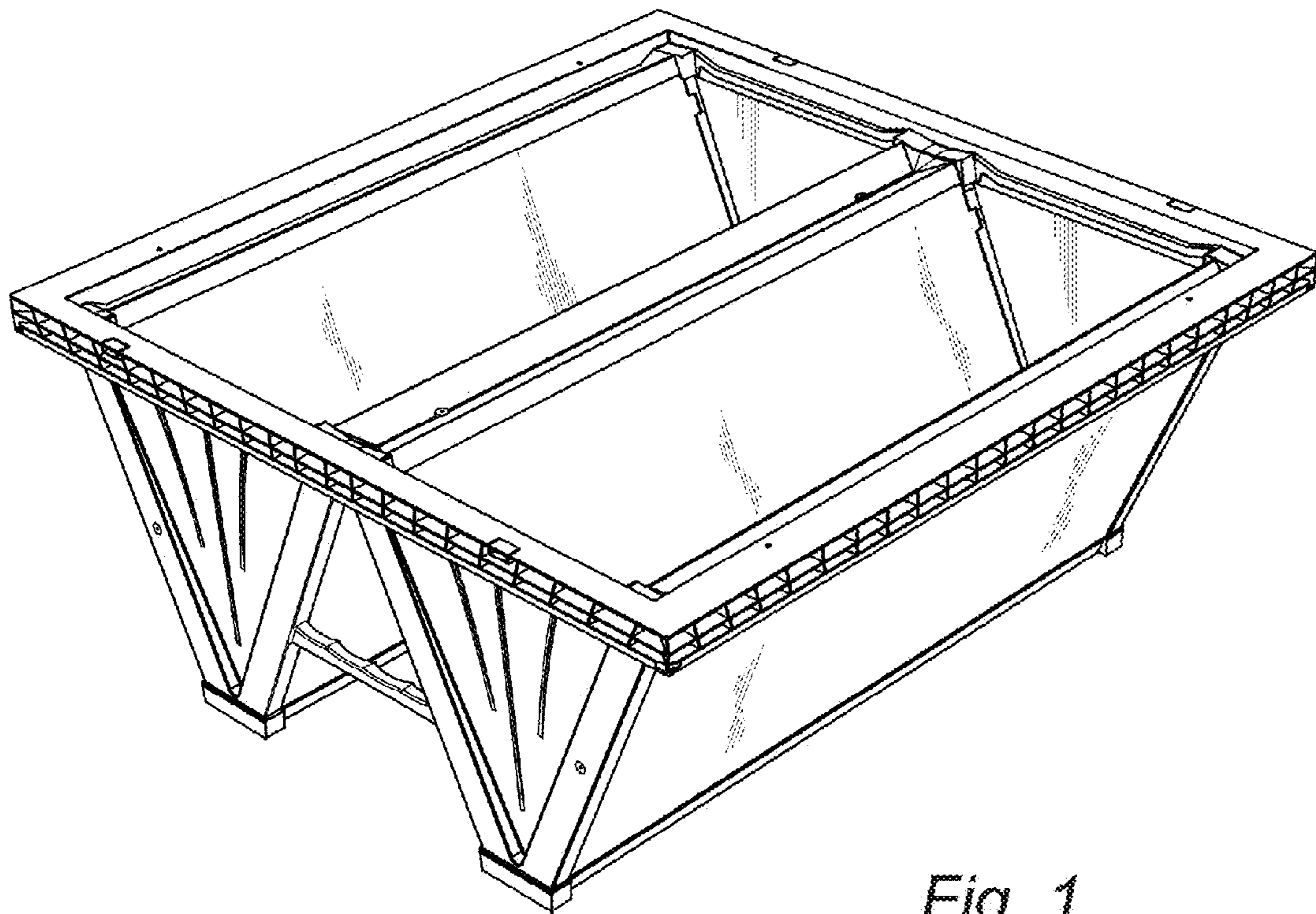


Fig. 1

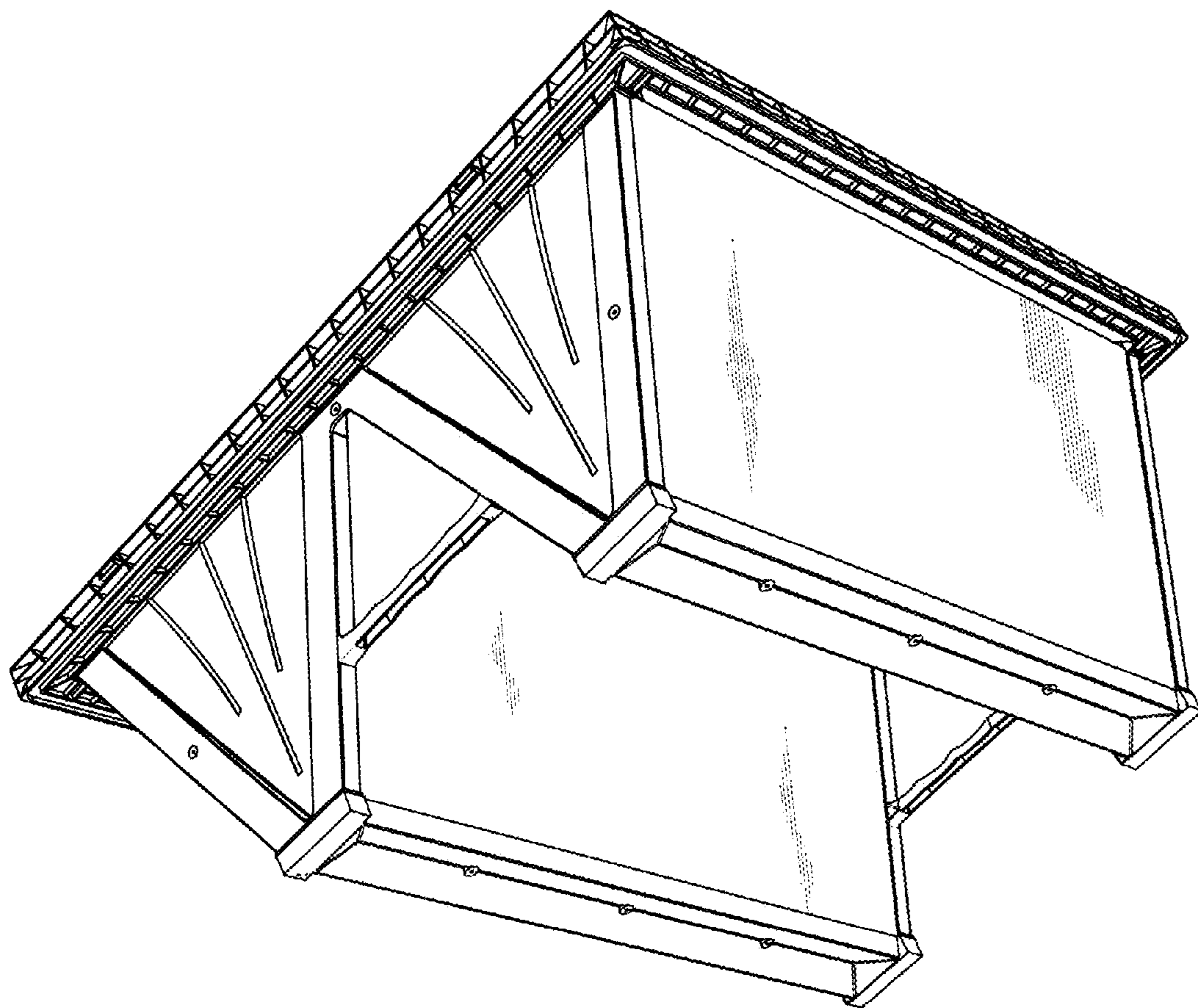


Fig. 2

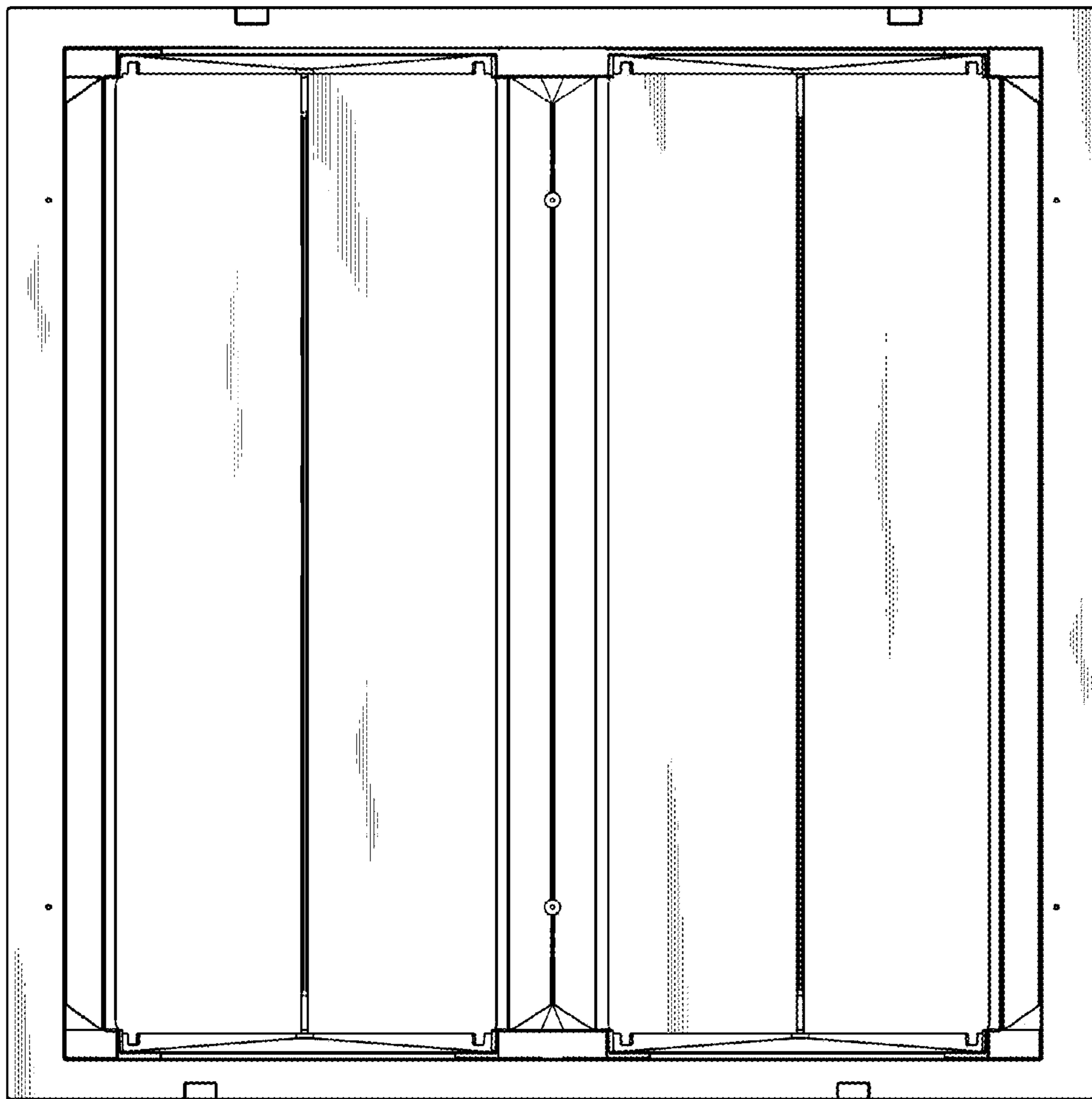


Fig. 3

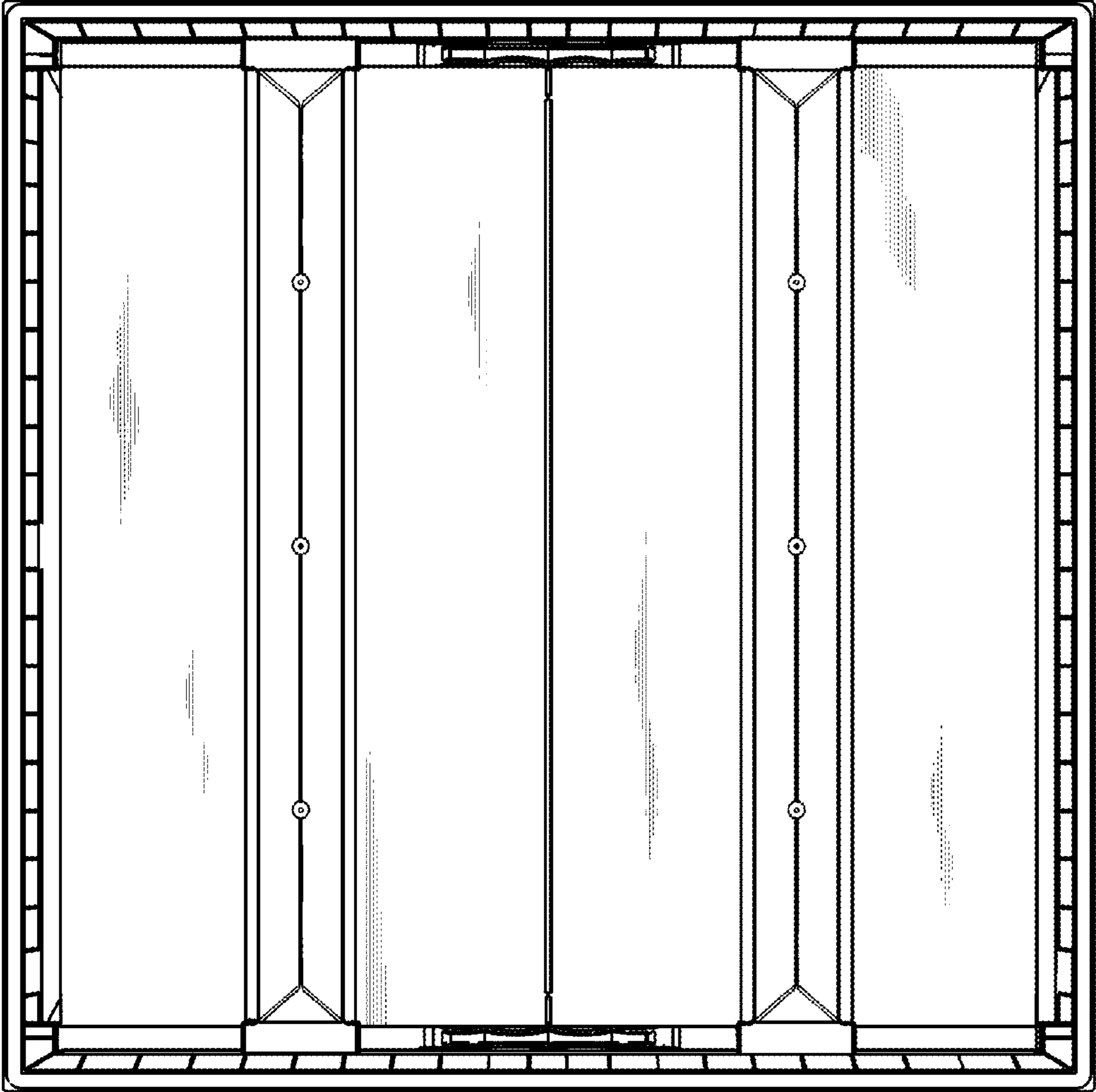


Fig. 4

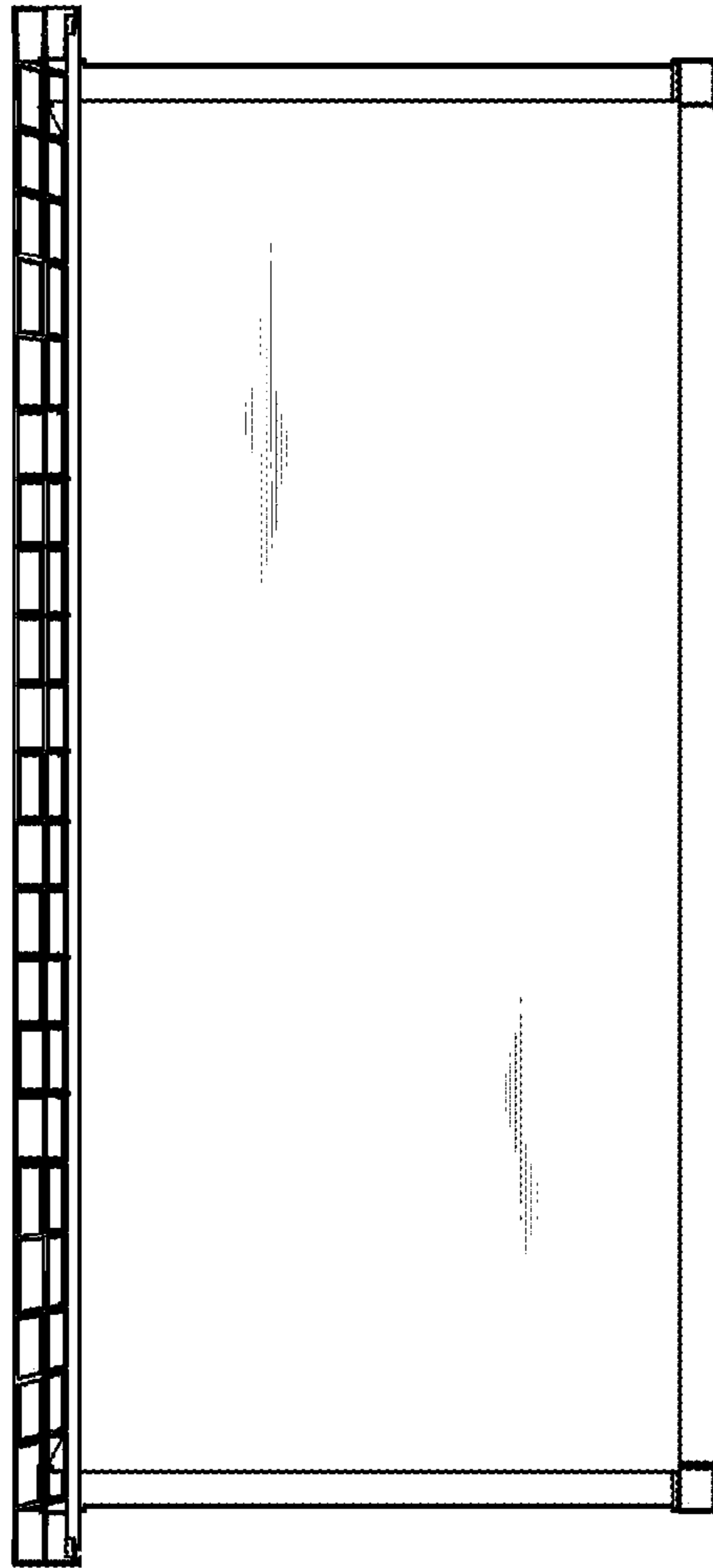


Fig. 5

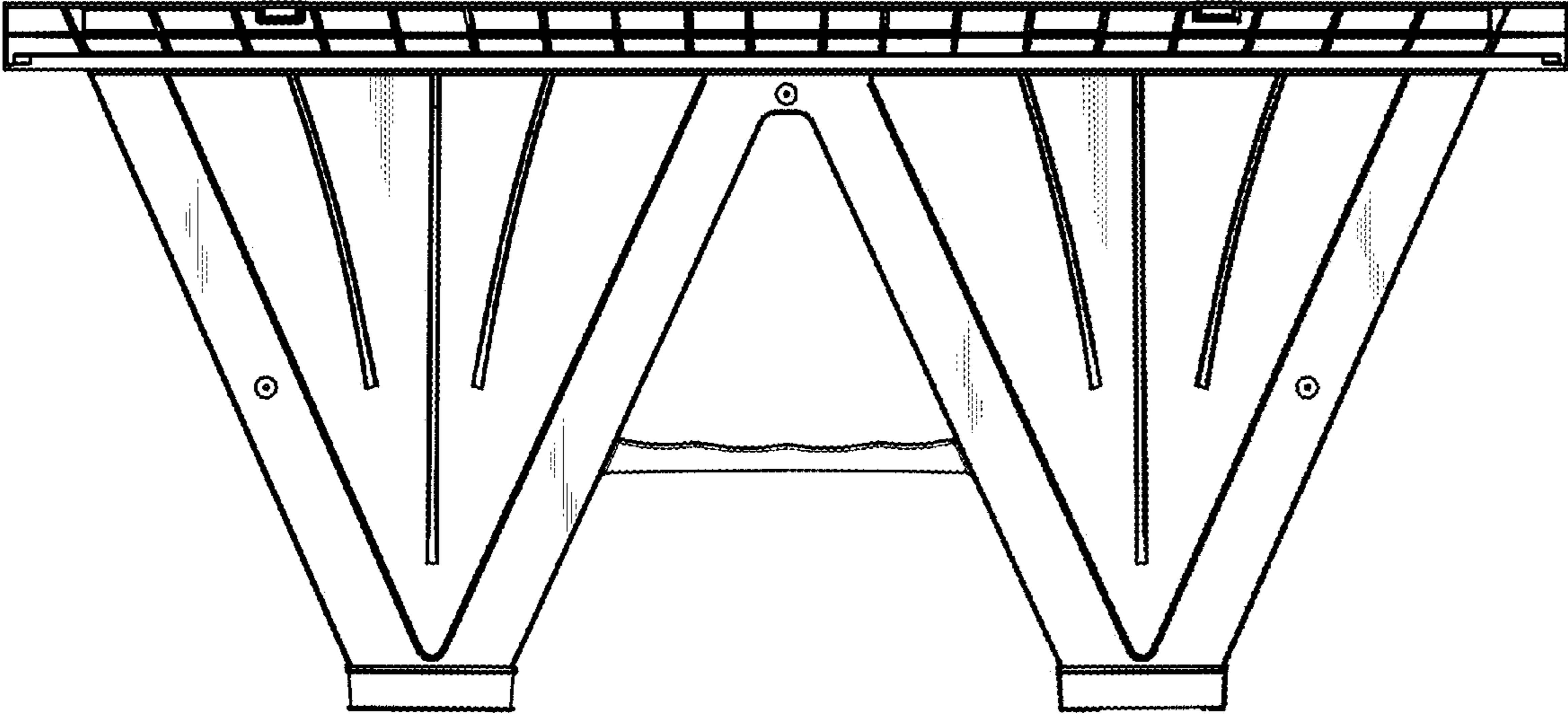


Fig. 6