



US00D764033S

(12) **United States Design Patent**  
**Chuk et al.**

(10) **Patent No.:** **US D764,033 S**

(45) **Date of Patent:** **\*\* Aug. 16, 2016**

(54) **TOILET**

(71) Applicant: **Icera LLC**, Santa Ana, CA (US)

(72) Inventors: **Charles Chuk**, Santa Ana, CA (US);  
**Robin Huang**, Wuxi (CN); **Haihe Cheng**, Wuxi (CN)

(73) Assignee: **ICERA LLC**, Santa Clara, CA (US)

(\*\*) Term: **15 Years**

(21) Appl. No.: **29/539,693**

(22) Filed: **Sep. 16, 2015**

(51) **LOC (10) Cl.** ..... **23-02**

(52) **U.S. Cl.**  
USPC ..... **D23/301**

(58) **Field of Classification Search**  
USPC ..... D23/311, 303, 295, 300-301  
CPC ..... A47K 13/00; A47K 13/24; E03D 1/00;  
E03D 1/01; E03D 1/012; E03D 1/26; E03D  
1/28

See application file for complete search history.

(56) **References Cited**

U.S. PATENT DOCUMENTS

D594,944 S \* 6/2009 Starck ..... D23/301  
D624,165 S \* 9/2010 Yokoyama ..... D23/301

\* cited by examiner

*Primary Examiner* — Robert Delehanty

(74) *Attorney, Agent, or Firm* — LKP Global Law, LLP

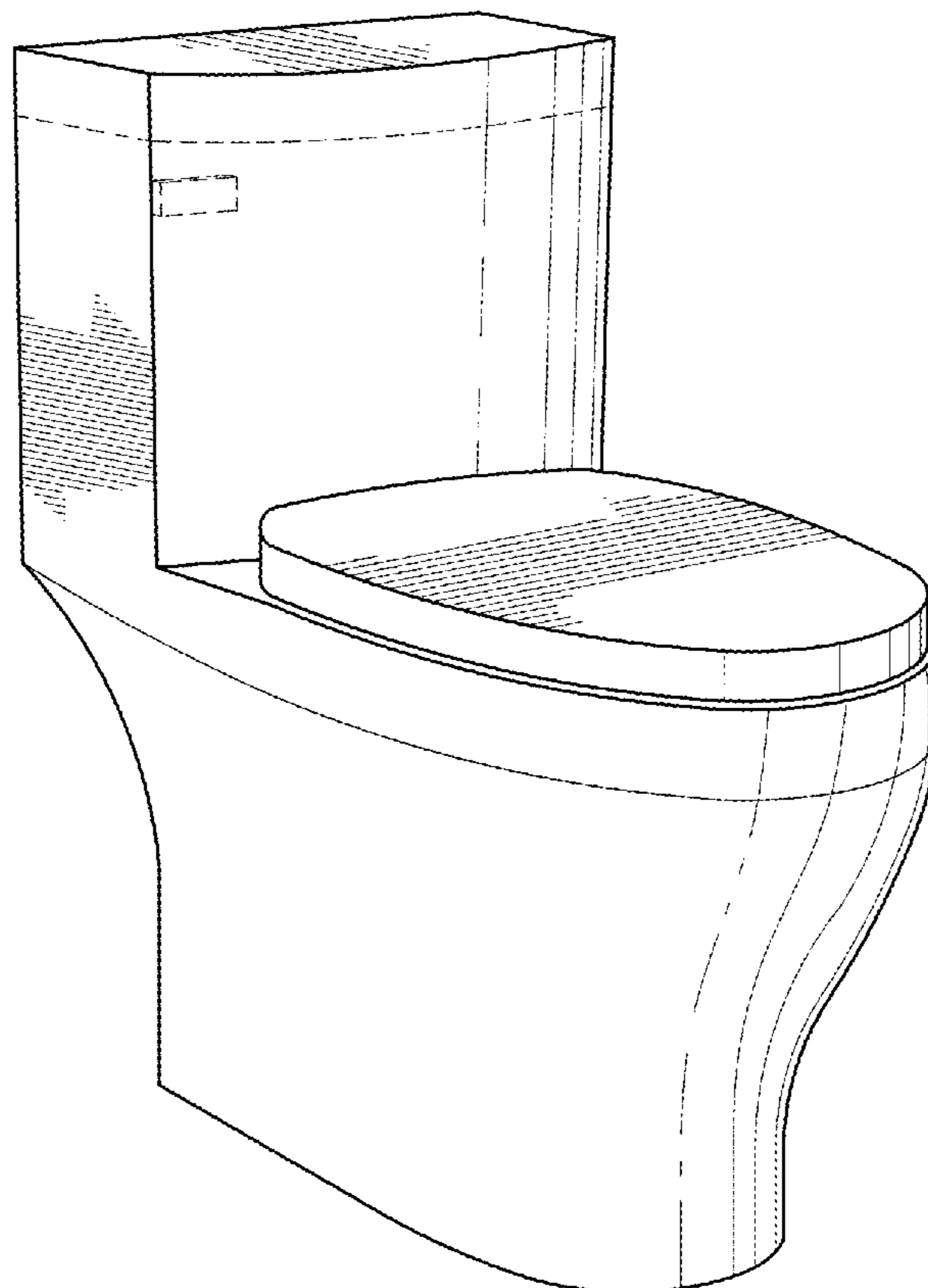
(57) **CLAIM**

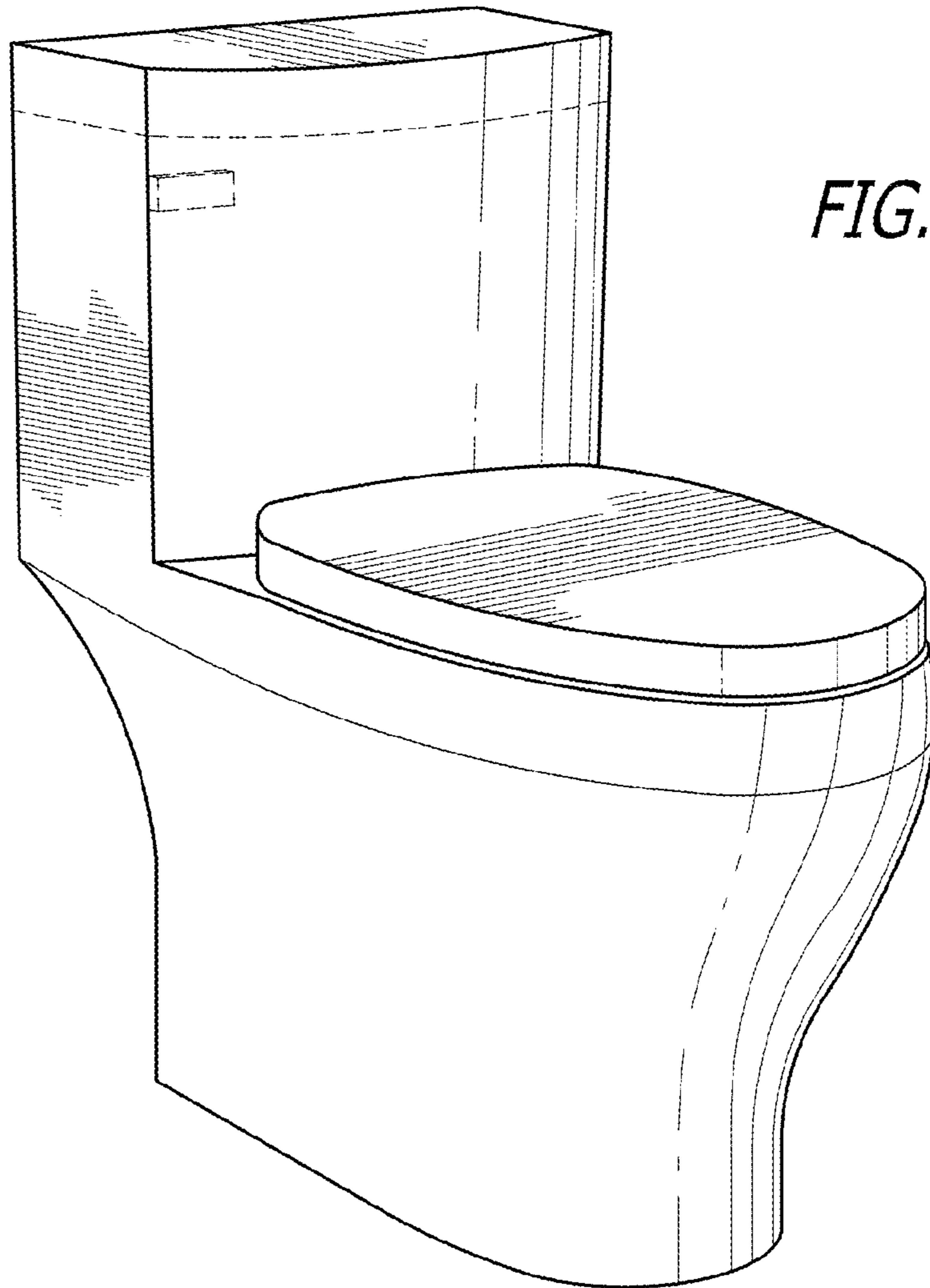
The ornamental design for a toilet, as shown and described.

**DESCRIPTION**

FIG. 1 is a perspective view of a toilet;  
FIG. 2 is a top view of the toilet taken from FIG. 1;  
FIG. 3 is a left side view of the toilet of FIG. 1;  
FIG. 4 is a right side view of the toilet of FIG. 1;  
FIG. 5 is a front view of the toilet of FIG. 1;  
FIG. 6 is a back view of the toilet of FIG. 1;  
FIG. 7 is a perspective view of another toilet;  
FIG. 8 is a top view of the toilet taken from FIG. 7;  
FIG. 9 is a left side view of the toilet of FIG. 7;  
FIG. 10 is a right side view of the toilet of FIG. 7;  
FIG. 11 is a front view of the toilet of FIG. 7; and,  
FIG. 12 is a back view of the toilet of FIG. 7.  
The broken lines are for illustrative purposes only and form no part of the claimed design.

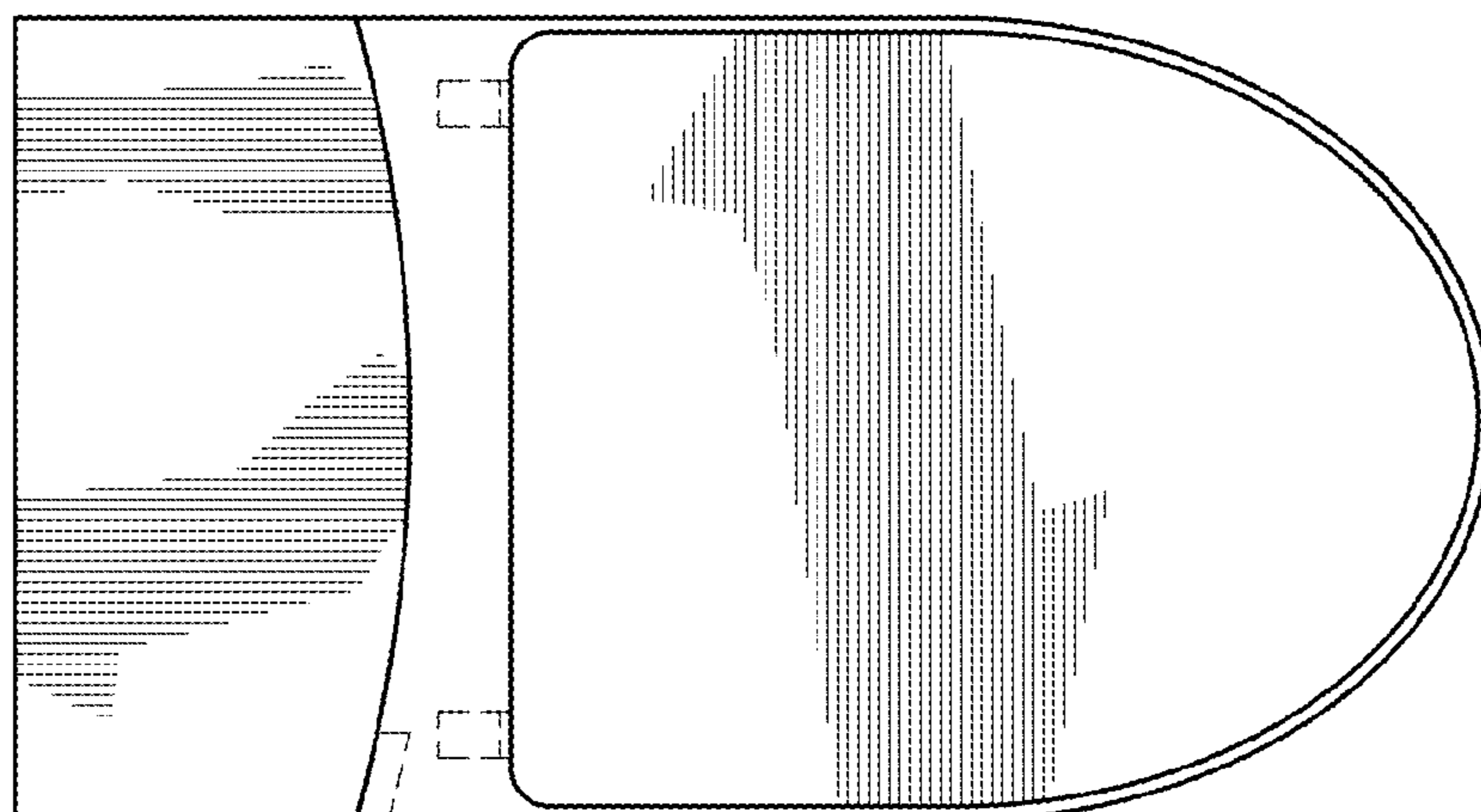
**1 Claim, 6 Drawing Sheets**

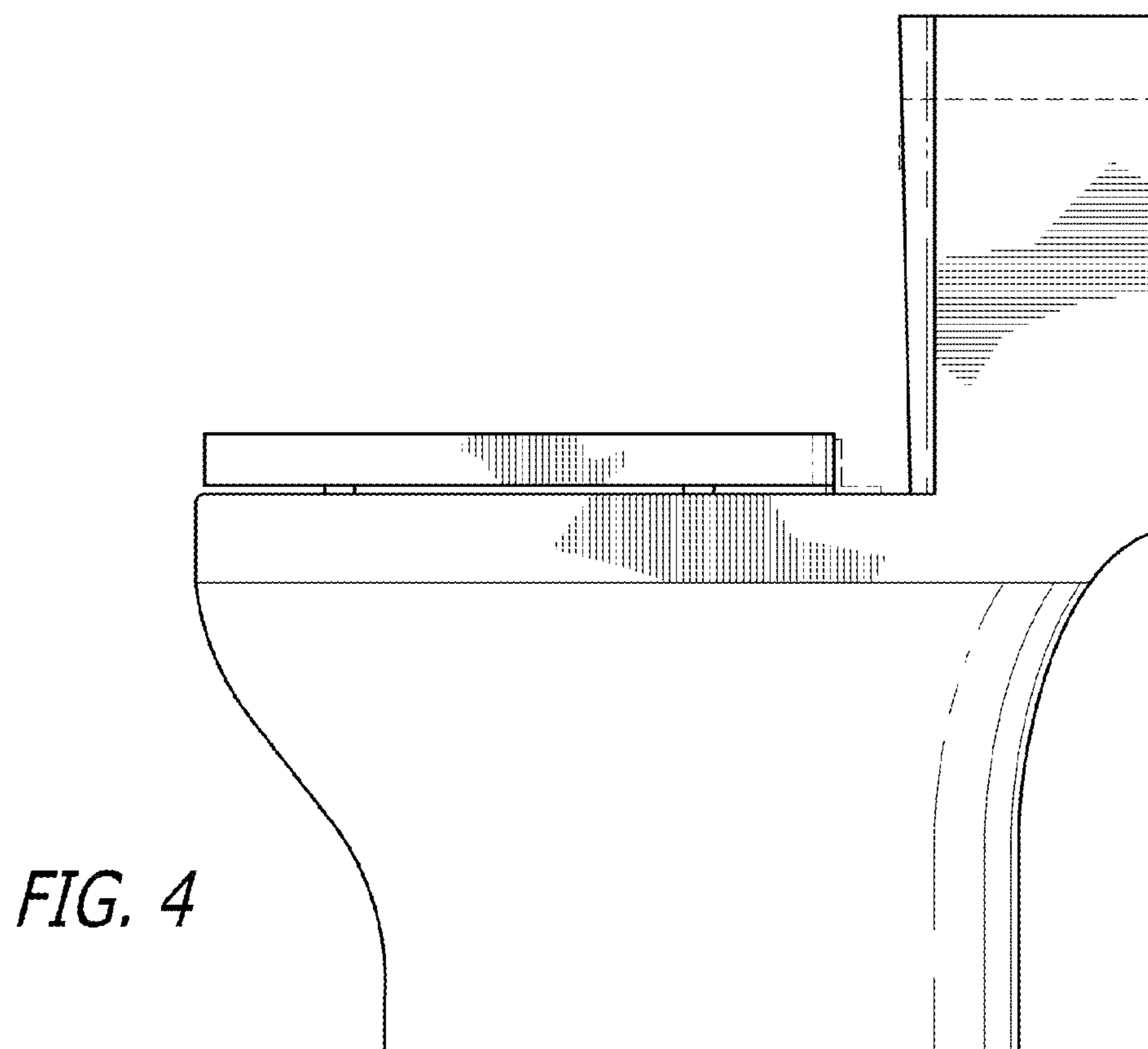
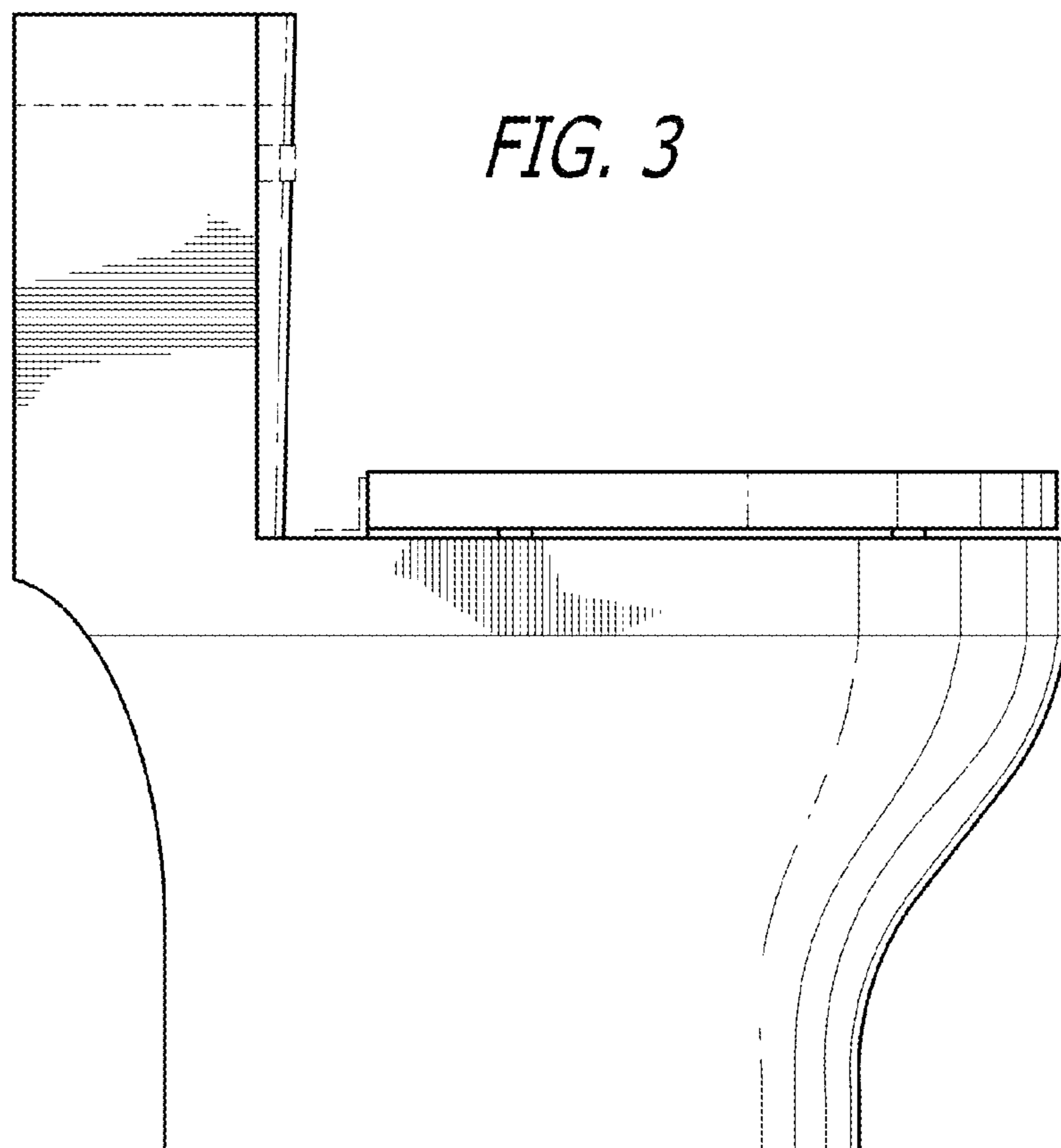


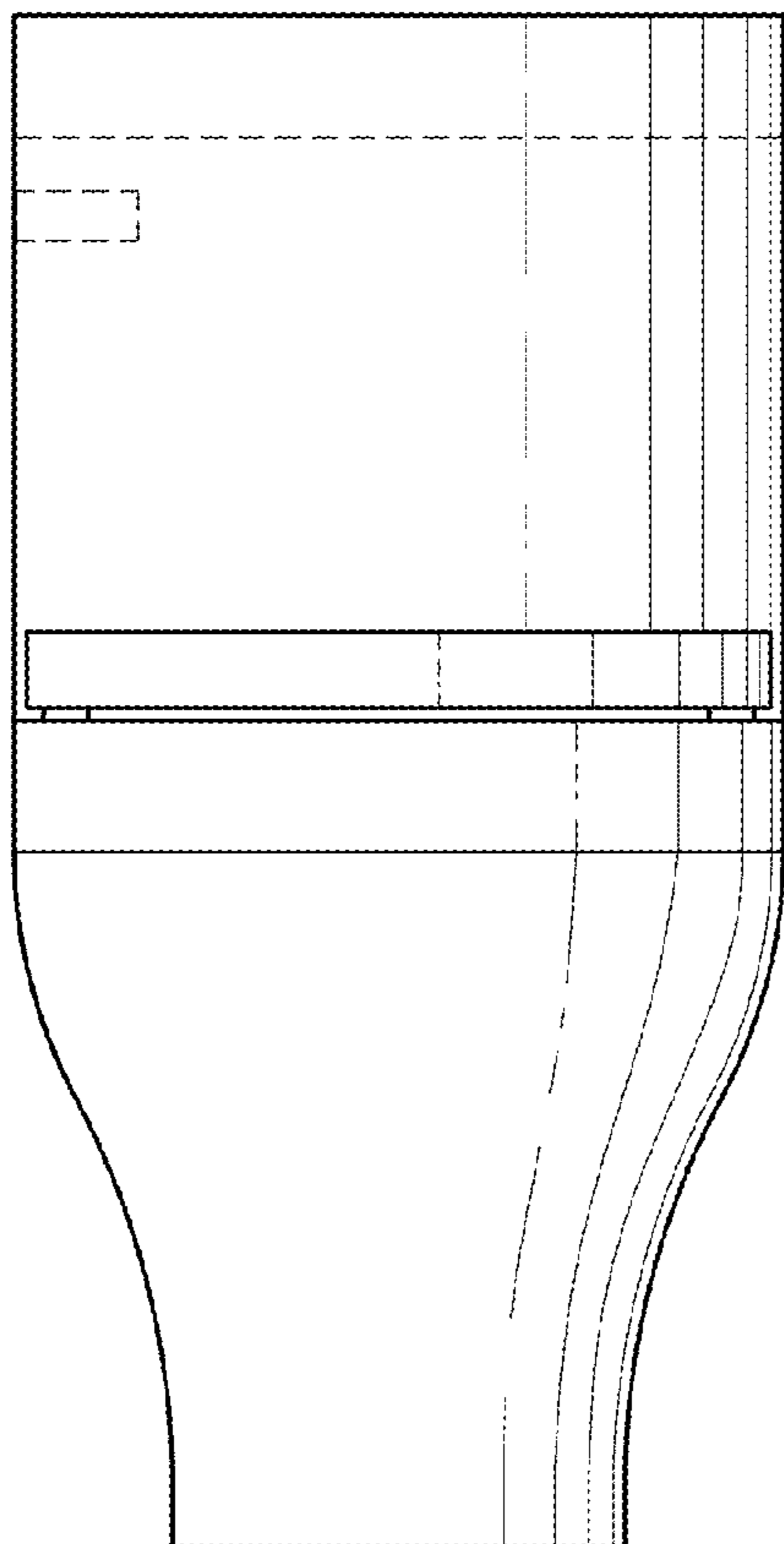


*FIG. 1*

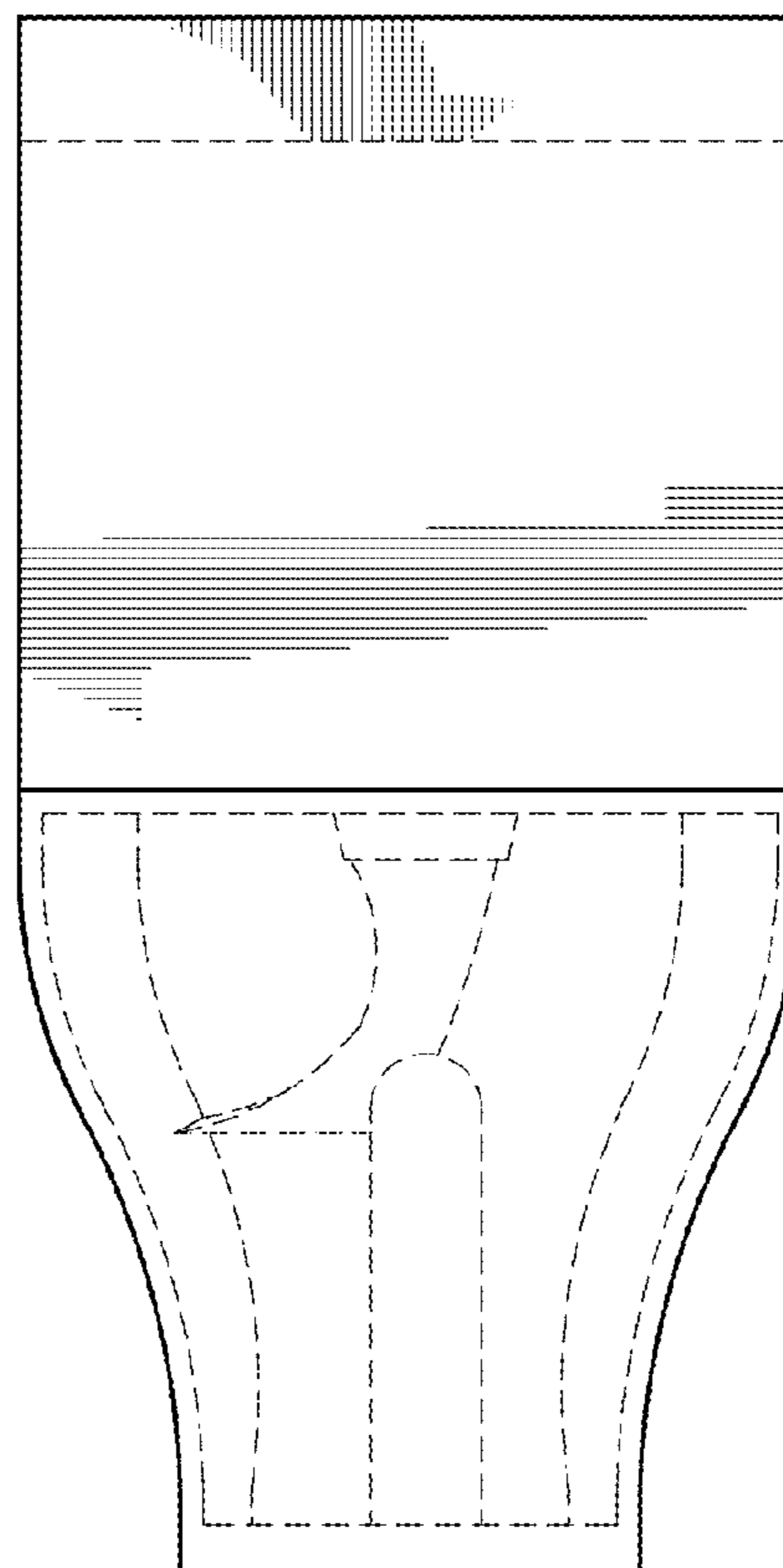
*FIG. 2*



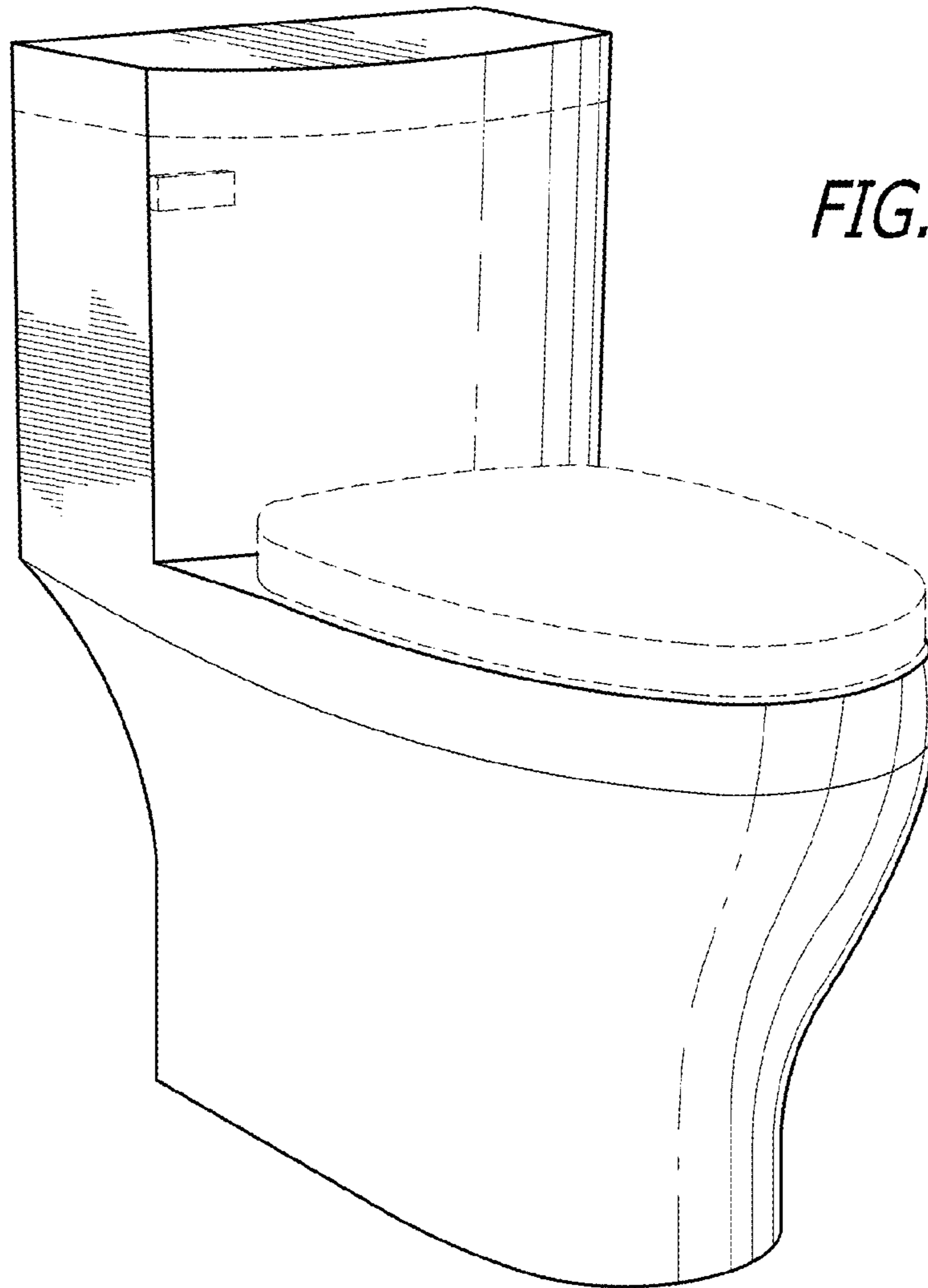




*FIG. 5*

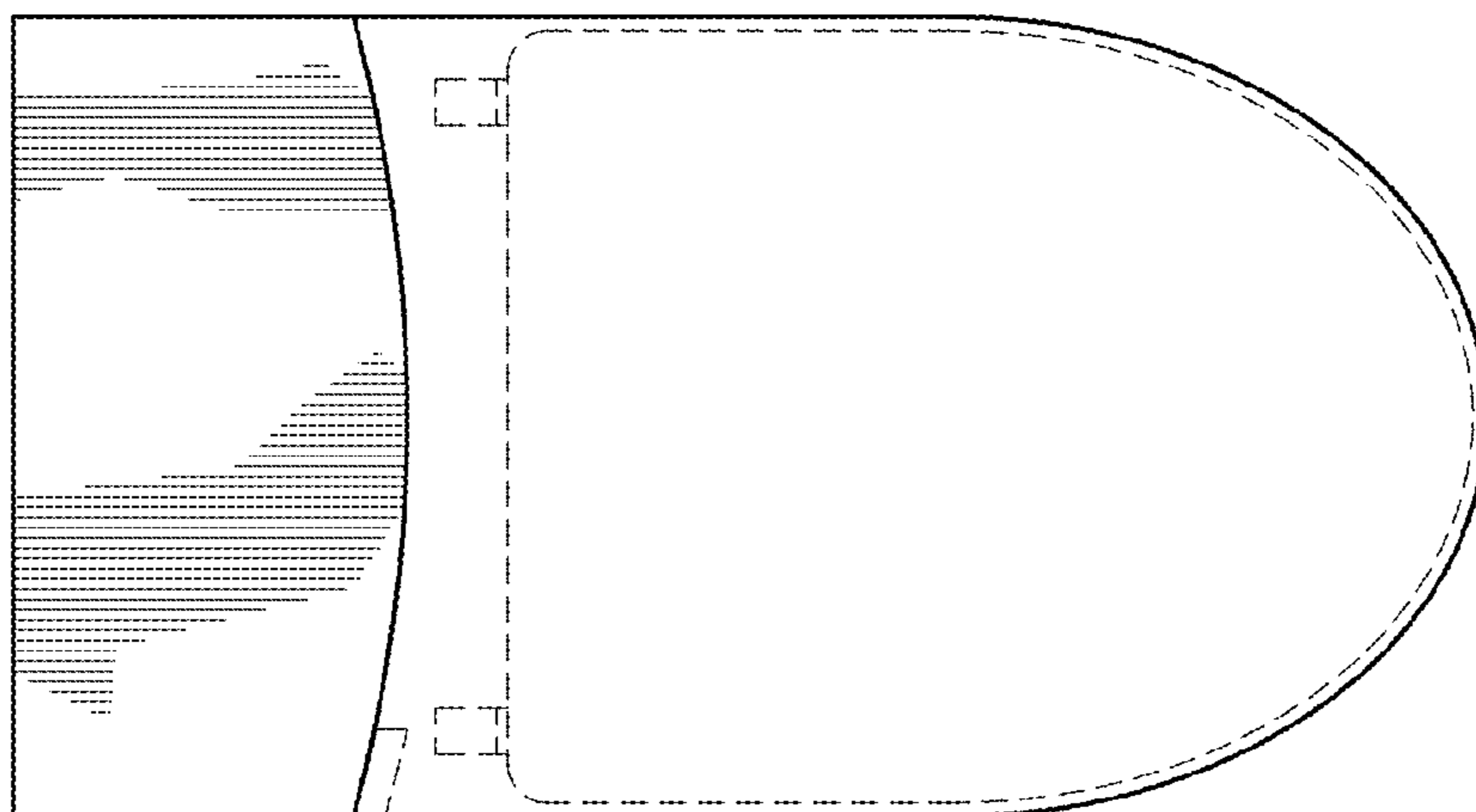


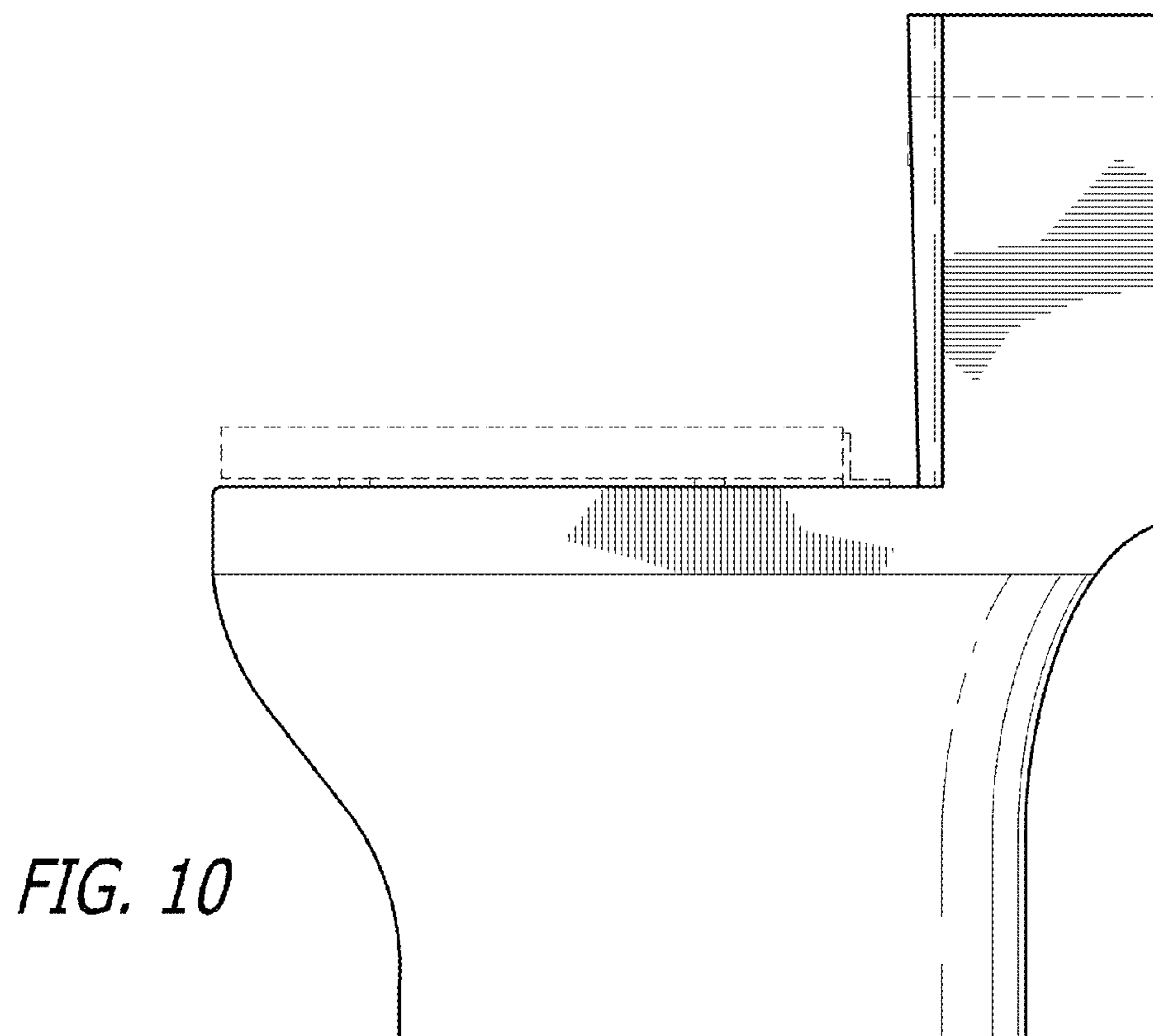
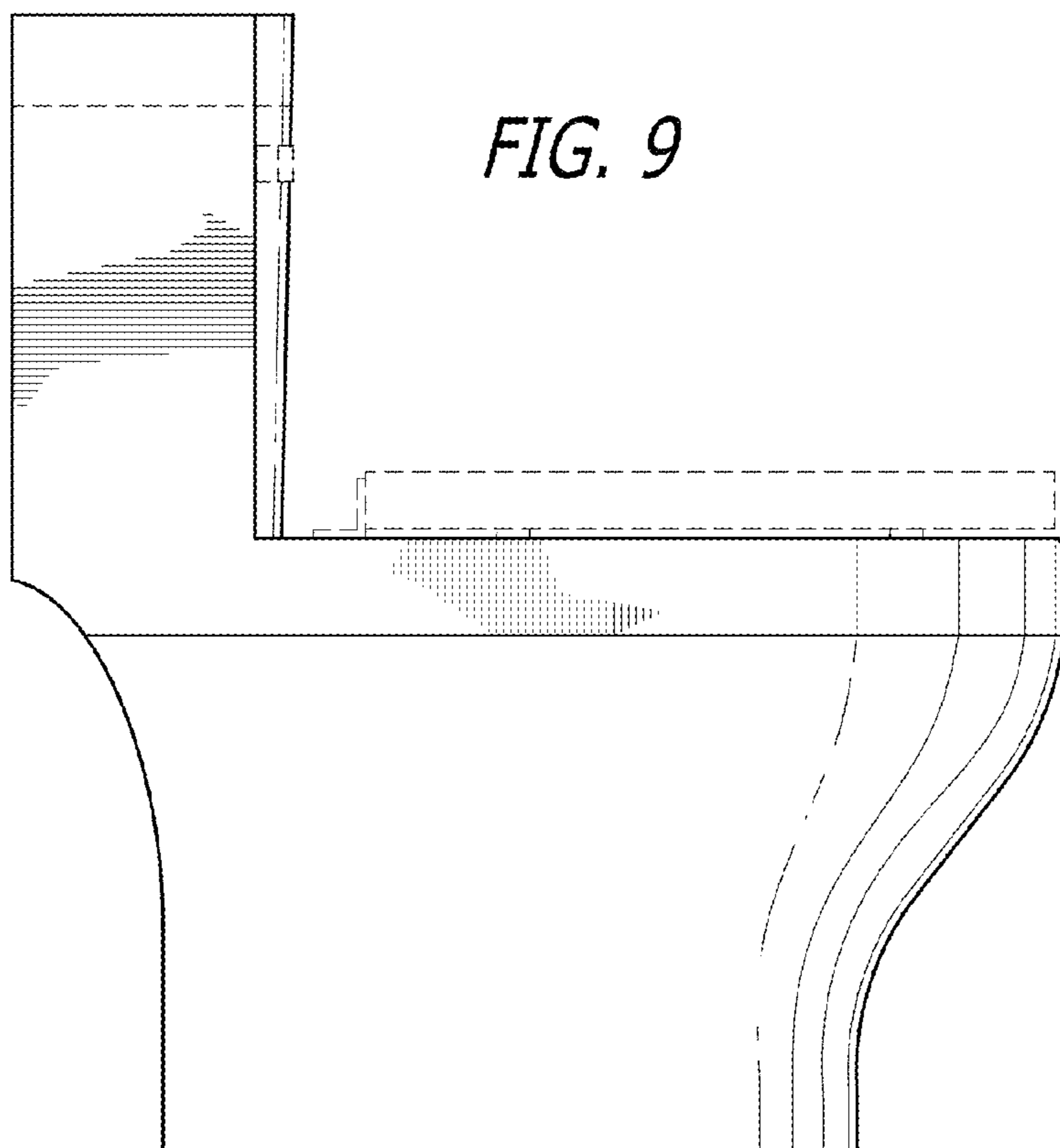
*FIG. 6*



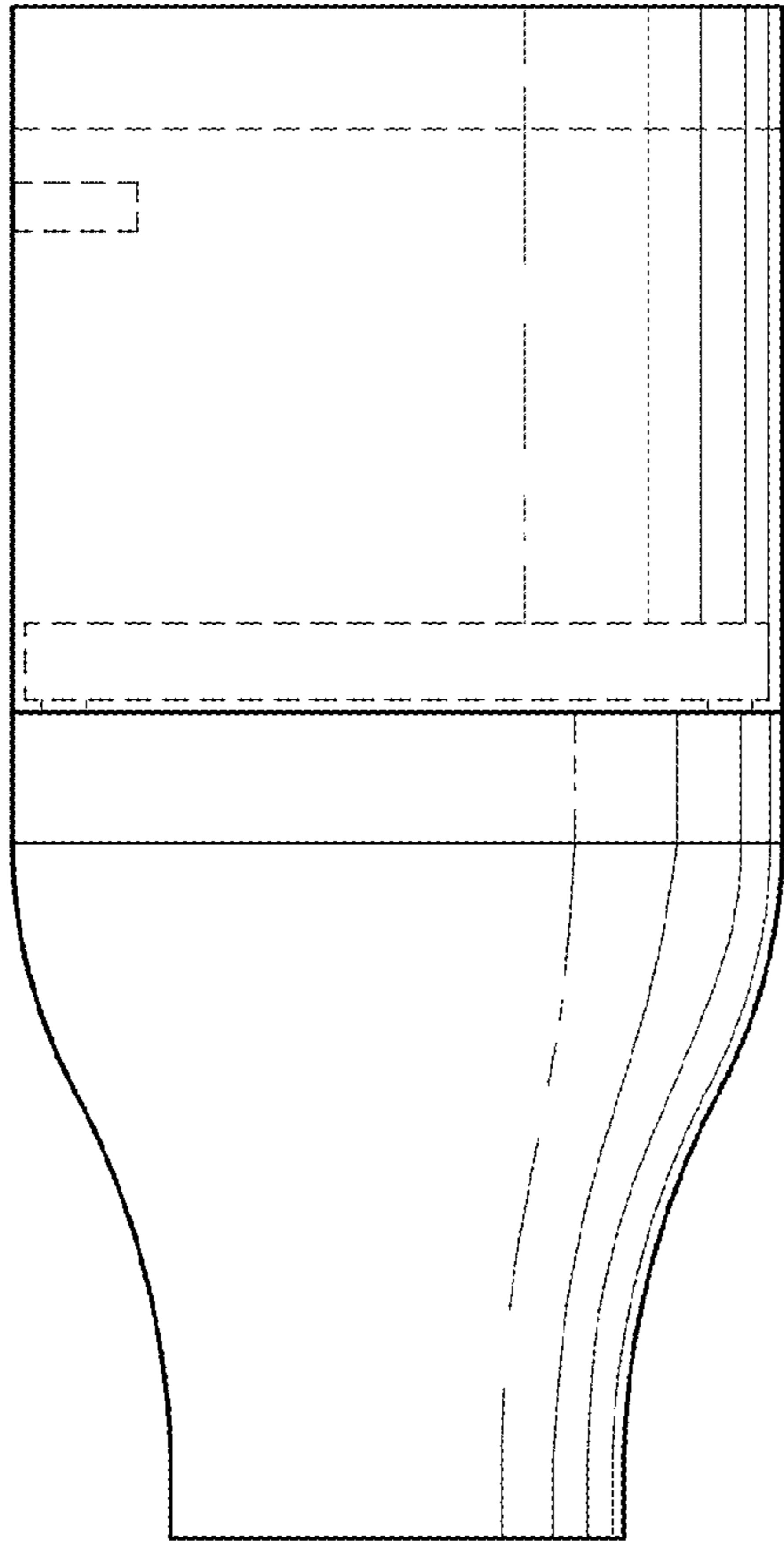
*FIG. 7*

*FIG. 8*

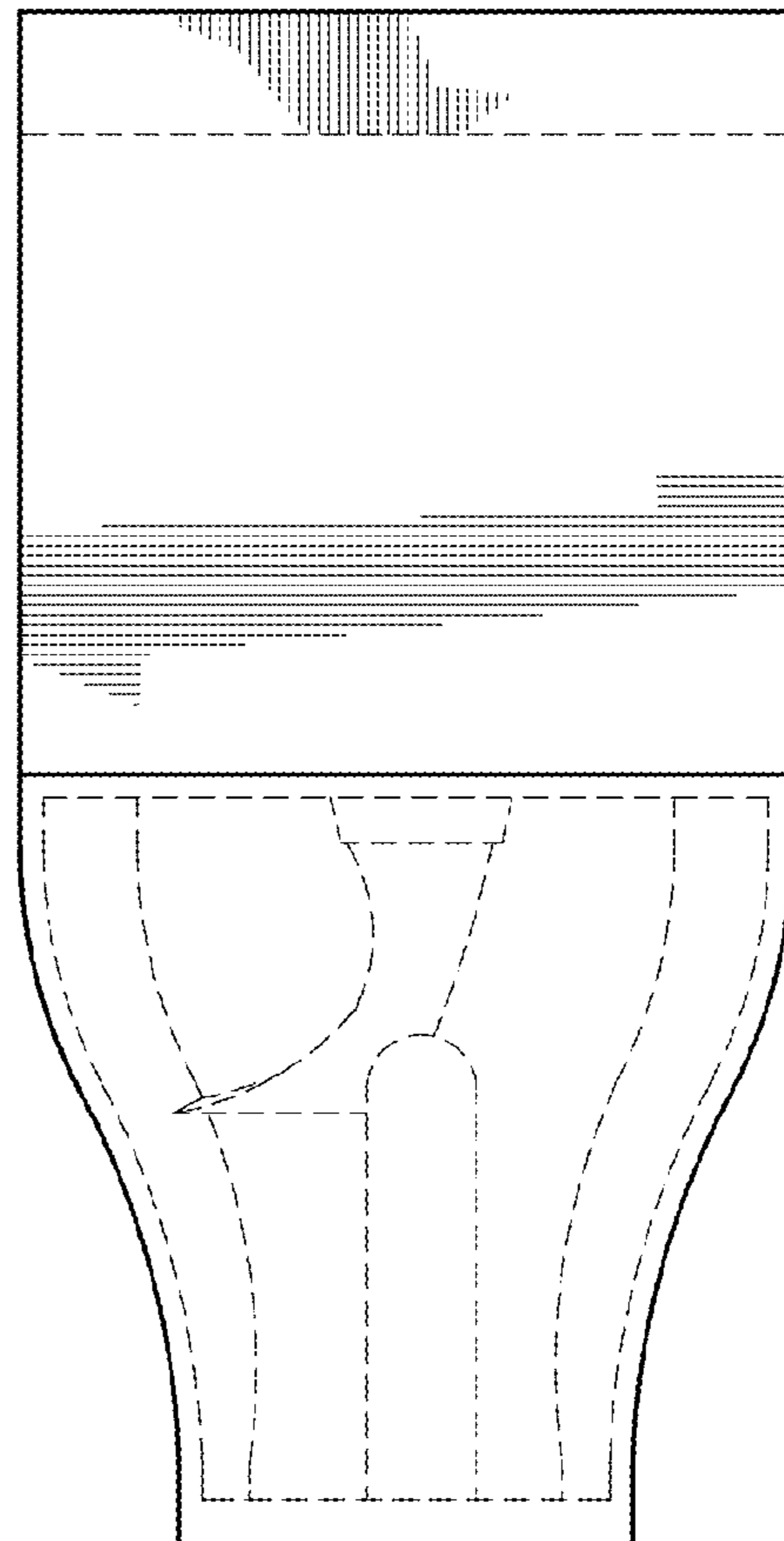








*FIG. 11*



*FIG. 12*