

US00D764032S

(12) **United States Design Patent**  
**Schmitt**

(10) **Patent No.:** **US D764,032 S**  
(45) **Date of Patent:** **\*\* Aug. 16, 2016**

(54) **PORTABLE SANITARY DEVICE**

(71) Applicant: **JUST ENCASE PRODUCTS, INC.**,  
Excelsior, MN (US)

(72) Inventor: **Robert Jack Schmitt**, Excelsior, MN  
(US)

(73) Assignee: **JUST ENCASE PRODUCTS, INC.**,  
Excelsior, MN (US)

(\*\*) Term: **14 Years**

(21) Appl. No.: **29/520,693**

(22) Filed: **Mar. 17, 2015**

(51) **LOC (10) Cl.** ..... **23-02**

(52) **U.S. Cl.**  
USPC ..... **D23/299**

(58) **Field of Classification Search**  
USPC ..... D23/299, 295, 296, 303, 309, 311  
CPC ..... A47K 11/00; A47K 11/02; A47K 11/03;  
A47K 11/035; A47K 11/06  
See application file for complete search history.

(56) **References Cited**

**U.S. PATENT DOCUMENTS**

- D454,624 S \* 3/2002 Yeung ..... D23/296
- 6,385,790 B1 \* 5/2002 Abraham et al. .... A47K 11/02  
4/479
- 6,684,418 B2 \* 2/2004 Choi ..... A47K 11/06  
4/314
- D646,365 S \* 10/2011 Parekh ..... D23/290

D707,803 S \* 6/2014 Linen et al. .... D23/299

\* cited by examiner

*Primary Examiner* — Robert Delehanty

(74) *Attorney, Agent, or Firm* — Dorsey & Whitney, LLP;  
Nathaniel P. Longley

(57) **CLAIM**

The ornamental design for a portable sanitary device, as shown and described.

**DESCRIPTION**

FIG. 1 is an isometric view of the portable sanitary device, showing the top, front and right side.

FIG. 2 is a front view of the portable sanitary device in FIG. 1.

FIG. 3 is a rear view of the portable sanitary device in FIG. 1.

FIG. 4 is a top view of the portable sanitary device in FIG. 1.

FIG. 5 is a bottom view of the portable sanitary device in FIG. 1.

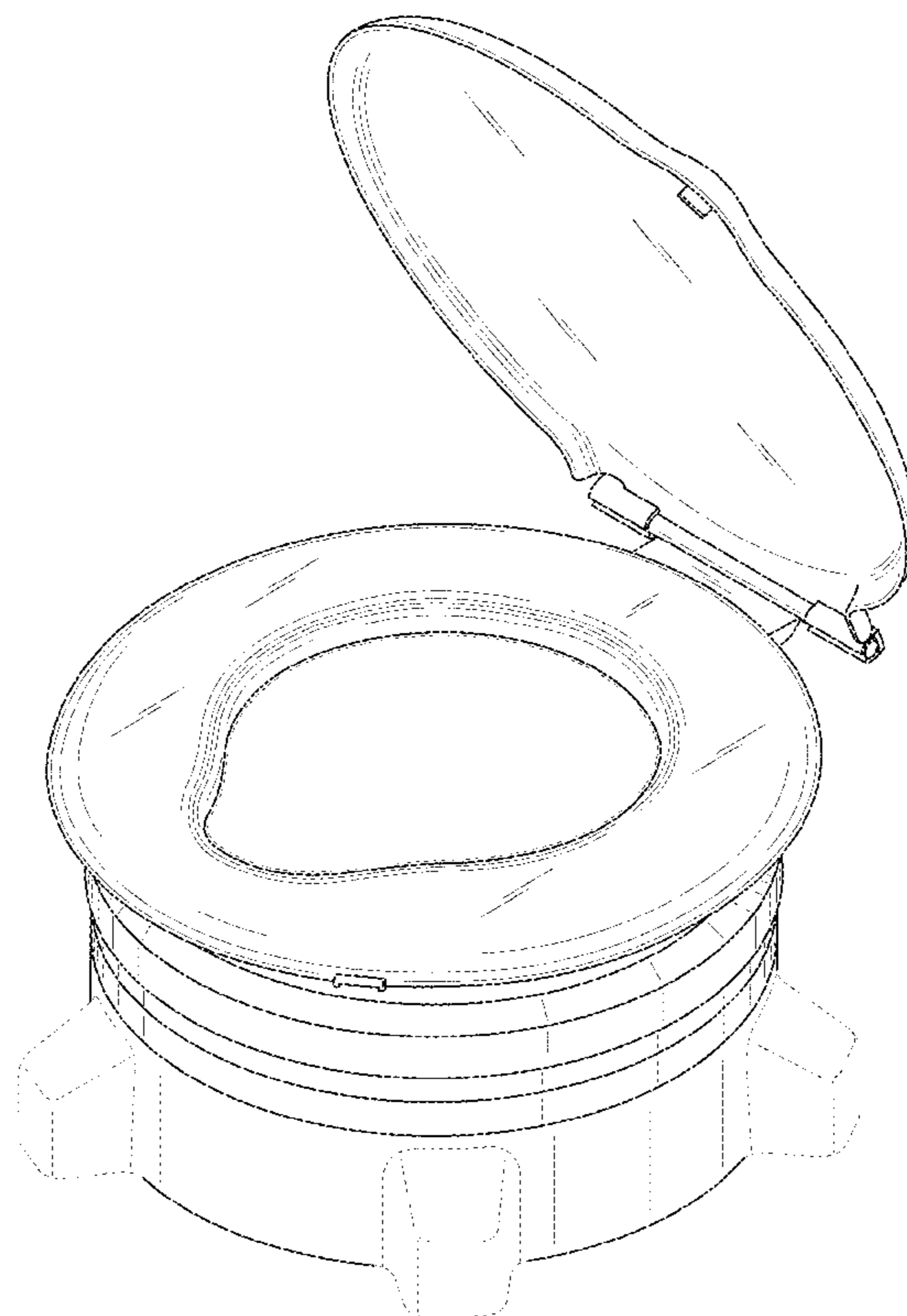
FIG. 6 is a right side view of the portable sanitary device in FIG. 1.

FIG. 7 is a left side view of the portable sanitary device in FIG. 1; and,

FIG. 8 is an alternate isometric view of the portable sanitary device in FIG. 1, showing the lid in an open position.

Any broken lines in the drawings show environmental structure and define boundaries of the design, forming no part of the design to be patented.

**1 Claim, 8 Drawing Sheets**



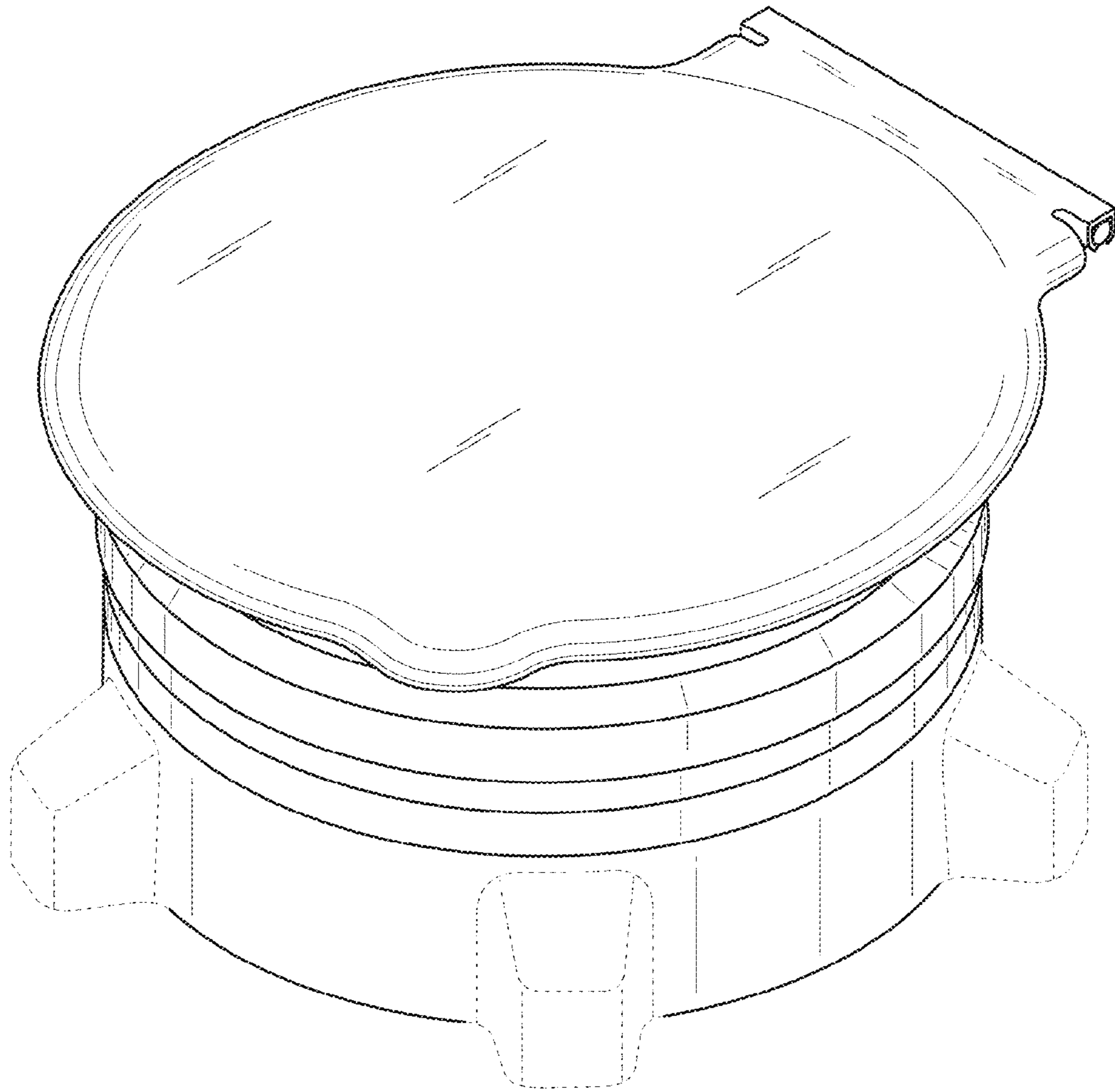


Fig. 1

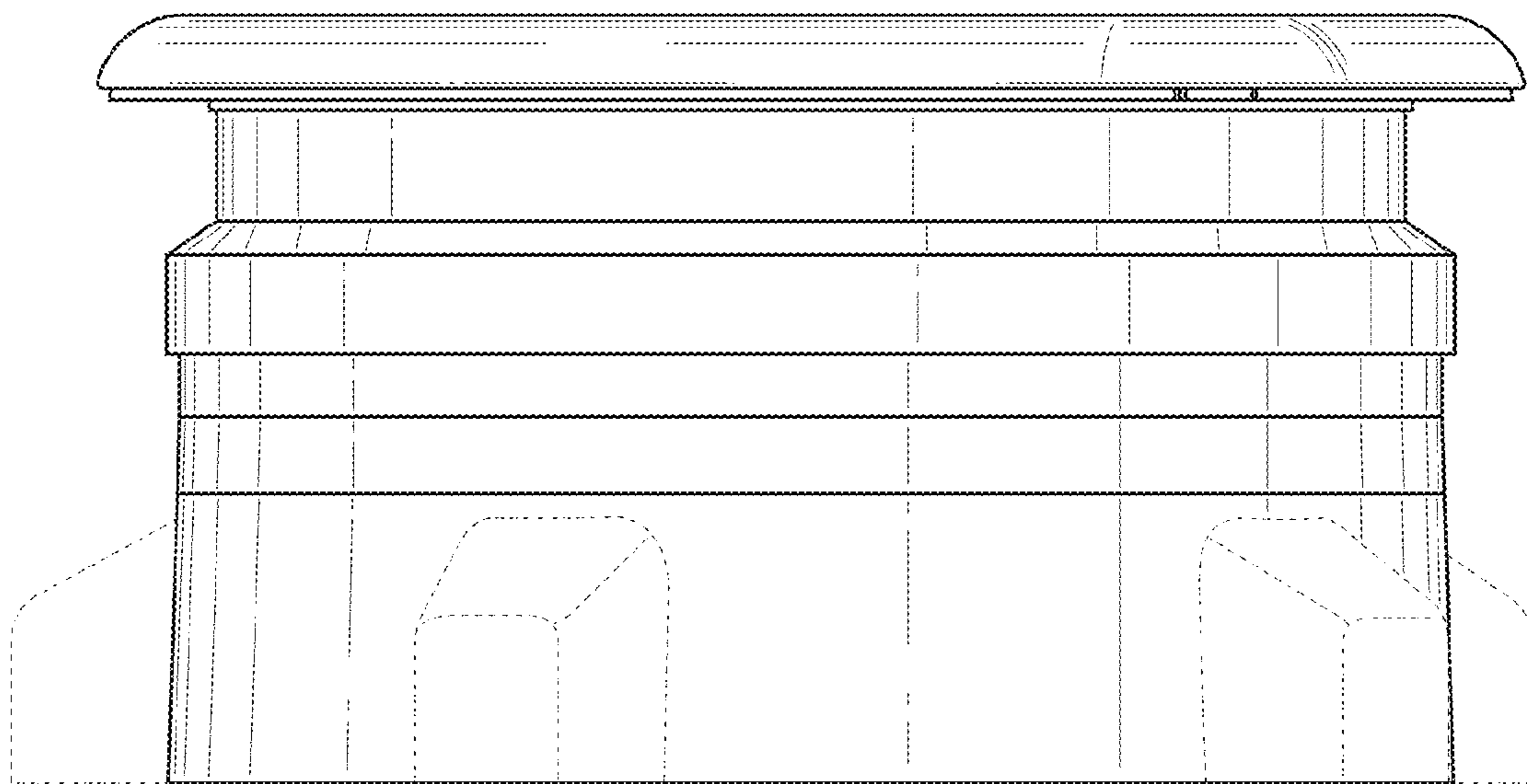


Fig. 2

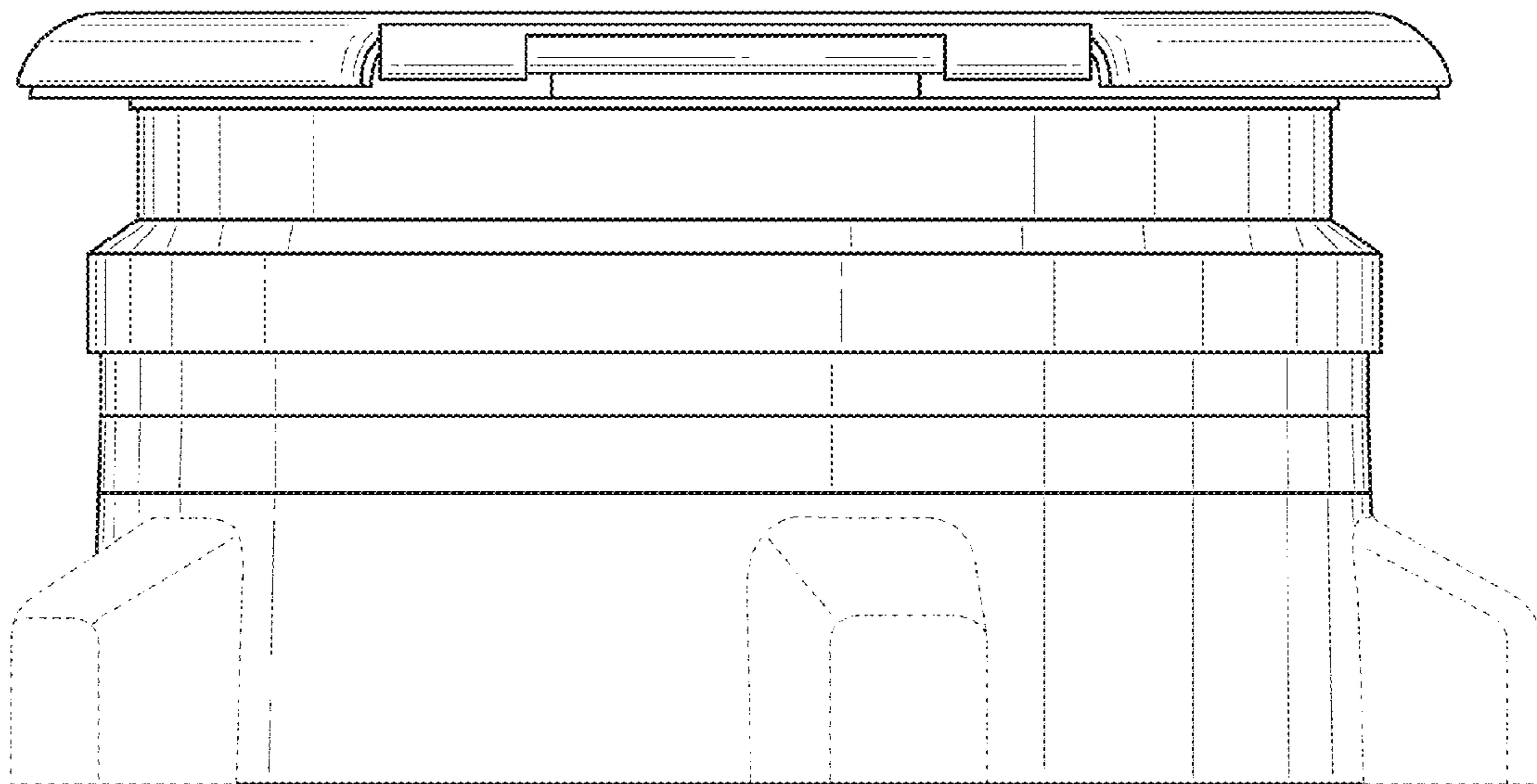


Fig. 3

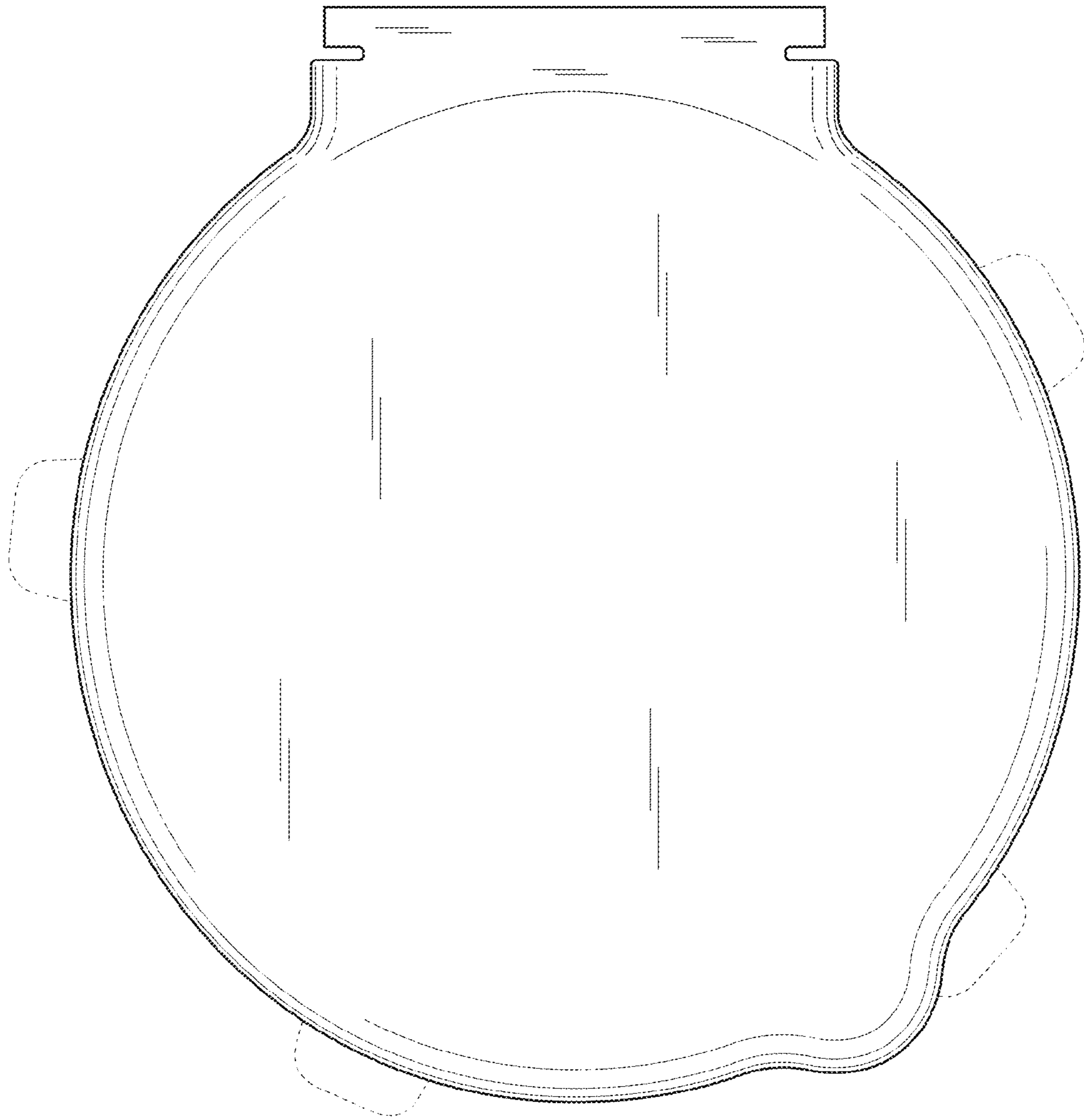


Fig. 4

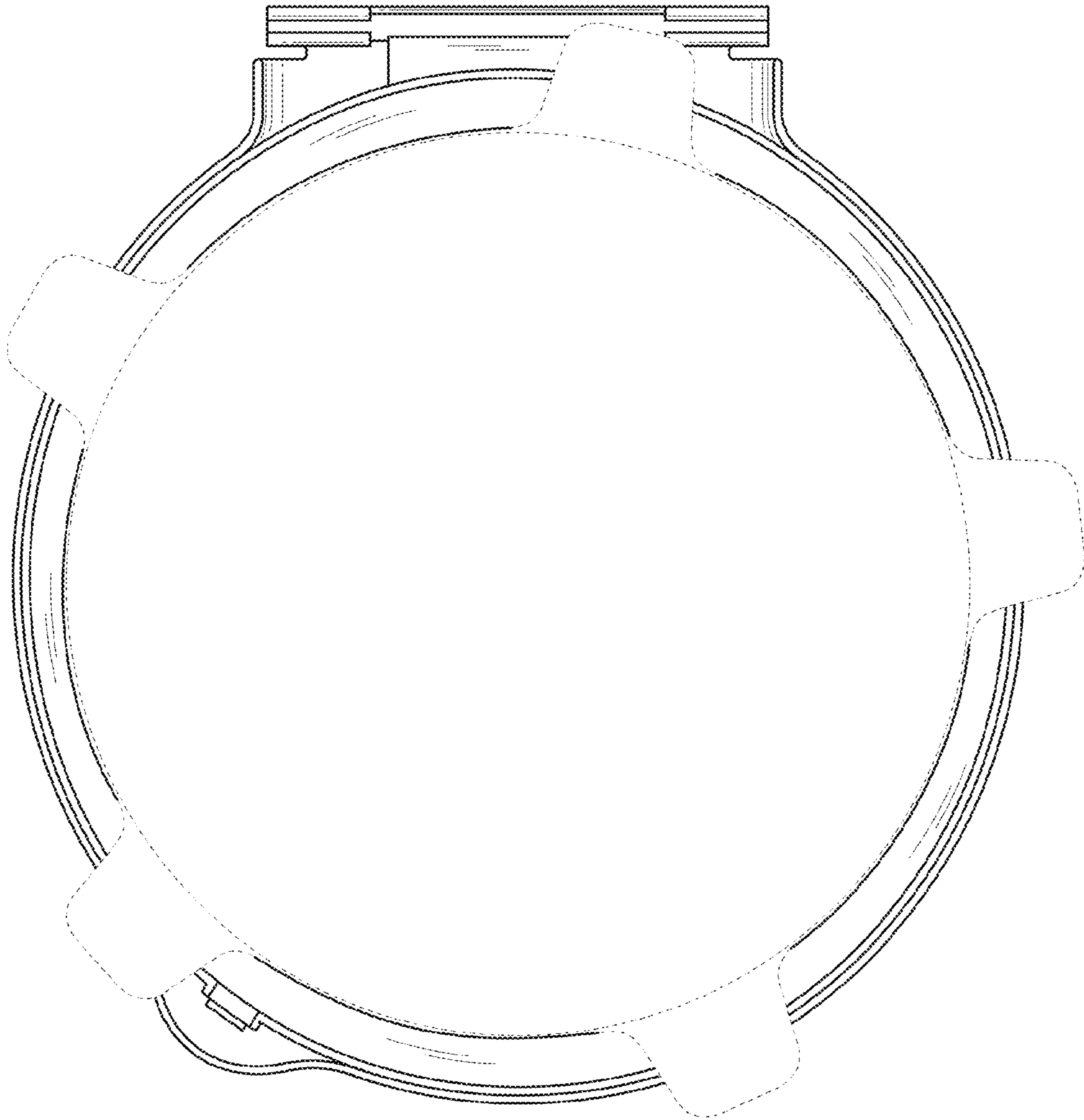


Fig. 5

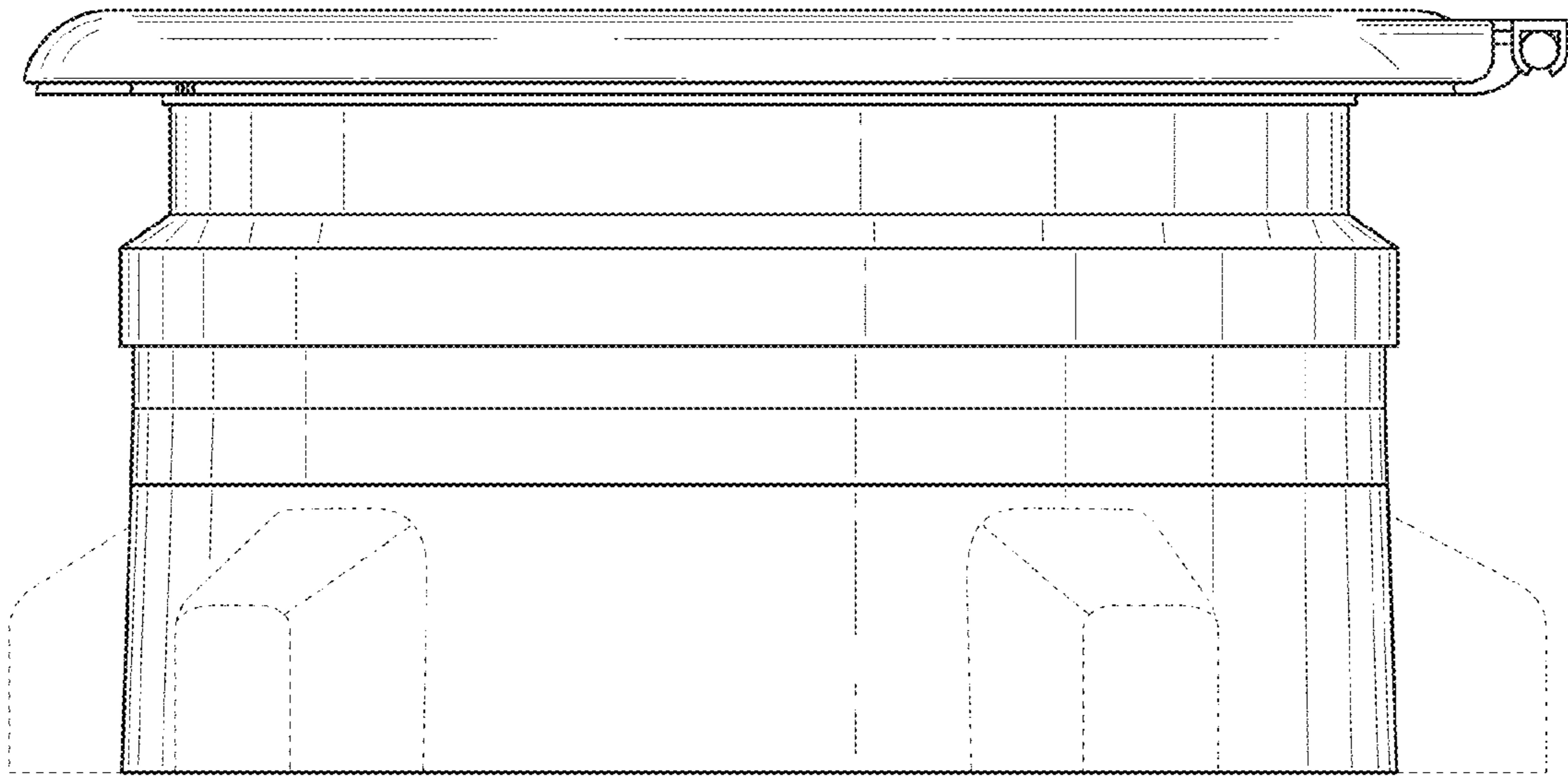


Fig. 6

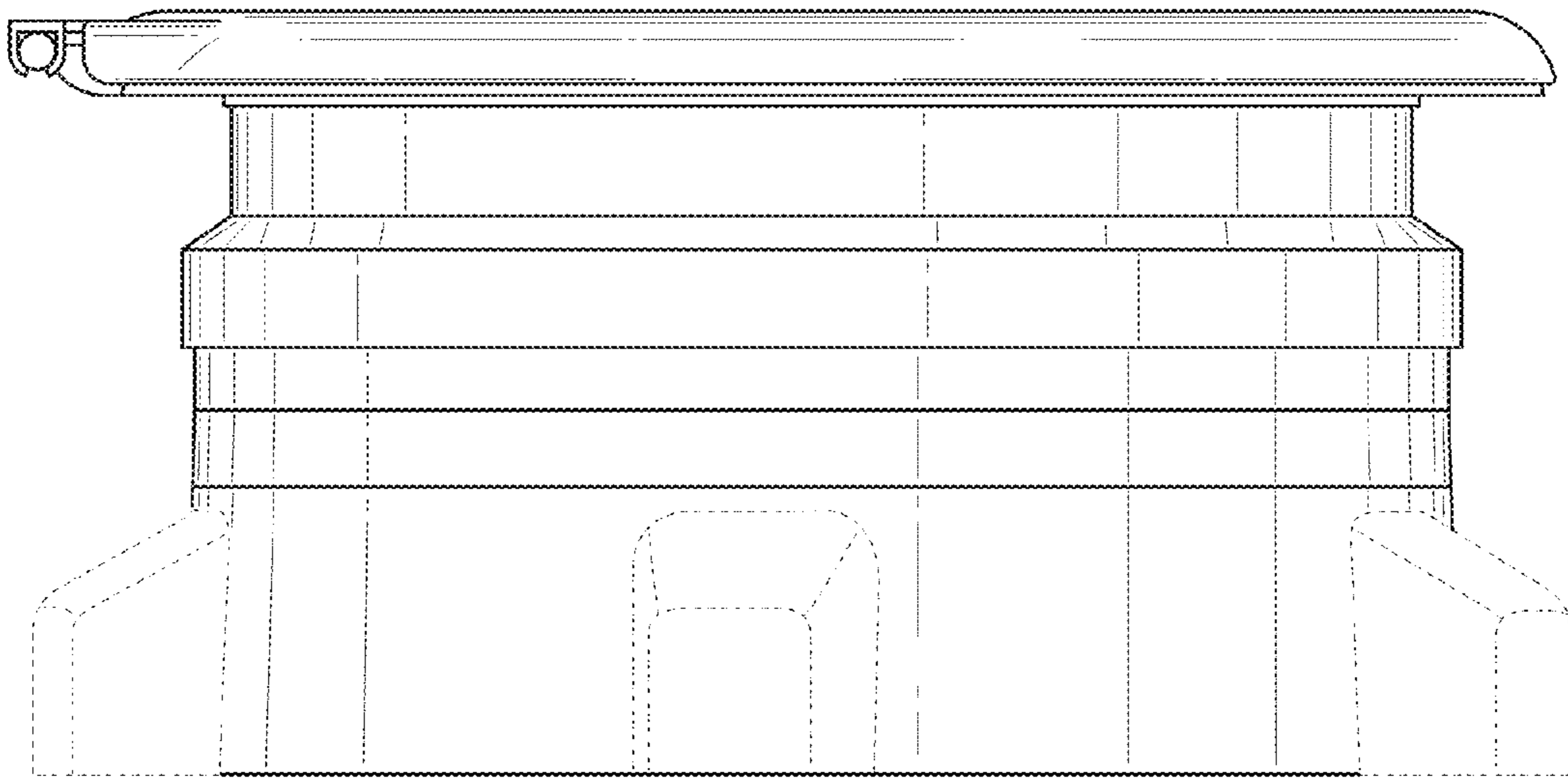


Fig. 7



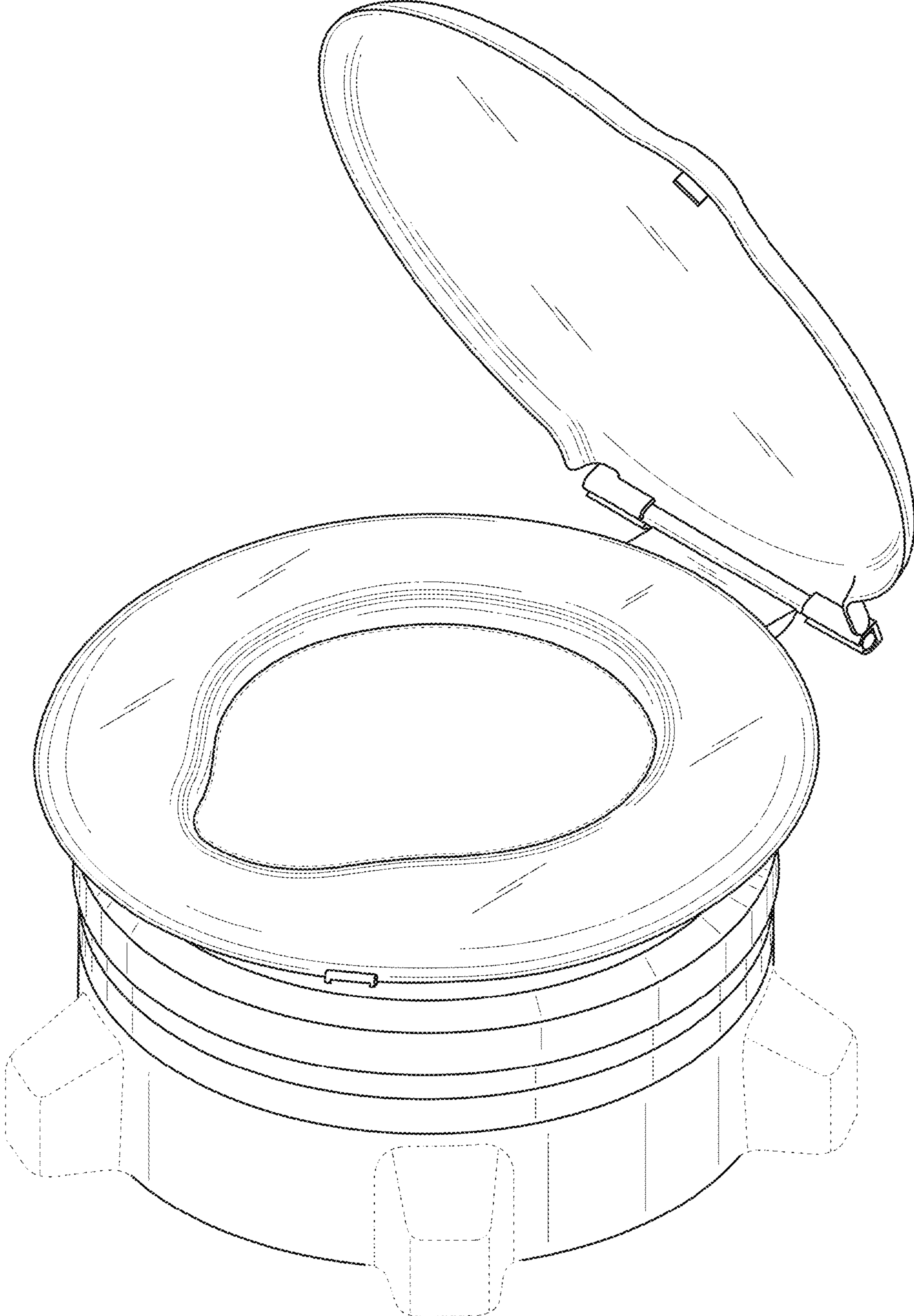


Fig. 8