

US00D764030S

(12) **United States Design Patent**
Darling et al.

(10) **Patent No.:** **US D764,030 S**

(45) **Date of Patent:** **** Aug. 16, 2016**

- (54) **TRIANGULAR SHAPED PREFORM**
- (71) Applicant: **Lucas-Milhaupt, Inc.**, Cudahy, WI (US)
- (72) Inventors: **Creed Darling**, Franklin, WI (US);
Dean W. Kick, Oak Creek, WI (US);
Alan Belohlav, Belgium, WI (US); **Curt Rutter**, Sylvania, OH (US)
- (73) Assignee: **Lucas-Milhaupt, Inc.**, Cudahy, WI (US)
- (**) Term: **14 Years**
- (21) Appl. No.: **29/513,685**
- (22) Filed: **Jan. 5, 2015**

(56) **References Cited**

U.S. PATENT DOCUMENTS

800,055 A *	9/1905	Ayres	F24F 13/0209 138/163
1,629,748 A *	5/1927	Stoody	B23K 35/406 219/145.22
1,650,905 A *	11/1927	Mills	B23K 35/0261 219/145.22
1,891,546 A *	12/1932	Krembs	B23K 35/0227 148/24
2,025,206 A *	12/1935	Holslag	B23K 3/0261 219/145.1
2,074,712 A *	3/1937	Tross	B23K 35/40 29/526.6
2,148,182 A *	2/1939	Applegate	B23K 35/0277 219/137 R
2,410,461 A *	11/1946	Ronay	B23K 7/06 219/145.41

Related U.S. Application Data

- (63) Continuation of application No. 12/602,053, filed as application No. PCT/US2008/064871 on May 27, 2008, now abandoned.
- (51) **LOC (10) Cl.** **23-01**
- (52) **U.S. Cl.**
USPC **D23/269**
- (58) **Field of Classification Search**
USPC D23/206, 249, 259, 260–262, 265–269,
D23/336, 386, 390, 499
CPC F16J 15/32; F16J 15/36; F16J 15/40;
F16J 15/187; F16J 15/3256; F16J 15/3404;
F16H 25/2418; F16L 17/02; F16L 17/035;
F16L 19/005; F16L 23/18; F16L 37/252;
B23K 35/0227; B23K 35/0238; B23K
35/0255; B23K 35/0261; B23K 35/0266;
B23K 35/0272; B23K 35/0277; B23K 35/36;
B23K 35/40; B23K 35/282; B23K 35/286;
B23K 35/308; B23K 35/362; Y10T 42/12736;
Y10T 428/12771

See application file for complete search history.

(Continued)

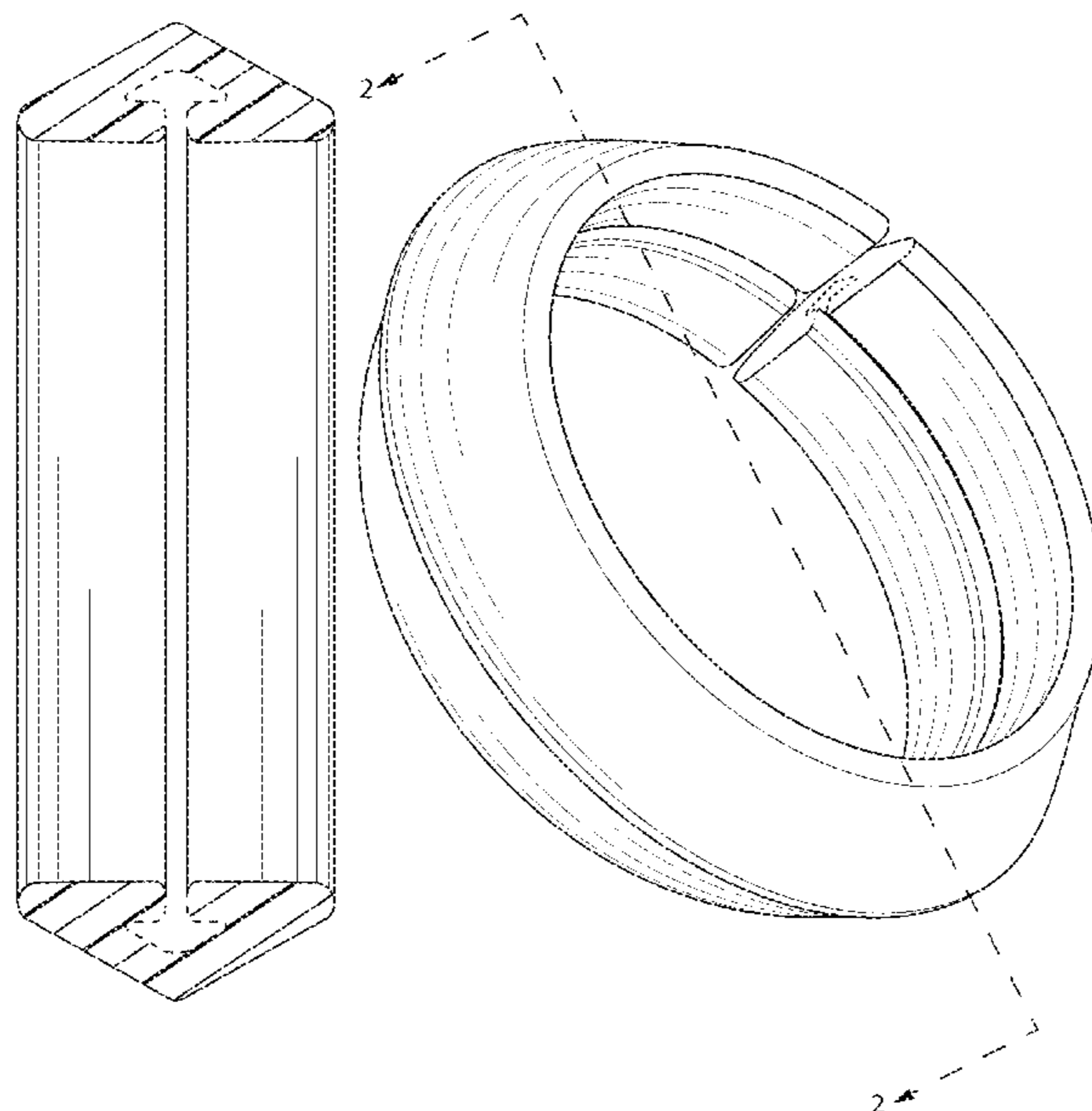
Primary Examiner — Eric Goodman
Assistant Examiner — Amy Wierenga
 (74) *Attorney, Agent, or Firm* — Boyle Fredrickson, S.C.

(57) **CLAIM**
 The ornamental design for a triangular shaped preform, as shown and described.

DESCRIPTION

FIG. 1 is a cross section view of a circular preform with a triangular shaped cross sectional area;
 FIG. 2 is a cross section view taken along lines 2-2 in FIG. 3, of a circular preform with a triangular shaped cross sectional area, shown in use; and,
 FIG. 3 is a perspective view of the circular preform with a triangular shaped cross sectional area according to FIGS. 1 and 2.
 The broken lines shown in the drawings depict portions of the article that form no part of the claimed design.

1 Claim, 3 Drawing Sheets



(56)

References Cited

U.S. PATENT DOCUMENTS

D204,889 S *	5/1966	Gingher	D25/121	D518,186 S *	3/2006	Zarb	D25/119
3,515,846 A *	6/1970	Nakamura	B23K 35/0272	7,858,204 B2 *	12/2010	Campbell	B23K 35/40
				219/123					428/358
3,596,053 A *	7/1971	Kameda	B23K 35/308	2009/0266798 A1 *	10/2009	Yang	B23K 11/11
				219/136					219/119
3,688,967 A *	9/1972	Arikawa	B23K 9/035	2011/0123824 A1 *	5/2011	Belohlav	B23K 35/0238
				148/23					428/650
4,214,145 A *	7/1980	Zvanut	B23K 35/0266	2012/0207643 A1 *	8/2012	Belohlav	B23K 35/0227
				219/137 WM					420/481
4,267,428 A *	5/1981	Kennedy	B23K 35/0277	2013/0087532 A1 *	4/2013	Gentry	H02K 15/0081
				219/137 R					219/85.22
D311,979 S *	11/1990	Wentzel	D23/266	2015/0030874 A1 *	1/2015	Wolfgram	B23K 35/02
D355,263 S *	2/1995	Dalegård	D23/266					428/615
6,203,628 B1 *	3/2001	Katoh	B23K 35/025	2015/0204468 A1 *	7/2015	Jones	F16L 17/035
				148/23					285/110

* cited by examiner

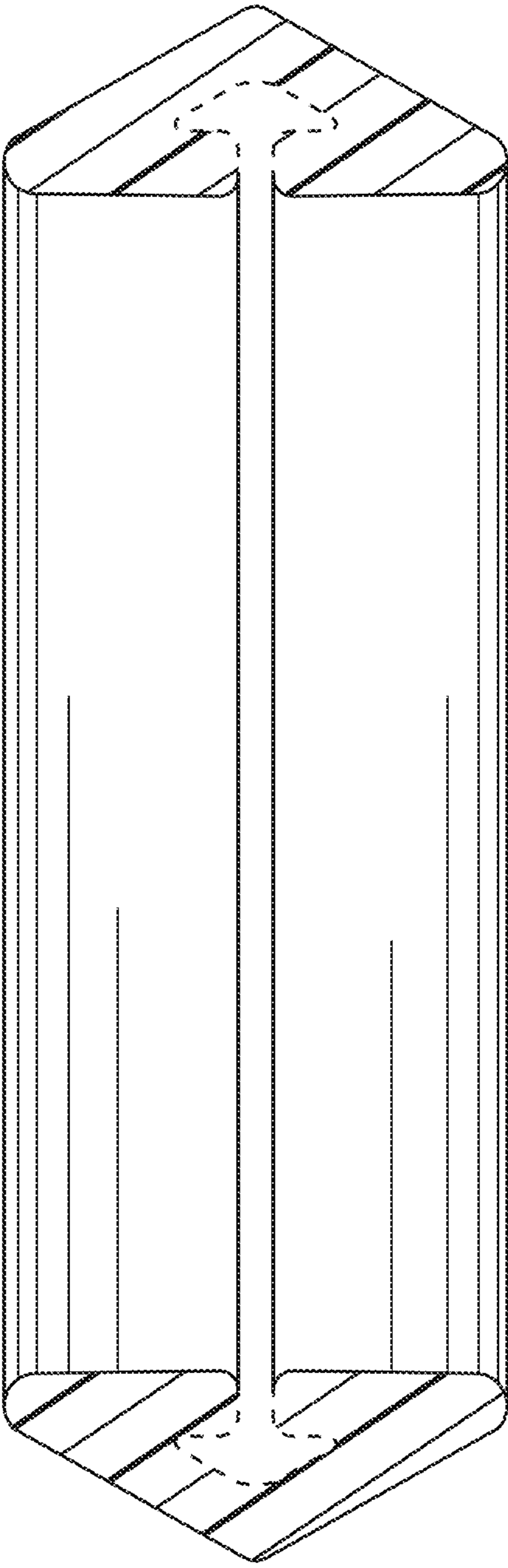


FIG. 1

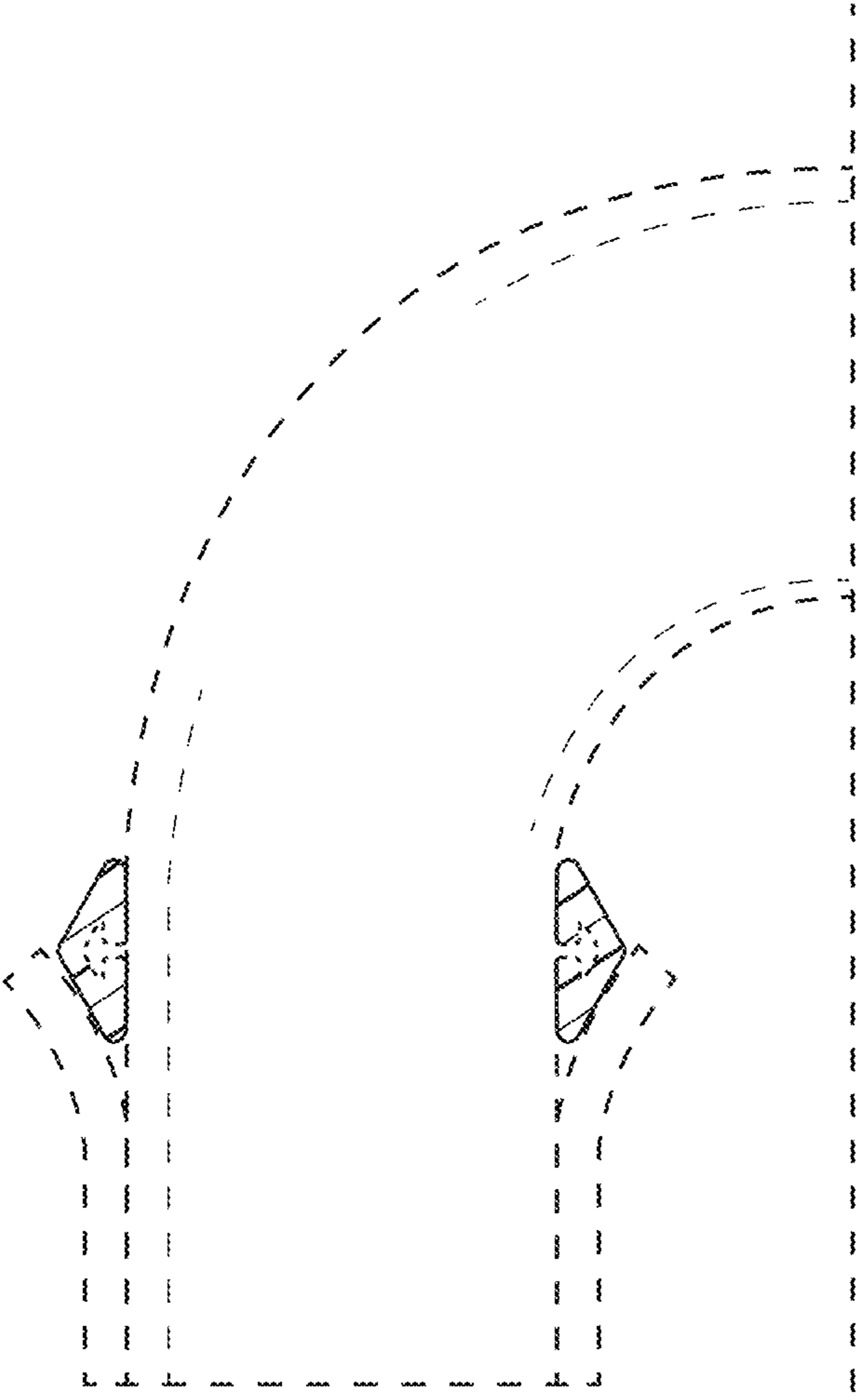
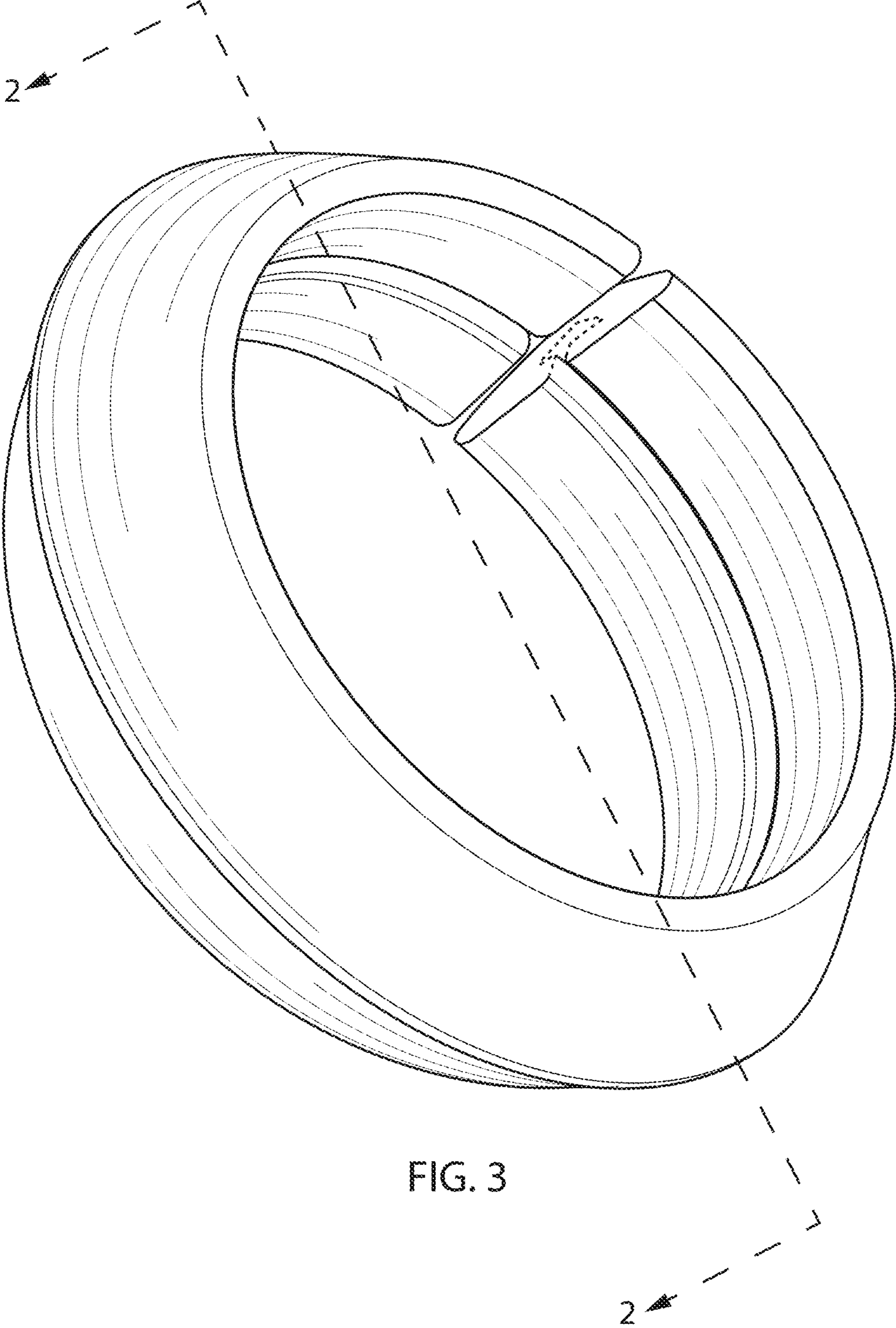


FIG. 2



UNITED STATES PATENT AND TRADEMARK OFFICE
CERTIFICATE OF CORRECTION

PATENT NO. : D764,030 S
APPLICATION NO. : 29/513685
DATED : August 16, 2016
INVENTOR(S) : Darling et al.

Page 1 of 1

It is certified that error appears in the above-identified patent and that said Letters Patent is hereby corrected as shown below:

In item (63) of the title page replace “Continuation of application No. 12/602,053, filed as application No. PCT/US2008/064871 on May 27, 2008, now abandoned” with “Continuation of U.S. Serial No. 12/602,052, filed on January 5, 2011, which is a U.S. national stage application of international application PCT/US2008/064871, filed May 27, 2008, which claims the benefit of U.S. Provisional Patent Application 60/940,169, filed May 25, 2007.”

Signed and Sealed this
First Day of November, 2016



Michelle K. Lee
Director of the United States Patent and Trademark Office