



US00D764029S

(12) **United States Design Patent**  
**Yovanovich et al.**

(10) **Patent No.:** **US D764,029 S**  
(45) **Date of Patent:** **\*\* Aug. 16, 2016**

(54) **PIPE FITTING SEGMENT**

(71) Applicant: **Victaulic Company**, Easton, PA (US)  
(72) Inventors: **Kathryn E. Yovanovich**, Bethlehem, PA (US); **Matthew A. Bowman**, Palmer, PA (US); **Christopher A. Richards**, Easton, PA (US)  
(73) Assignee: **Victaulic Company**, Easton, PA (US)

(\*\*) Term: **14 Years**

(21) Appl. No.: **29/525,825**

(22) Filed: **May 4, 2015**

(51) **LOC (10) Cl.** ..... **23-01**

(52) **U.S. Cl.**  
USPC ..... **D23/259**

(58) **Field of Classification Search**  
USPC ..... D23/259-263, 264-265, 266, 269  
CPC ..... F16L 17/025; F16L 17/035; F16L 17/04;  
F16L 19/086; F16L 23/18; F16L 27/06;  
F16L 37/091; F16L 41/021; F16L 55/172;  
F16J 15/2418; F16J 15/3256; F16J 15/3404;  
F16J 15/187; F16J 15/36  
See application file for complete search history.

(56) **References Cited**

**U.S. PATENT DOCUMENTS**

1,020,123 A	3/1912	Brampton et al.
1,203,989 A	11/1916	Dehn
1,287,108 A	12/1918	Robinson et al.
1,379,811 A	5/1921	Fyffe
1,770,271 A	7/1930	Hoppes
1,999,045 A	4/1935	Goetz
2,128,720 A	8/1938	Tweeddale
2,412,394 A	12/1946	Giles
3,148,896 A	9/1964	Chu
3,517,701 A	6/1970	Smith
3,596,935 A	8/1971	McGeoch, Sr.
3,633,943 A	1/1972	Ramm et al.

3,825,286 A	7/1974	Henry, III
3,944,260 A	3/1976	Petroczky
4,018,979 A	4/1977	Young
4,461,498 A	7/1984	Kunsmann
4,633,913 A	1/1987	Carty et al.
4,792,160 A	12/1988	Hwang
5,022,685 A	6/1991	Stiskin et al.
5,452,922 A	9/1995	Ziu
5,786,054 A	7/1998	Platusich et al.
6,450,551 B1	9/2002	Lee

(Continued)

**FOREIGN PATENT DOCUMENTS**

KR	100315861	11/2001
KR	1020090007813	1/2009

(Continued)

*Primary Examiner* — Eric Goodman  
*Assistant Examiner* — Amy Wierenga  
(74) *Attorney, Agent, or Firm* — Ballard Spahr LLP

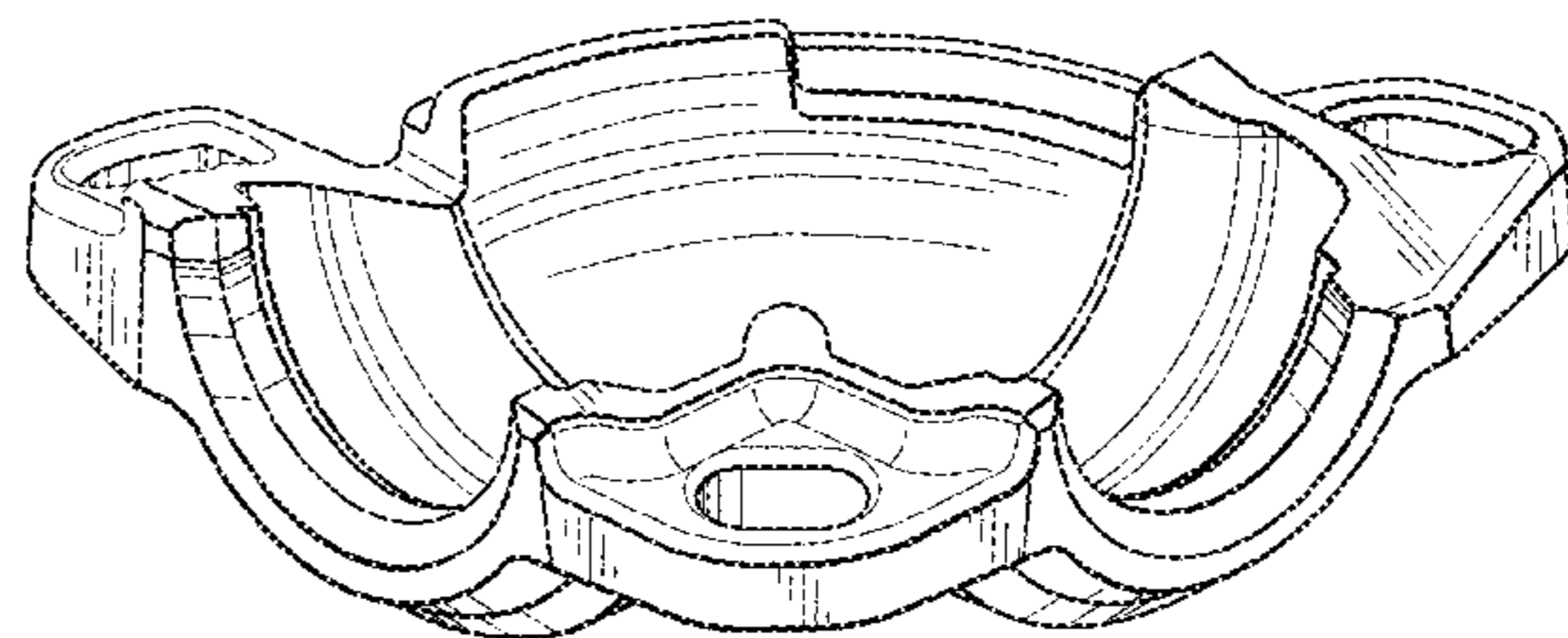
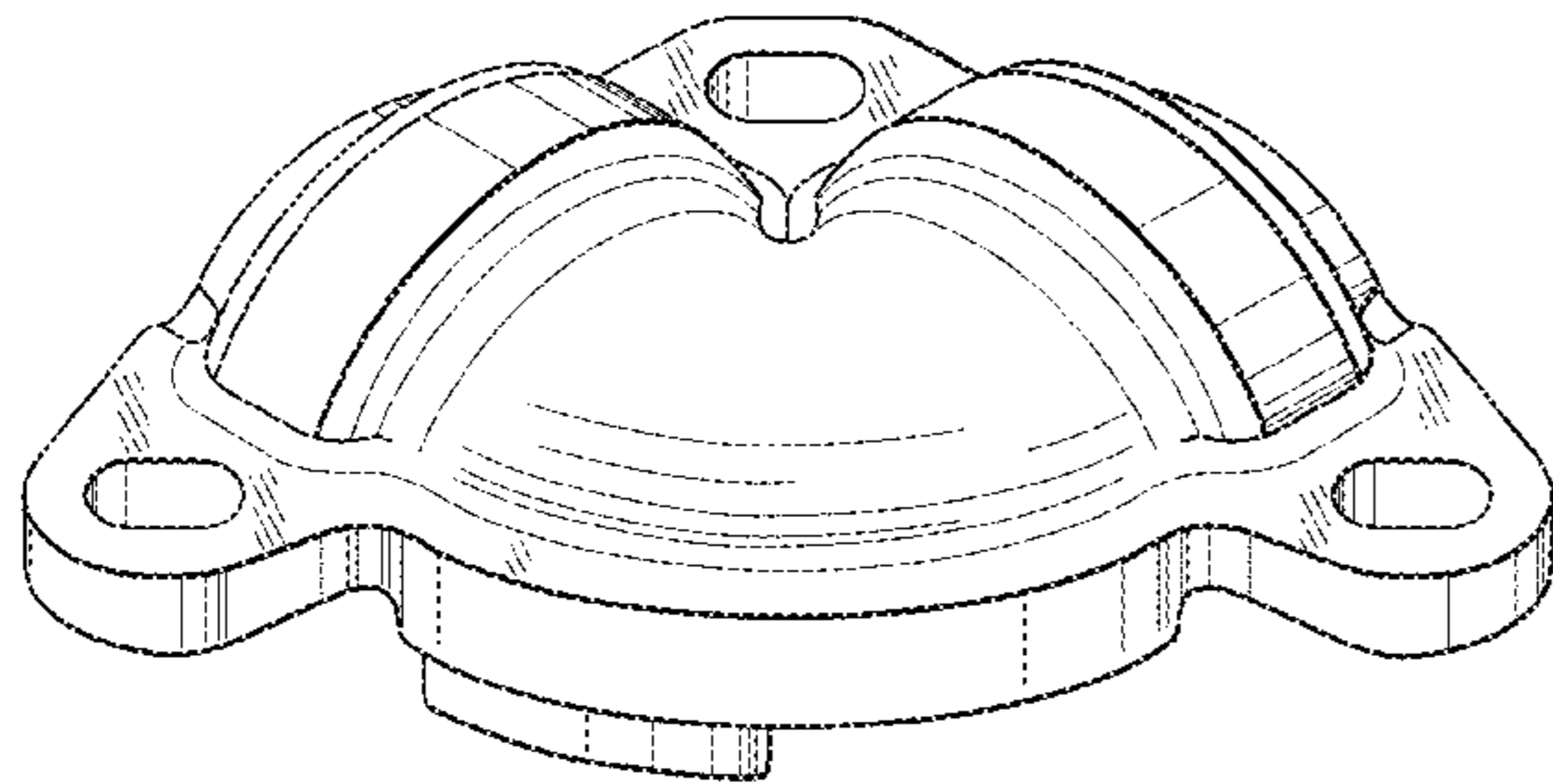
(57) **CLAIM**

We claim the ornamental design for a pipe fitting segment, as shown and described.

**DESCRIPTION**

FIG. 1 is an outer surface isometric rear view of our design for a pipe fitting segment;  
FIG. 2 is an inner surface isometric frontal view of the pipe fitting segment shown in FIG. 1;  
FIG. 3 is a top view showing the outer surface of the pipe fitting segment shown in FIG. 1;  
FIG. 4 is a bottom view showing the inner surface of the pipe fitting segment shown in FIG. 1;  
FIG. 5 is a rear view of the pipe fitting segment shown in FIG. 1;  
FIG. 6 is a frontal right side view of the pipe fitting segment shown in FIG. 1; and,  
FIG. 7 is a frontal left side view of the pipe fitting segment shown in FIG. 1.

**1 Claim, 4 Drawing Sheets**



(56)

**References Cited**

U.S. PATENT DOCUMENTS

7,070,209 B2 7/2006 Collins  
 D583,444 S \* 12/2008 Nagle ..... D23/262  
 D590,923 S \* 4/2009 Nagle ..... D23/262  
 D590,924 S \* 4/2009 Nagle ..... D23/262  
 D590,925 S \* 4/2009 Nagle ..... D23/262  
 D600,325 S \* 9/2009 Porter ..... D23/262  
 D600,326 S \* 9/2009 Gibb ..... D23/265  
 7,798,535 B2 9/2010 Calhoun  
 D680,629 S \* 4/2013 Beagen, Jr. .... D23/262  
 D680,630 S \* 4/2013 Beagen, Jr. .... D23/262  
 8,820,795 B2 \* 9/2014 Dole ..... F16L 17/04  
 285/133.21  
 D740,921 S \* 10/2015 Kuehner ..... D23/262

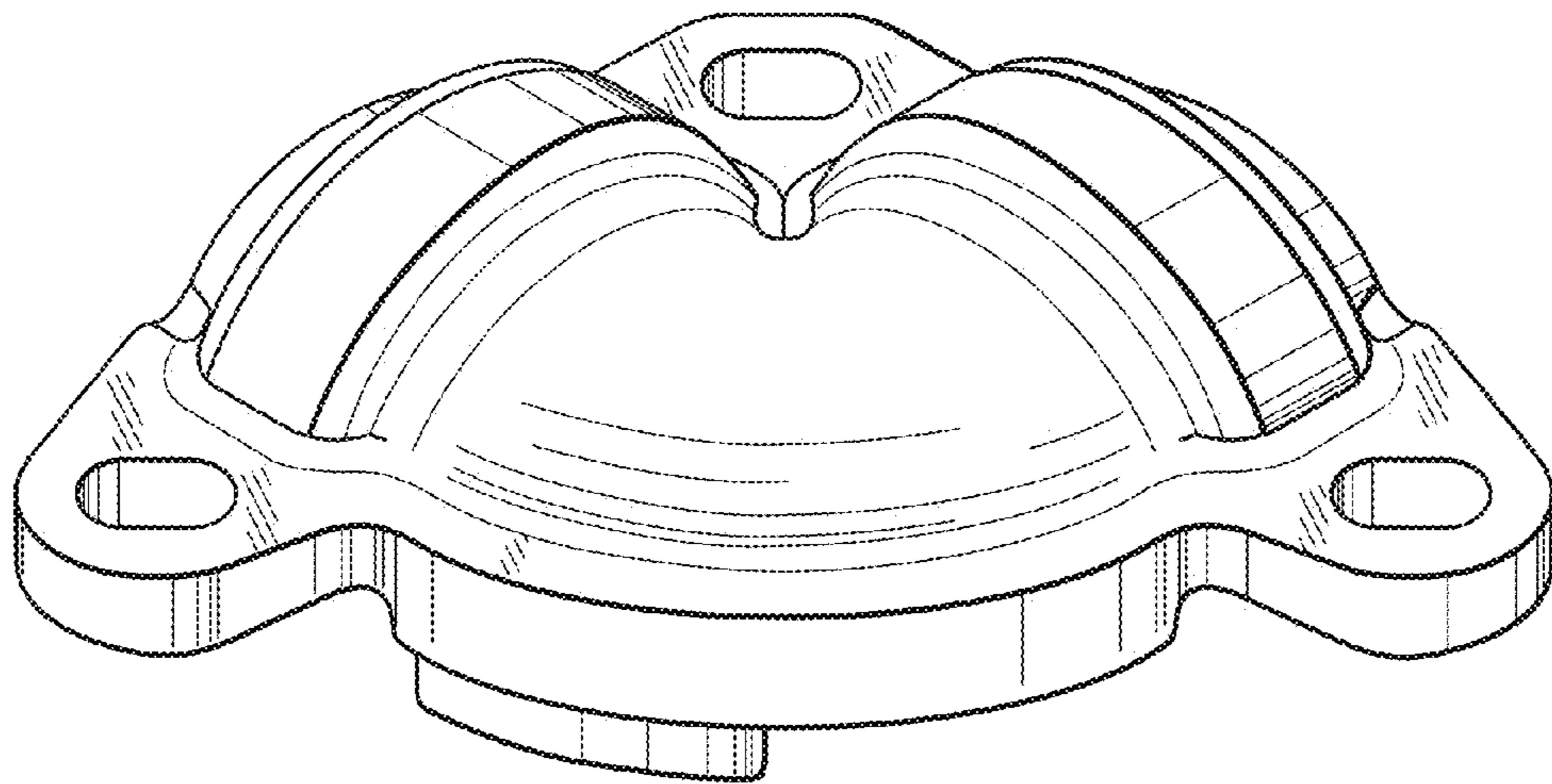
9,182,058 B2 \* 11/2015 Cygler, III ..... F16L 17/04  
 D753,272 S \* 4/2016 Marsicano ..... D23/262  
 2013/0200609 A1 \* 8/2013 Dole ..... F16L 17/04  
 285/132.1  
 2013/0200610 A1 \* 8/2013 Cygler, III ..... F16L 17/04  
 285/132.1  
 2013/0327415 A1 12/2013 Camp, Jr. et al.  
 2015/0021911 A1 \* 1/2015 Bowman ..... F16L 21/005  
 285/340

FOREIGN PATENT DOCUMENTS

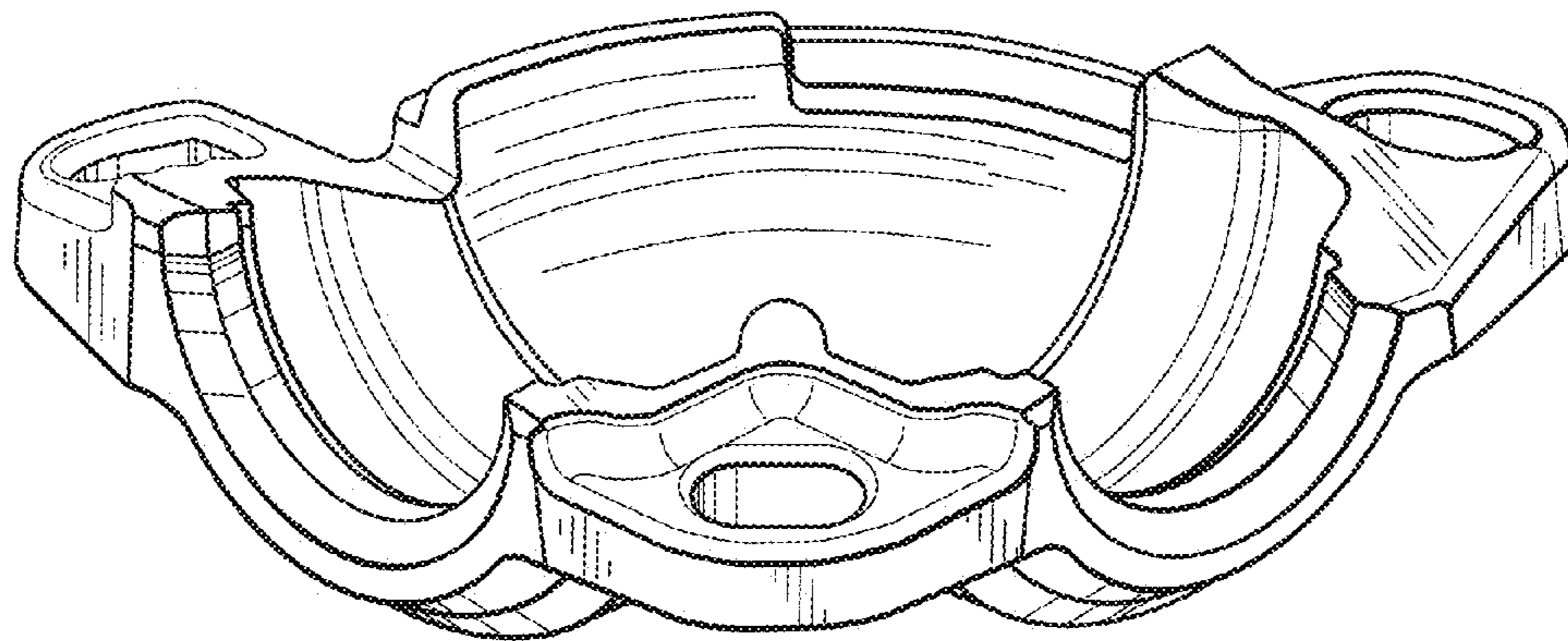
KR 1020090066767 6/2009  
 WO 9703811 2/1997

\* cited by examiner

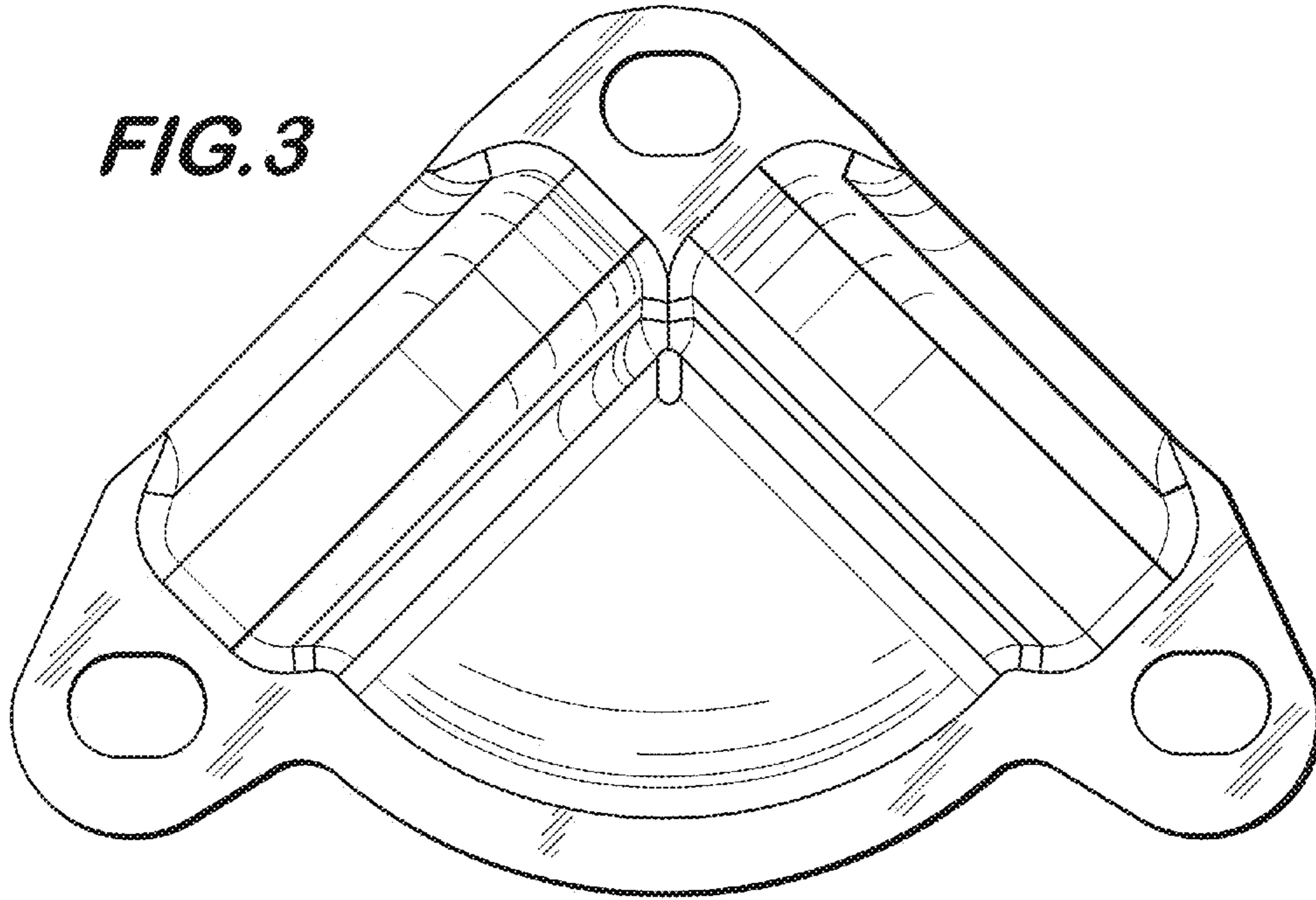
**FIG. 1**



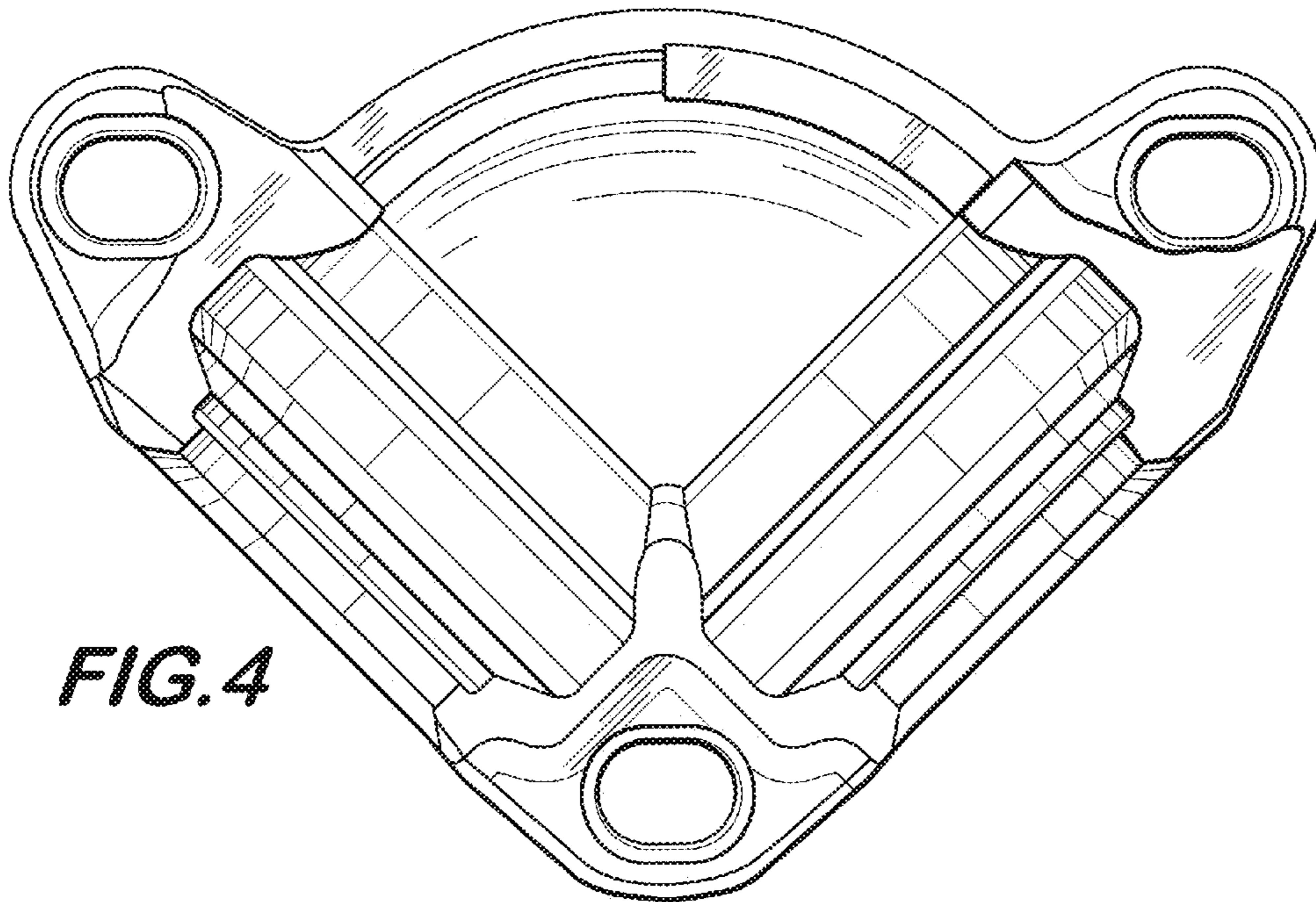
**FIG. 2**



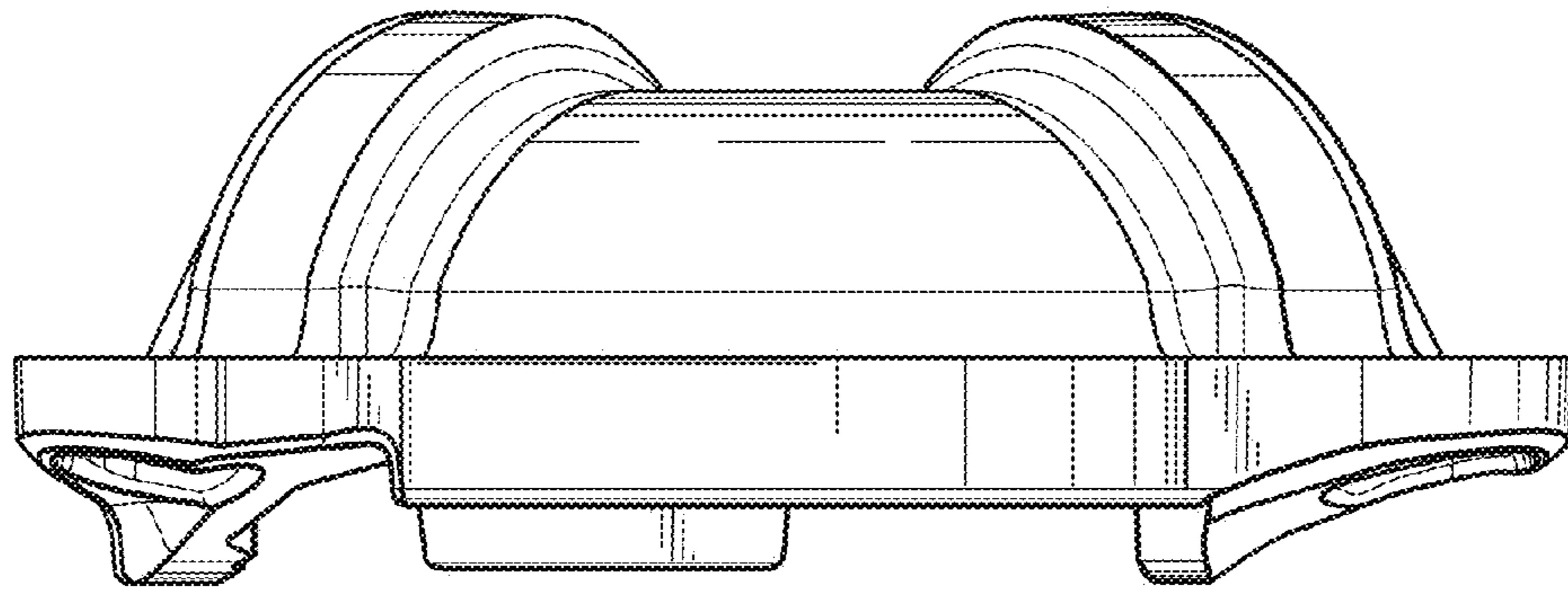
**FIG.3**



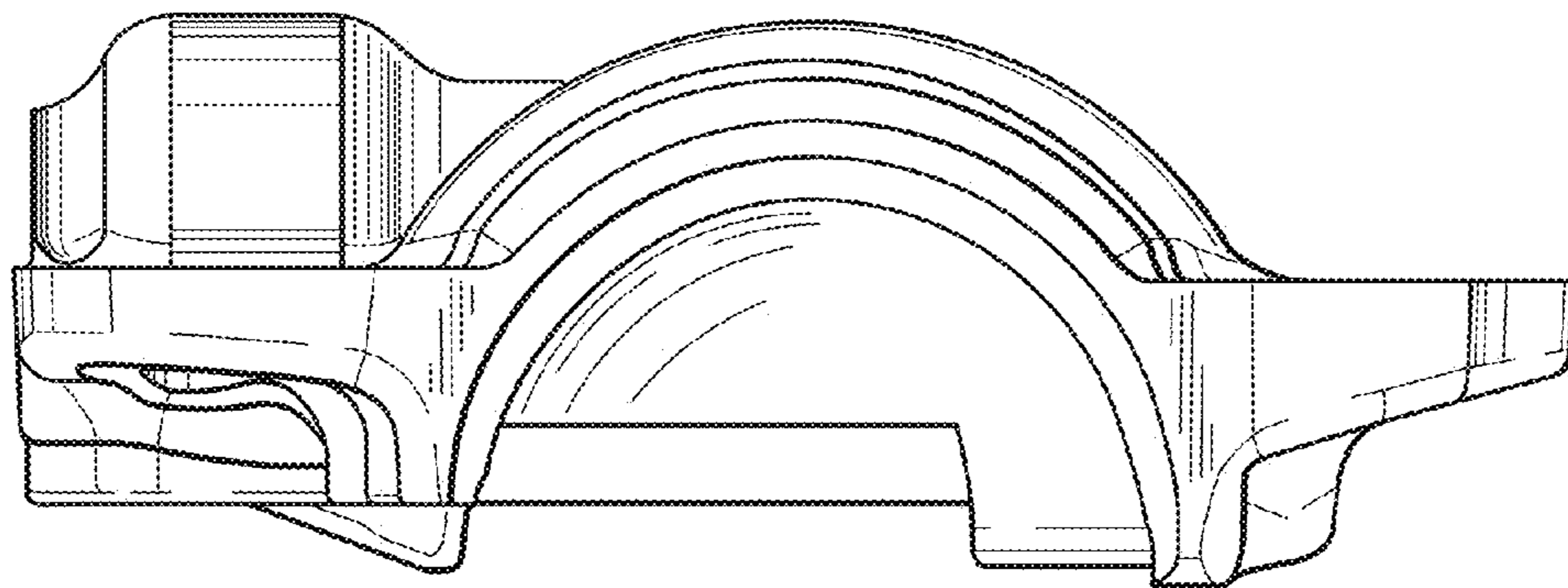
**FIG.4**



**FIG. 5**



**FIG. 6**



**FIG. 7**

