



US00D764026S

(12) **United States Design Patent**
Mills et al.

(10) **Patent No.:** **US D764,026 S**
(45) **Date of Patent:** **** Aug. 16, 2016**

- (54) **VALVE HOUSING**
- (71) Applicant: **Eaton Corporation**, Cleveland, OH (US)
- (72) Inventors: **Vaughn Kevin Mills**, Chelsea, MI (US);
Ronald Earl Sexton, South Lyon, MI (US)
- (73) Assignee: **Eaton Corporation**, Cleveland, OH (US)
- (**) Term: **14 Years**
- (21) Appl. No.: **29/498,207**
- (22) Filed: **Jul. 31, 2014**

Related U.S. Application Data

- (63) Continuation-in-part of application No. 29/484,353, filed on Mar. 7, 2014, now Pat. No. Des. 731,621.
- (51) **LOC (10) Cl.** **23-01**
- (52) **U.S. Cl.**
USPC **D23/233**
- (58) **Field of Classification Search**
USPC D23/233-250; 220/560.03, 373, 374,
220/367.1; 137/533, 197, 12, 202, 588,
137/513.5; 123/518, 516; 141/59; D24/162;
210/167.22, 266; 55/497
CPC ... F16K 27/00; F16K 27/003; F16K 11/0712;
F16K 17/105; F16K 27/12; F16K 31/0603;
F16K 31/0613; F16K 31/0665
See application file for complete search history.

(56) **References Cited**

U.S. PATENT DOCUMENTS

- 1,787,135 A * 12/1930 Barnes F02M 35/022
55/385.1
- 2,090,454 A 8/1937 Mayer
- 2,329,356 A * 9/1943 Moore B01D 37/02
210/447
- 2,973,833 A 3/1961 Cook
- 3,144,315 A * 8/1964 Hunn F02M 35/024
55/486

- 3,556,298 A * 1/1971 Huebner B01D 29/016
210/131
- 3,701,433 A 10/1972 Krakauer et al.
- 3,712,033 A * 1/1973 Gronholz B01D 46/0016
210/493.1
- 3,815,754 A * 6/1974 Rosenberg A61M 5/165
128/205.29
- D232,174 S 7/1974 La Borde
- D232,238 S 7/1974 La Borde

(Continued)

FOREIGN PATENT DOCUMENTS

CN 201152206 Y 11/2008

OTHER PUBLICATIONS

International Search Report, PCT/US2014/054423, mailed Dec. 17, 2014, pp. 1-3.

(Continued)

Primary Examiner — Cynthia Ramirez
Assistant Examiner — Gino Colan

(74) *Attorney, Agent, or Firm* — Mei & Mark LLP

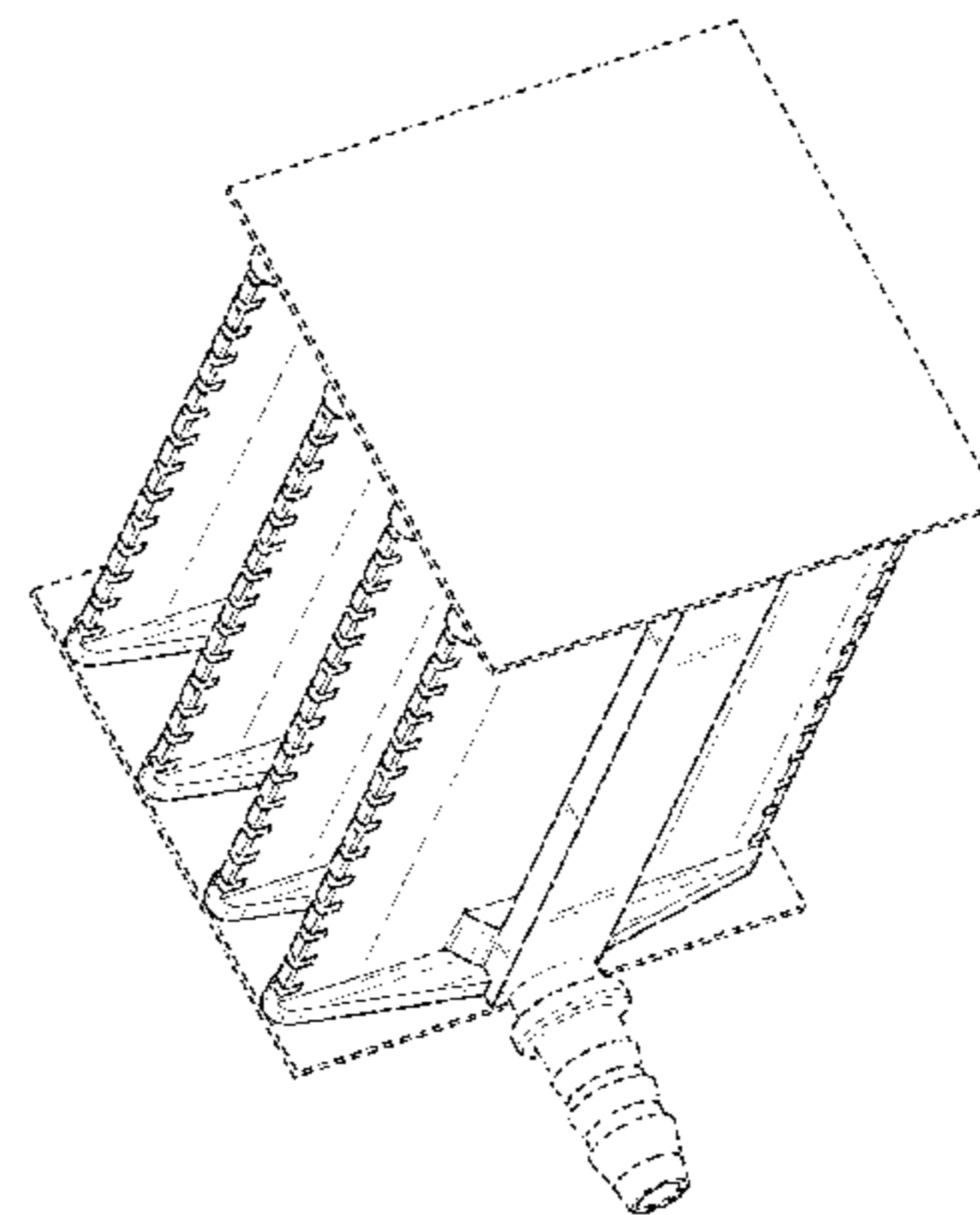
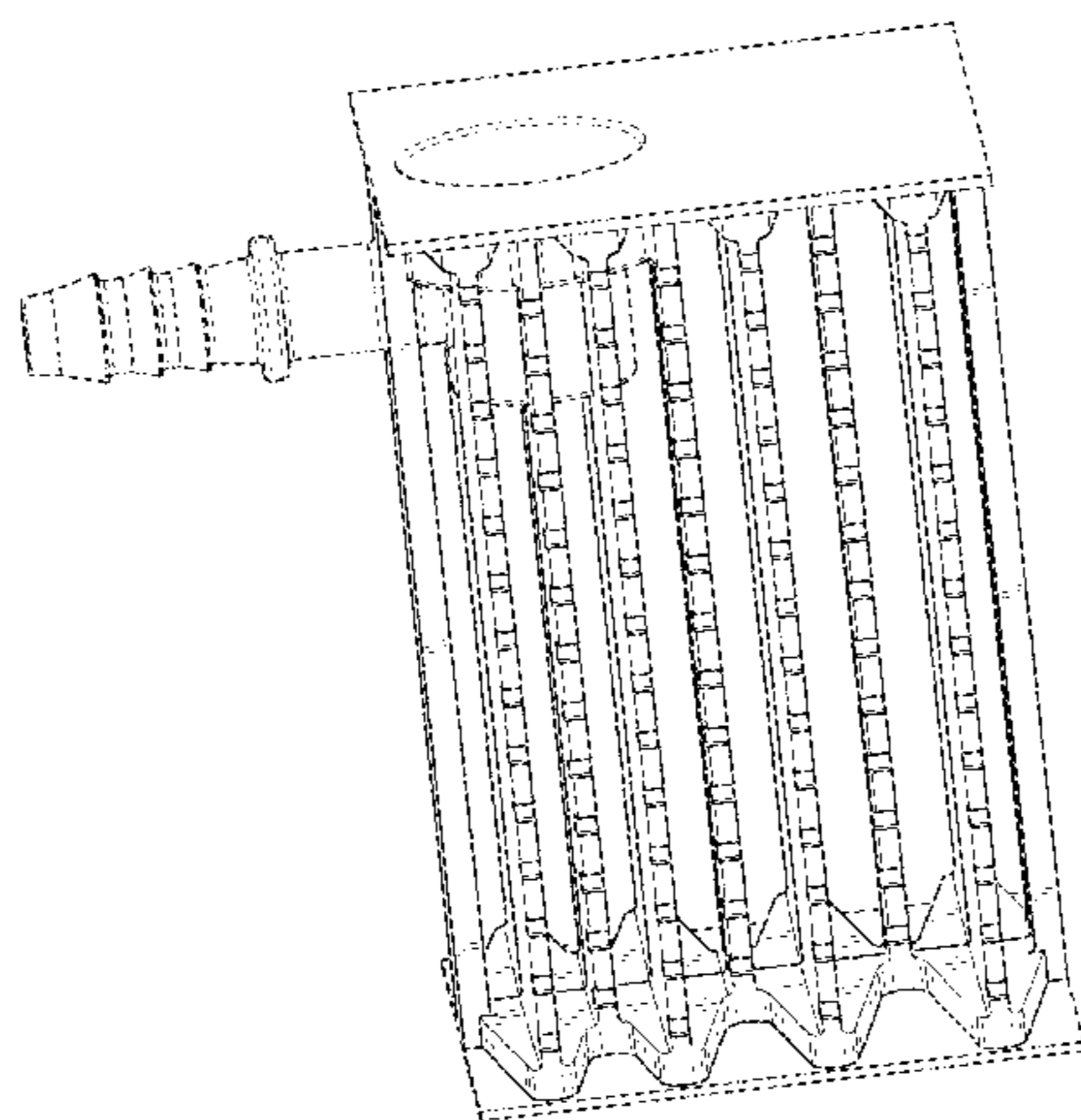
(57) **CLAIM**

The ornamental design for a valve housing, as shown and described.

DESCRIPTION

FIG. 1 is a perspective view of a valve housing showing our new design;
 FIG. 2 is another perspective view thereof;
 FIG. 3 is a back elevational view thereof;
 FIG. 4 is a front elevational view thereof;
 FIG. 5 is a left elevational view thereof;
 FIG. 6 is a right elevational view thereof;
 FIG. 7 is a top plan view thereof; and,
 FIG. 8 is a bottom plan view thereof.
 The broken lines showing in the figures are for the purpose of illustrating portions of the valve housing and form no part of the claimed design.

1 Claim, 8 Drawing Sheets



(56)

References Cited

U.S. PATENT DOCUMENTS

D244,530 S 5/1977 Bell
 4,053,414 A 10/1977 in'tVeld
 4,187,182 A 2/1980 Rosenberg
 4,203,738 A * 5/1980 Kerman B01D 46/0065
 55/287
 4,228,011 A * 10/1980 Cote, Jr. B01D 29/01
 210/232
 4,411,783 A 10/1983 Dickens
 4,490,254 A 12/1984 Gordon
 4,552,657 A 11/1985 Ogawa
 D307,461 S 4/1990 Kim
 5,019,141 A 5/1991 Granville et al.
 D317,814 S 6/1991 Tomlinson
 5,035,729 A 7/1991 Hodgkins
 5,253,668 A 10/1993 Mills
 D354,796 S 1/1995 Smith, Sr.
 D360,464 S 7/1995 Murray
 5,558,244 A 9/1996 Akaike et al.
 5,620,505 A * 4/1997 Koch B01D 46/0024
 210/493.3
 D402,349 S 12/1998 Gavin

D410,734 S 6/1999 Pingel
 6,895,943 B1 5/2005 Taxon
 7,448,365 B2 11/2008 Mills
 8,272,398 B2 9/2012 Erdmann
 8,485,214 B2 7/2013 Erdmann et al.
 8,596,311 B2 12/2013 Erdmann et al.
 D702,320 S 4/2014 Pifer
 8,685,149 B2 4/2014 Uchida
 D731,621 S * 6/2015 Mills D23/233
 2007/0175514 A1 8/2007 Tharp et al.
 2010/0024898 A1 2/2010 Bansal et al.
 2010/0319789 A1 12/2010 Erdmann et al.
 2011/0088662 A1 4/2011 Erdmann
 2011/0168715 A1 7/2011 Erdmann et al.
 2012/0305099 A1 12/2012 Erdmann
 2012/0318793 A1 12/2012 Uchida
 2013/0269804 A1 10/2013 Erdmann et al.
 2013/0341331 A1 12/2013 Bork

OTHER PUBLICATIONS

Written Opinion, PCT/US2014/054423, mailed Dec. 17, 2014, pp. 1-6.

* cited by examiner

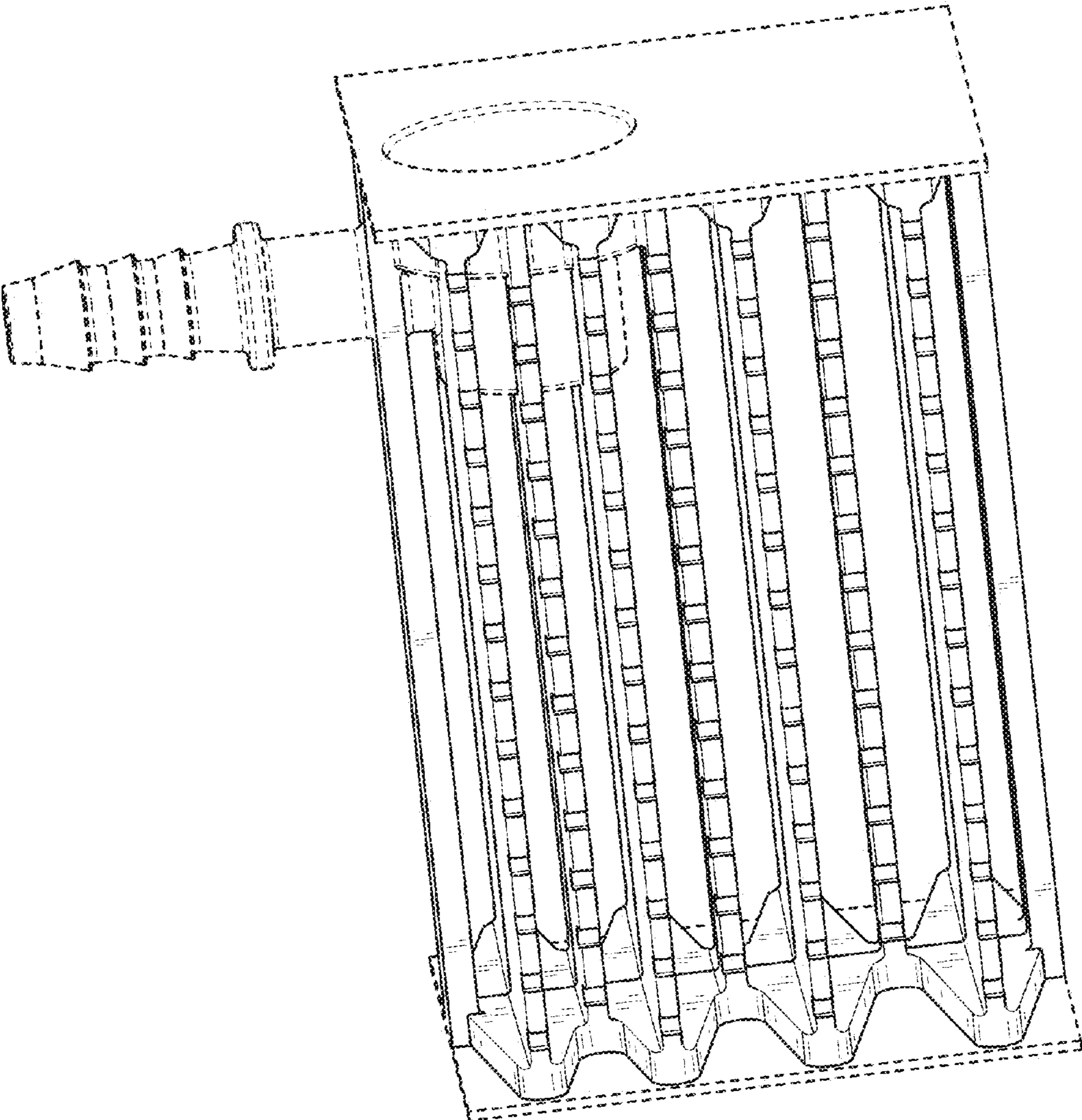


FIG. 1

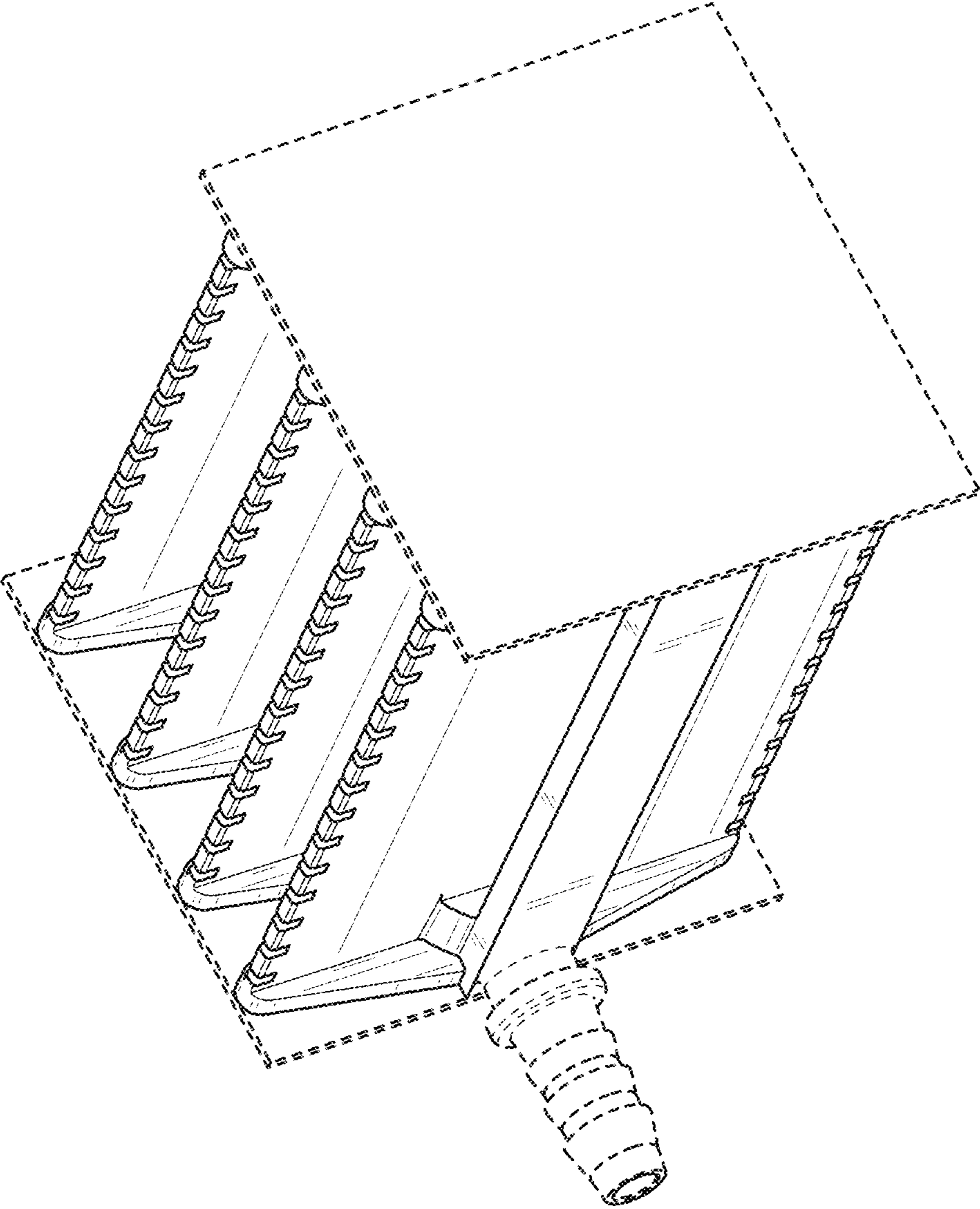


FIG. 2

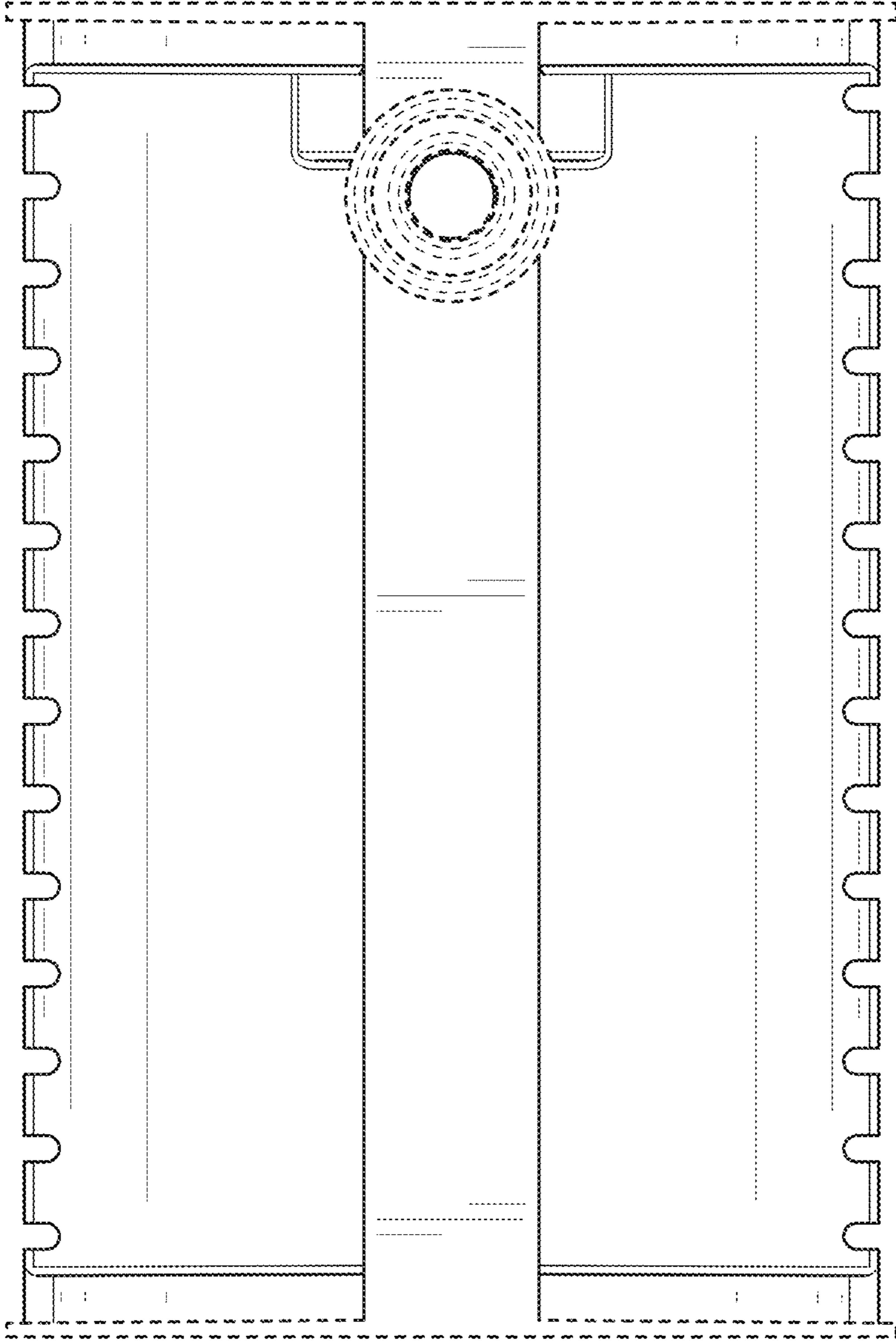


FIG. 3

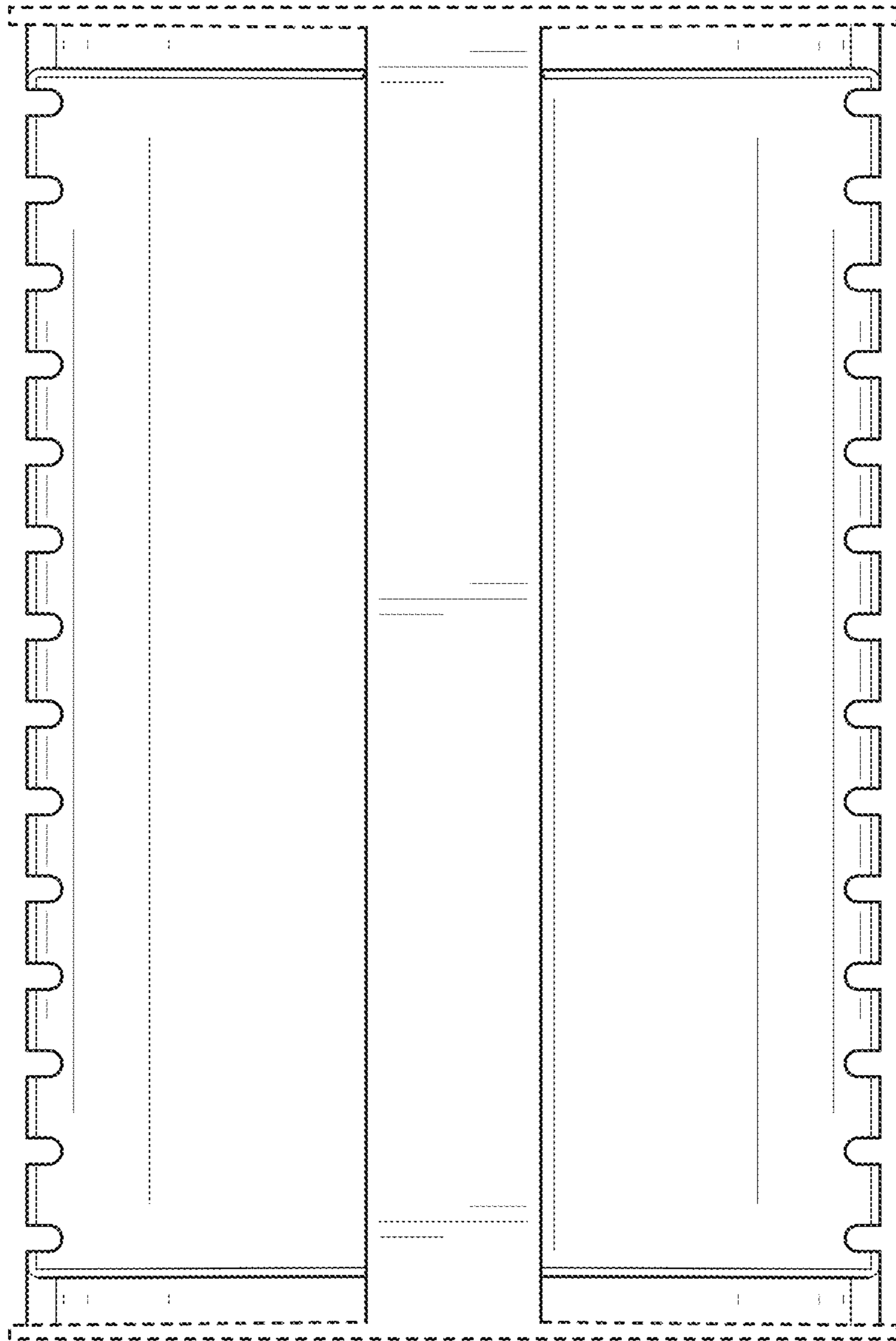


FIG. 4

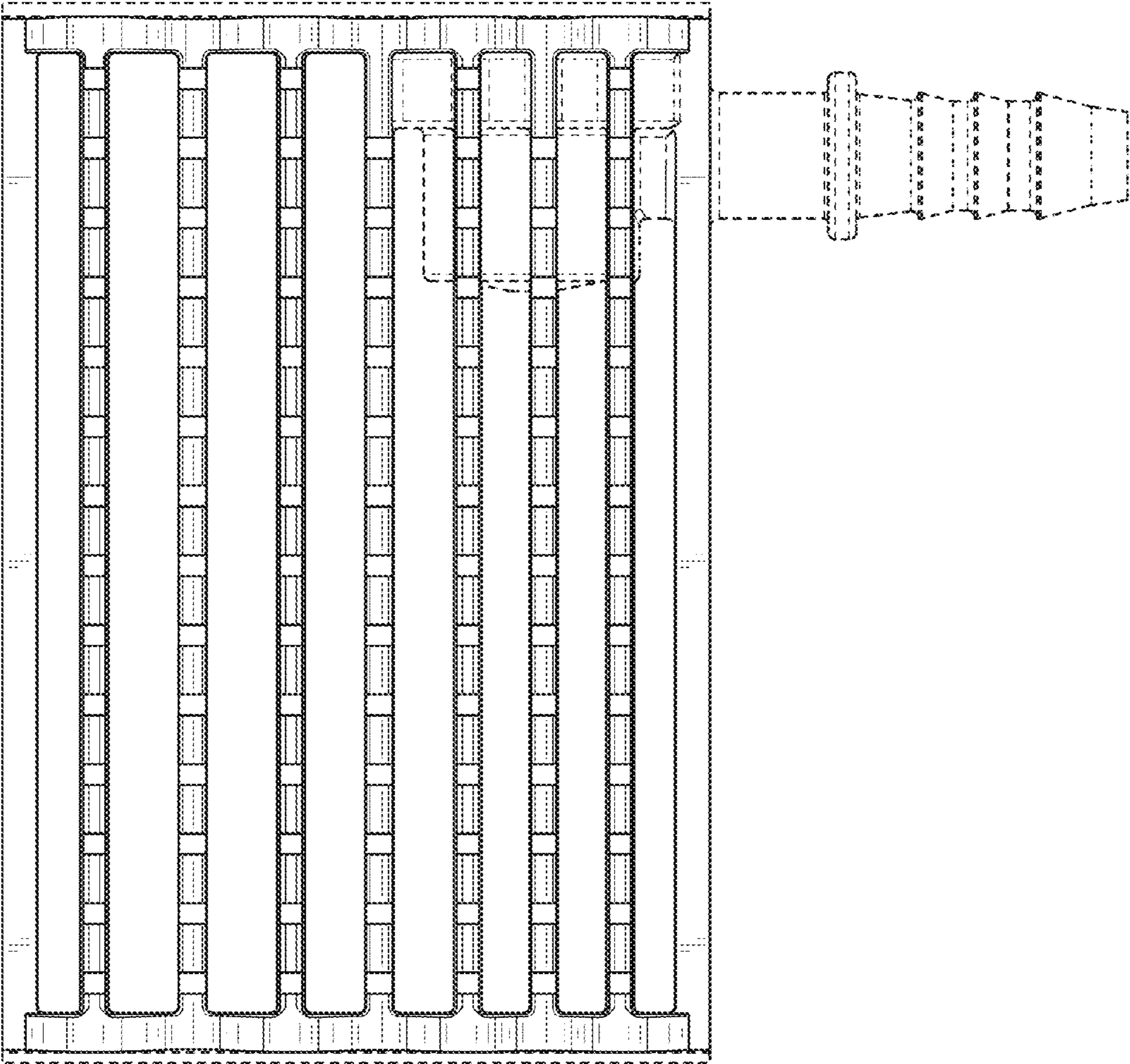


FIG. 5

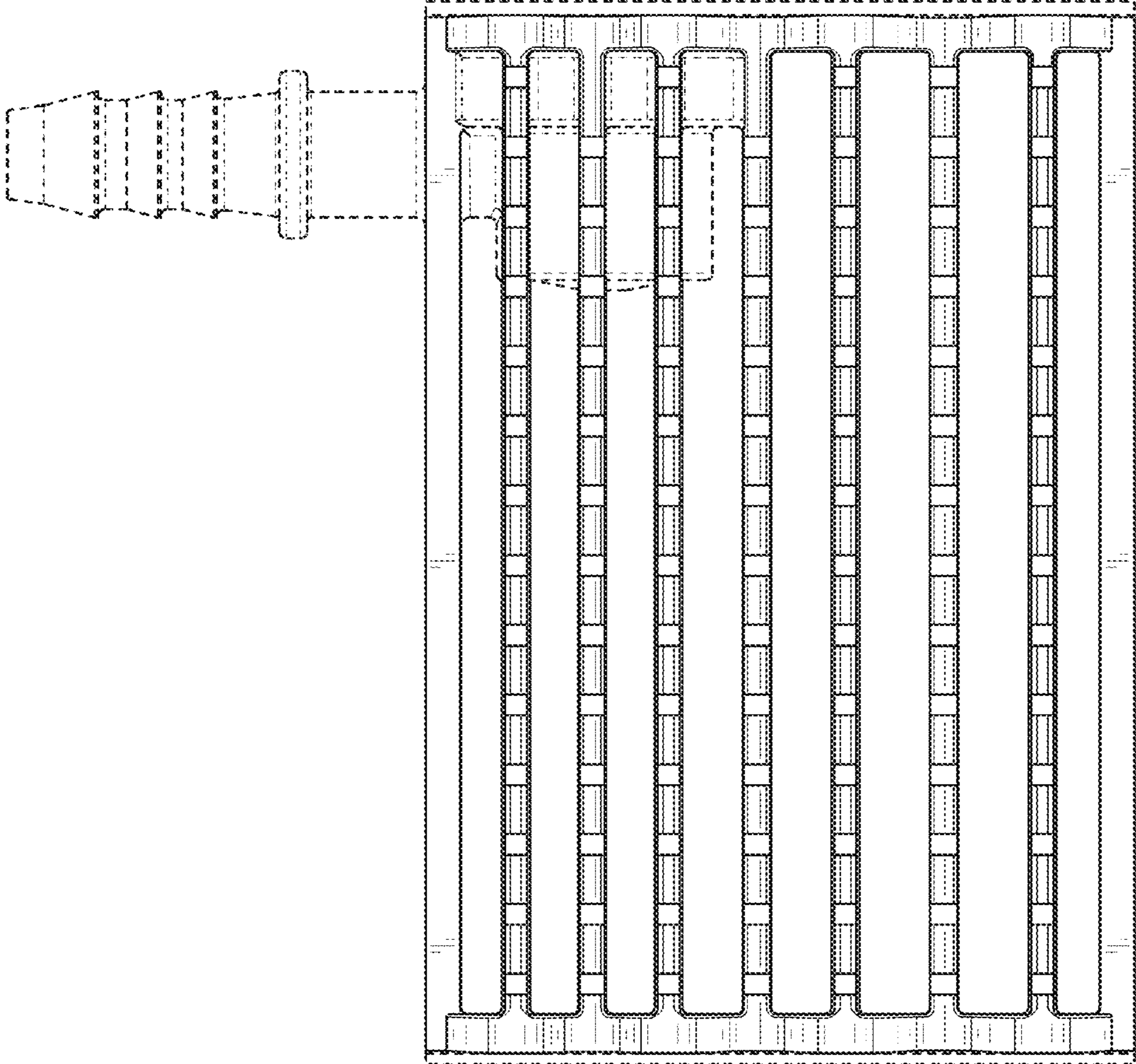


FIG. 6

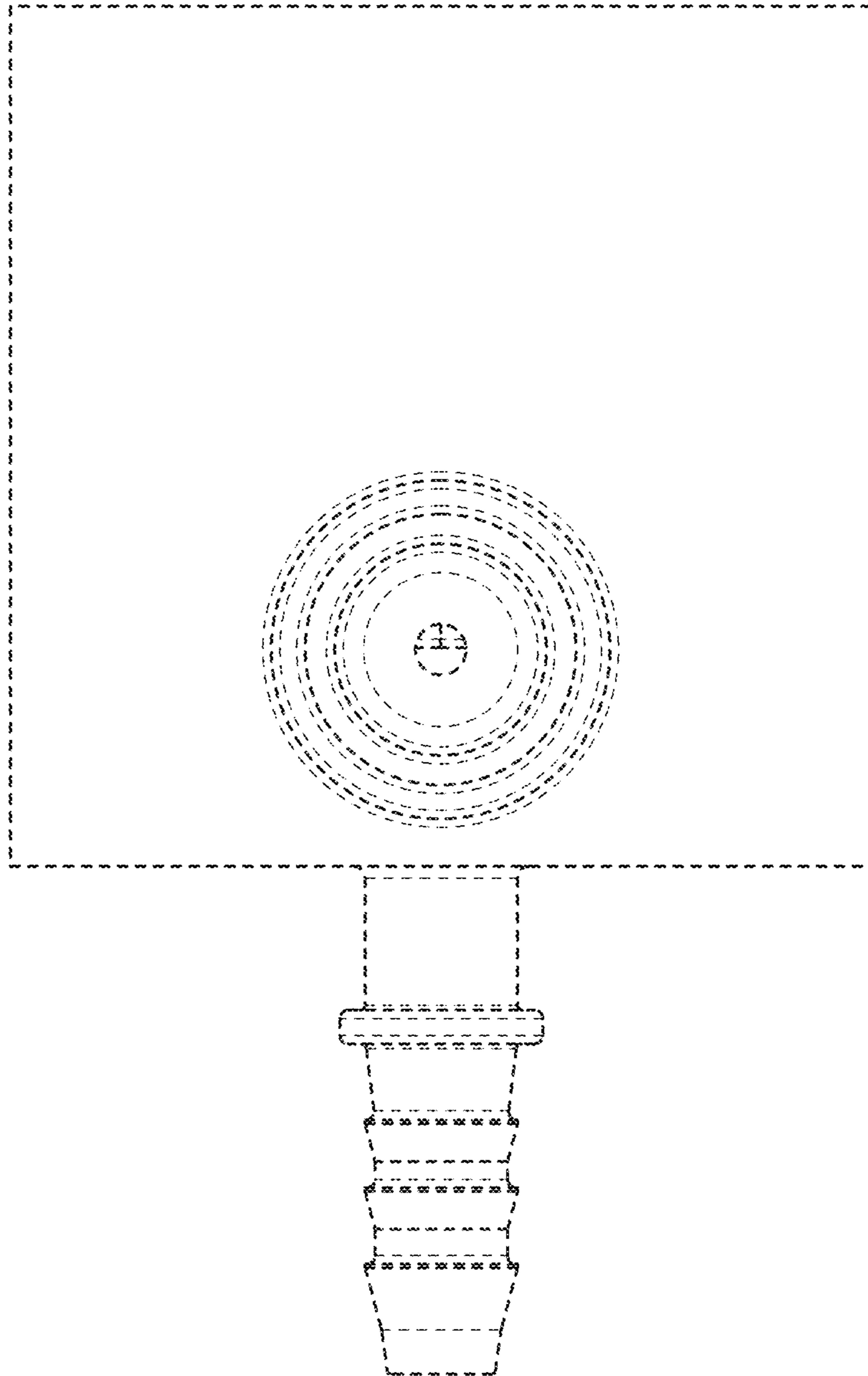


FIG. 7

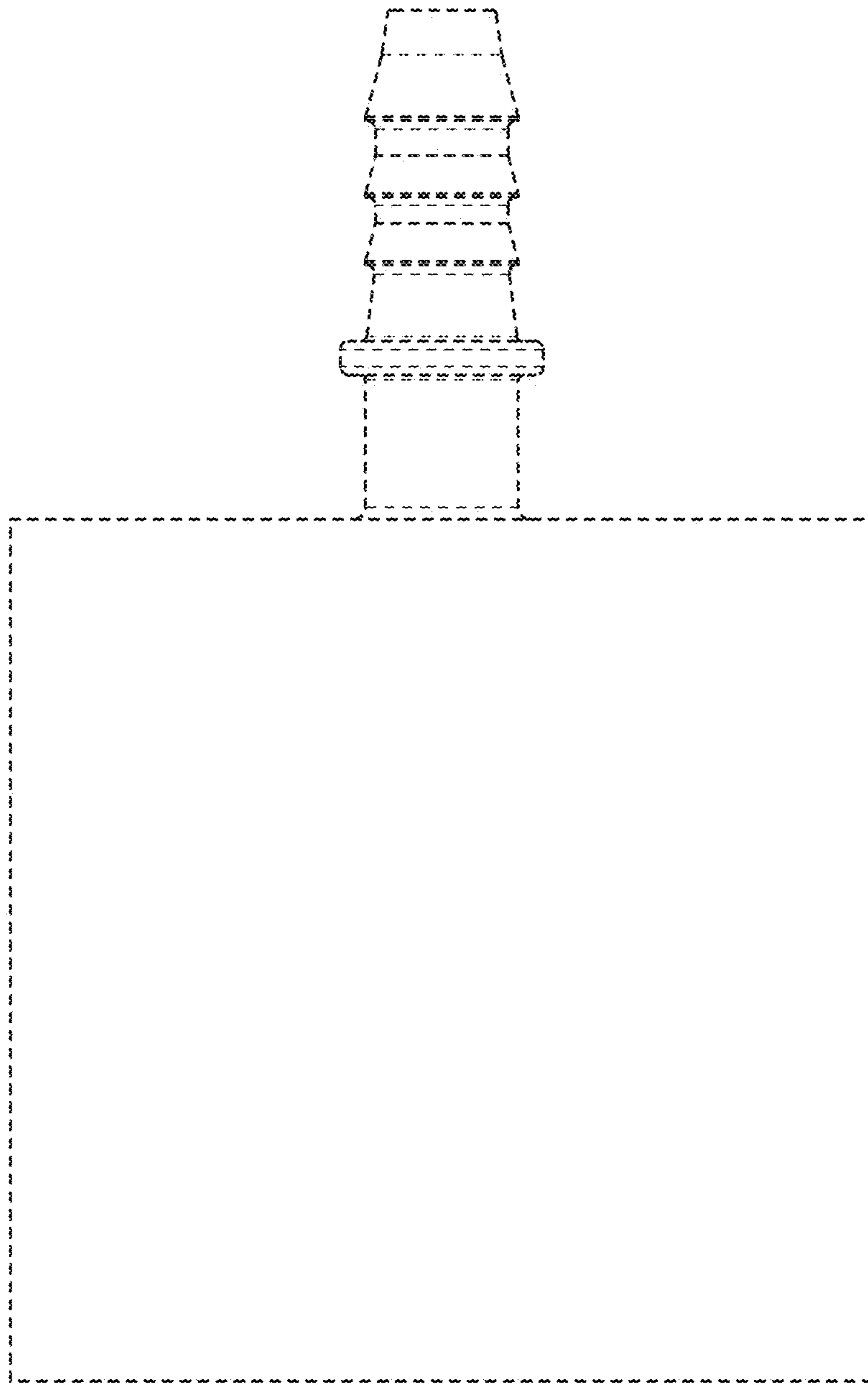


FIG. 8