

US00D764024S

(12) **United States Design Patent**  
**Cl rroux et al.**

(10) **Patent No.:** **US D764,024 S**  
(45) **Date of Patent:** **\*\* Aug. 16, 2016**

- (54) **AIRBRUSH** 6,892,960 B2 5/2005 Ptak et al.
- 6,976,640 B2 \* 12/2005 Chen ..... B05B 1/005  
239/290
- (71) Applicant: **Air Cosmetik Inc.**, Gatineau (CA) 6,997,396 B2 2/2006 Fedorov
- 7,191,959 B2 3/2007 Kutay et al.
- (72) Inventors: **Lise Cl rroux**, Gatineau (CA); **Andr **  
**Lafleur**, Boucherville (CA); ** ric**  
**Bussiere**, Ste-Julie (CA) 7,448,557 B2 11/2008 Ray et al.
- 7,607,591 B2 10/2009 Barch et al.
- 8,366,023 B1 \* 2/2013 Lin ..... B05B 9/0872  
222/333
- (73) Assignee: **AIR COSMETIK INC.**, Gatineau,  
Quebec (CA) 8,757,516 B2 6/2014 Spiegel et al.
- 2009/0206174 A1 8/2009 Arnaud et al.

(\*\*) Term: **15 Years**

(21) Appl. No.: **29/531,862**

(22) Filed: **Jun. 30, 2015**

(51) **LOC (10) Cl.** ..... **23-01**

(52) **U.S. Cl.**  
USPC ..... **D23/225**

(58) **Field of Classification Search**  
USPC ..... D23/213, 223, 22; D19/108; 239/526,  
239/290, 291  
CPC ..... B05B 1/005; B05B 9/01  
See application file for complete search history.

(56) **References Cited**

**U.S. PATENT DOCUMENTS**

- D123,203 S \* 10/1940 Potter ..... D23/226
- D140,837 S \* 4/1945 Baur ..... D23/226
- 4,033,511 A 7/1977 Chamberlin
- D247,506 S \* 3/1978 Bass ..... D23/226
- D248,041 S \* 5/1978 Persson ..... D23/226
- 5,088,903 A \* 2/1992 Tomatsu ..... B05B 7/12  
239/526
- D492,002 S 6/2004 Ptak et al.
- 6,779,742 B2 \* 8/2004 Kitajima ..... B05B 7/1209  
137/626

**FOREIGN PATENT DOCUMENTS**

- CA 2500085 A1 4/2004
- CA 2627536 A1 5/2007

\* cited by examiner

*Primary Examiner* — Robin V Webster

(74) *Attorney, Agent, or Firm* — PatentAgency.ca; Luis P. Estable

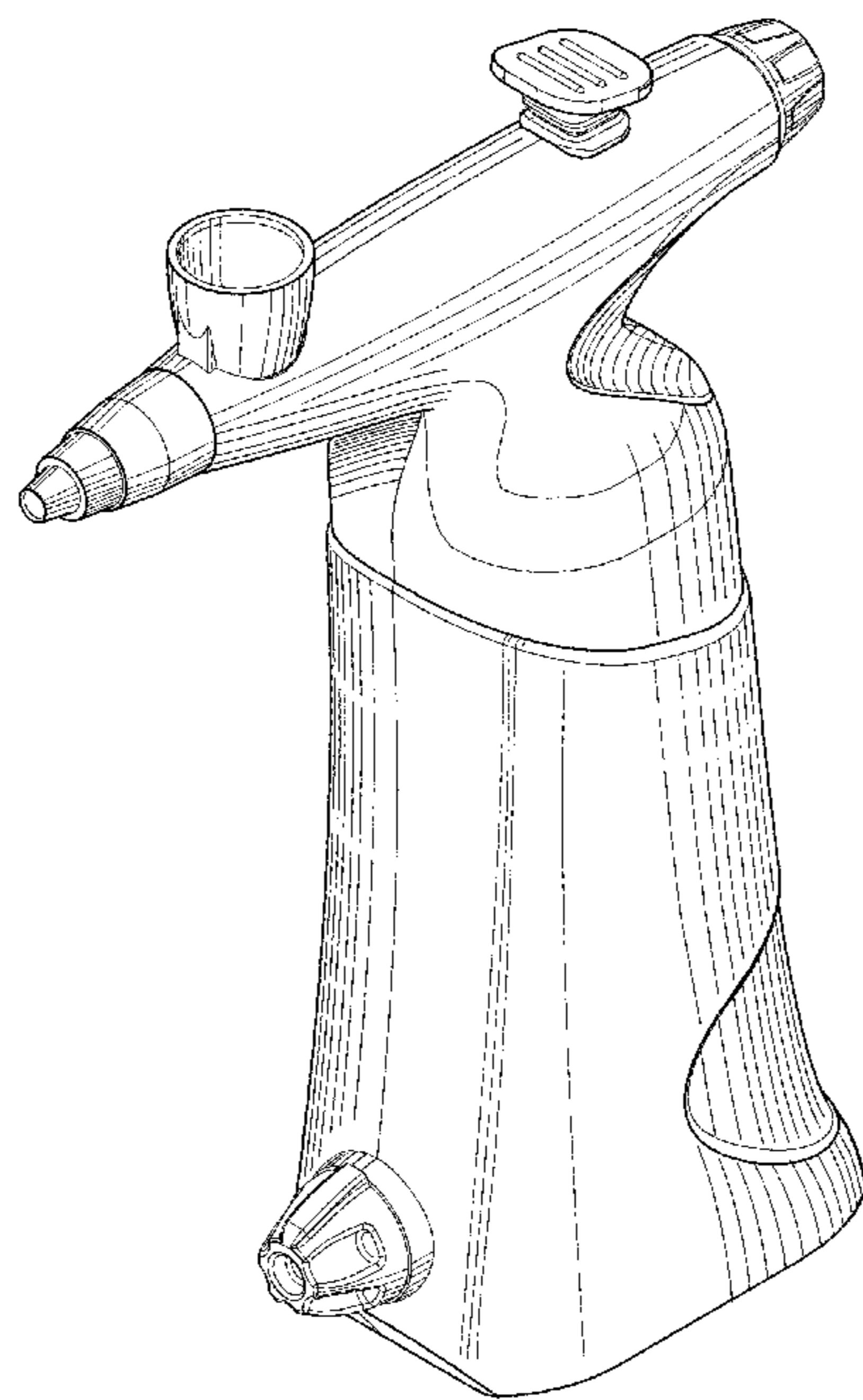
(57) **CLAIM**

The ornamental design for an airbrush, as shown and described.

**DESCRIPTION**

FIG. 1 is a front perspective view of the design of the airbrush;  
FIG. 2 is a back perspective view thereof;  
FIG. 3 is a second back perspective view thereof;  
FIG. 4 is a front view thereof;  
FIG. 5 is a back view thereof;  
FIG. 6 is a right side view thereof;  
FIG. 7 is a left side view thereof;  
FIG. 8 is a top view thereof; and,  
FIG. 9 is a bottom view thereof.

**1 Claim, 9 Drawing Sheets**



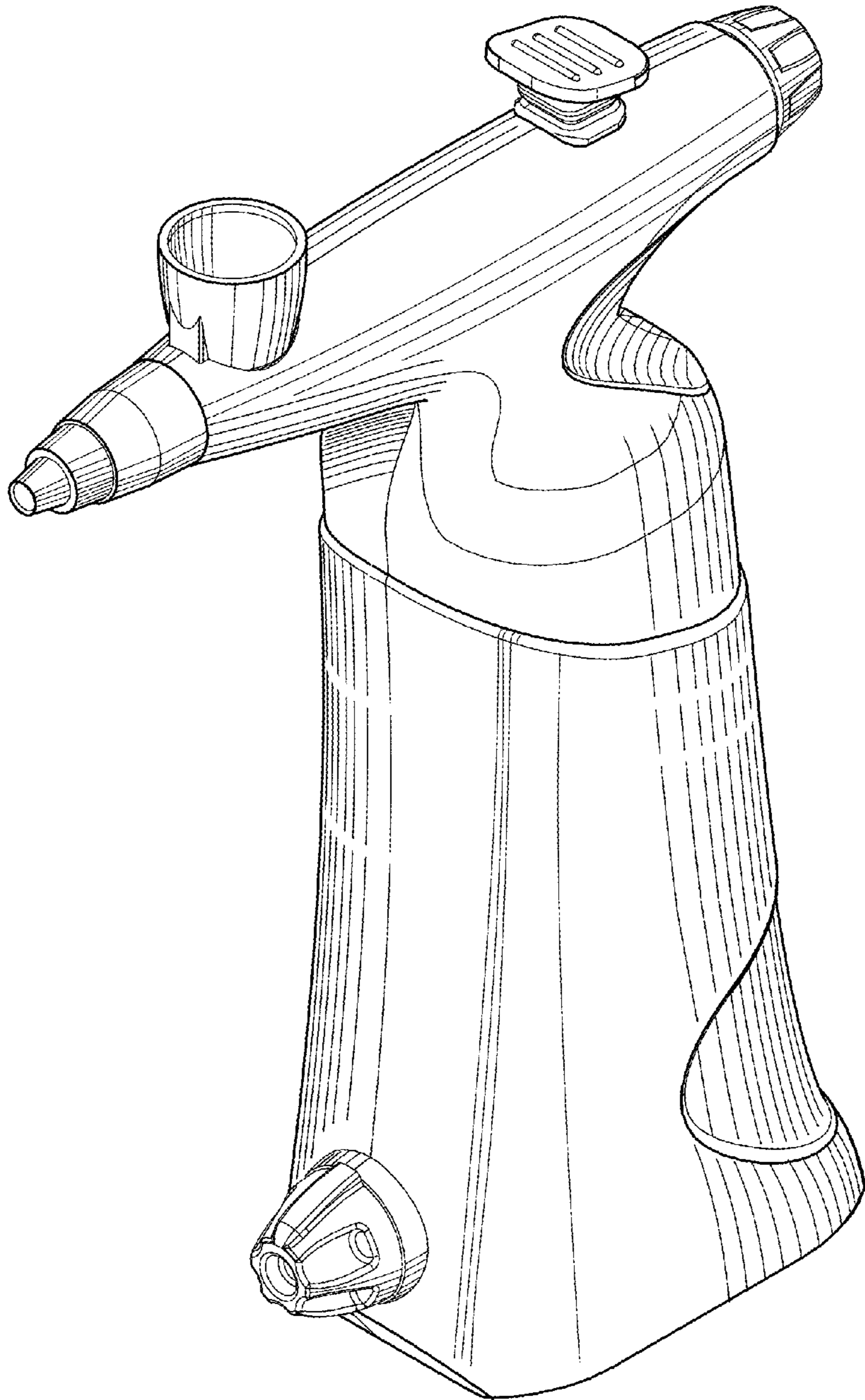


FIG. 1

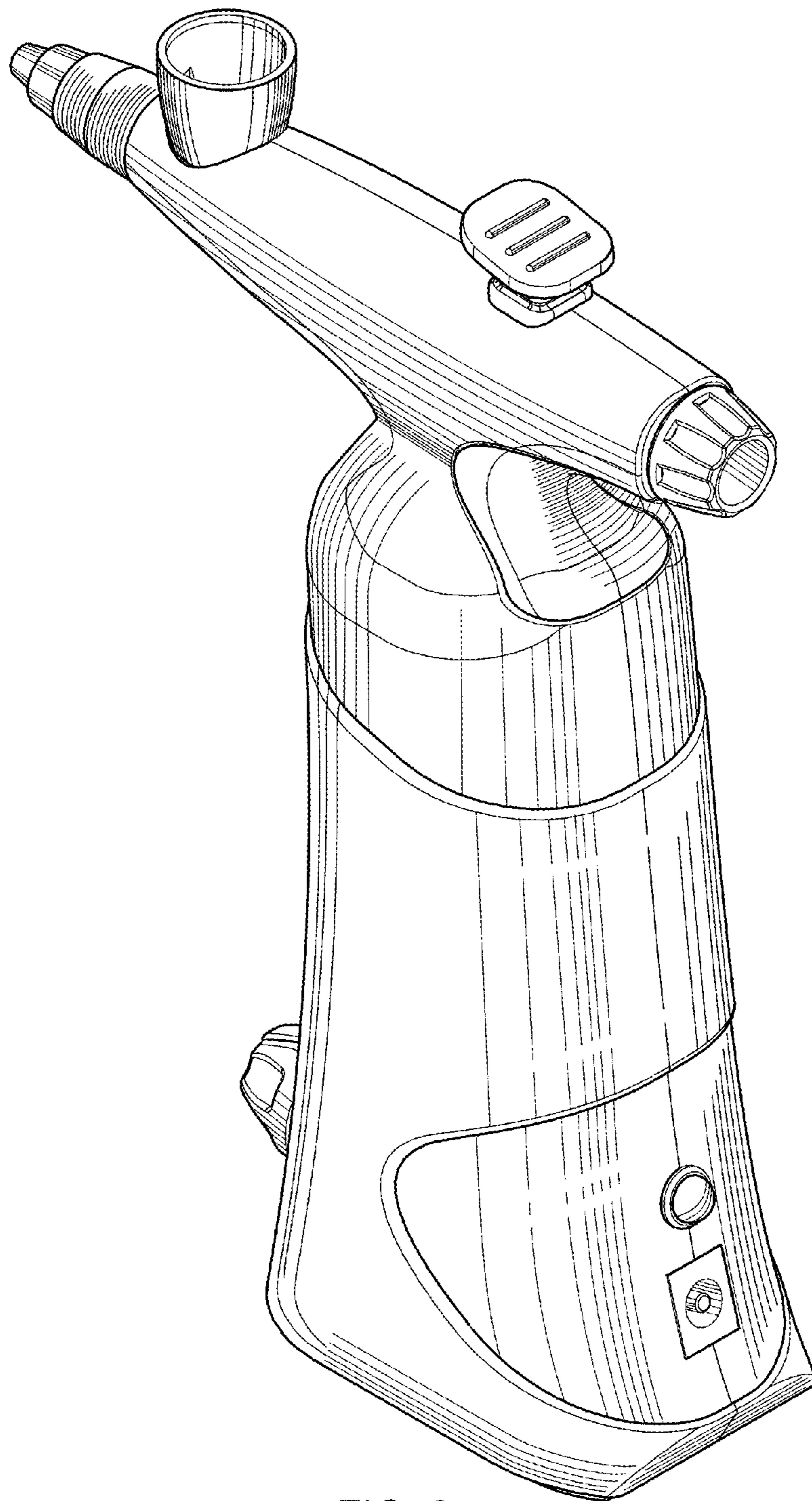


FIG. 2



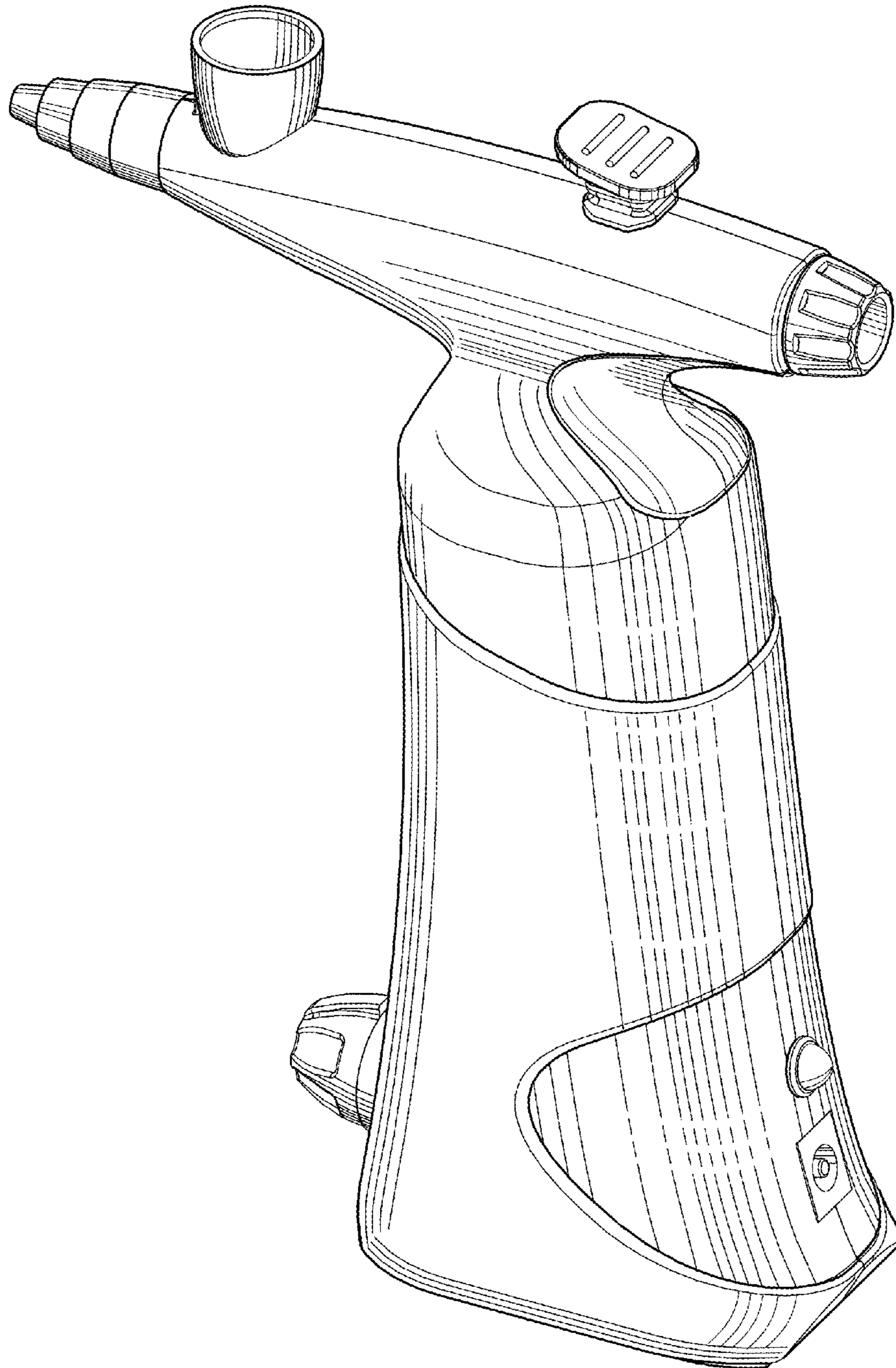


FIG. 3

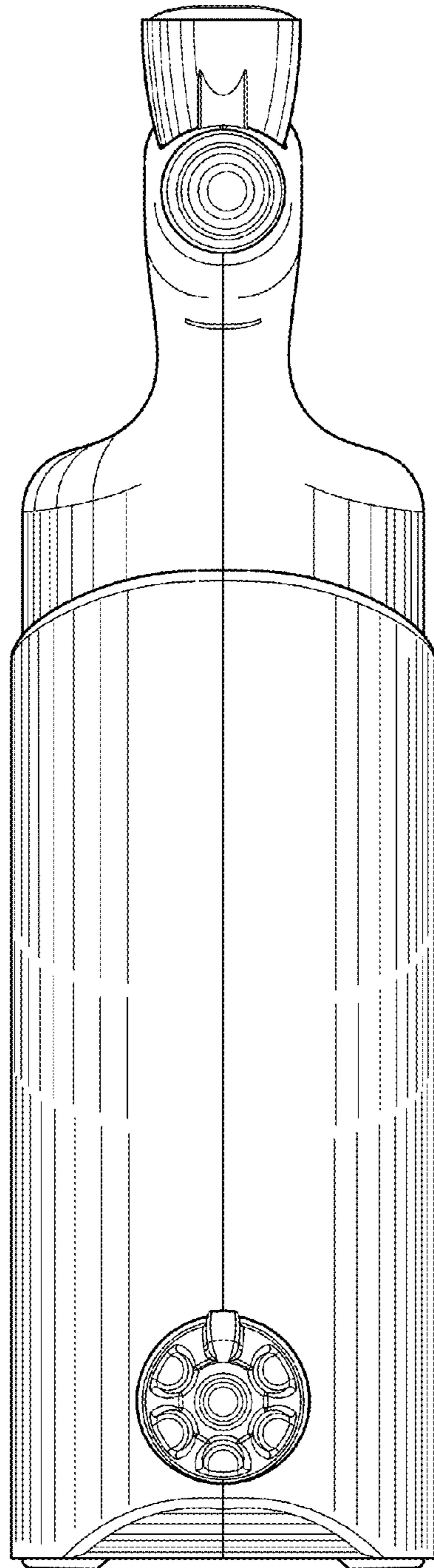


FIG. 4

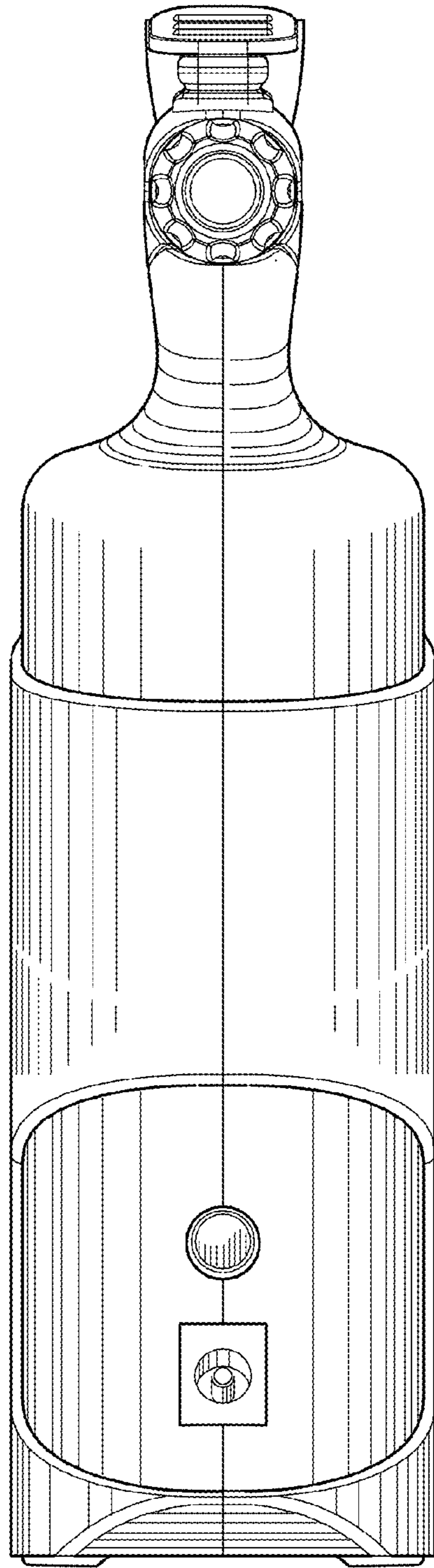


FIG. 5

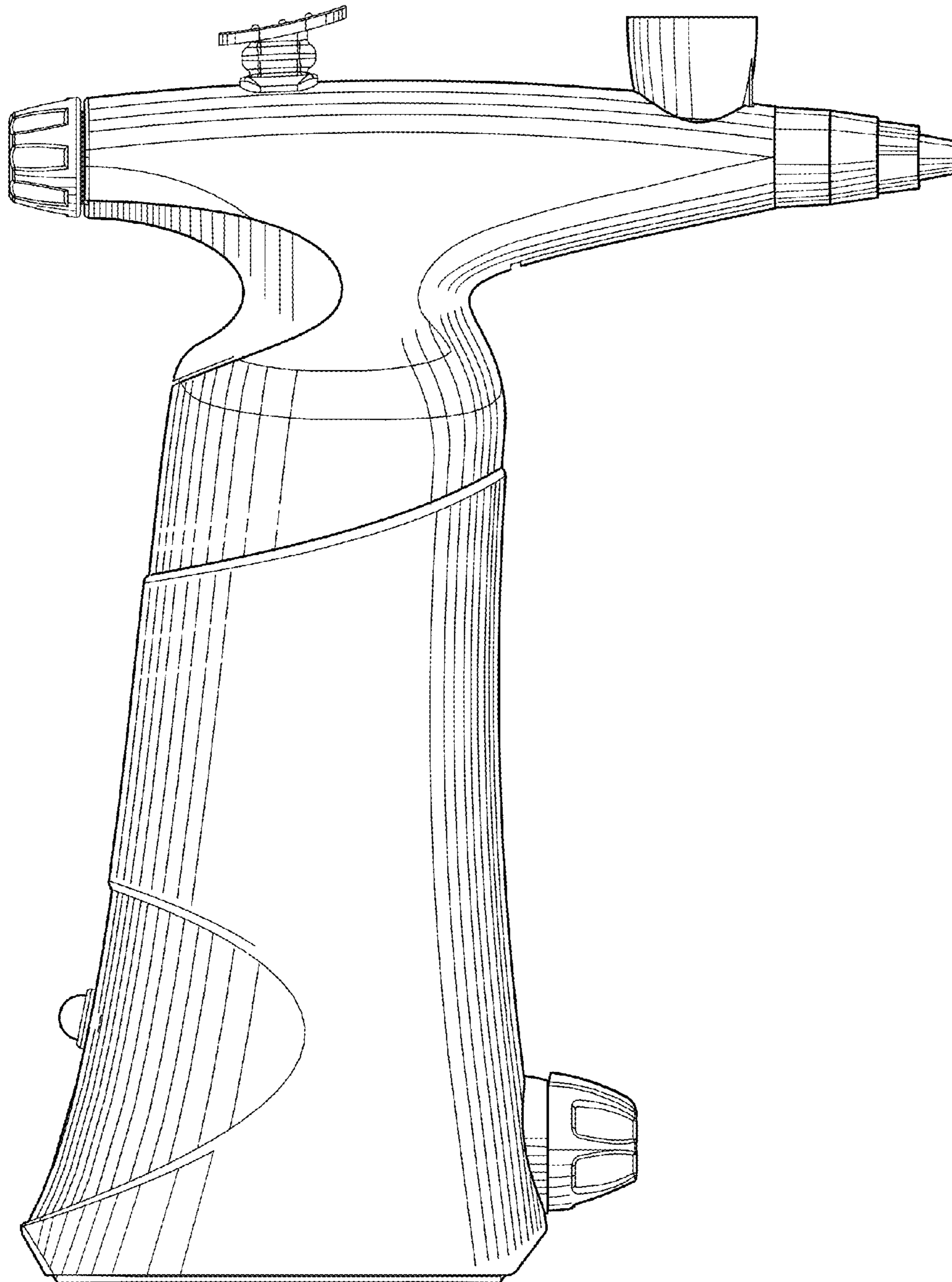


FIG. 6

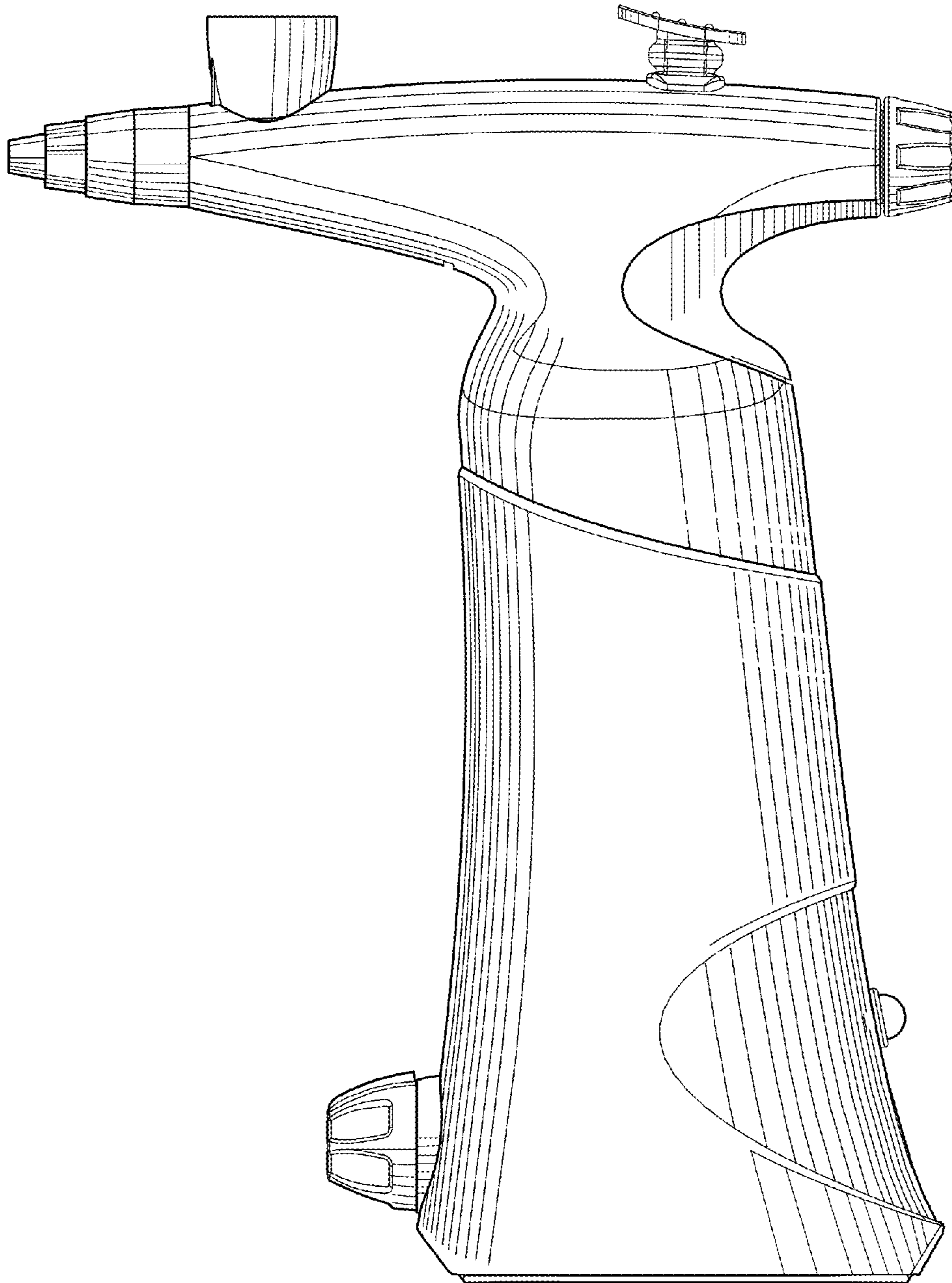


FIG. 7



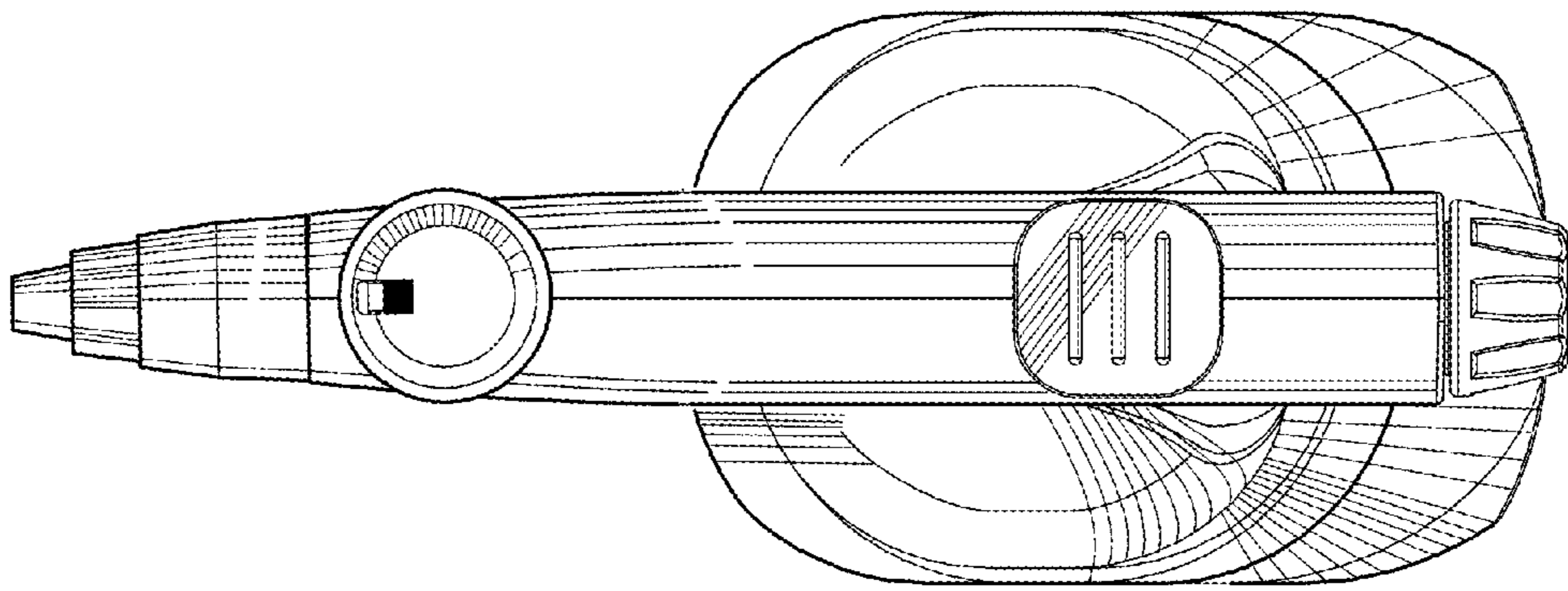


FIG. 8

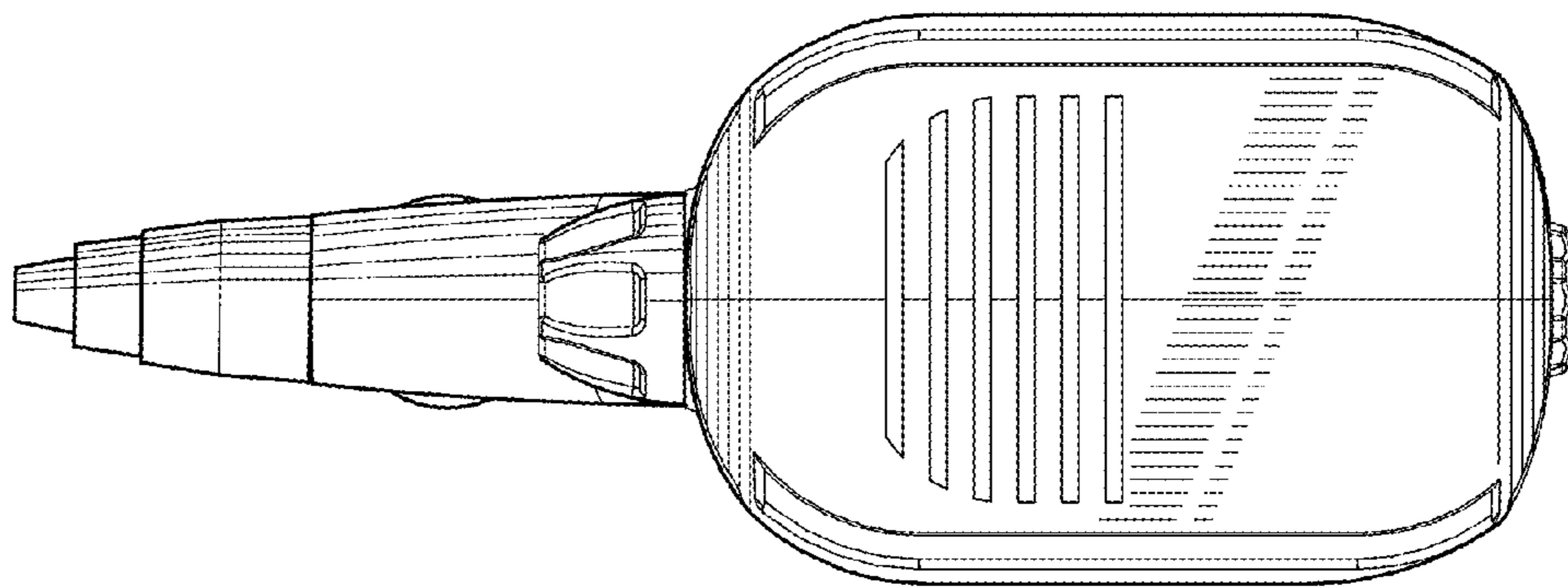


FIG. 9