



US00D764023S

(12) **United States Design Patent**
Woodard

(10) **Patent No.:** **US D764,023 S**

(45) **Date of Patent:** **** Aug. 16, 2016**

(54) **HOSE NOZZLE HOLDER**

(71) Applicant: **Merlon Patrick Woodard**, Swansboro,
NC (US)

(72) Inventor: **Merlon Patrick Woodard**, Swansboro,
NC (US)

(**) Term: **15 Years**

(21) Appl. No.: **29/532,713**

(22) Filed: **Jul. 9, 2015**

(51) **LOC (10) Cl.** **23-01**

(52) **U.S. Cl.**
USPC **D23/223**

(58) **Field of Classification Search**
USPC D23/213, 223, 226; 239/526, 532
CPC B05B 9/01; B05B 15/061
See application file for complete search history.

(56) **References Cited**

U.S. PATENT DOCUMENTS

D252,097 S * 6/1979 Probst D23/226
D489,792 S * 5/2004 Chen D23/223
D511,808 S * 11/2005 Chen D23/223

D556,008 S * 11/2007 Kerr D23/223
D574,927 S * 8/2008 Larsen D23/226
D629,067 S * 12/2010 Carpanese D23/226
D637,268 S * 5/2011 Yorns D23/213

* cited by examiner

Primary Examiner — Robin V Webster

(74) *Attorney, Agent, or Firm* — Ward and Smith, P.A.; Ryan
K. Simmons

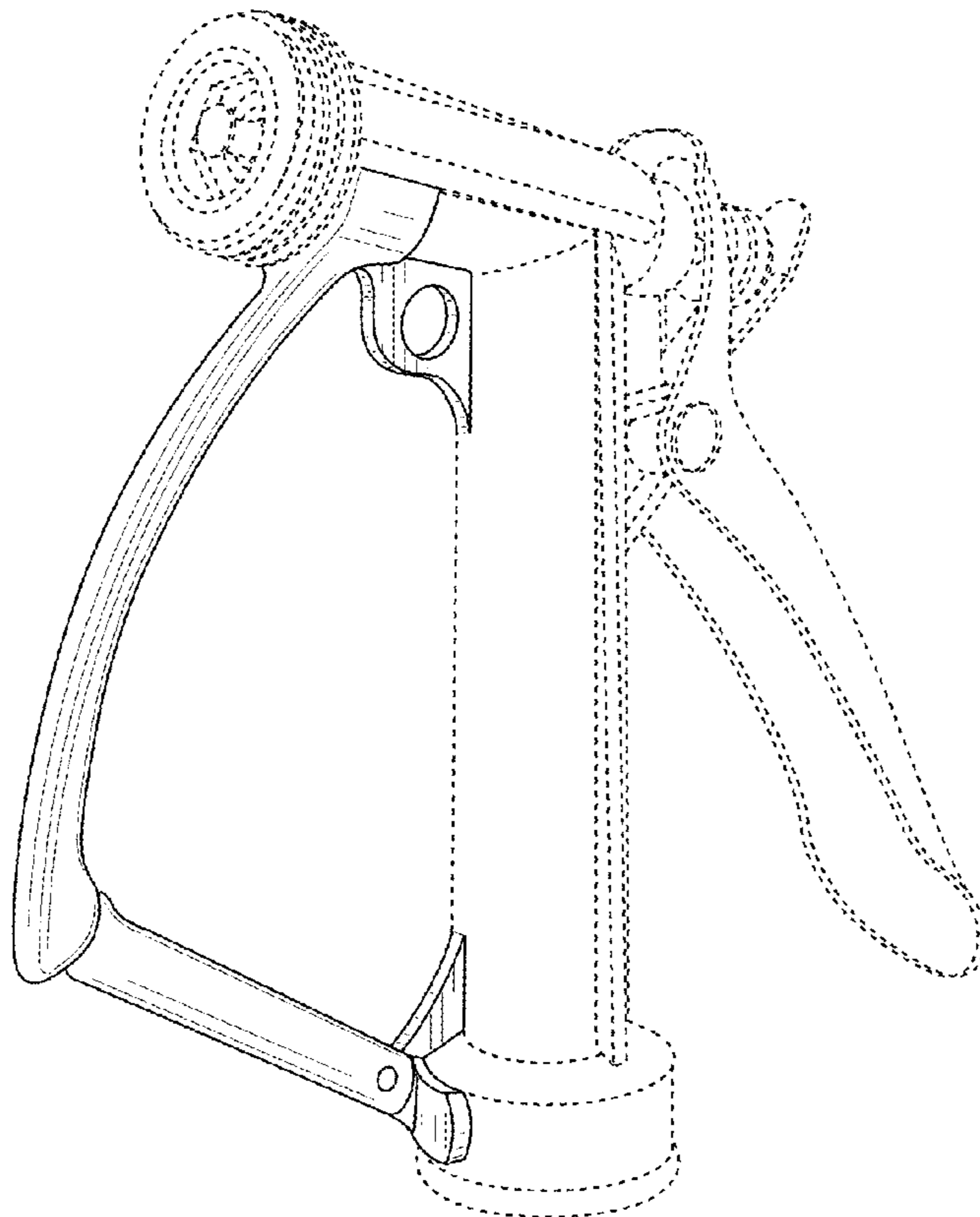
(57) **CLAIM**

The ornamental design for a hose nozzle holder, as shown and
described.

DESCRIPTION

FIG. 1 is a perspective view of a hose nozzle holder showing
a new design;
FIG. 2 is a left side elevation view thereof, the right side being
a mirror image;
FIG. 3 is a front elevation view thereof;
FIG. 4 is a rear elevation view thereof; and,
FIG. 5 is another perspective view thereof, showing the hose
nozzle holder in an alternate configuration.
The dashed lines shown in the drawings are for environmental
purposes only and form no part of the claimed design.

1 Claim, 5 Drawing Sheets



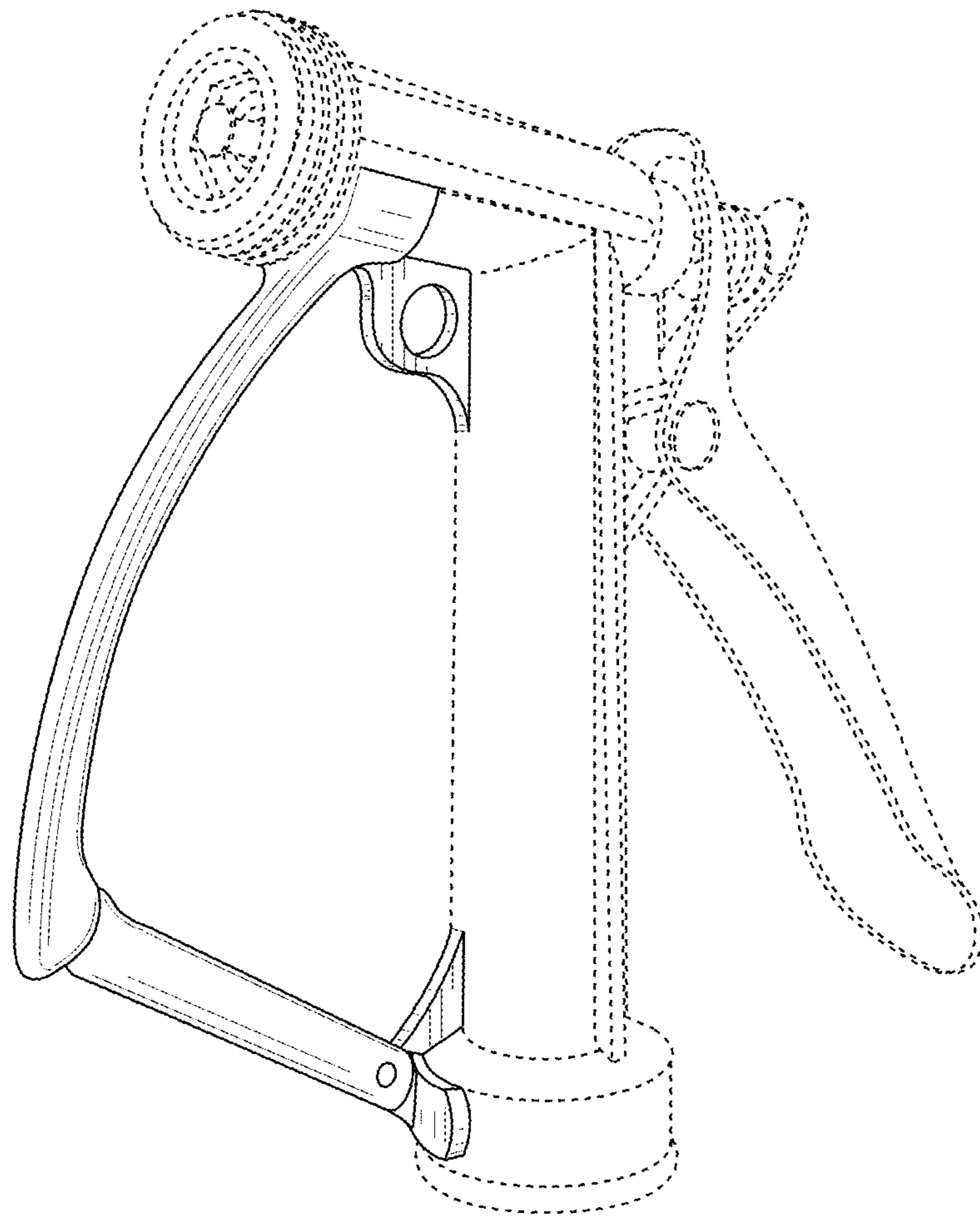


FIG. 1

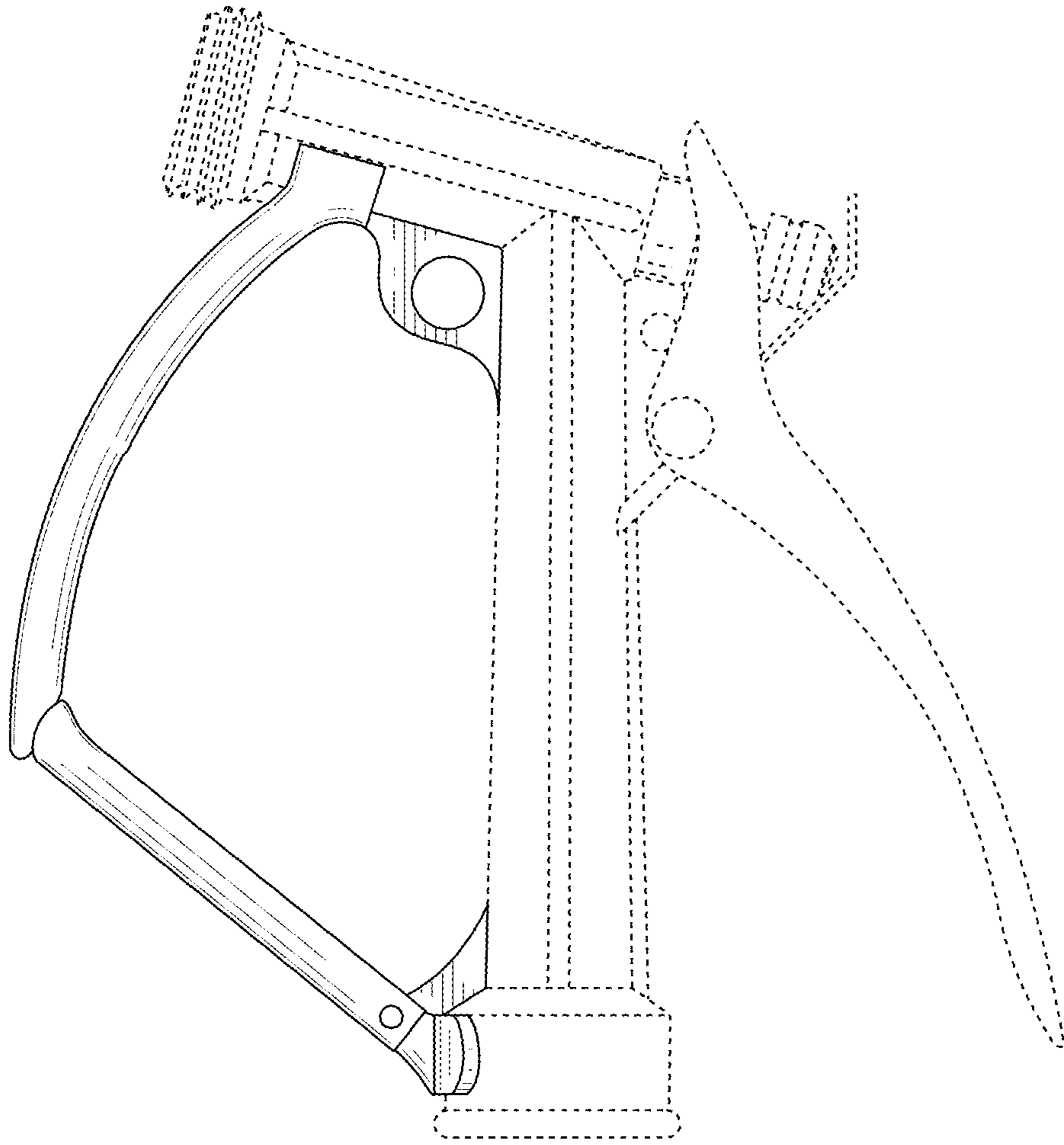


FIG. 2

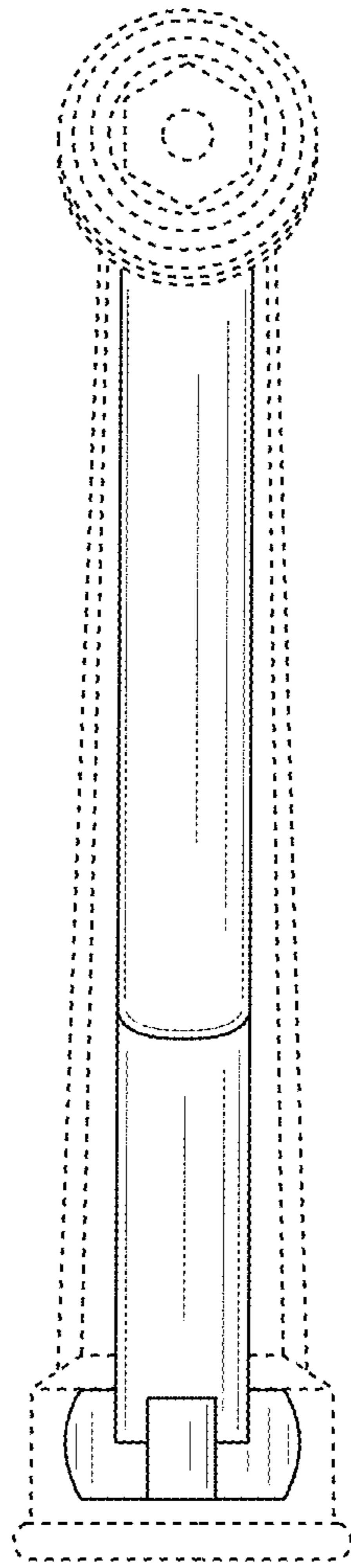


FIG. 3

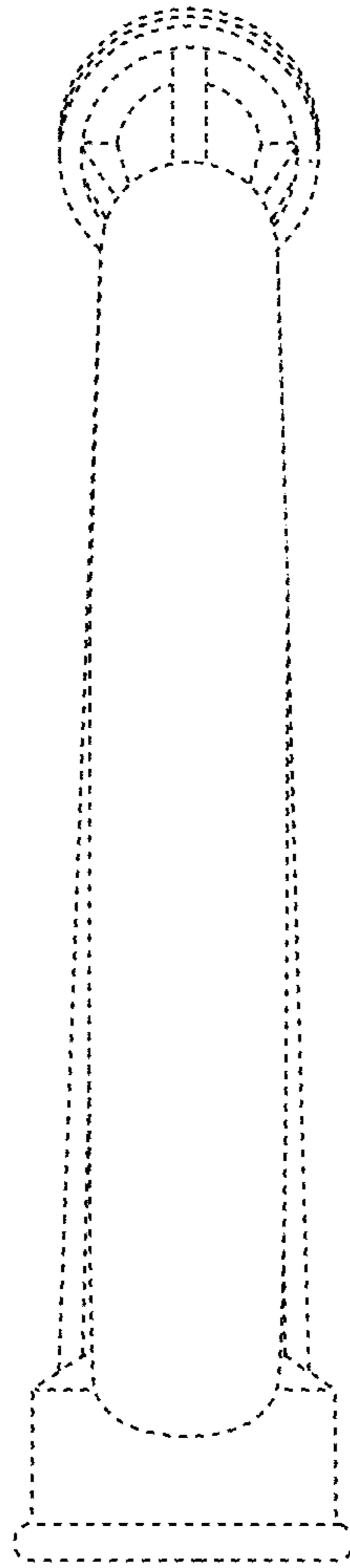


FIG. 4

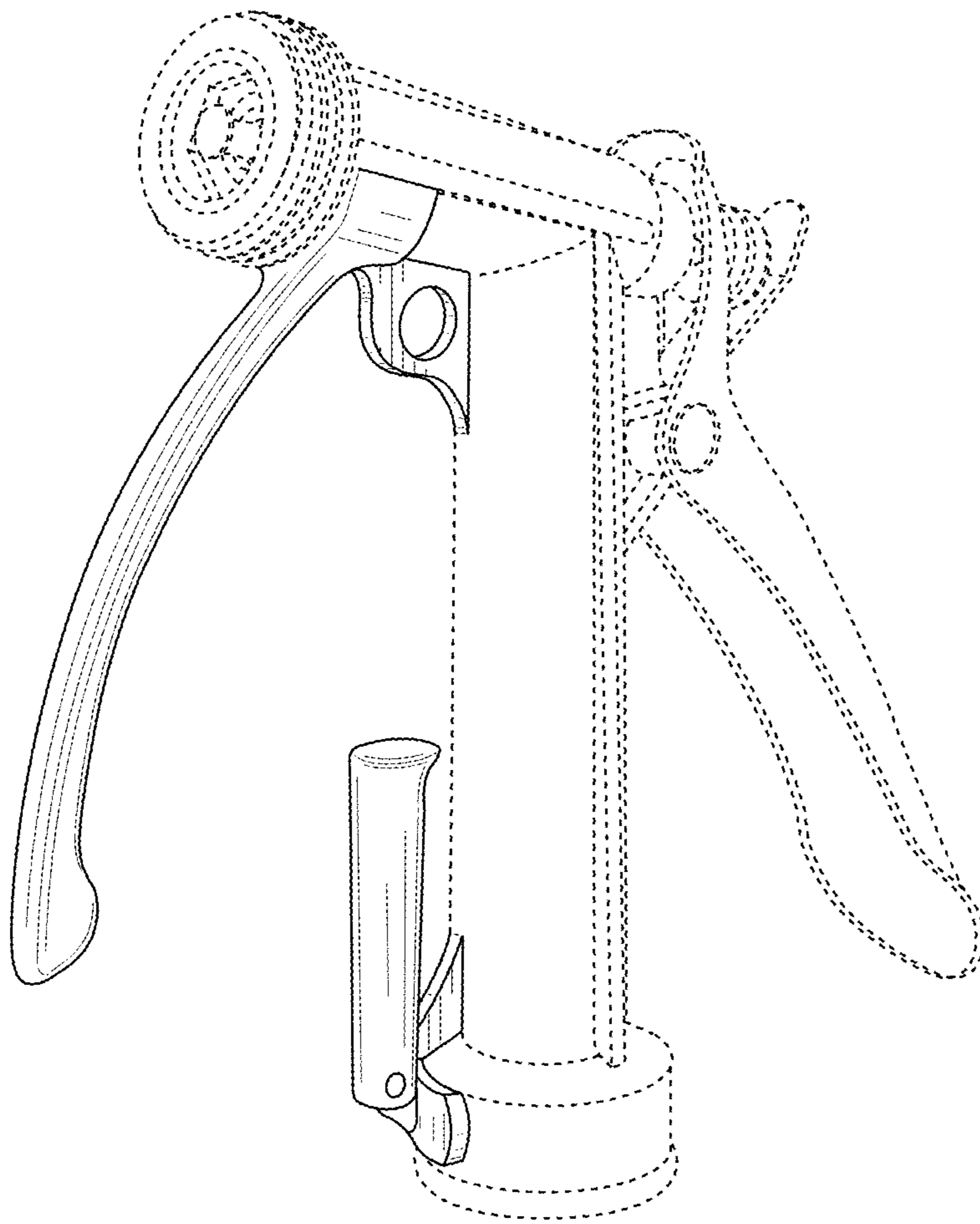


FIG. 5