



US00D764022S

(12) **United States Design Patent**
Lai

(10) **Patent No.:** **US D764,022 S**

(45) **Date of Patent:** **** Aug. 16, 2016**

(54) **PORTABLE OIL DRUM**

(56) **References Cited**

(71) Applicant: **SHIANG YU PLASTIC INDUSTRIAL CO., LTD.**, Changhua (TW)

U.S. PATENT DOCUMENTS

(72) Inventor: **Kuan-Yu Lai**, Changhua (TW)

D210,569 S *	3/1968	Kelly	D9/528
D225,101 S *	11/1972	Marchetti	D9/527
D270,237 S *	8/1983	Hestehave	D9/524
D365,520 S *	12/1995	Luther	D23/211.2
D497,313 S *	10/2004	Glover	D23/211.2
D516,434 S *	3/2006	McGuire	D9/524
D528,423 S *	9/2006	Glover	D9/524
D732,393 S *	6/2015	Senus	D9/528

(73) Assignee: **SHIANG YU PLASTIC INDUSTRIAL CO., LTD.**, Changhua (TW)

* cited by examiner

(**) Term: **14 Years**

Primary Examiner — Keli L Hill

(21) Appl. No.: **29/520,523**

(74) *Attorney, Agent, or Firm* — Jackson IPG PLLC; Demian K. Jackson

(22) Filed: **Mar. 16, 2015**

(51) **LOC (10) Cl.** **23-01**

(57) **CLAIM**

The ornamental design for a portable oil drum, as shown.

(52) **U.S. Cl.**

DESCRIPTION

USPC **D23/211.2**

(58) **Field of Classification Search**

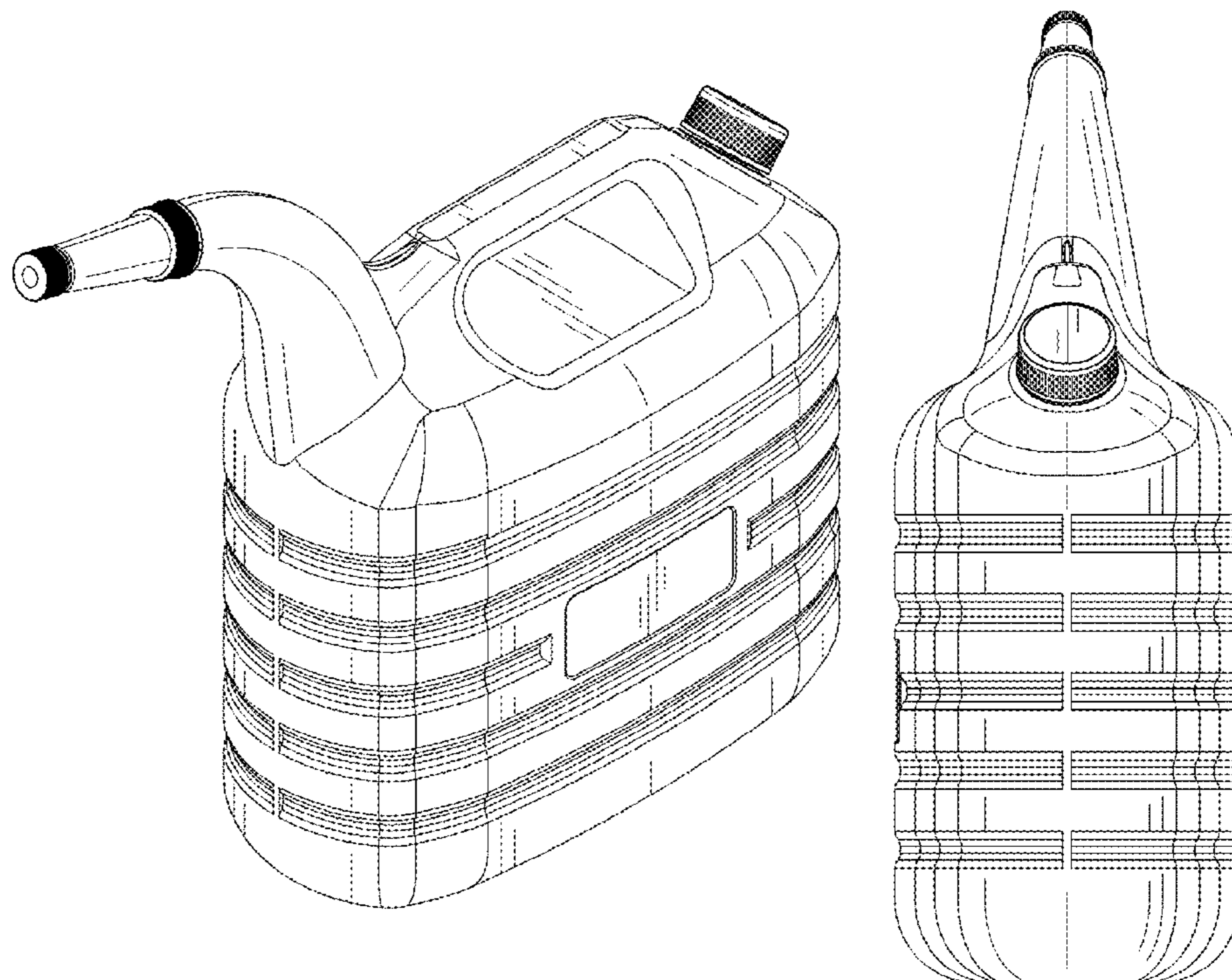
USPC D9/500, 516, 530, 763–783, 527, 528, D9/531, 533–535, 547; 215/381–385; 220/660, 669, 675; D23/211.1, 211.2, D23/212; D12/218

CPC B21D 51/26; B21D 51/383; B29C 66/71; B65D 1/40; B65D 1/0223; B65D 1/0246; B65D 17/163; B65D 17/165; B65D 25/00; B65D 2215/02; B65D 2517/0094; B65D 2519/00502; B65D 2543/00296; Y10T 29/49826

FIG. 1 is a front view of a portable oil drum showing my new design;
FIG. 2 is a rear view thereof;
FIG. 3 is a left view thereof;
FIG. 4 is a right view thereof;
FIG. 5 is a top view thereof;
FIG. 6 is a bottom view thereof; and,
FIG. 7 is a perspective view thereof.
Those portions of the illustrated design illustrated by broken lines form no part of the claimed design.

See application file for complete search history.

1 Claim, 7 Drawing Sheets



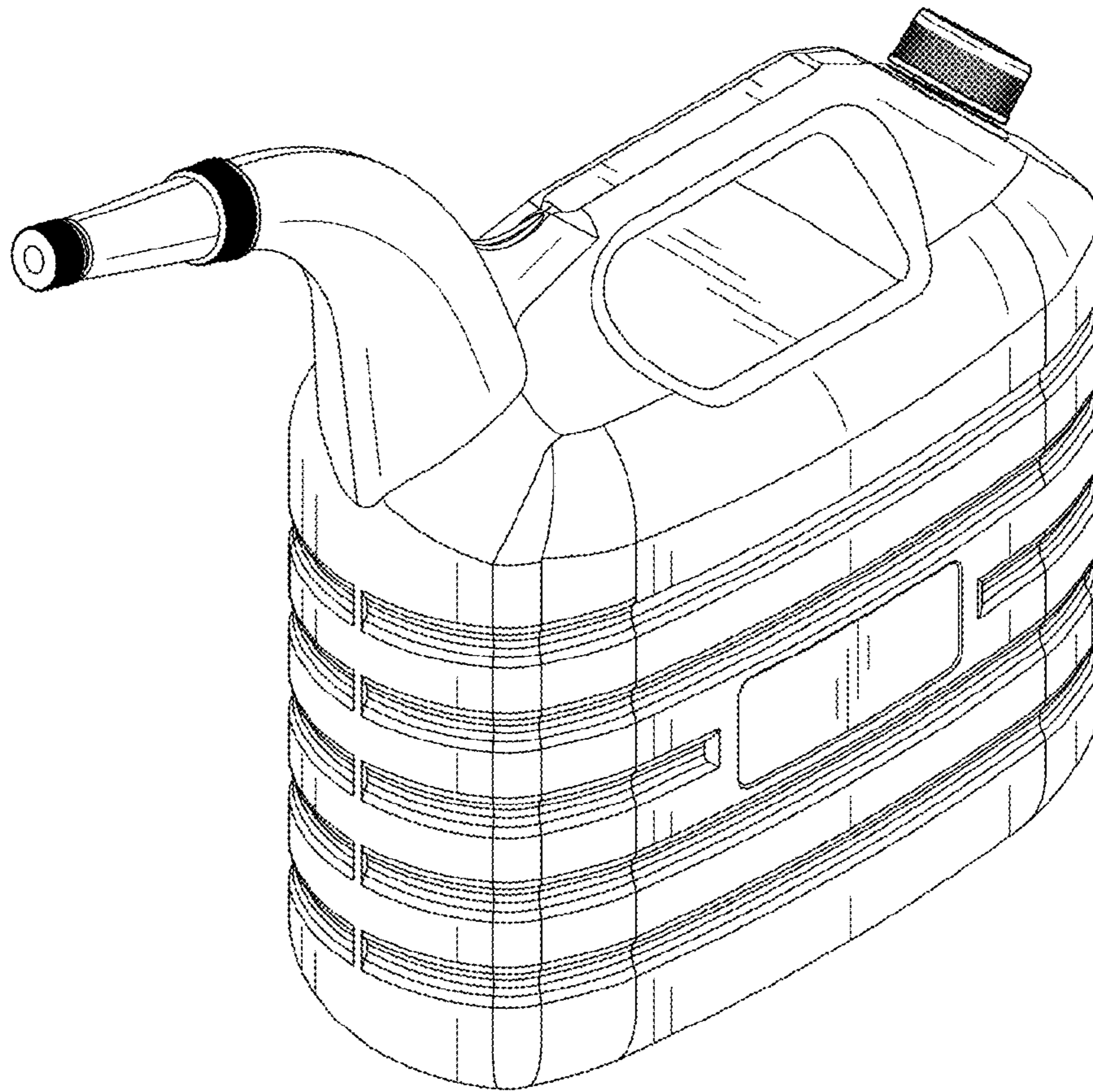


FIG. 1

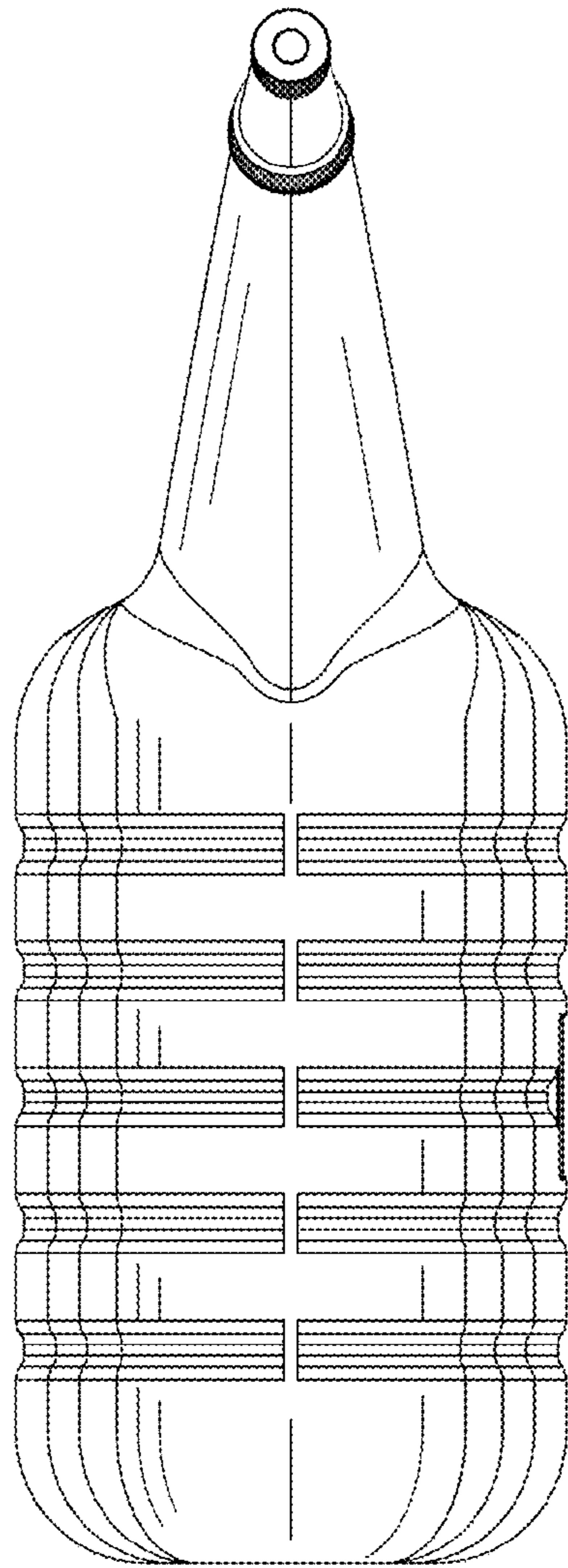


FIG. 2

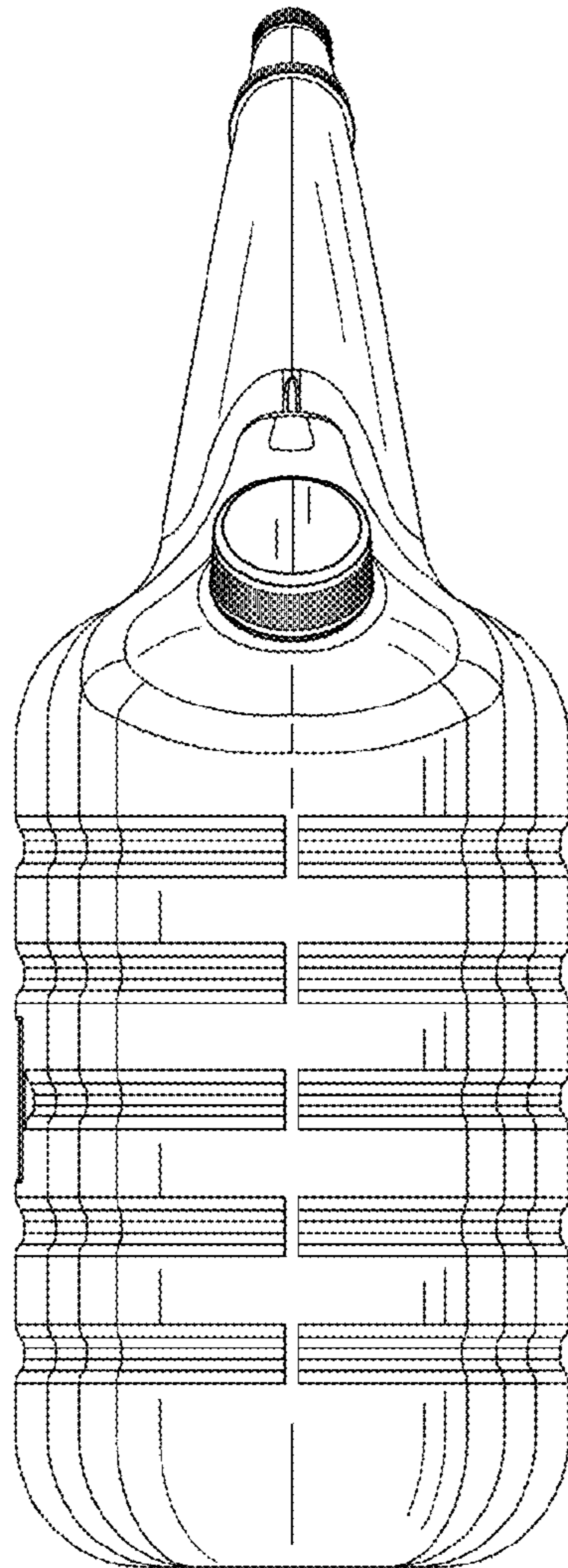


FIG. 3

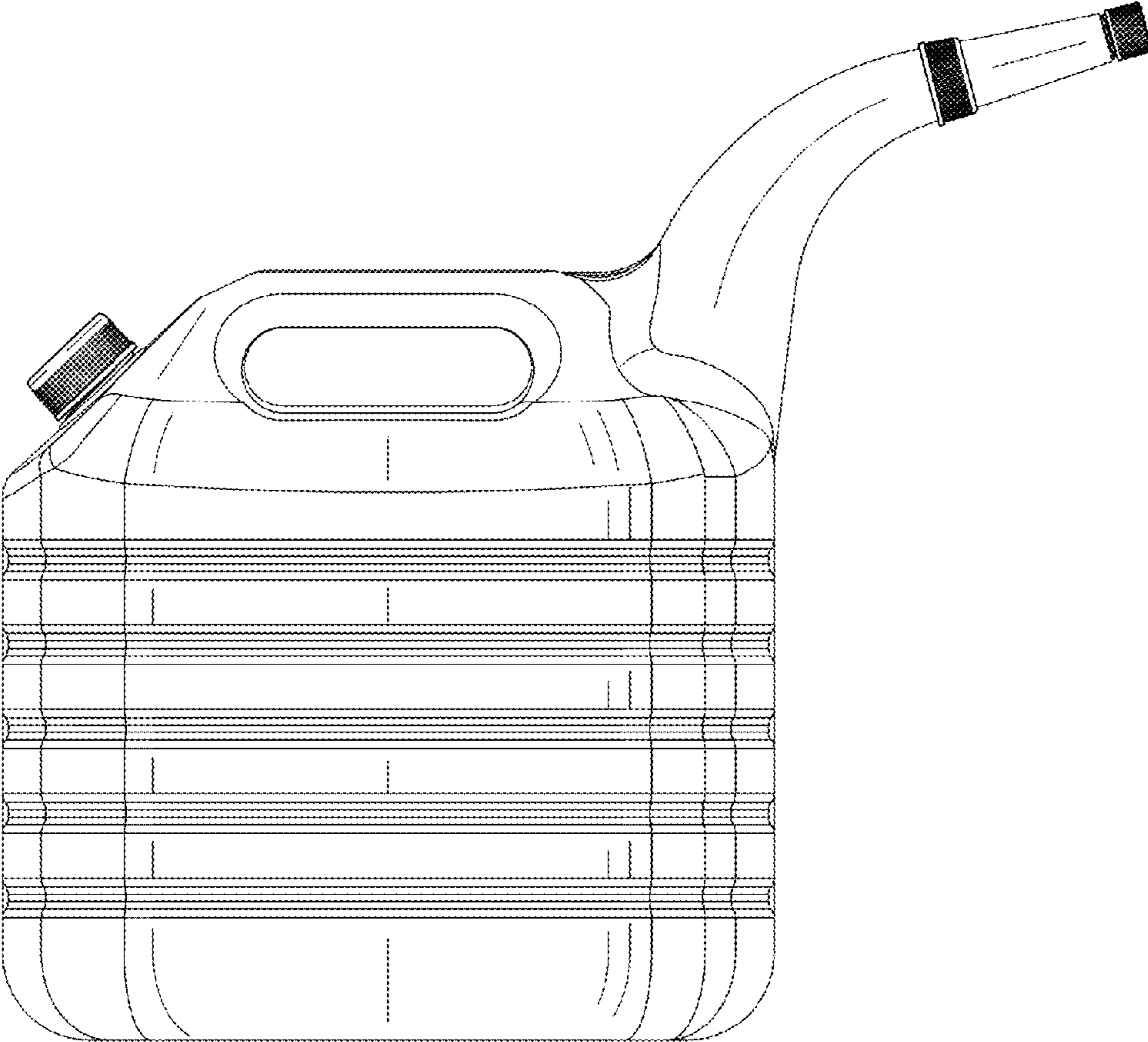


FIG. 4

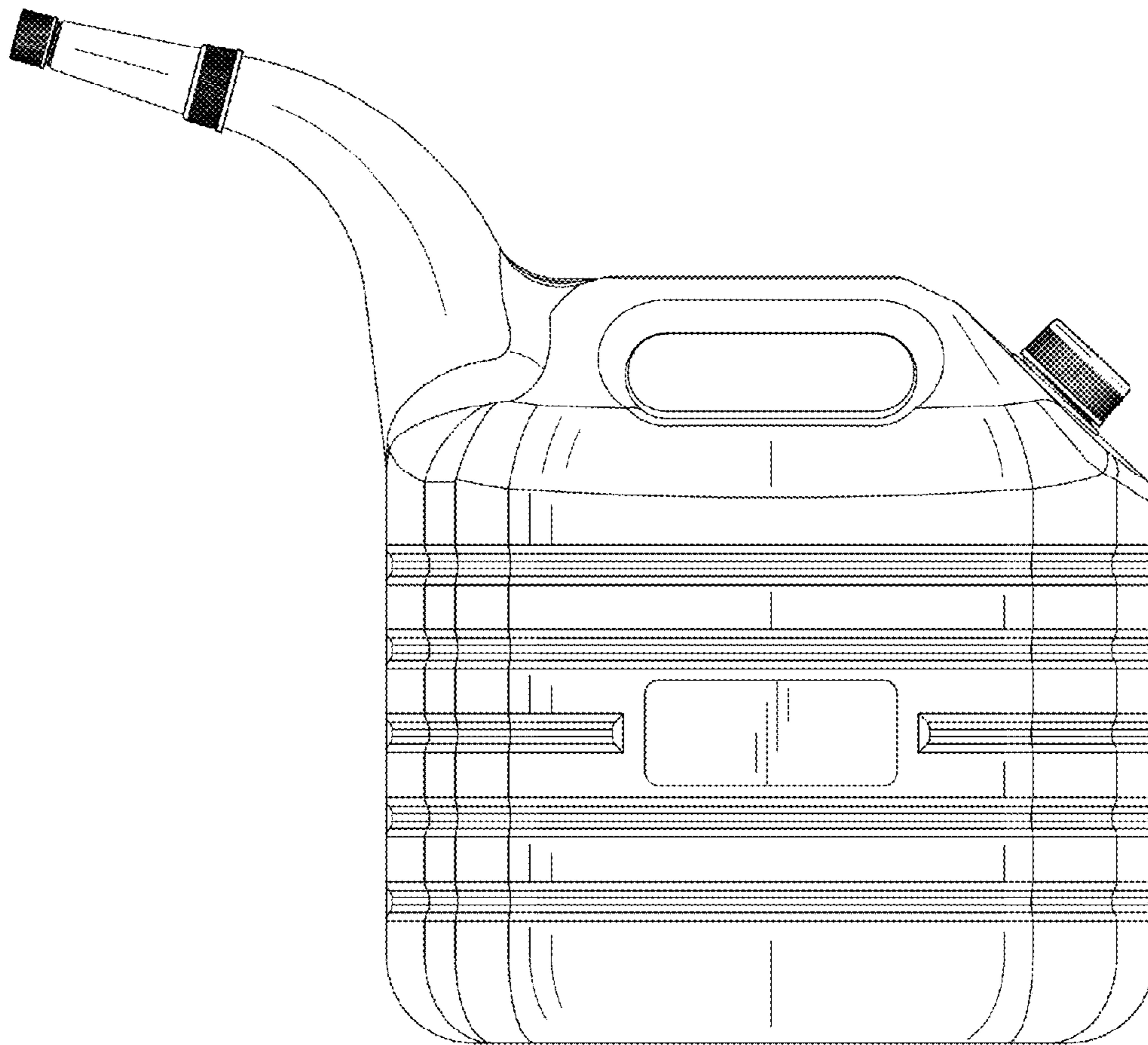


FIG. 5

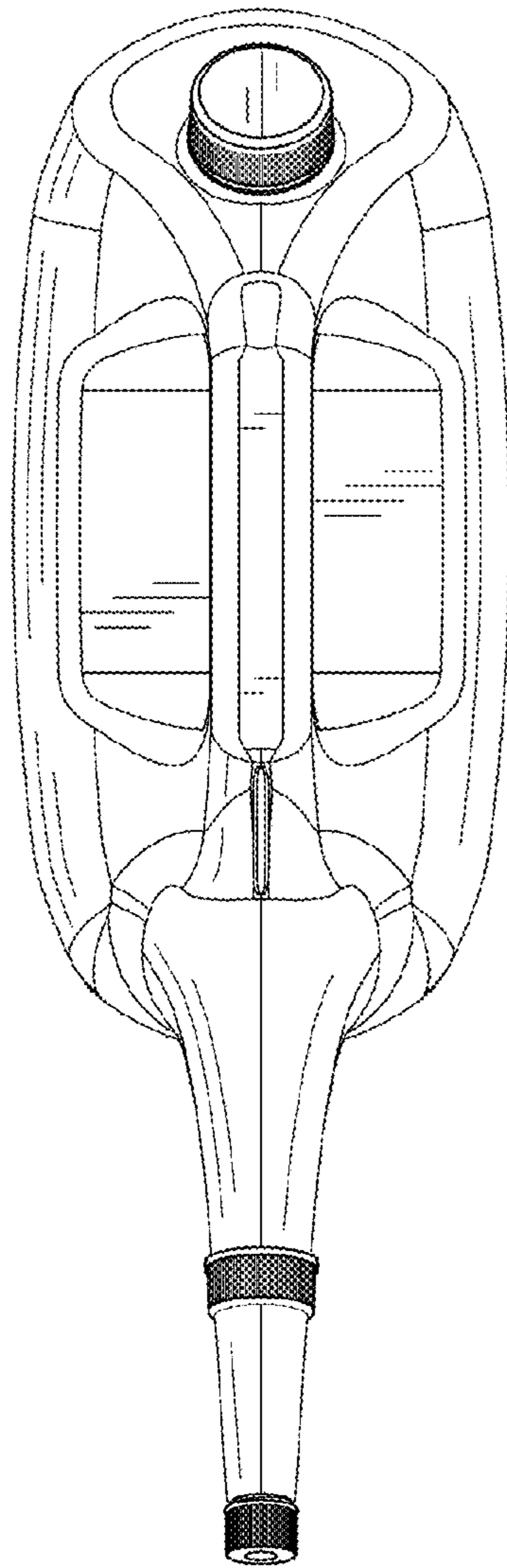


FIG. 6

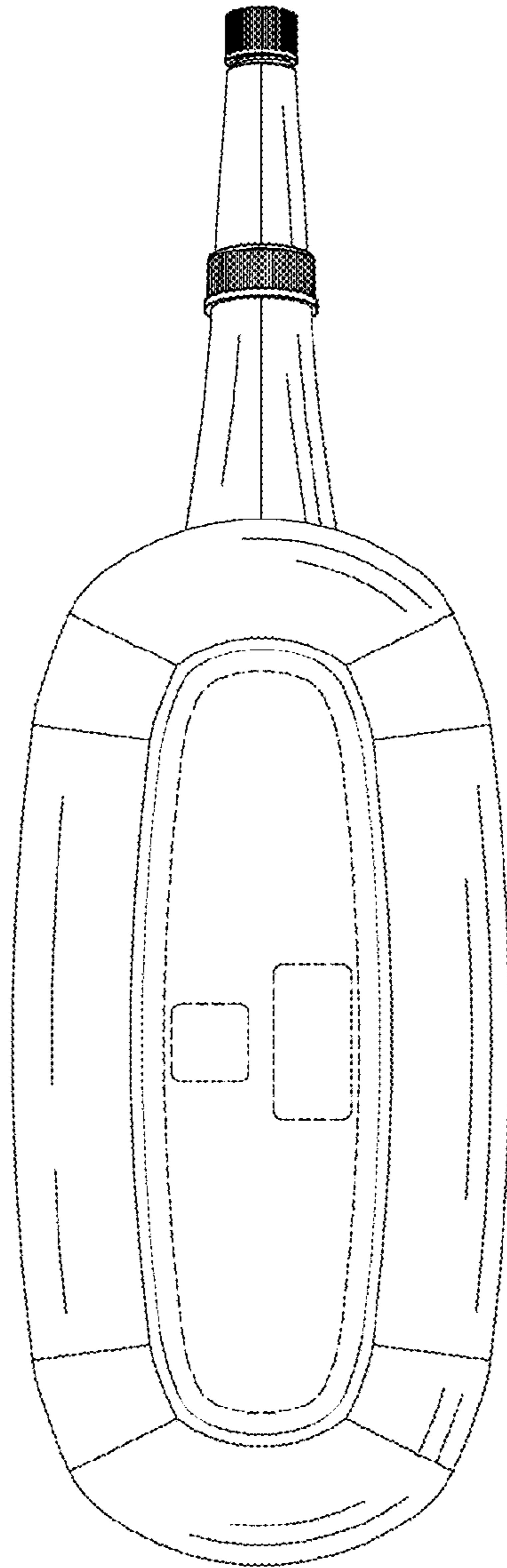


FIG. 7