



US00D764021S

(12) **United States Design Patent**
Lu

(10) **Patent No.:** **US D764,021 S**
(45) **Date of Patent:** **** Aug. 16, 2016**

(54) **FITTING SECTION OF A WATER FILTER**

(71) Applicant: **Red Origen LLC**, Plano, TX (US)

(72) Inventor: **Qiang Lu**, Ningbo Yinzhou (CN)

(73) Assignee: **Red Origen, LLC**, Plano, TX (US)

(**) Term: **14 Years**

(21) Appl. No.: **29/521,987**

(22) Filed: **Mar. 26, 2015**

(51) **LOC (10) Cl.** **23-01**

(52) **U.S. Cl.**
USPC **D23/209**

(58) **Field of Classification Search**

USPC D23/207, 209; 210/232, 234, 236, 418,
210/493.2; 285/360, 361
CPC B01D 35/30; B01D 35/153; B01D 35/157
See application file for complete search history.

(56) **References Cited**

U.S. PATENT DOCUMENTS

D243,767 S	3/1977	Rutherford	
D269,294 S	6/1983	Rakocy et al.	
D285,606 S	9/1986	Christopherson	
4,929,354 A *	5/1990	Meyering	B01D 63/061 210/321.61
D322,836 S *	12/1991	Petrucci	D23/209
D356,625 S *	3/1995	Petrucci	D23/209
D384,128 S	9/1997	Scott	
D388,500 S	12/1997	Burchard et al.	
5,727,739 A *	3/1998	Hamilton	F16L 37/244 239/600
5,826,854 A	10/1998	Janvrin et al.	
D407,008 S	3/1999	Scott	
D433,094 S *	10/2000	Magnusson	D23/209
D439,304 S	3/2001	Tilp et al.	
RE37,216 E	6/2001	Koslow	
D448,448 S	9/2001	Hughes et al.	
6,325,929 B1 *	12/2001	Bassett	B01D 61/18 210/238

(Continued)

OTHER PUBLICATIONS

Photos of Electrolux water filter for a refrigerator, 2 pages, date unknown.

(Continued)

Primary Examiner — Robin V Webster

(74) *Attorney, Agent, or Firm* — Elizabeth Philip Dahm; Kelly J. Kubasta; Ferguson, Braswell & Fraser, PC

(57) **CLAIM**

The ornamental design for a fitting section of a water filter, as shown and described.

DESCRIPTION

FIG. 1 illustrates a front perspective view of a fitting section of a water filter.

FIG. 2 illustrates a front view of the fitting section illustrated in FIG. 1.

FIG. 3 illustrates a back view of the fitting section illustrated in FIG. 1.

FIG. 4 illustrates a first side view of the fitting section illustrated in FIG. 1.

FIG. 5 illustrates a second side view of the fitting section illustrated in FIG. 1.

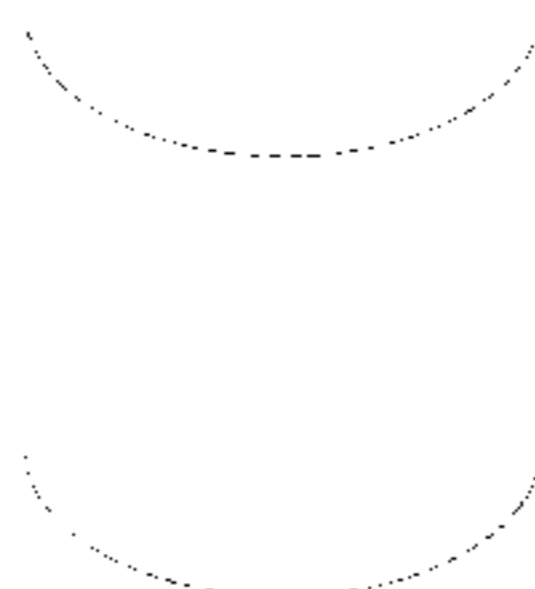
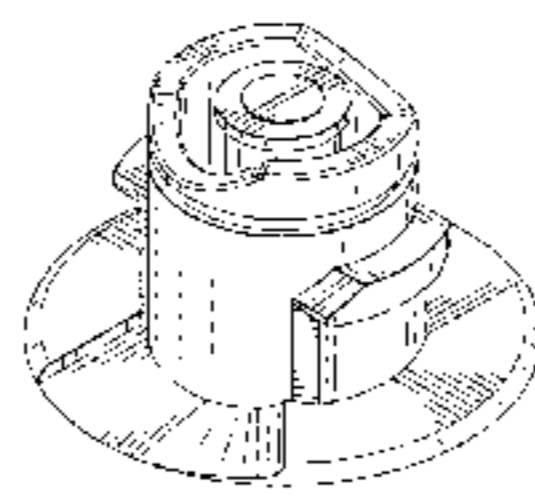
FIG. 6 illustrates a top view of the fitting section illustrated in FIG. 1.

FIG. 7 illustrates a top perspective view of the fitting section on an implementation of a water filter; and,

FIG. 8 illustrates a bottom perspective view of the fitting section on the implementation of the water filter illustrated in FIG. 7.

The broken lines, when present in the drawings, represent portions of the water filter. The broken lines are for the purpose of illustrating the environment of the design and form no part of the claimed design. The surface shading lines, when present in the drawings, show contour and/or distinguish between open and solid areas. The surface shading lines are not surface ornamentation. The design is not limited to the scale shown herein.

1 Claim, 5 Drawing Sheets



(56)

References Cited

U.S. PATENT DOCUMENTS

D472,604 S * 4/2003 Fritze D23/209
 D493,207 S 7/2004 Ueda et al.
 D494,654 S * 8/2004 Macaulay D23/209
 7,000,894 B2 2/2006 Olson et al.
 7,147,773 B2 12/2006 Mitchell et al.
 7,186,338 B2 * 3/2007 Boisvert B01D 29/96
 210/232
 D541,371 S * 4/2007 McKay D23/209
 D546,412 S 7/2007 Kennedy et al.
 D547,825 S 7/2007 Kennedy et al.
 7,238,278 B2 7/2007 Coffey et al.
 D548,306 S 8/2007 Kennedy et al.
 D554,734 S * 11/2007 Yamamoto D23/205
 D555,225 S * 11/2007 McCormack D23/205
 7,387,725 B2 6/2008 Choi et al.
 7,407,148 B2 8/2008 Bassett et al.
 D599,880 S * 9/2009 Rampen D23/209
 7,610,932 B2 11/2009 Olson et al.
 D621,001 S 8/2010 Maziel et al.
 D636,458 S * 4/2011 Born D23/209
 D642,657 S 8/2011 Cumberland et al.
 D642,658 S 8/2011 Cumberland et al.
 7,988,853 B2 8/2011 Tsai
 D645,935 S 9/2011 Kulikov et al.
 D650,886 S 12/2011 Bridges et al.
 D656,578 S 3/2012 Sherman et al.
 D656,579 S 3/2012 Sherman et al.
 D656,580 S 3/2012 Sherman et al.
 8,173,018 B2 5/2012 Burr et al.
 D673,242 S 12/2012 Rowe
 8,354,024 B2 1/2013 Ihle et al.
 D679,779 S * 4/2013 Reid D23/209
 8,562,831 B2 * 10/2013 Bors B01D 35/306
 210/232

8,580,560 B1 * 11/2013 Ellis B01D 15/165
 210/232
 D698,005 S 1/2014 Rowe
 D702,318 S 4/2014 Stanley et al.
 8,741,137 B2 * 6/2014 Ruprecht B01D 35/30
 210/232
 D708,749 S 7/2014 Appling et al.
 D712,007 S 8/2014 Reid
 8,844,307 B2 9/2014 Krause et al.
 D733,871 S 7/2015 Wilcox et al.
 2004/0129624 A1 7/2004 Hamlin et al.
 2010/0275633 A1 11/2010 An et al.
 2013/0168303 A1 7/2013 Appling et al.
 2014/0217003 A1 8/2014 Huda et al.

OTHER PUBLICATIONS

Photos of General Electric water filter for a refrigerator, 3 pages, date unknown.
 Photos of Whirlpool water filter for a refrigerator, 3 pages, date unknown.
 U.S. Appl. No. 29/503,738 entitled "Water Filter Fittings" filed Sep. 29, 2014.
 U.S. Appl. No. 29/521,968 entitled "Water Filter Fitting" filed Mar. 26, 2015.
 U.S. Appl. No. 29/501,589 entitled "Interchangeable Water Filter Bases or Portion" filed Sep. 5, 2014.
 U.S. Appl. No. 29/531,263 entitled "Fitting Section of a Water Filter" filed Jun. 24, 2015.
 U.S. Appl. No. 29/536,380 entitled "Water Filter Fitting Section" filed Aug. 17, 2015.
 U.S. Appl. No. 29/536,443 entitled "Water Filter Fitting" filed Aug. 17, 2015.

* cited by examiner

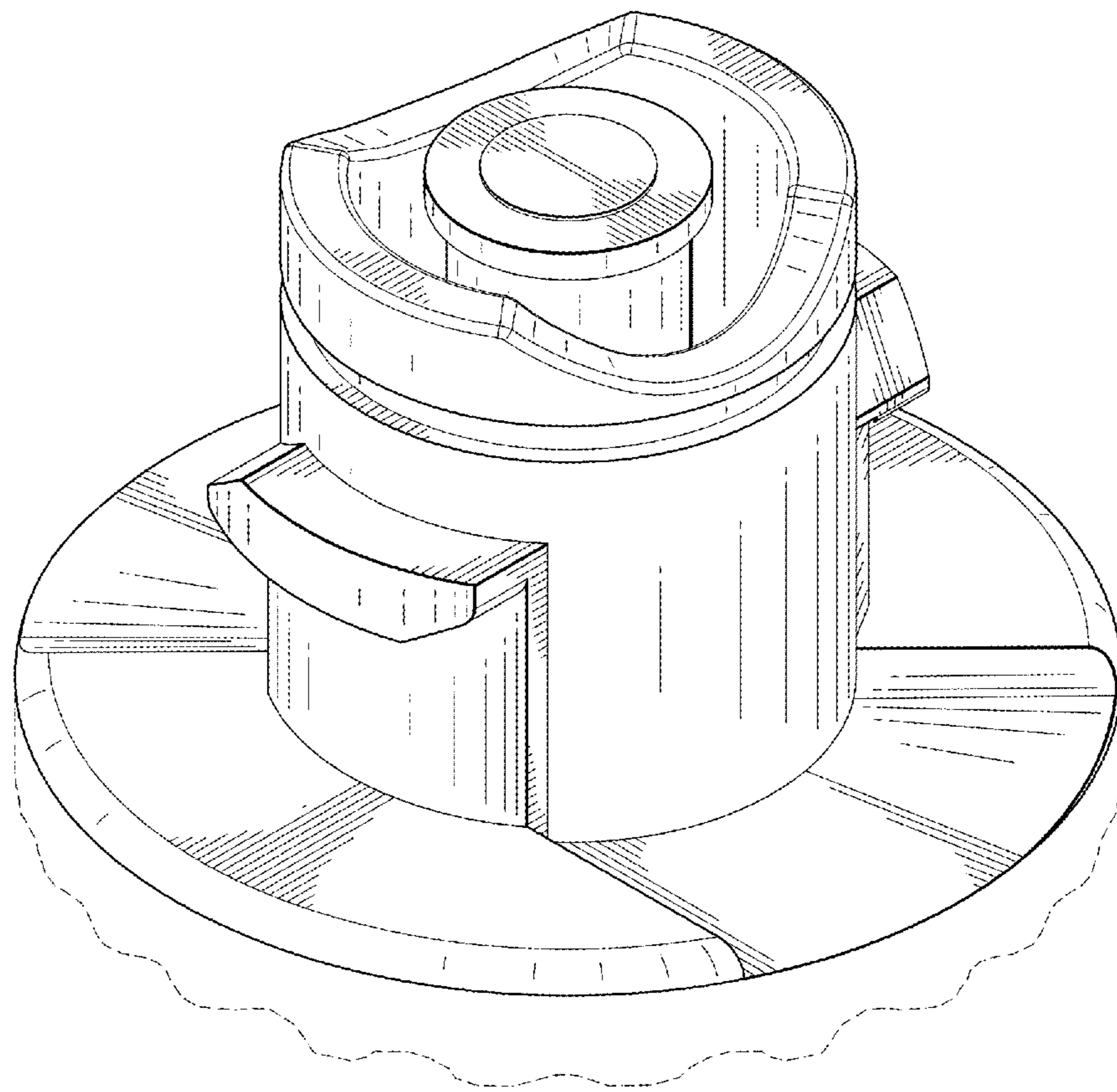


FIG. 1

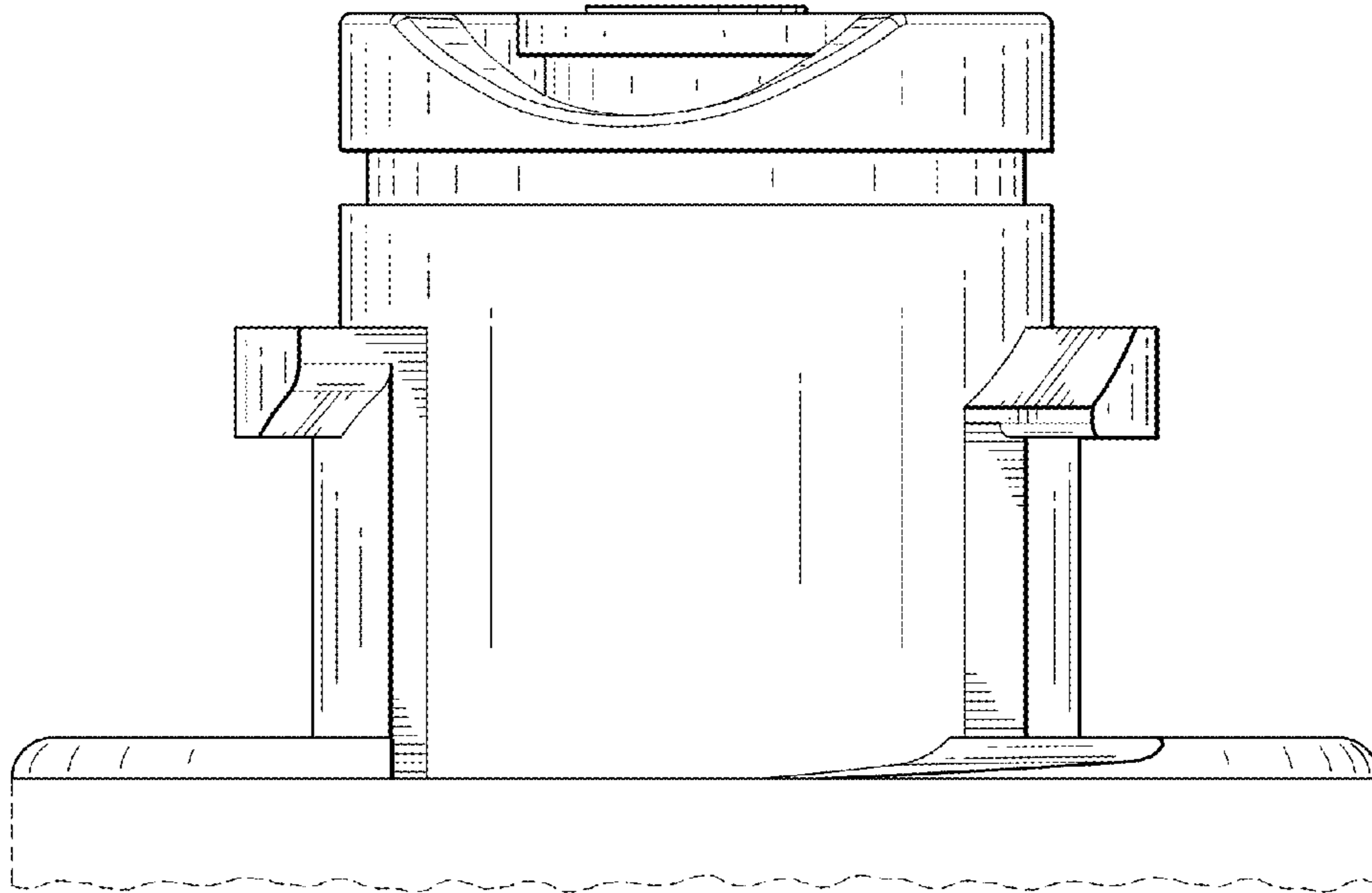


FIG. 2

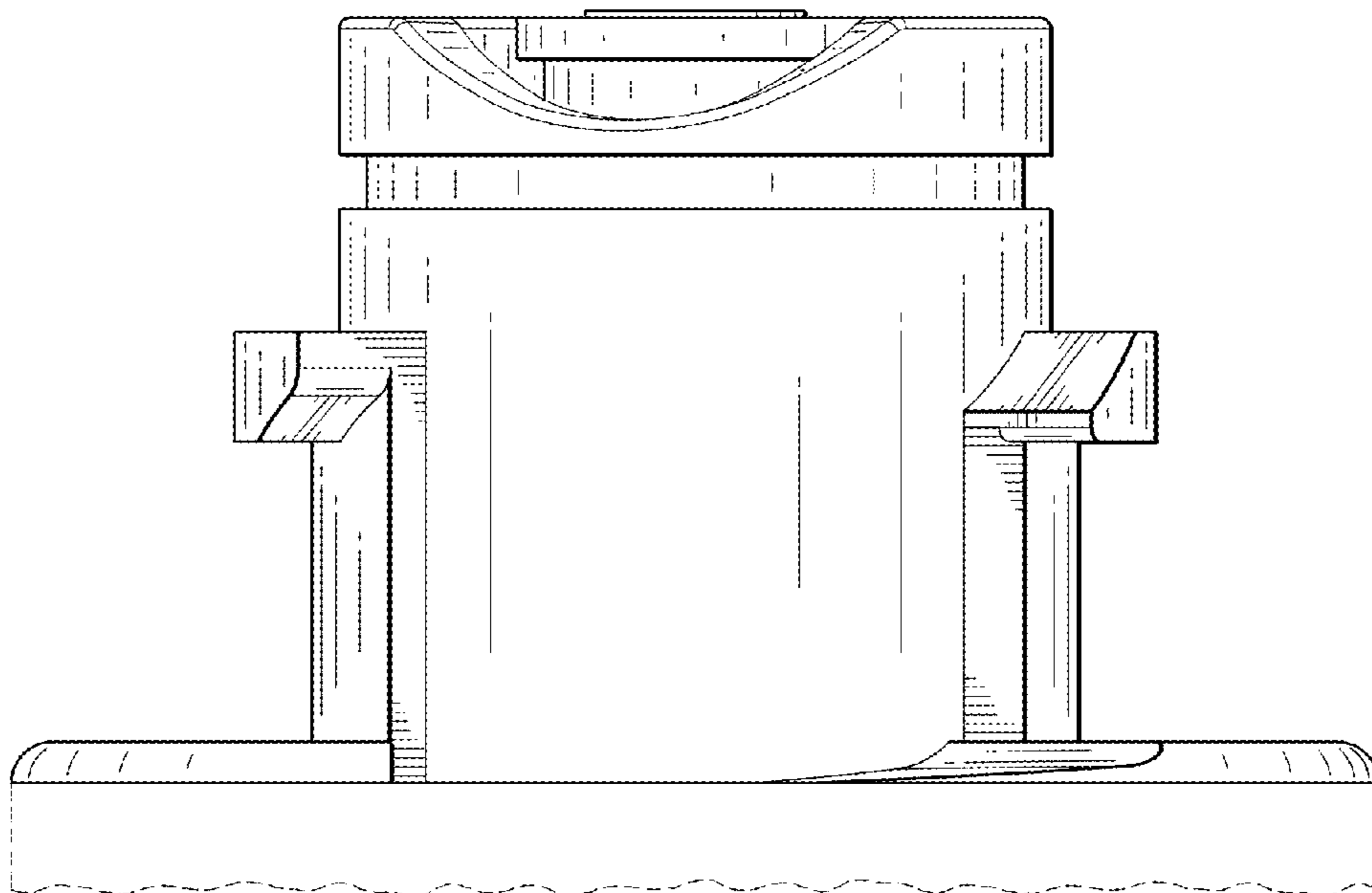


FIG. 3

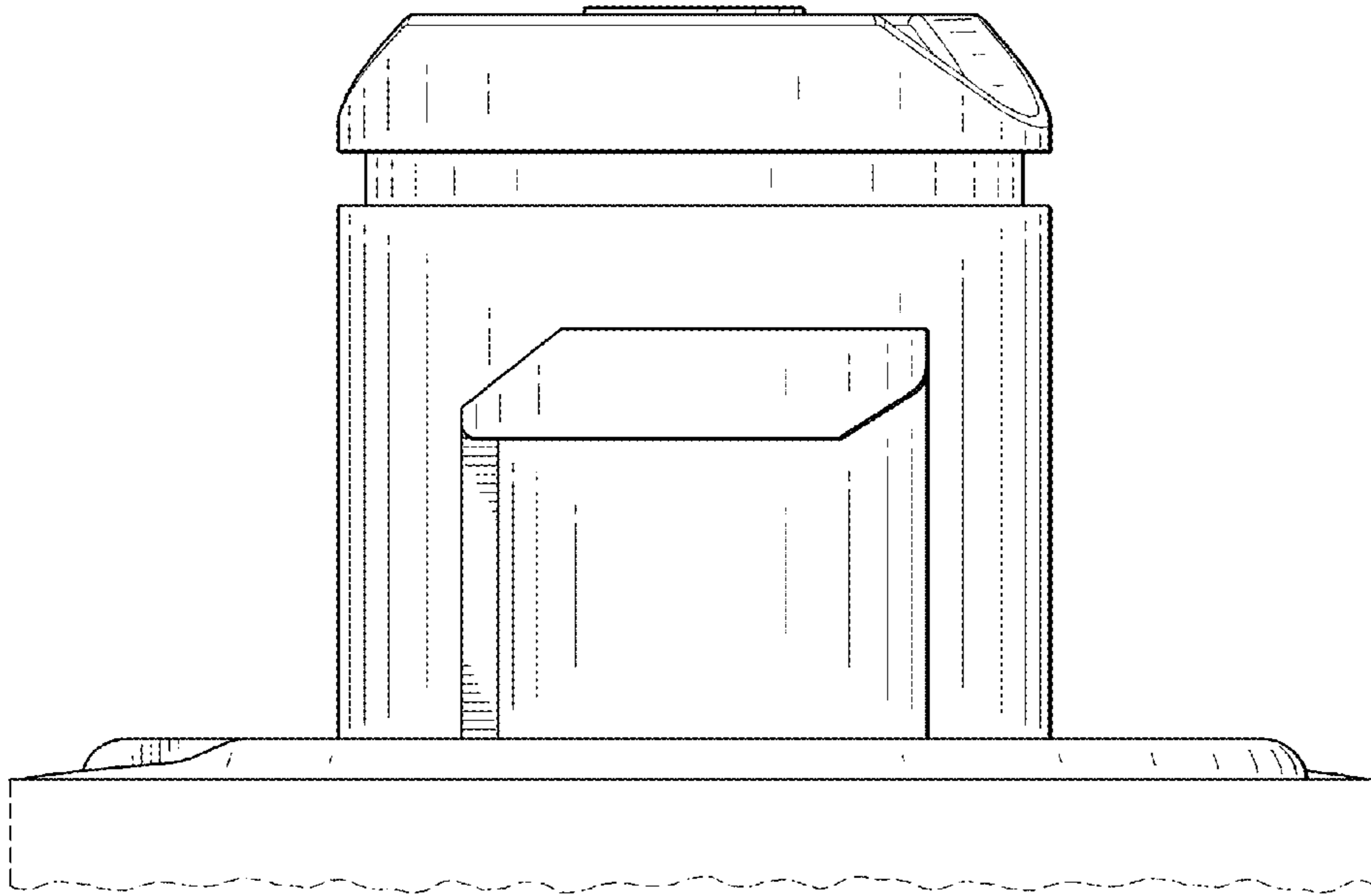


FIG. 4

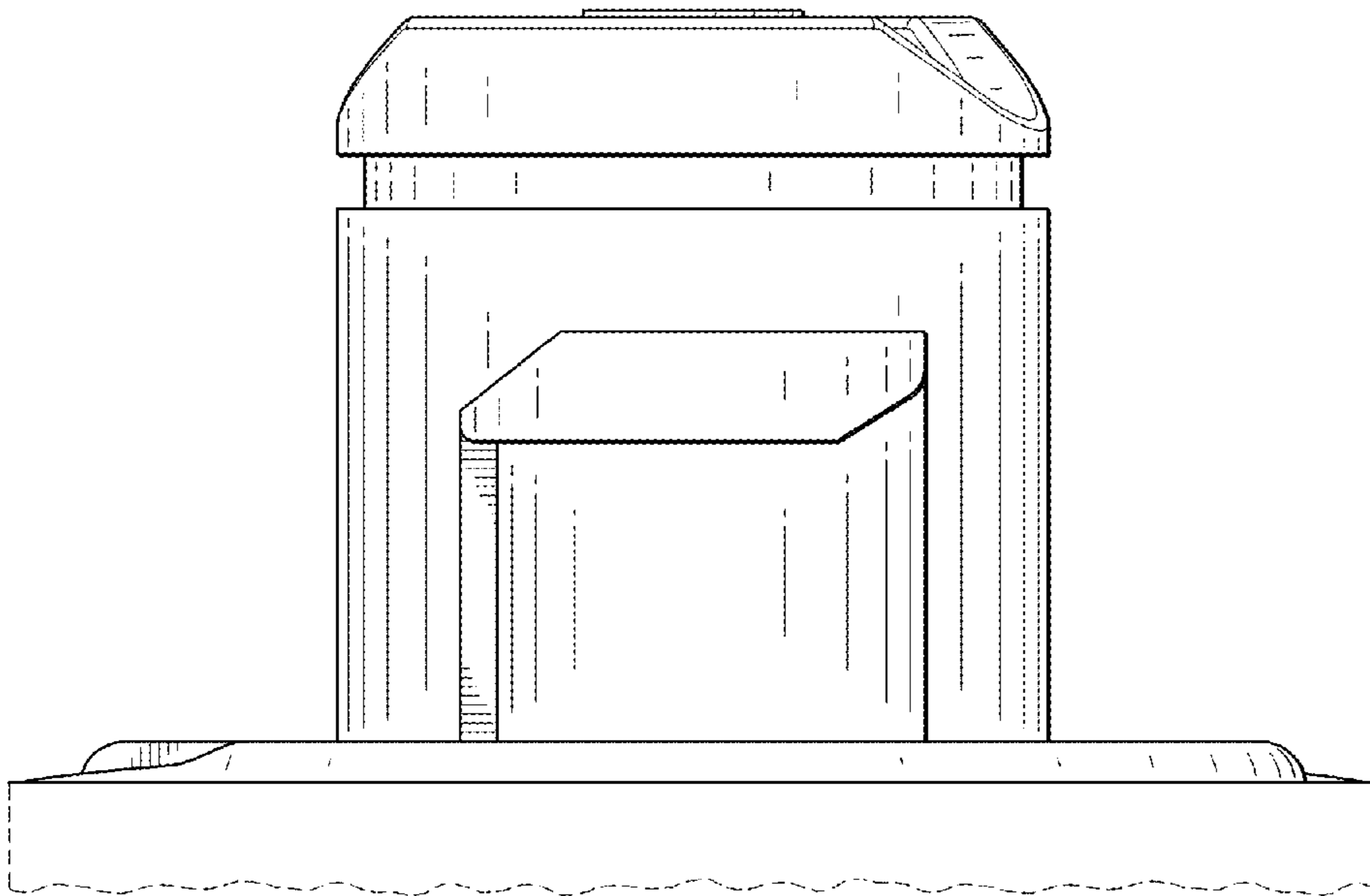


FIG. 5

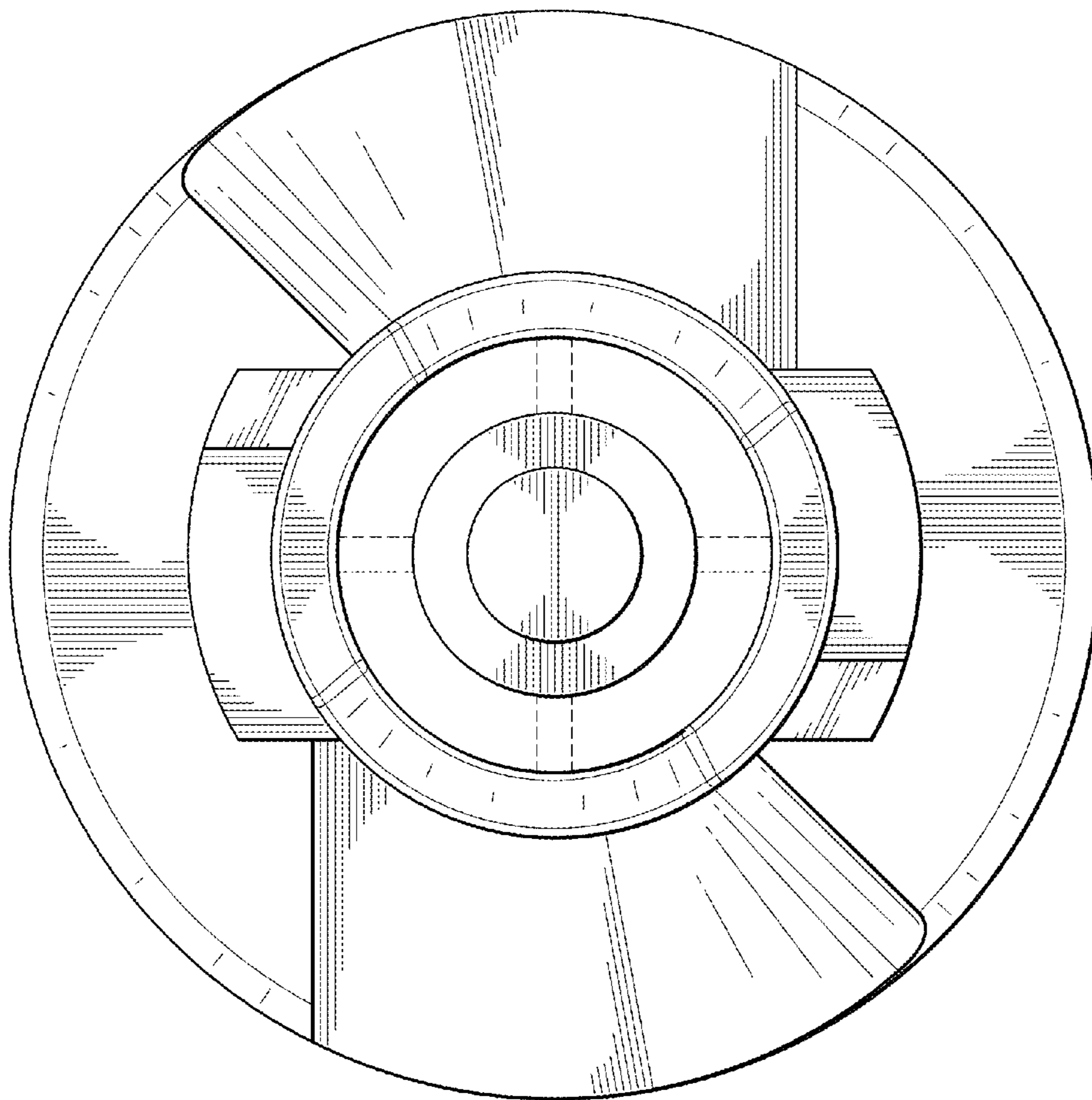


FIG. 6

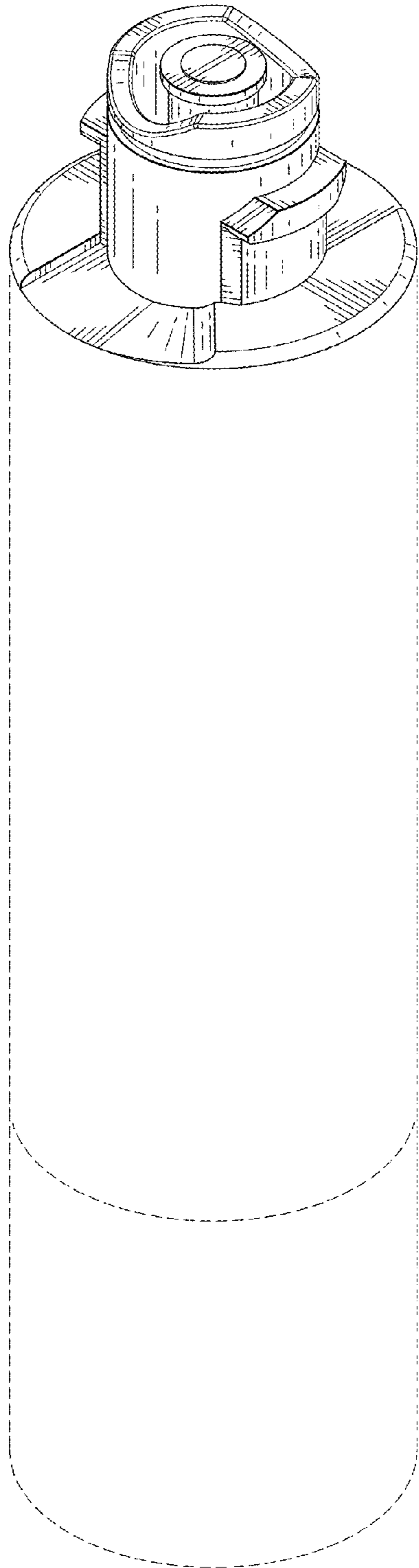


FIG. 7

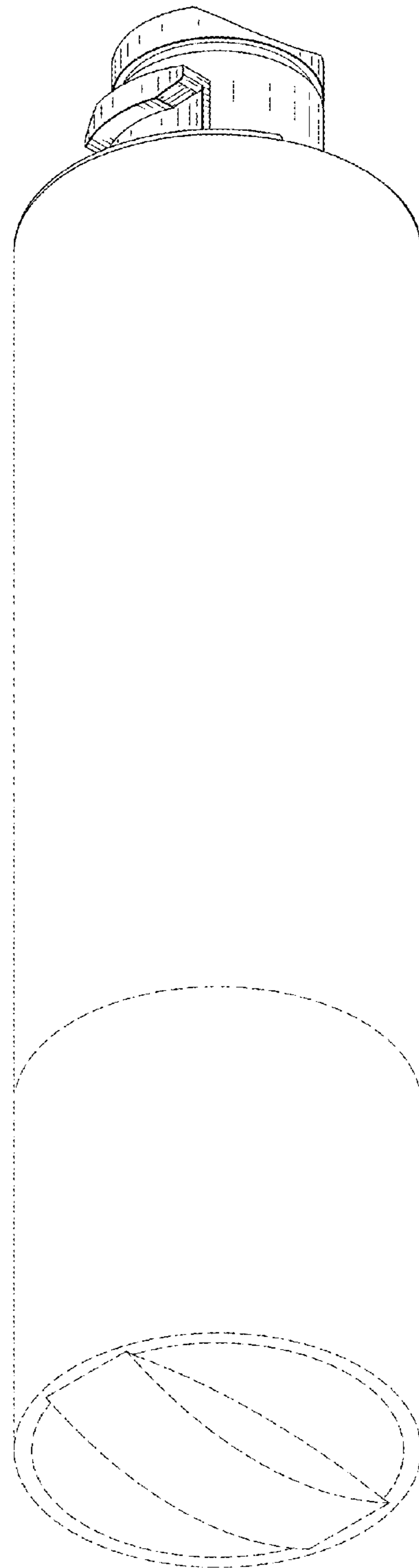


FIG. 8