



US00D764018S

(12) **United States Design Patent**  
**Biltoft et al.**

(10) **Patent No.:** **US D764,018 S**

(45) **Date of Patent:** **\*\* \*Aug. 16, 2016**

(54) **FILTRATION HEADER**

(71) Applicant: **EVOQUA WATER TECHNOLOGIES LLC**, Warrendale, PA (US)

(72) Inventors: **Bruce Gregory Biltoft**, Chatsworth (AU); **Huw Alexander Lazaredes**, Woolloomooloo (AU); **Robert James McMahon**, Leichhardt (AU); **Tomasz Swiatek**, Baulkham Hills (AU); **Ying Hao Teo**, Carlingford (AU)

(73) Assignee: **Evoqua Water Technologies LLC**, Warrendale, PA (US)

(\*) Notice: This patent is subject to a terminal disclaimer.

(\*\*) Term: **14 Years**

(21) Appl. No.: **29/476,934**

(22) Filed: **Dec. 18, 2013**

(51) **LOC (10) Cl.** ..... **23-01**

(52) **U.S. Cl.**  
USPC ..... **D23/209**

(58) **Field of Classification Search**  
USPC ..... D23/207, 209, 210; 210/321.36, 210/321.79, 321.8, 321.88, 321.89, 323.2, 210/450  
CPC ..... B01D 63/02; B01D 63/04; B01D 63/06; B01D 63/046; B01D 2313/06; B01D 2313/26  
See application file for complete search history.

(56) **References Cited**

U.S. PATENT DOCUMENTS

5,194,149 A \* 3/1993 Selbie et al. .... 210/232  
5,891,333 A \* 4/1999 Ferguson ..... 210/232  
6,641,731 B1 \* 11/2003 Heilmann et al. .... 210/321.79  
7,264,716 B2 \* 9/2007 Johnson et al. .... 210/232

\* cited by examiner

*Primary Examiner* — Robin V Webster

(57) **CLAIM**

We claim the ornamental design for a filtration header, as shown and described.

**DESCRIPTION**

FIG. 1 is a plan view from front;  
FIG. 2 is a plan view from back;  
FIG. 3 is a plan view from left side;  
FIG. 4 is a plan view from right side;  
FIG. 5 is a plan view from top;  
Fig. 6 is a plan view from bottom;  
FIG. 7 is an isometric view from top right;  
FIG. 8 is an isometric view from bottom right;  
FIG. 9 is an isometric view from top left;  
FIG. 10 is an isometric view from bottom left;  
FIG. 11 is a top view; and,  
FIG. 12 is a cross-sectional view taken along line A-A in FIG. 11.

**1 Claim, 9 Drawing Sheets**

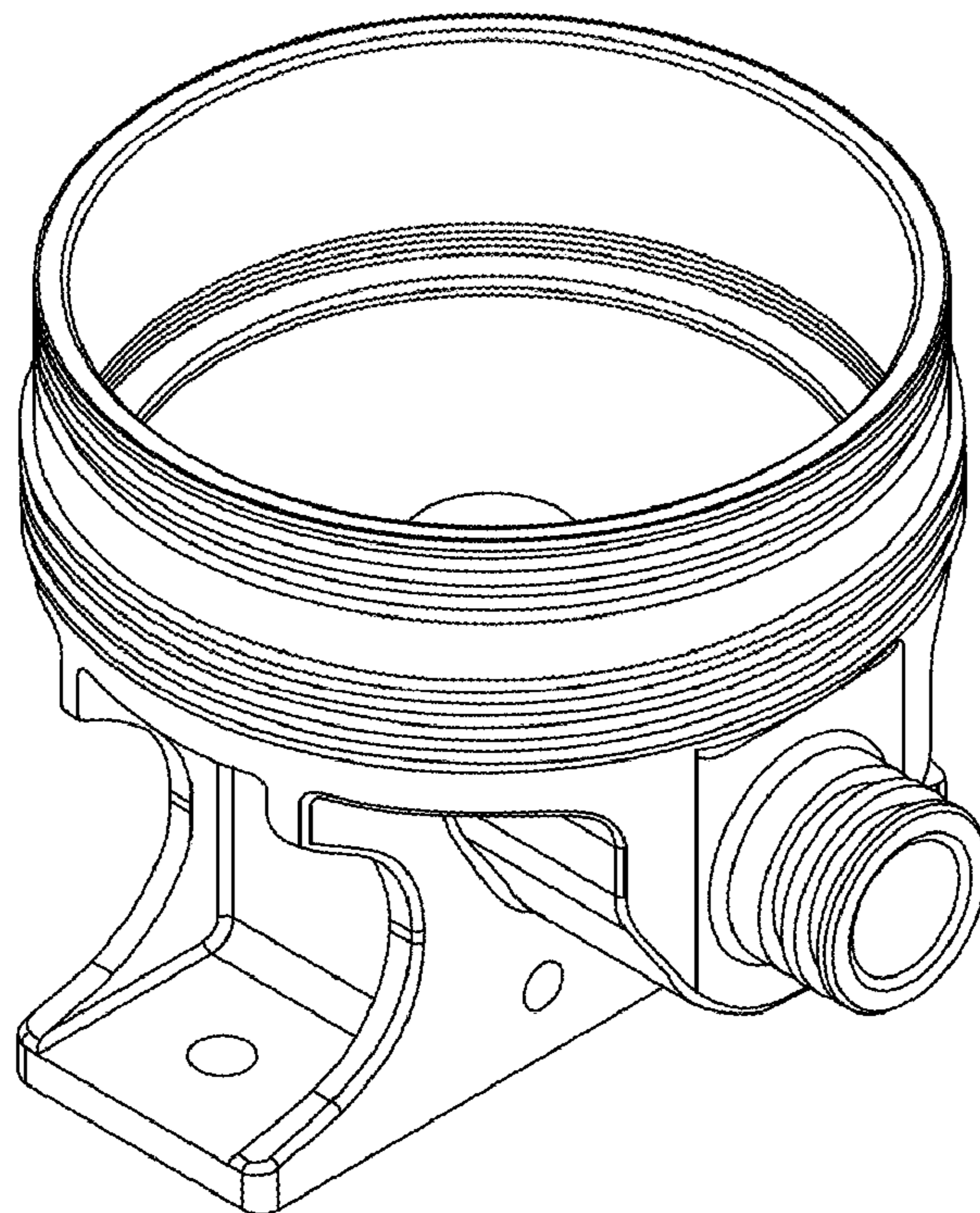


FIG. 1

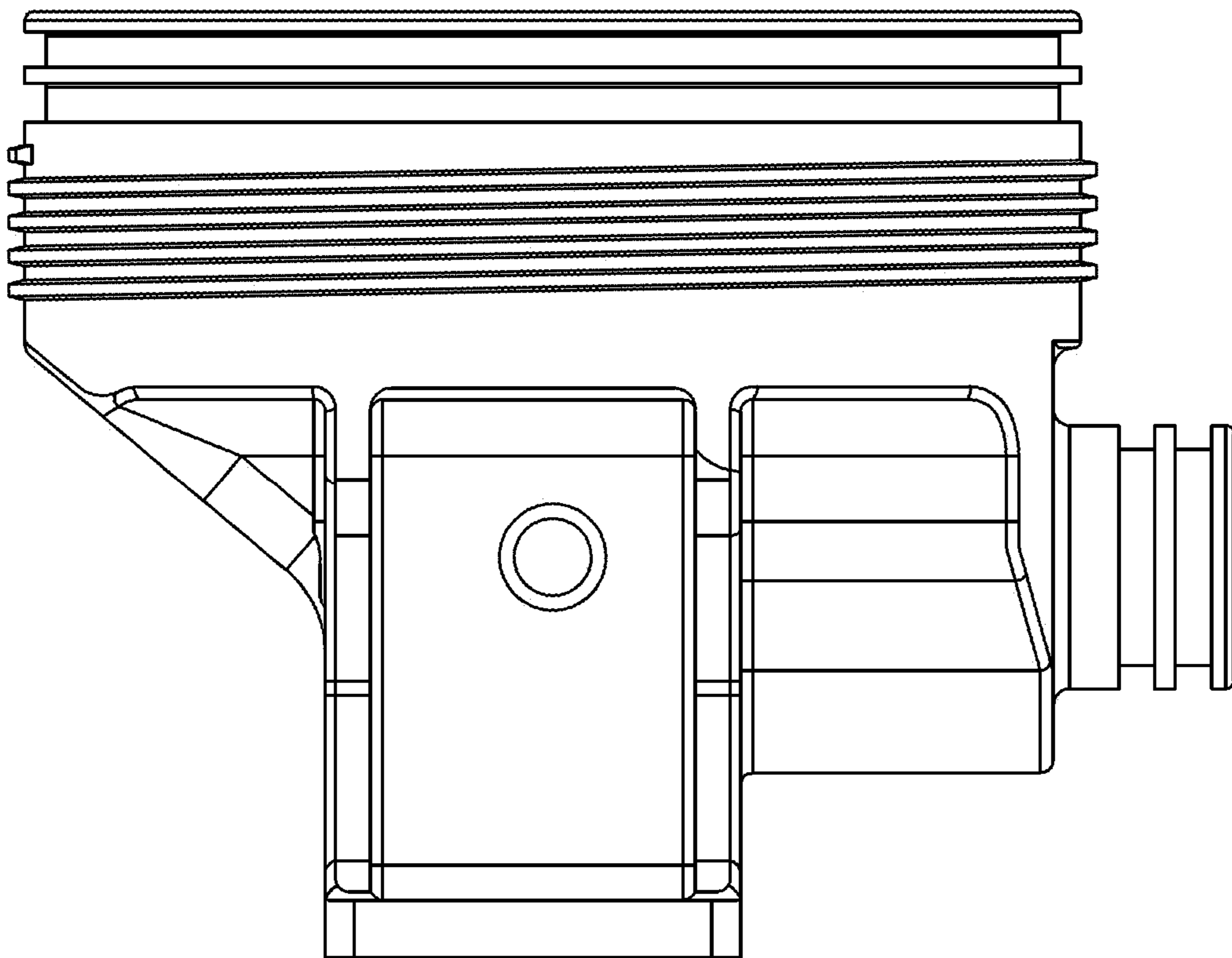


FIG. 2

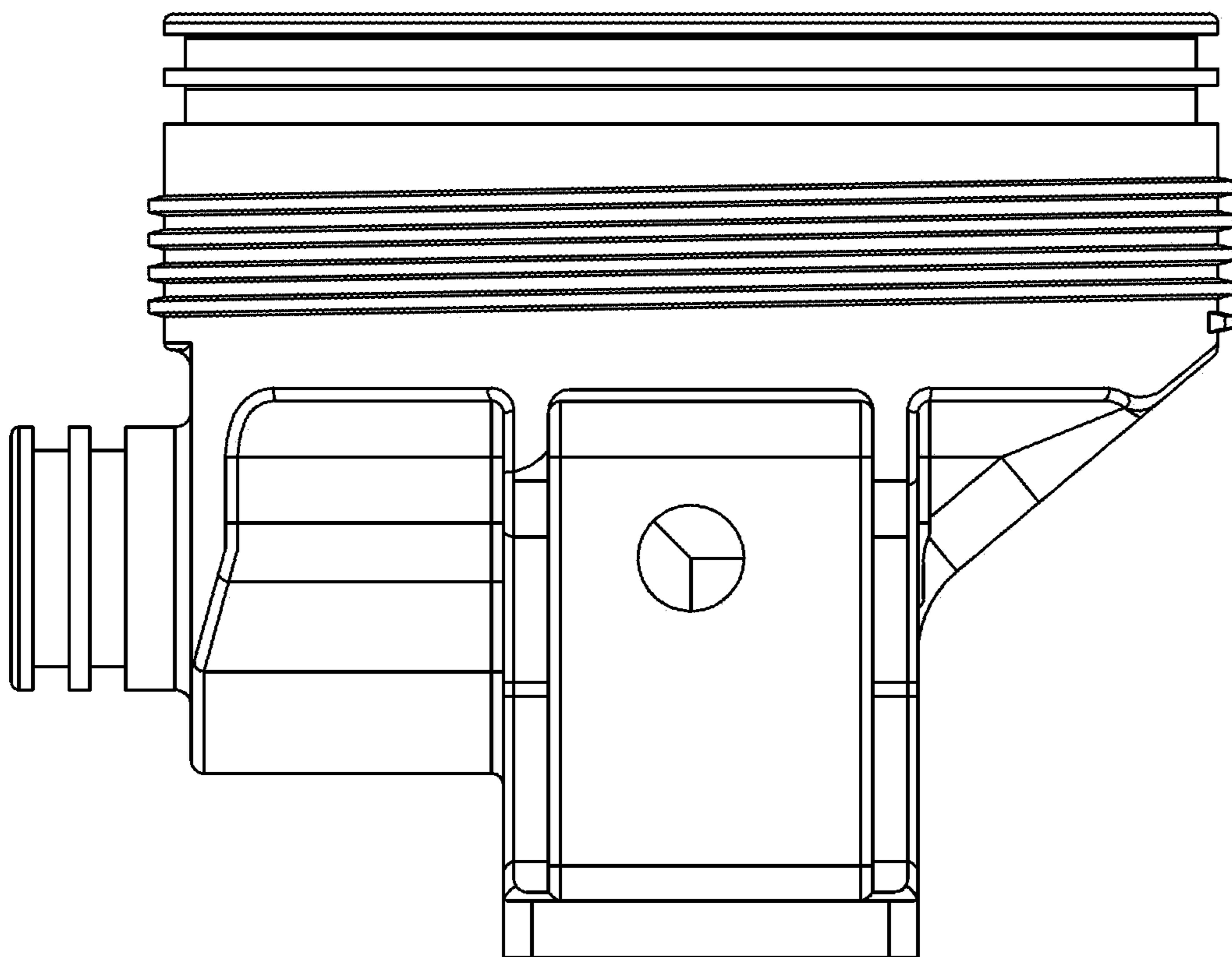


FIG. 3

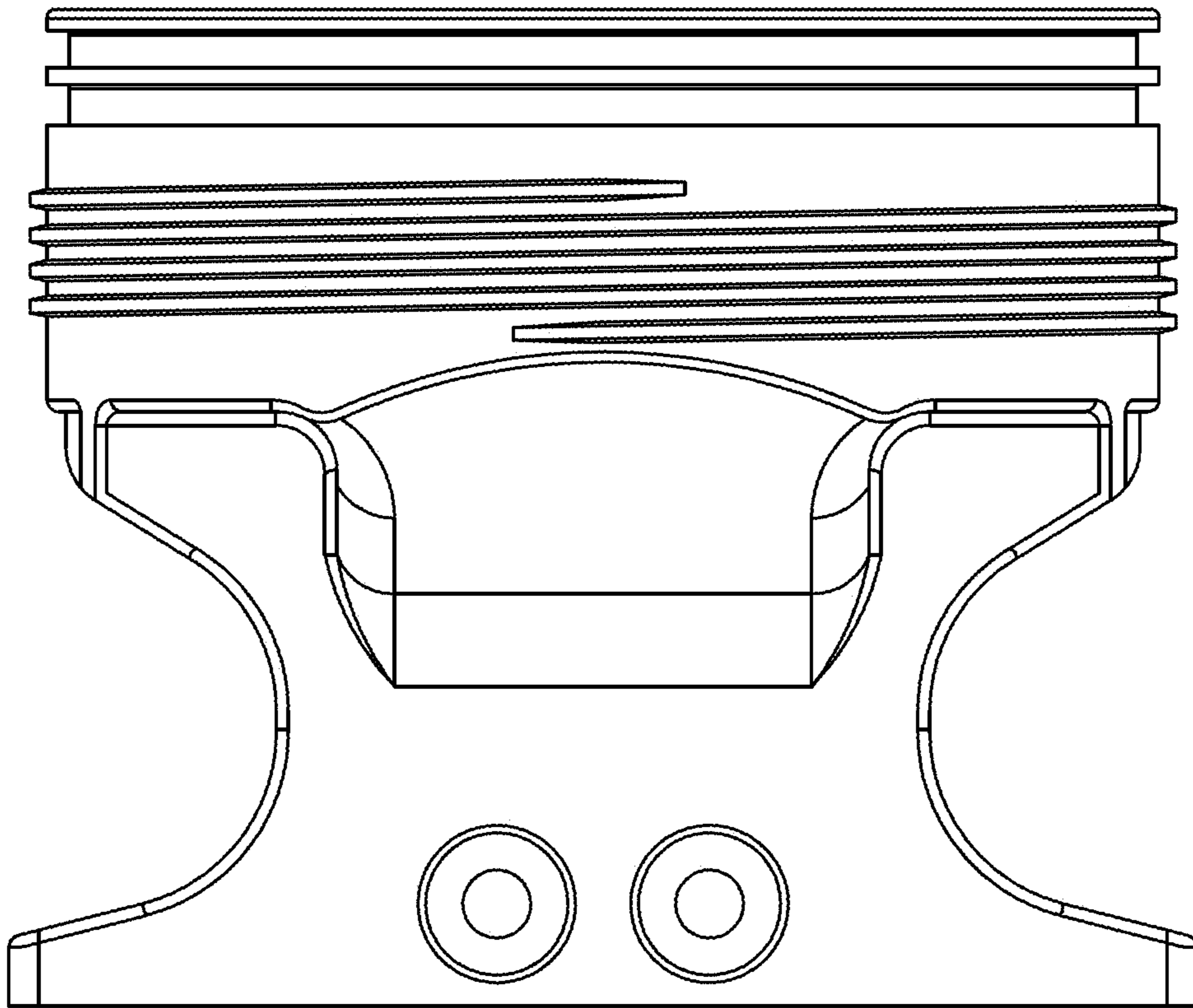


FIG. 4

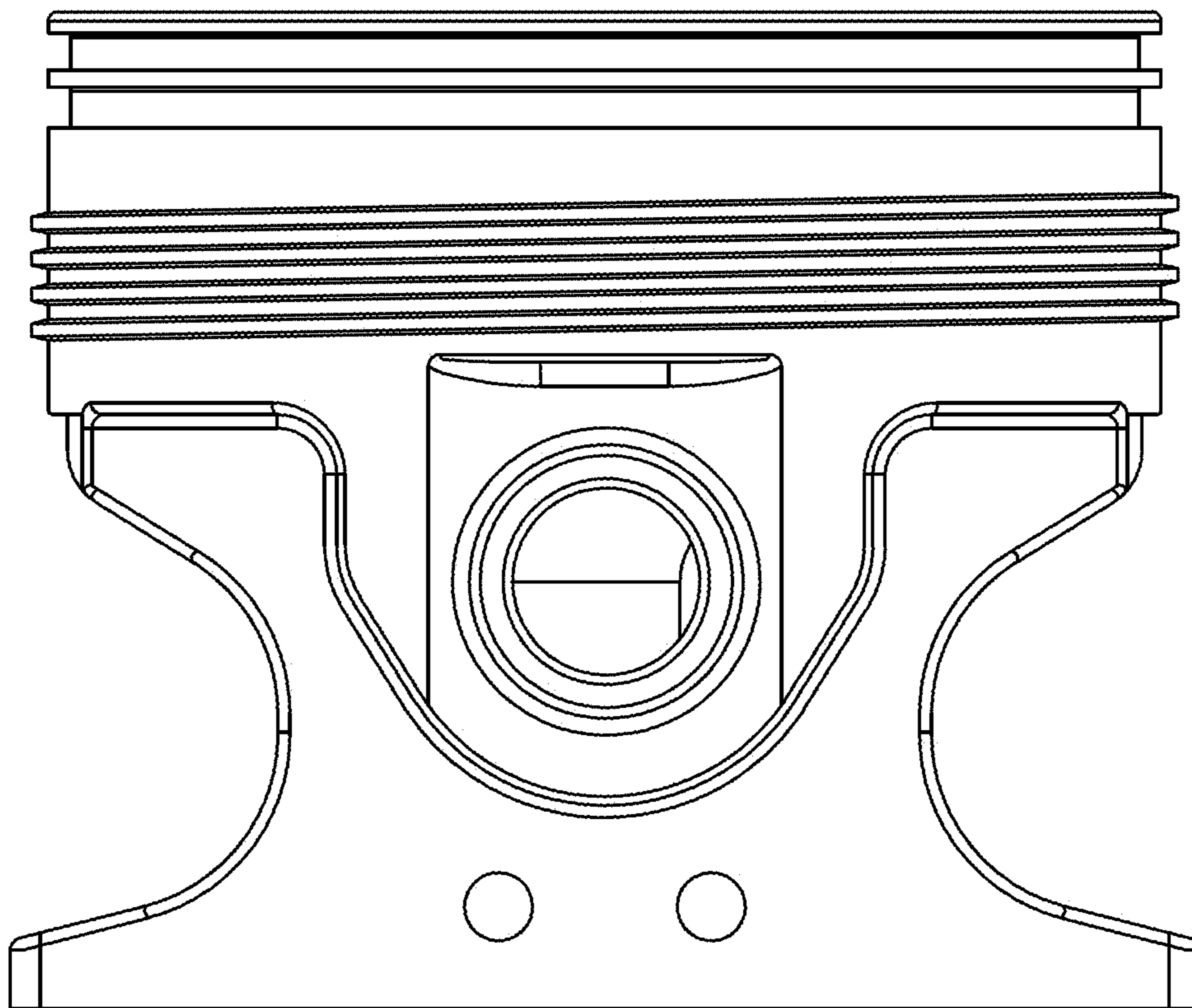


FIG. 5

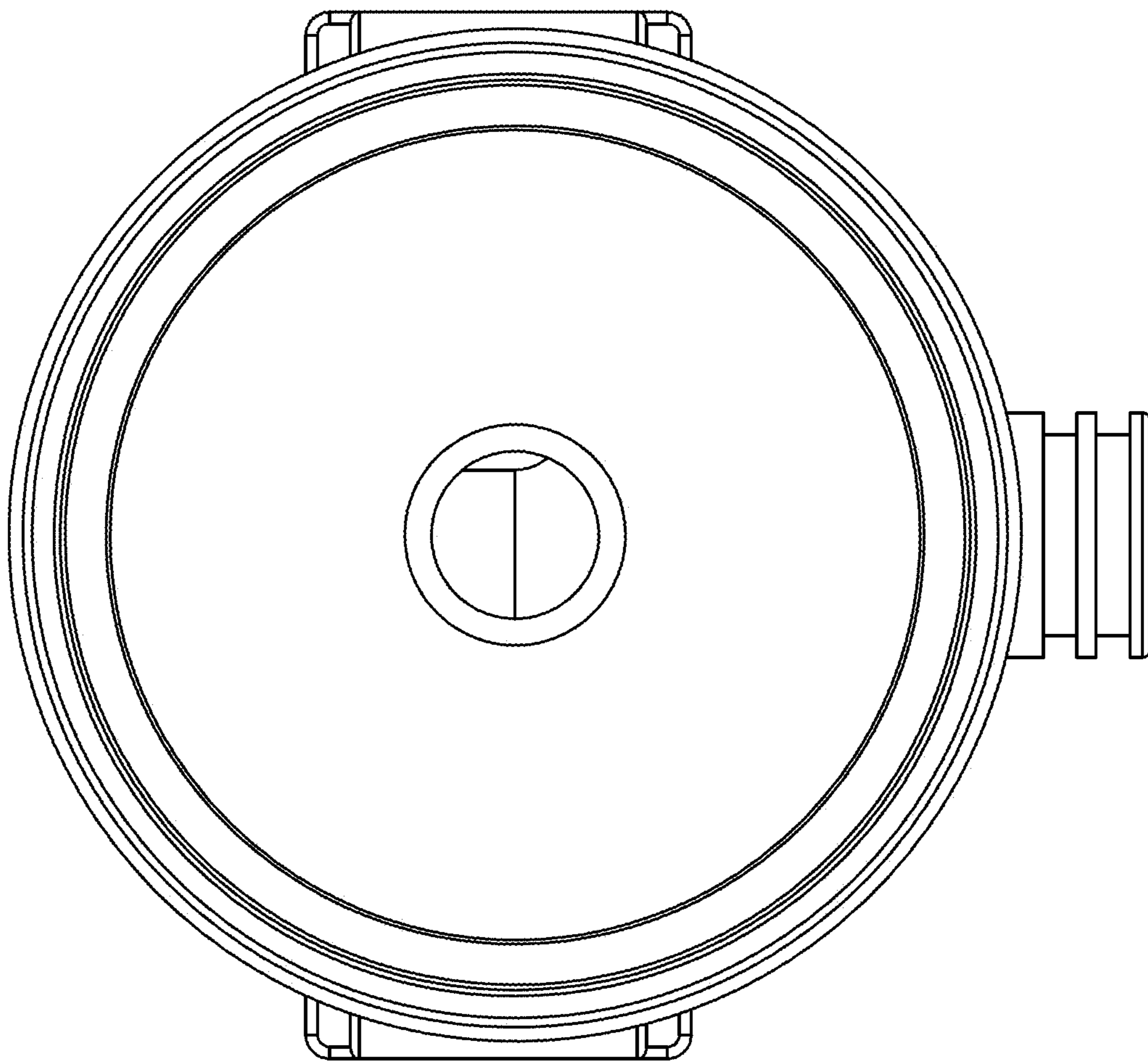
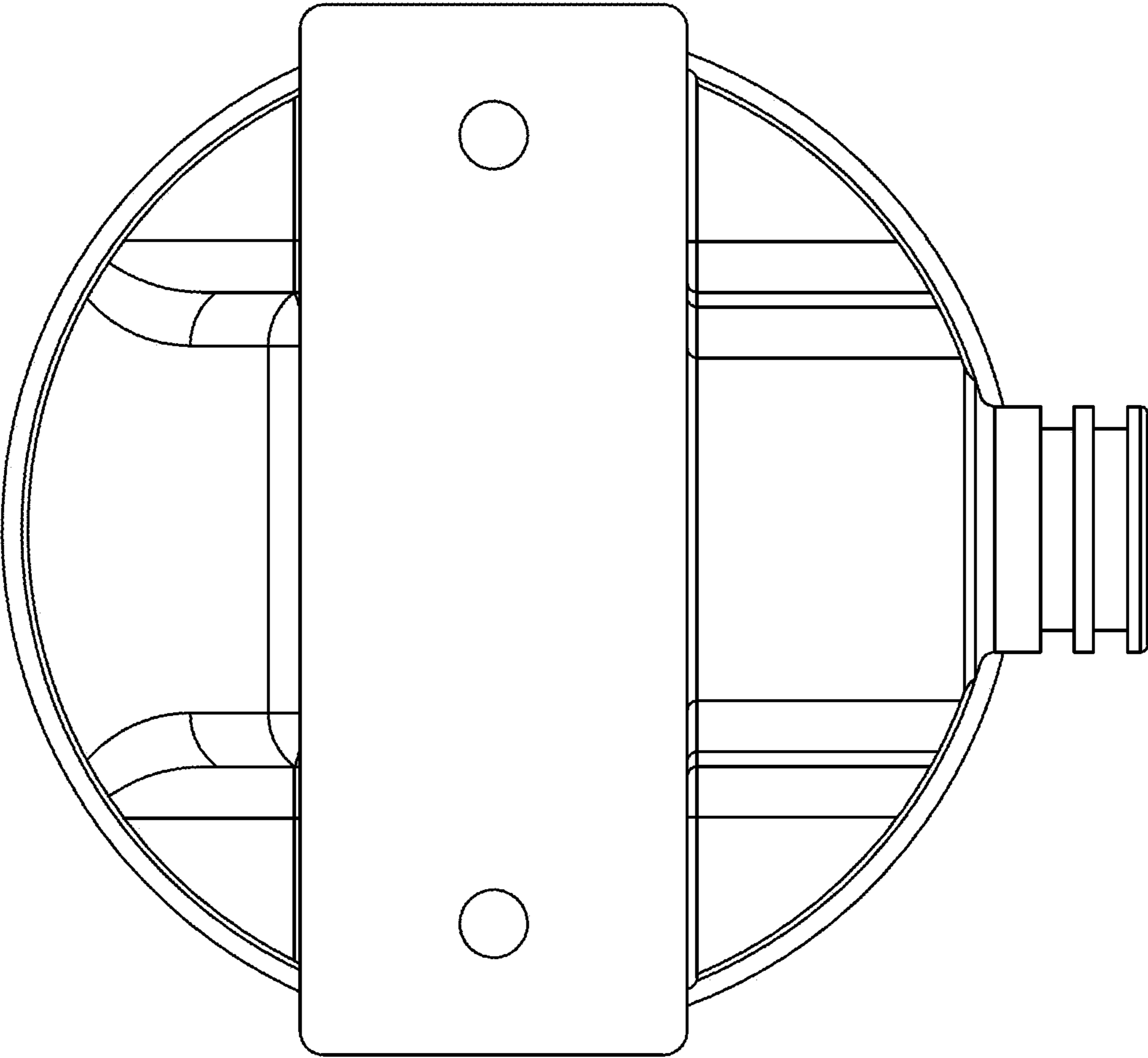
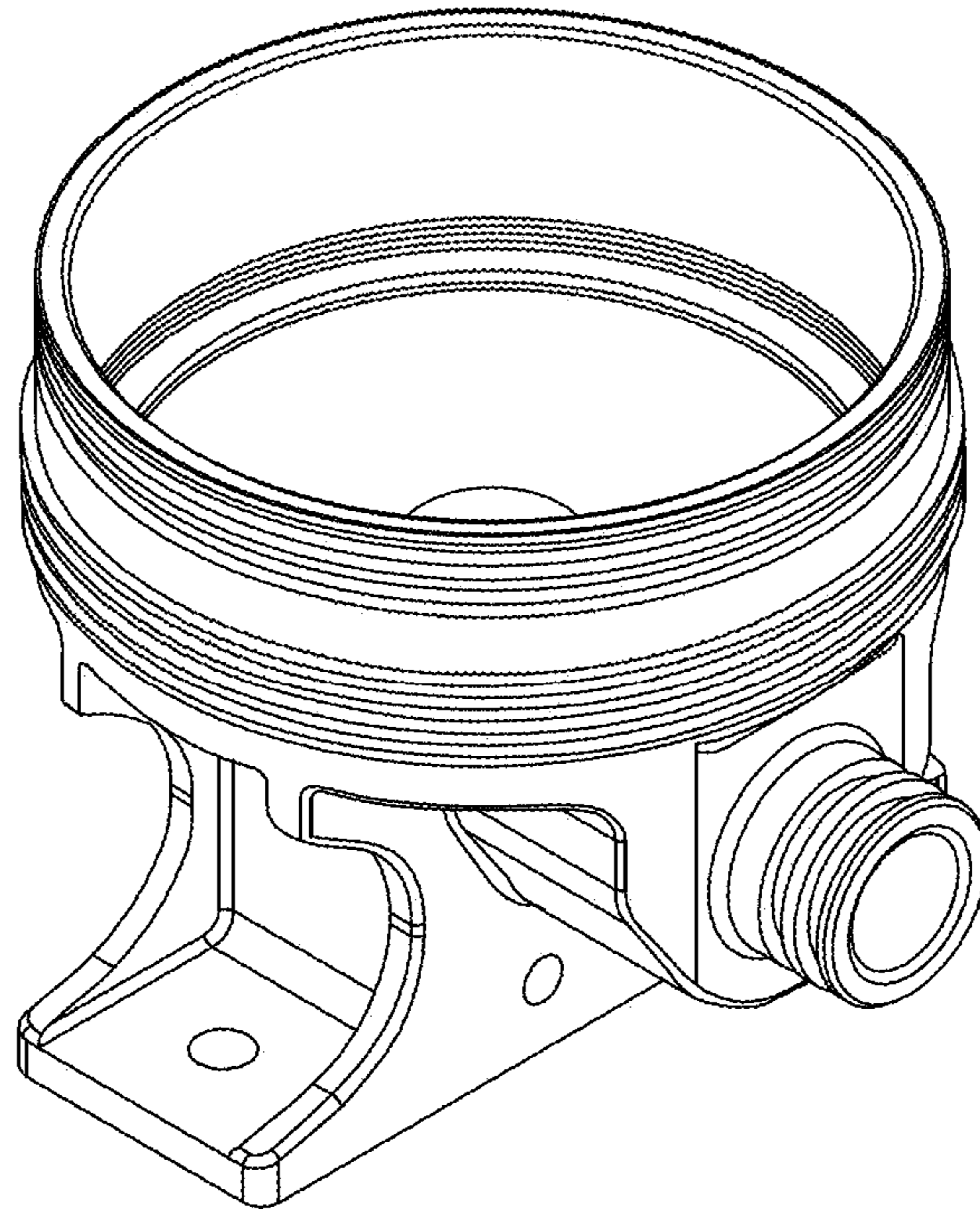


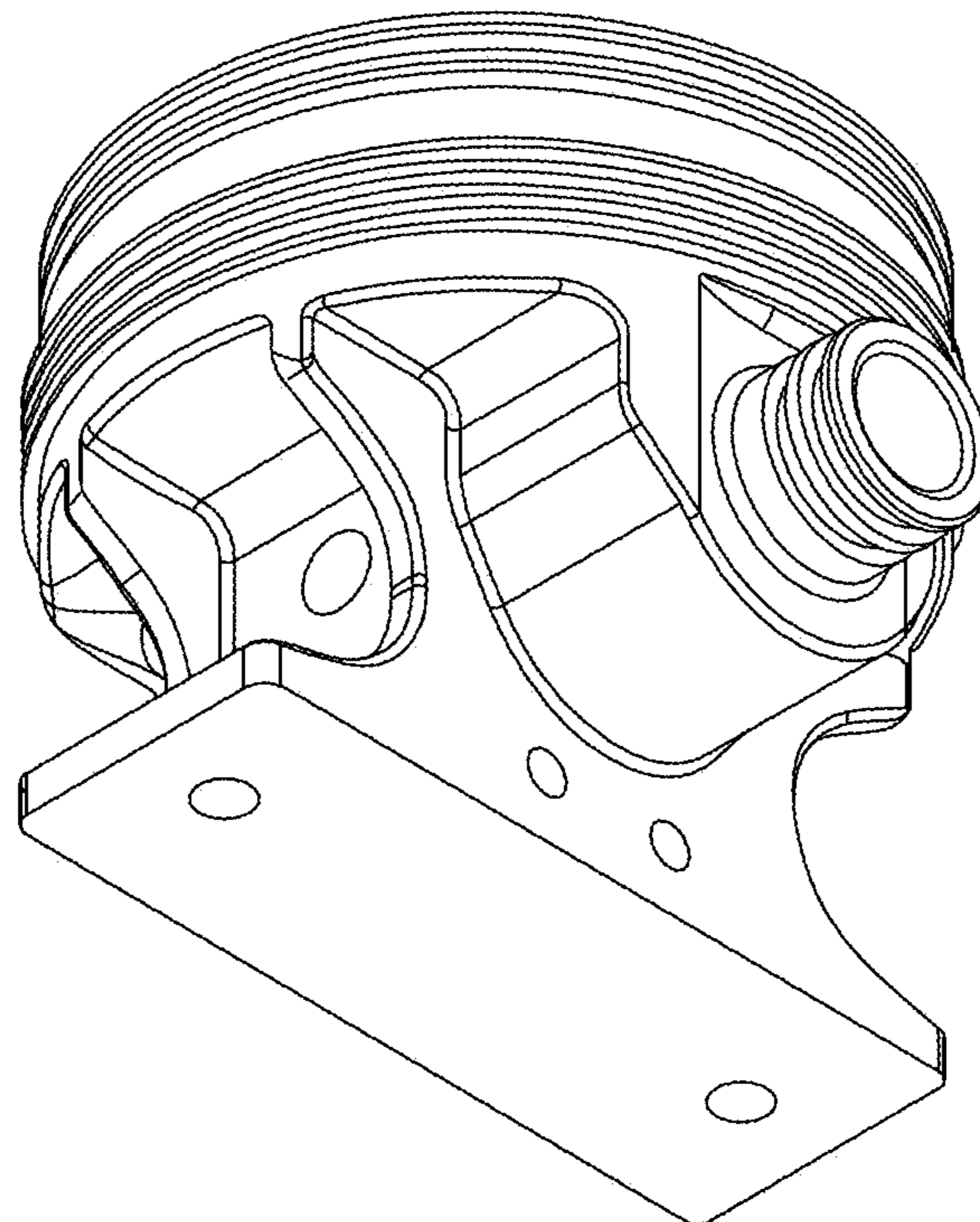
FIG. 6



**FIG. 7**

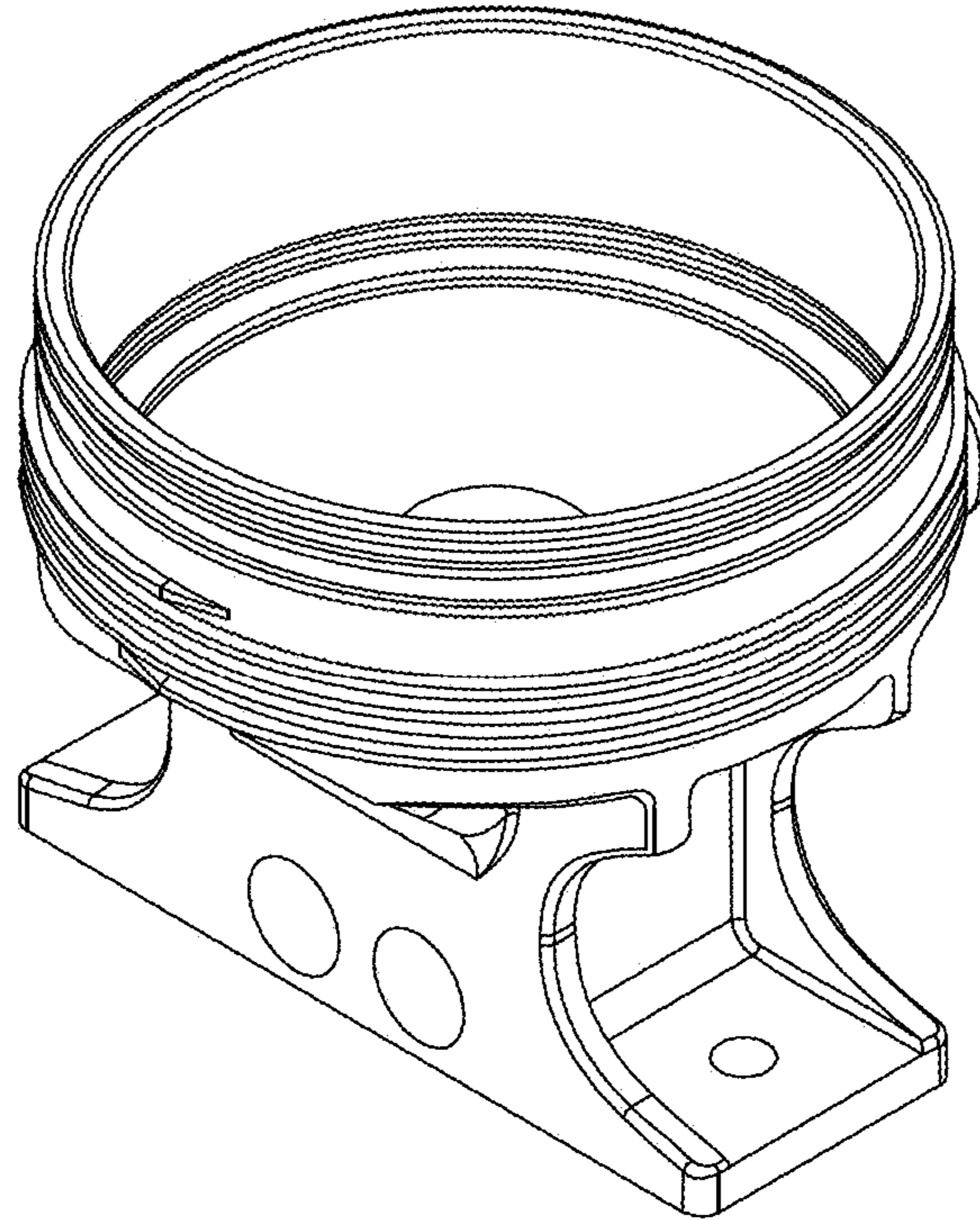


**FIG. 8**





**FIG. 9**



**FIG. 10**

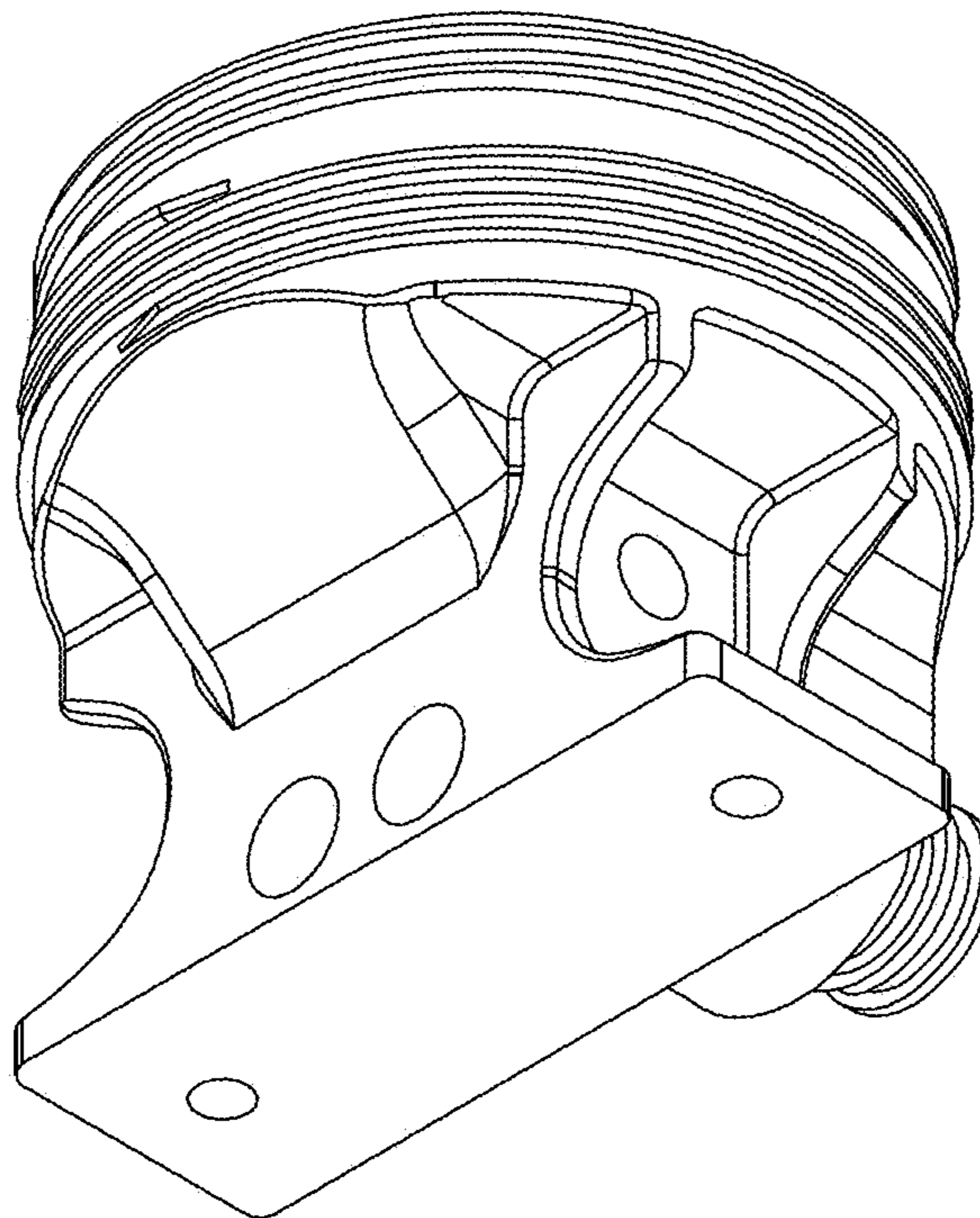


FIG. 11

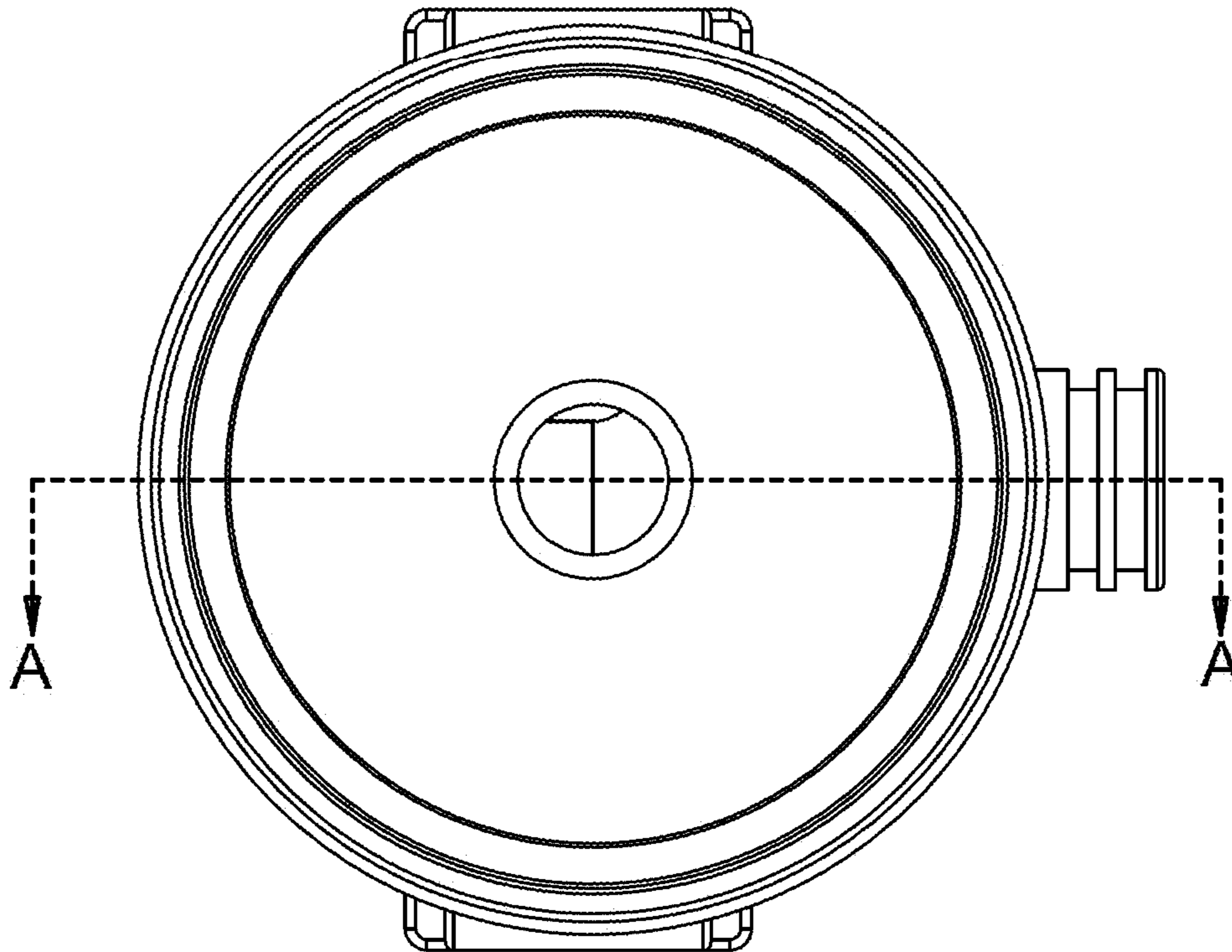


FIG. 12

