

US00D764015S

(12) **United States Design Patent**
Bruining

(10) **Patent No.:** **US D764,015 S**

(45) **Date of Patent:** **** Aug. 16, 2016**

(54) **DISPENSER**

(71) Applicant: **Reckitt Benckiser LLC**, Parsippany, NJ
(US)

(72) Inventor: **Sebastiaan Bruining**, Eindhoven (NL)

(73) Assignee: **RECKITT BENCKISER LLC**,
Parsippany, NJ (US)

(**) Term: **15 Years**

(21) Appl. No.: **29/531,495**

(22) Filed: **Jun. 26, 2015**

(30) **Foreign Application Priority Data**

Jan. 6, 2015 (EM) 002608588

(51) **LOC (10) Cl.** **23-01**

(52) **U.S. Cl.**

USPC **D23/208**

(58) **Field of Classification Search**

USPC D23/207, 208, 209; 4/223, 225.1,
4/227.1, 231

CPC E03D 9/032; E03D 9/037; E03D 9/038

See application file for complete search history.

(56) **References Cited**

U.S. PATENT DOCUMENTS

D481,099 S * 10/2003 Legeay D23/208
D548,305 S * 8/2007 King D23/208

D556,854 S * 12/2007 Cheung D23/208
D564,063 S * 3/2008 Burt D23/208
D564,620 S * 3/2008 Burt D23/208
D568,960 S * 5/2008 Cheung D23/208
D573,687 S * 7/2008 Hill D23/208
7,832,025 B2 * 11/2010 Virica E03D 9/007
4/227.4
D662,174 S * 6/2012 Reijnders D23/208
D689,167 S * 9/2013 Gerhards D23/208
8,966,674 B2 * 3/2015 Lu C11D 17/0056
4/223

* cited by examiner

Primary Examiner — Robin V Webster

(74) *Attorney, Agent, or Firm* — Norris McLaughlin &
Marcus PA

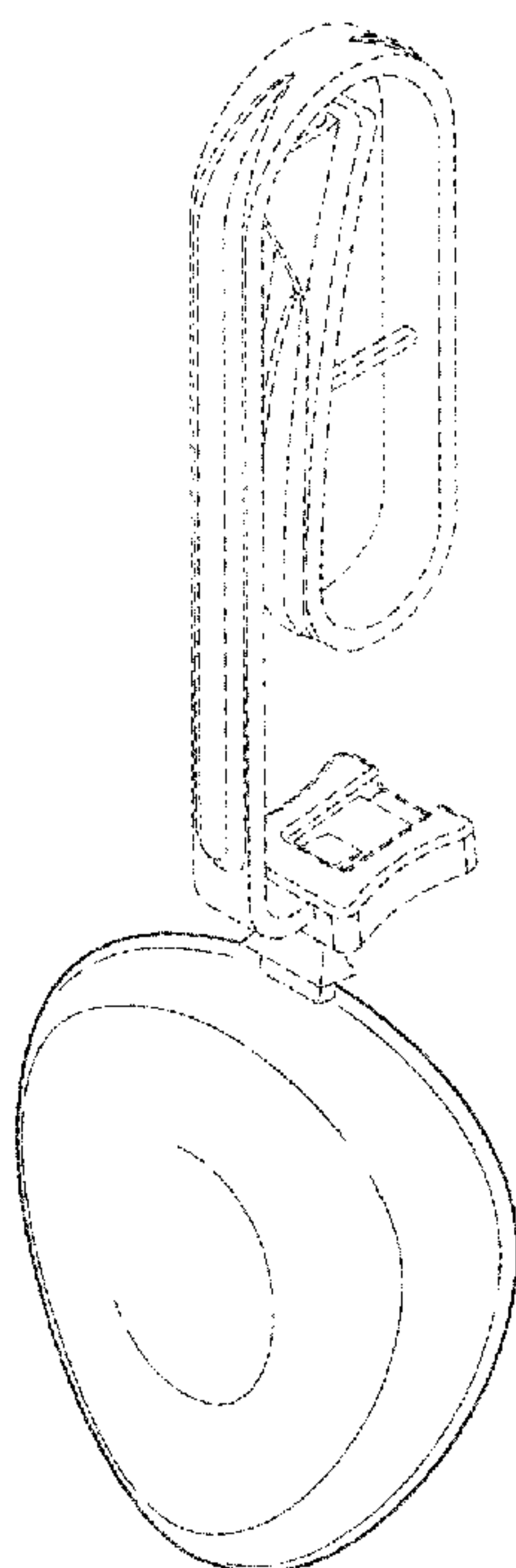
(57) **CLAIM**

The ornamental design for a dispenser, as shown and
described.

DESCRIPTION

FIG. 1 is a perspective view of front the dispenser;
FIG. 2 is a plan view of the front of the dispenser;
FIG. 3 is plan view of the back of the dispenser;
FIG. 4 is a plan view of a side of the dispenser;
FIG. 5 is a plan view of a further side of the dispenser;
FIG. 6 is a plan view of the top of the dispenser; and,
FIG. 7 is a plan view of the bottom of the dispenser.
The broken line showing of a hanger is included for the
purpose of illustrating and forms no part of the claimed
design.

1 Claim, 3 Drawing Sheets



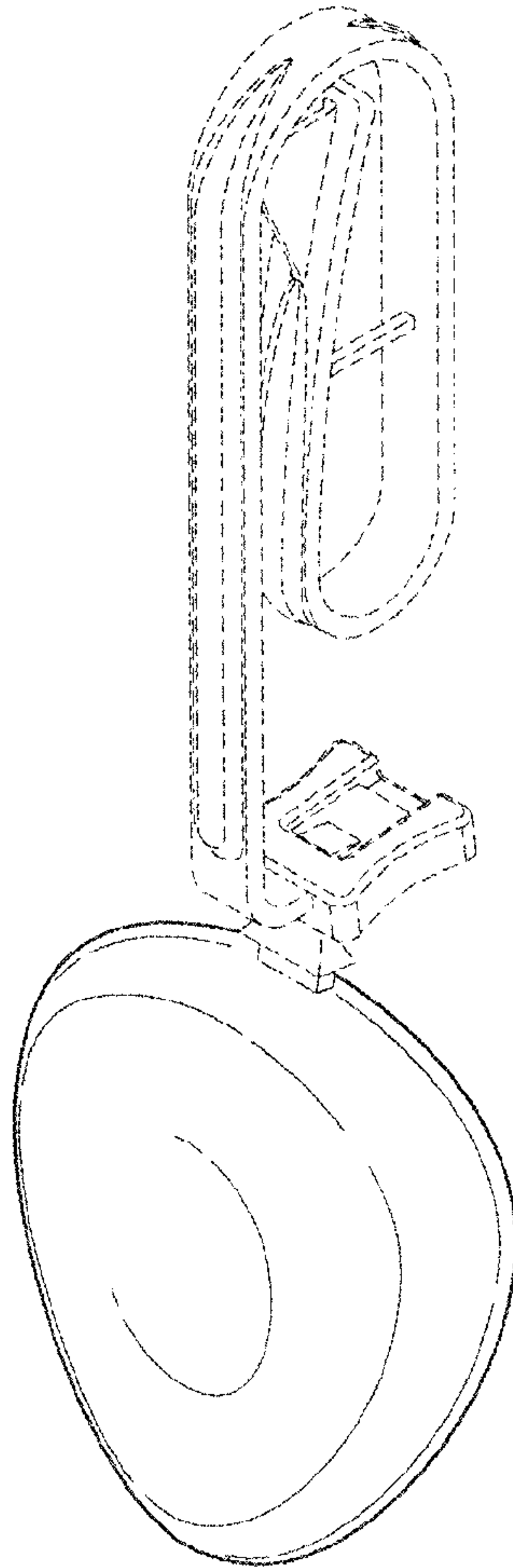


Fig. 1

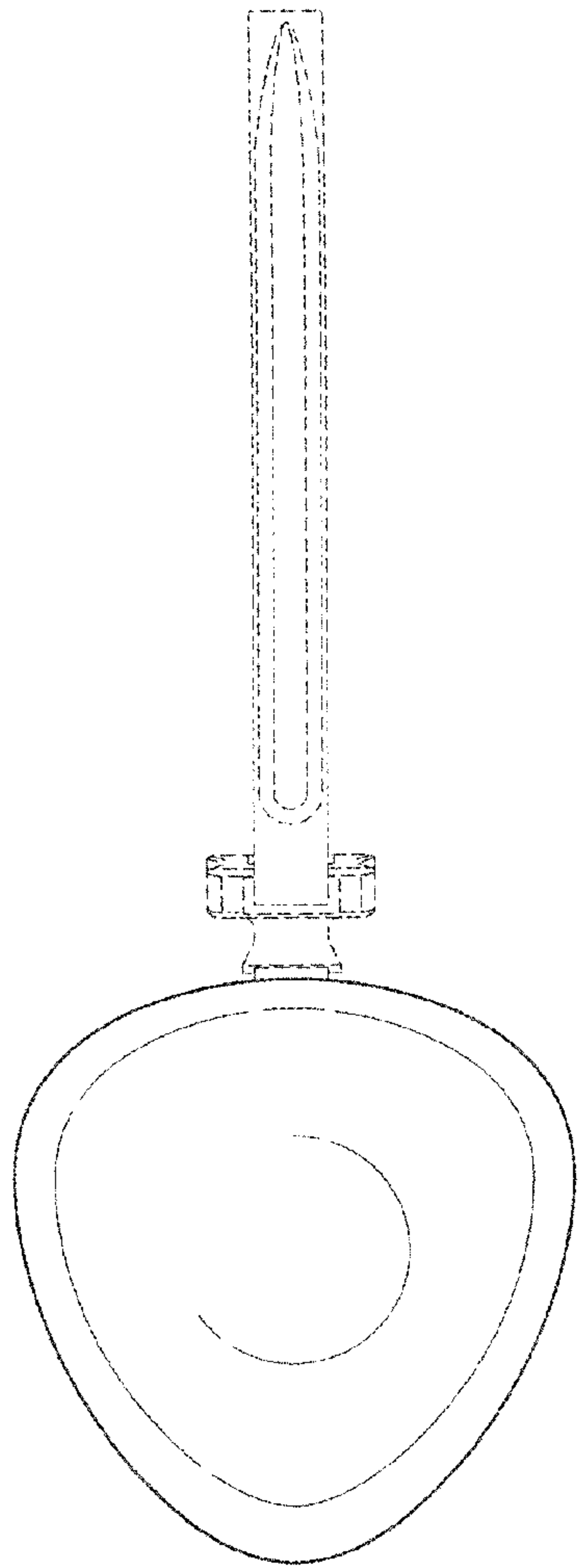


Fig. 2

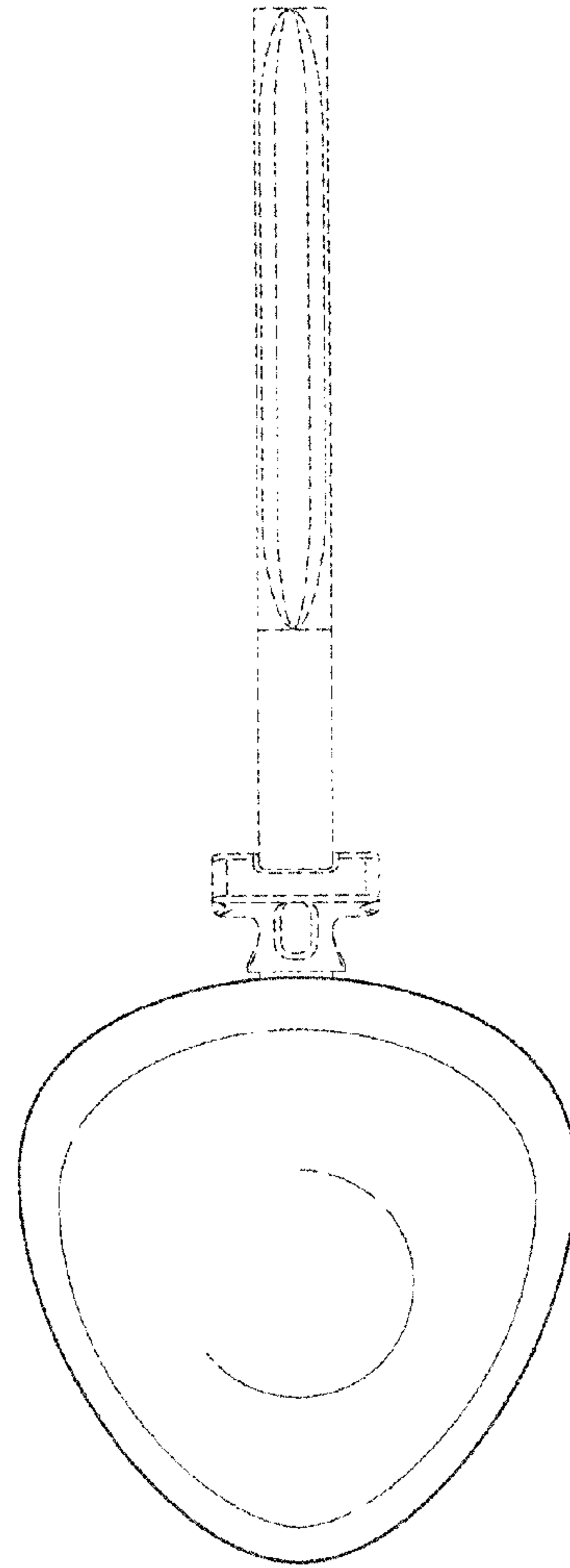


Fig. 3

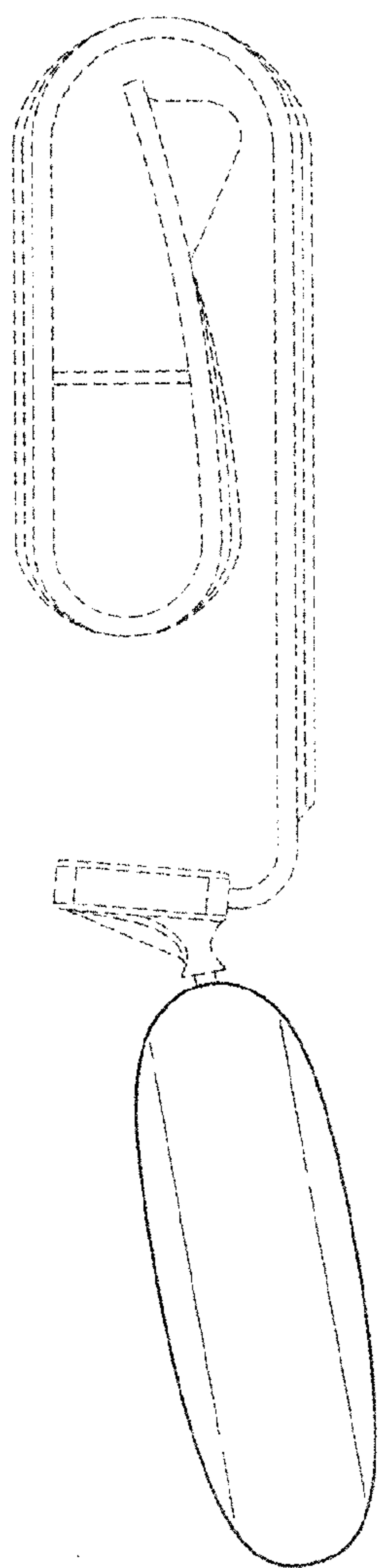


Fig. 4

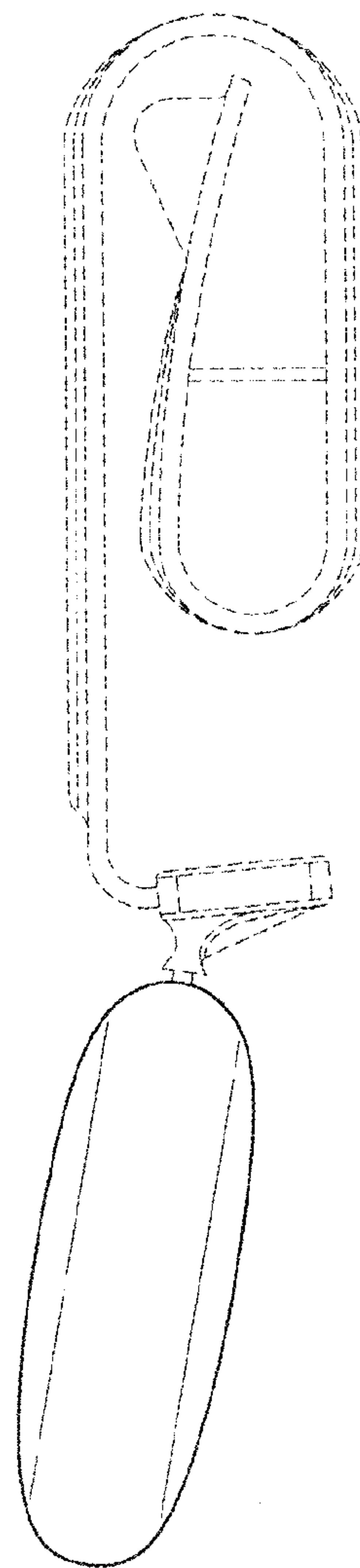


Fig. 5

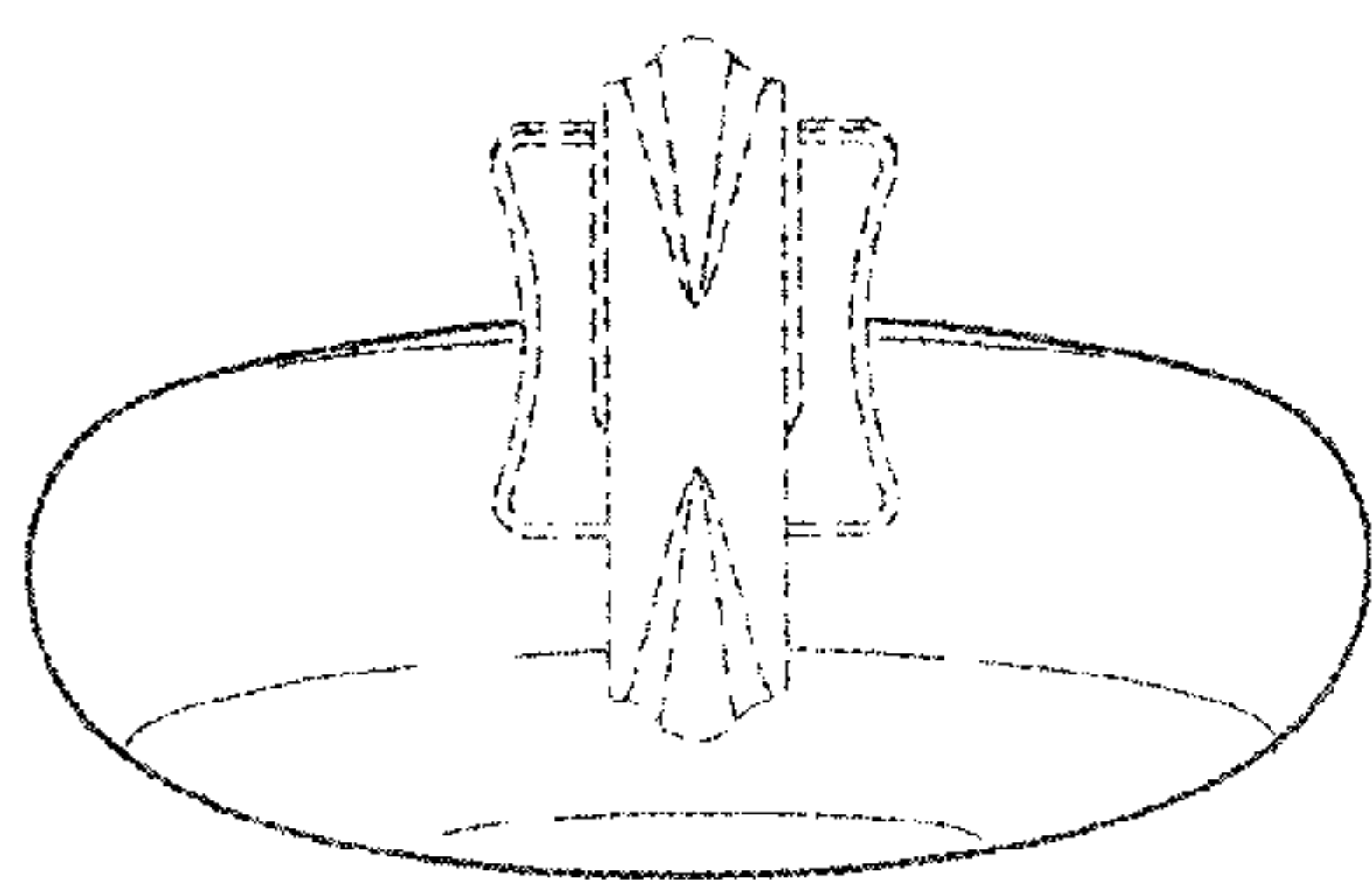


Fig. 6

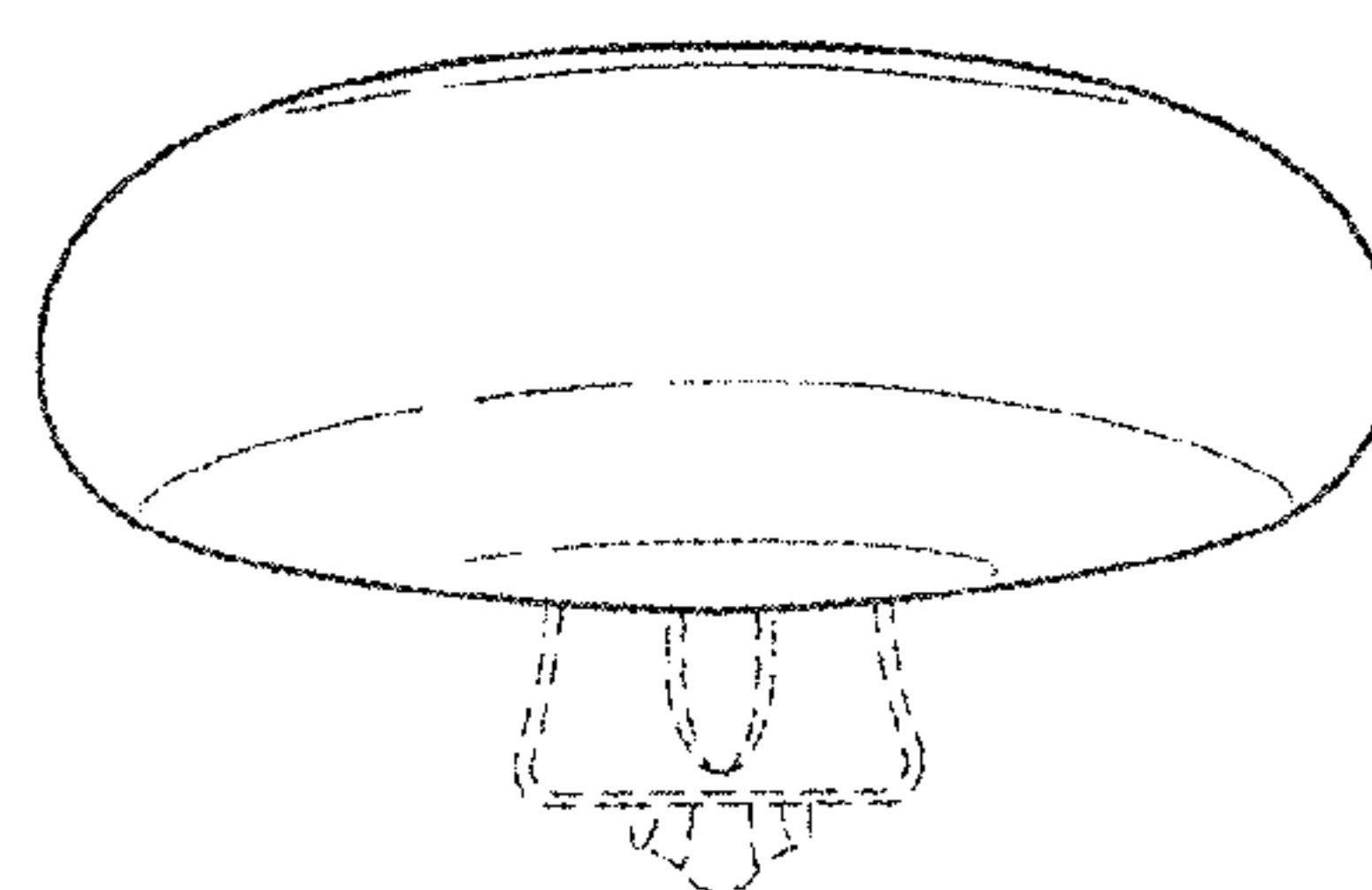


Fig. 7