

US00D764010S

(12) **United States Design Patent**
Tian et al.

(10) **Patent No.:** **US D764,010 S**
(45) **Date of Patent:** **** Aug. 16, 2016**

- (54) **ANIMAL TRAP**
- (71) Applicant: **J.T. Eaton & Company, Inc.**,
Twinsburg, OH (US)
- (72) Inventors: **Daofeng Tian**, Zaoyang (CN); **Qi Jin**,
Tainmen (CN)
- (73) Assignee: **J.T. Eaton & Company, Inc.**,
Twinsburg, OH (US)
- (**) Term: **14 Years**
- (21) Appl. No.: **29/518,138**
- (22) Filed: **Feb. 20, 2015**
- (51) **LOC (10) Cl.** **22-06**
- (52) **U.S. Cl.**
USPC **D22/119**
- (58) **Field of Classification Search**
USPC D22/119-124; 43/58, 70, 81, 88-89,
43/91, 96-97
CPC A01M 23/26; A01M 23/30
See application file for complete search history.

D673,640 S * 1/2013 Bailey D22/119
D676,098 S 2/2013 Huang
8,959,829 B2 * 2/2015 Kay A01M 23/24
43/58
9,210,924 B1 * 12/2015 Terrell A01M 23/26

OTHER PUBLICATIONS

<http://www.tomcat.com/smg/gopmd/tomcat-secure-kill-rat-trap/prod11210002>.
<http://www.tomcat.com/smg/goproduct/tomcat-rat-snap-trap/prod11150050>.
<http://www.tomcat.com/smg/goproduct/tomcat-press-n-set-mouse-trap/prod11200004>.
<http://www.simsupply.com/2-Pack-Press-N-Set-Mousetrap-0360710/dp/B00D8GBDS6?CAWELAID=1303395365&CAGPSPN=pla&catargetid=120012830000891623&cadevice=c&gclid=C1j9klax4sUCFZQXHwodIZAAGA>.

* cited by examiner

Primary Examiner — Catheri Oliver-Garcia
(74) *Attorney, Agent, or Firm* — Boyle Fredrickson, S.C.

(57) **CLAIM**

The ornamental design for an animal trap, as shown and described.

DESCRIPTION

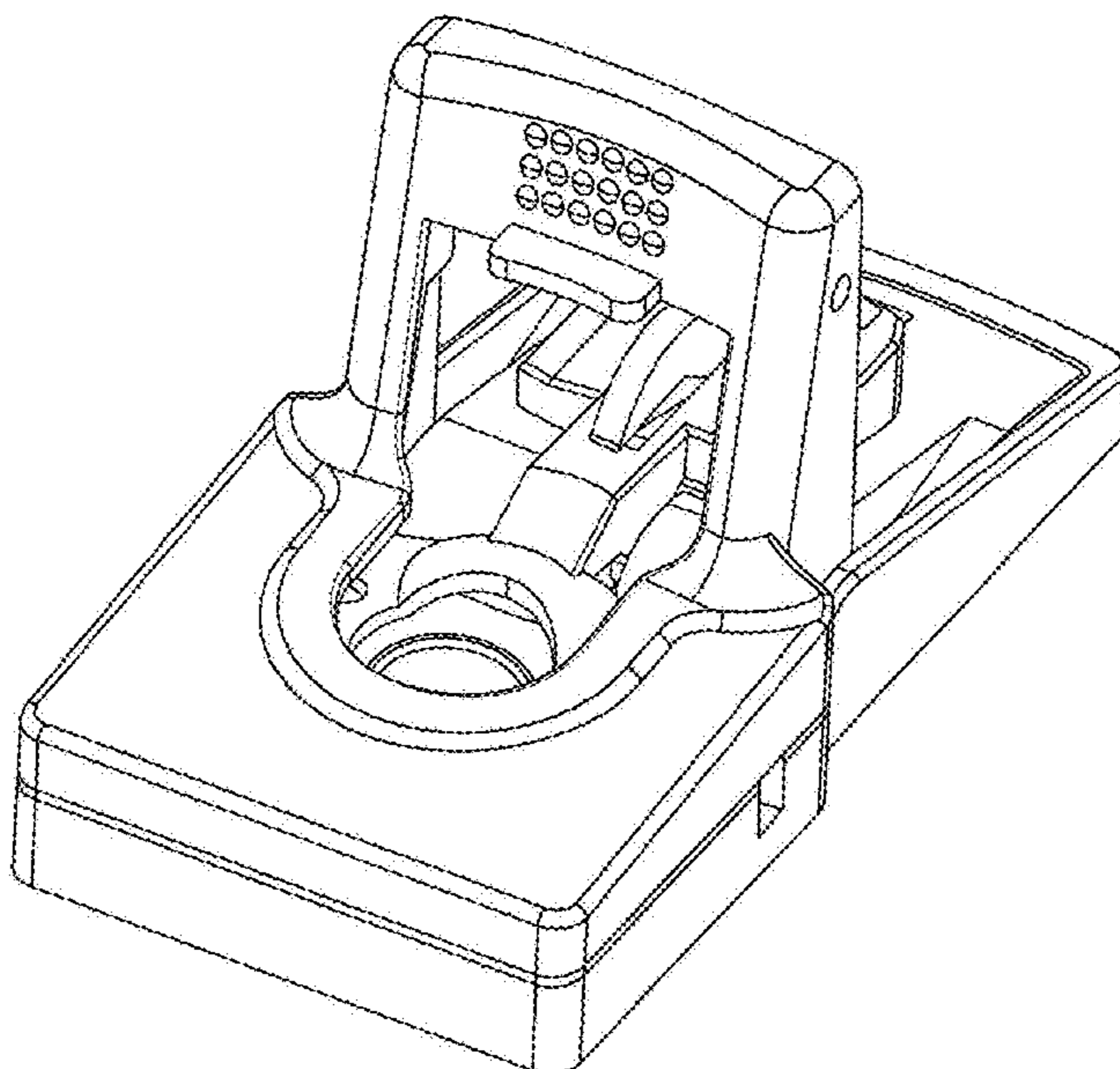
FIG. 1 is a perspective view of our new design;
FIG. 2 is a front view thereof;
FIG. 3 is a rear view thereof;
FIG. 4 is a top view thereof;
FIG. 5 is a bottom view thereof;
FIG. 6 is a right side view thereof; and,
FIG. 7 is a left side view thereof.

1 Claim, 5 Drawing Sheets

(56) **References Cited**

U.S. PATENT DOCUMENTS

- 1,080,623 A * 12/1913 Brobrby A01M 23/30
43/88
- 1,184,667 A * 5/1916 Appleby A01M 23/26
43/88
- 6,574,912 B1 * 6/2003 Johnson A01M 23/30
43/58
- D532,478 S * 11/2006 Wiesener D22/119
- D616,958 S 6/2010 Huang
- D671,186 S * 11/2012 Dobias D22/119
- D671,614 S * 11/2012 Dobias D22/119



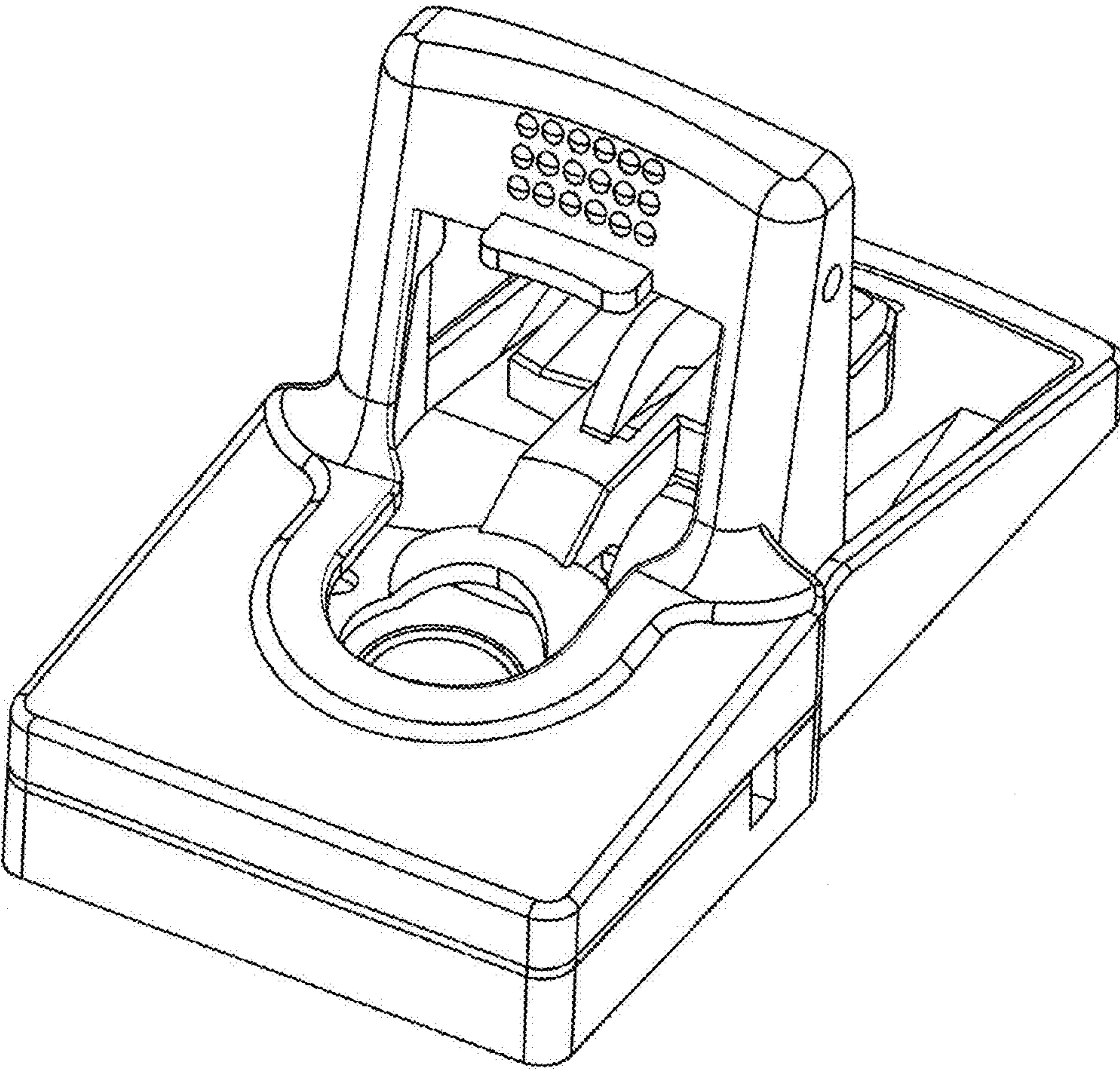


FIG. 1

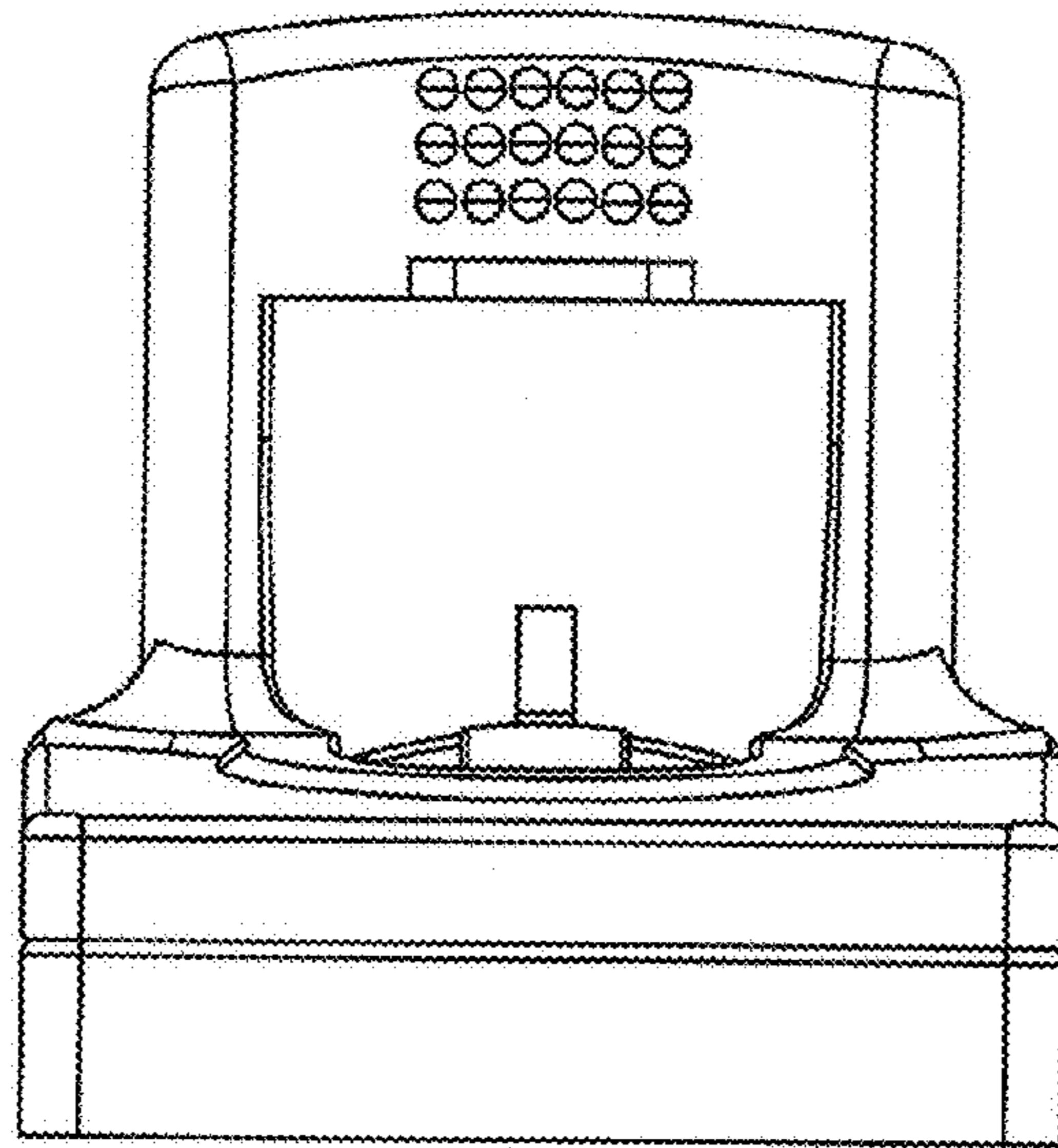


FIG. 2

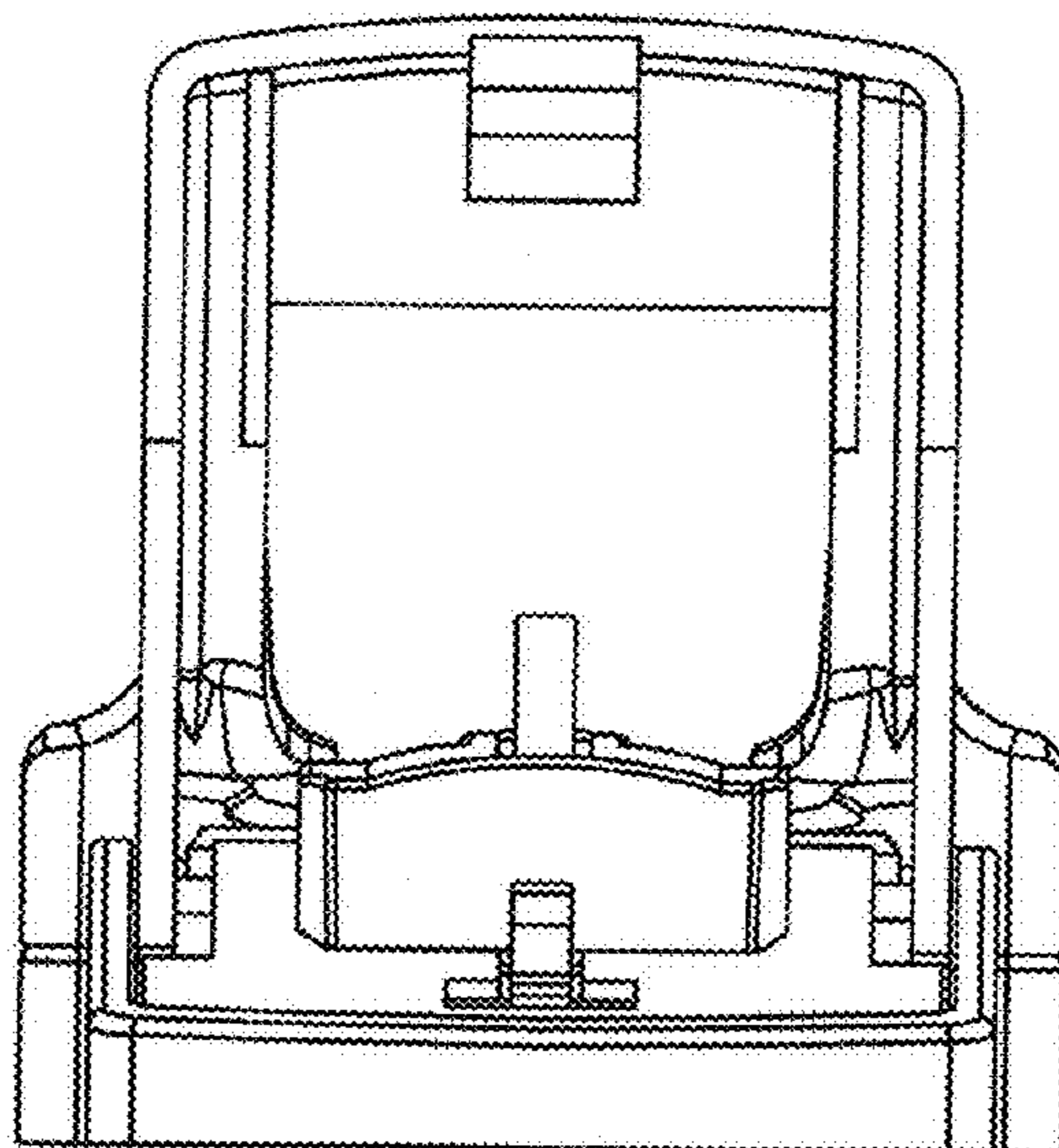


FIG. 3

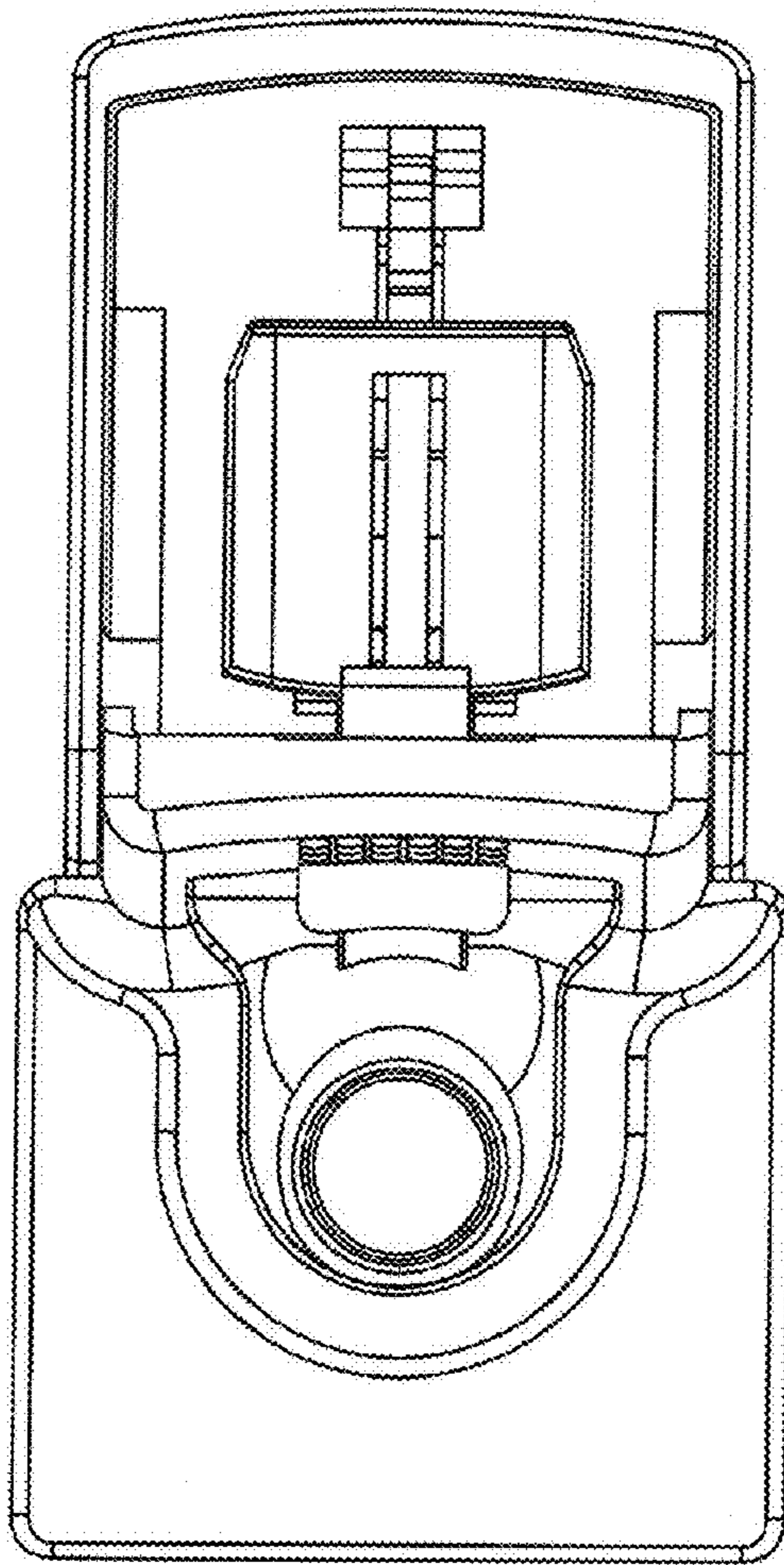


FIG. 4

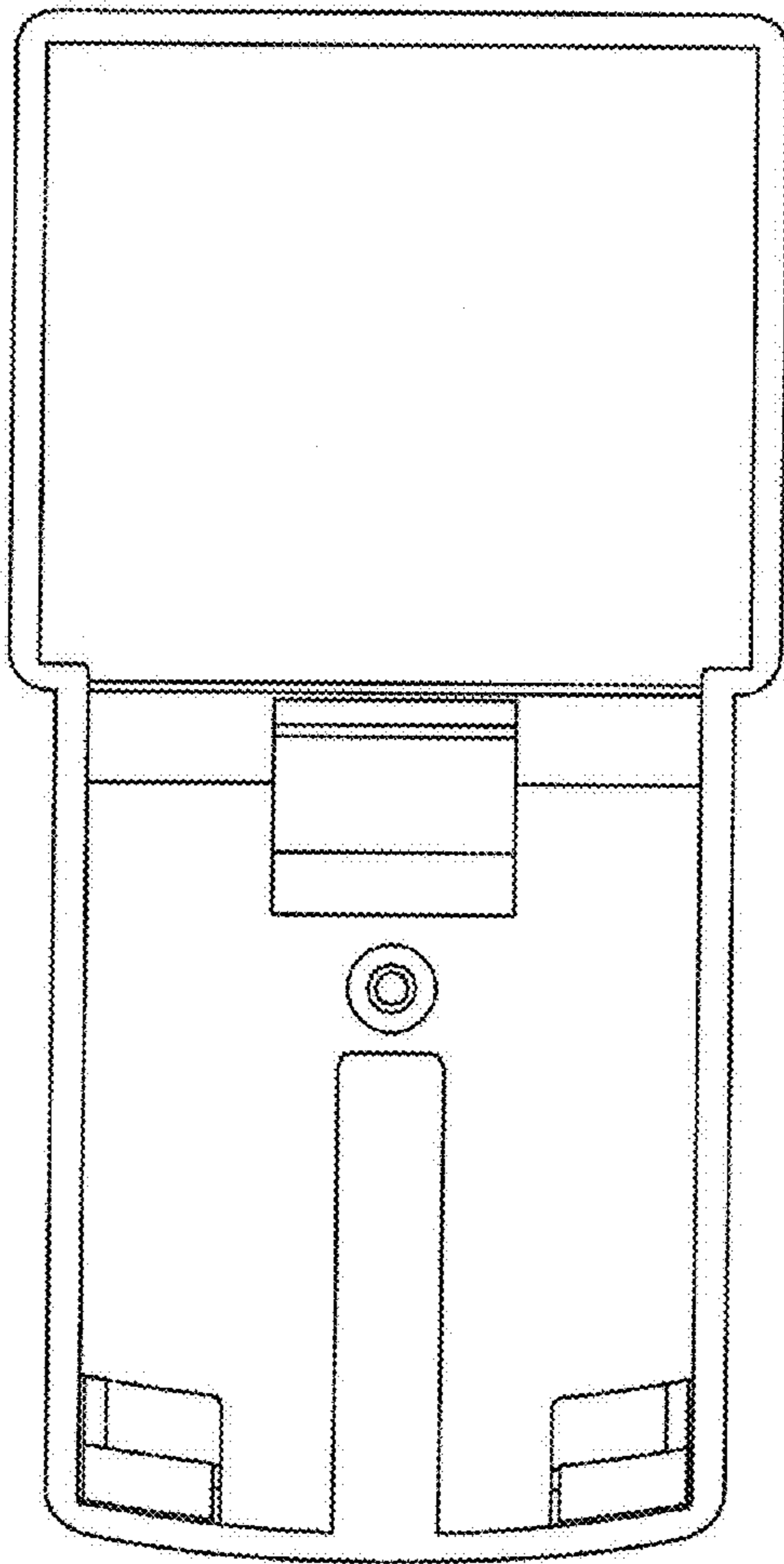


FIG. 5

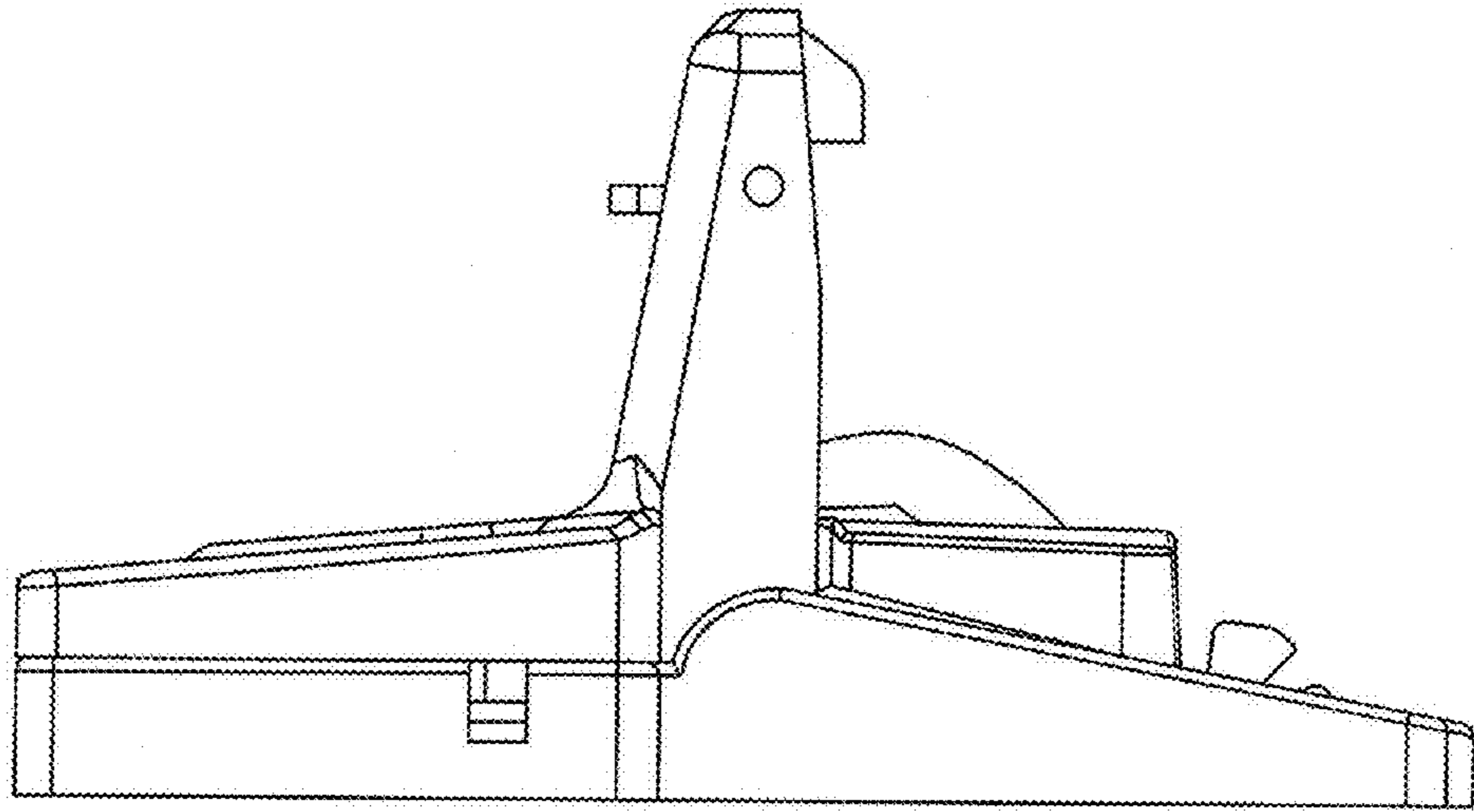


FIG. 6

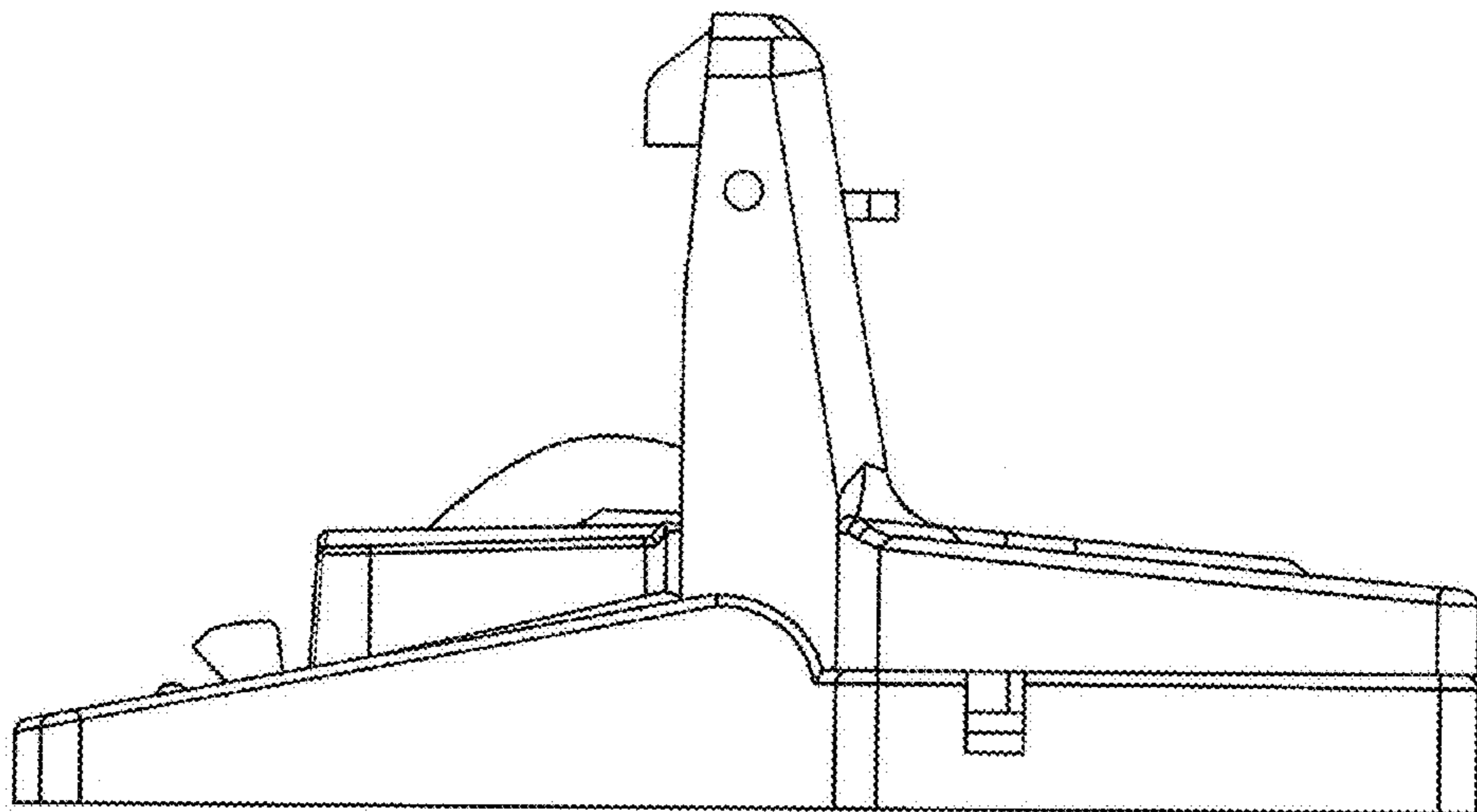


FIG. 7