



US00D764006S

(12) **United States Design Patent**
Horton

(10) **Patent No.:** **US D764,006 S**

(45) **Date of Patent:** **** Aug. 16, 2016**

(54) **FIREARM SIGHT**

(71) Applicant: **Sellmark Corporation**, Mansfield, TX
(US)

(72) Inventor: **Jonathan Horton**, Arlington, TX (US)

(73) Assignee: **Sellmark Corporation**, Mansfield, TX
(US)

(**) Term: **14 Years**

(21) Appl. No.: **29/514,391**

(22) Filed: **Jan. 12, 2015**

(51) **LOC (10) Cl.** **22-01**

(52) **U.S. Cl.**
USPC **D22/109**

(58) **Field of Classification Search**
USPC D22/109
CPC F41G 11/003; F41G 1/00; F41G 1/16;
F41G 1/345

See application file for complete search history.

(56) **References Cited**

U.S. PATENT DOCUMENTS

D365,858 S * 1/1996 Tomita D16/132
D369,367 S * 4/1996 Tomita D16/130

D374,474 S * 10/1996 Persson D22/108
D604,384 S * 11/2009 Bengtsson D22/109
D613,813 S * 4/2010 Larsson D22/109
D742,992 S * 11/2015 Arnedo Vera D22/109
D747,430 S * 1/2016 Theisinger D22/109
D752,701 S * 3/2016 Bengtsson D22/109

OTHER PUBLICATIONS

Armament Technology Inc., Specter 3x Optical Sight, ca. 2006,
<http://www.armament.com/specter-3x-optical-sight>.

* cited by examiner

Primary Examiner — Michael A Pratt

(74) *Attorney, Agent, or Firm* — Mark D. Perdue

(57) **CLAIM**

The ornamental design for the firearm sight, as shown and described.

DESCRIPTION

FIG. 1 is an isometric view of the firearm sight.
FIG. 2 is a right side view of the firearm sight of FIG. 1.
FIG. 3 is a left side view of the firearm sight of FIG. 1.
FIG. 4 is a top view of the firearm sight of FIG. 1.
FIG. 5 is a bottom view of the firearm sight of FIG. 1.
FIG. 6 is a rear view of the firearm sight of FIG. 1; and,
FIG. 7 is a front view of the firearm sight of FIG. 1.
The broken lines showing of portions of the firearm sight form no part of the claimed design.

1 Claim, 6 Drawing Sheets

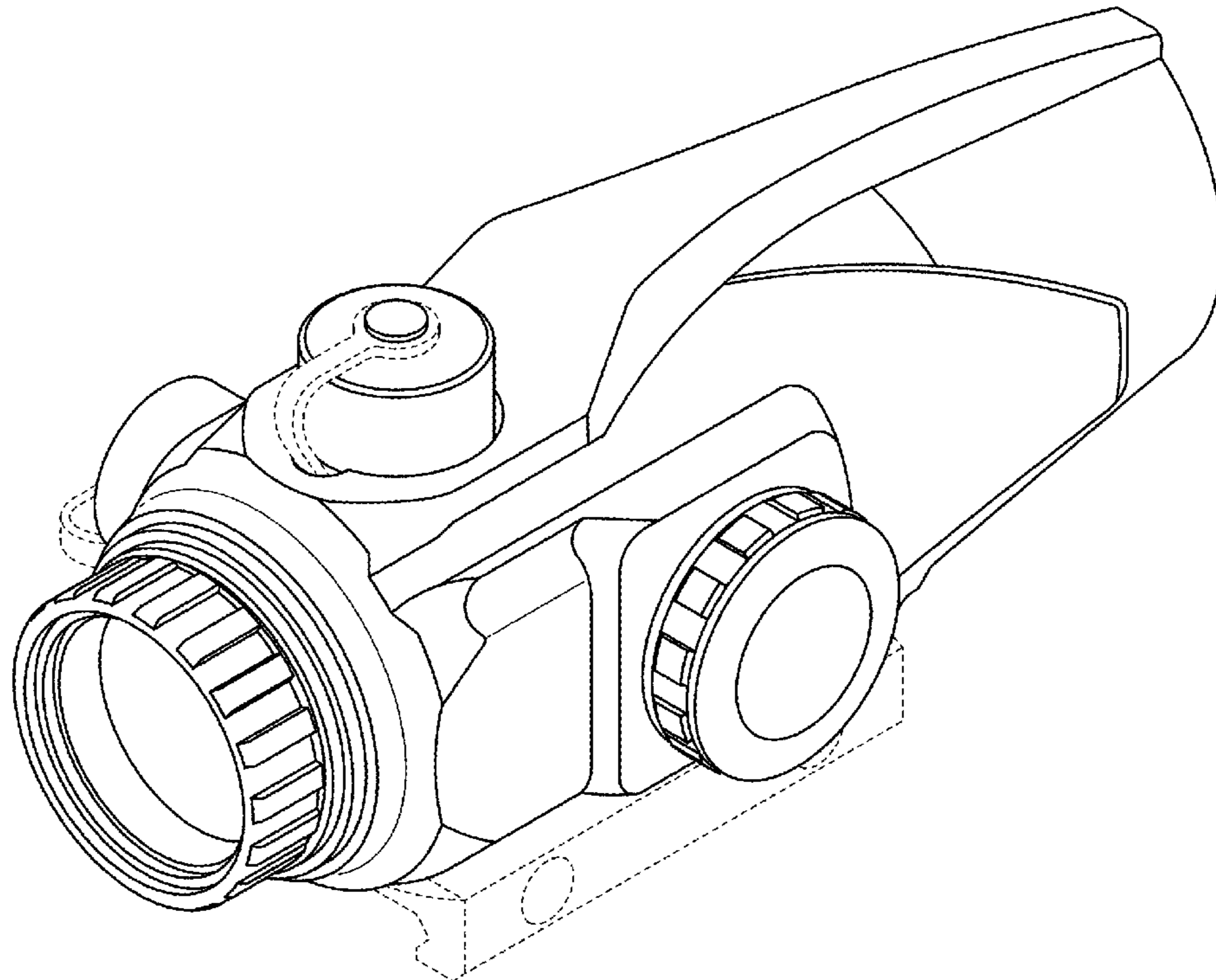


FIG. 1

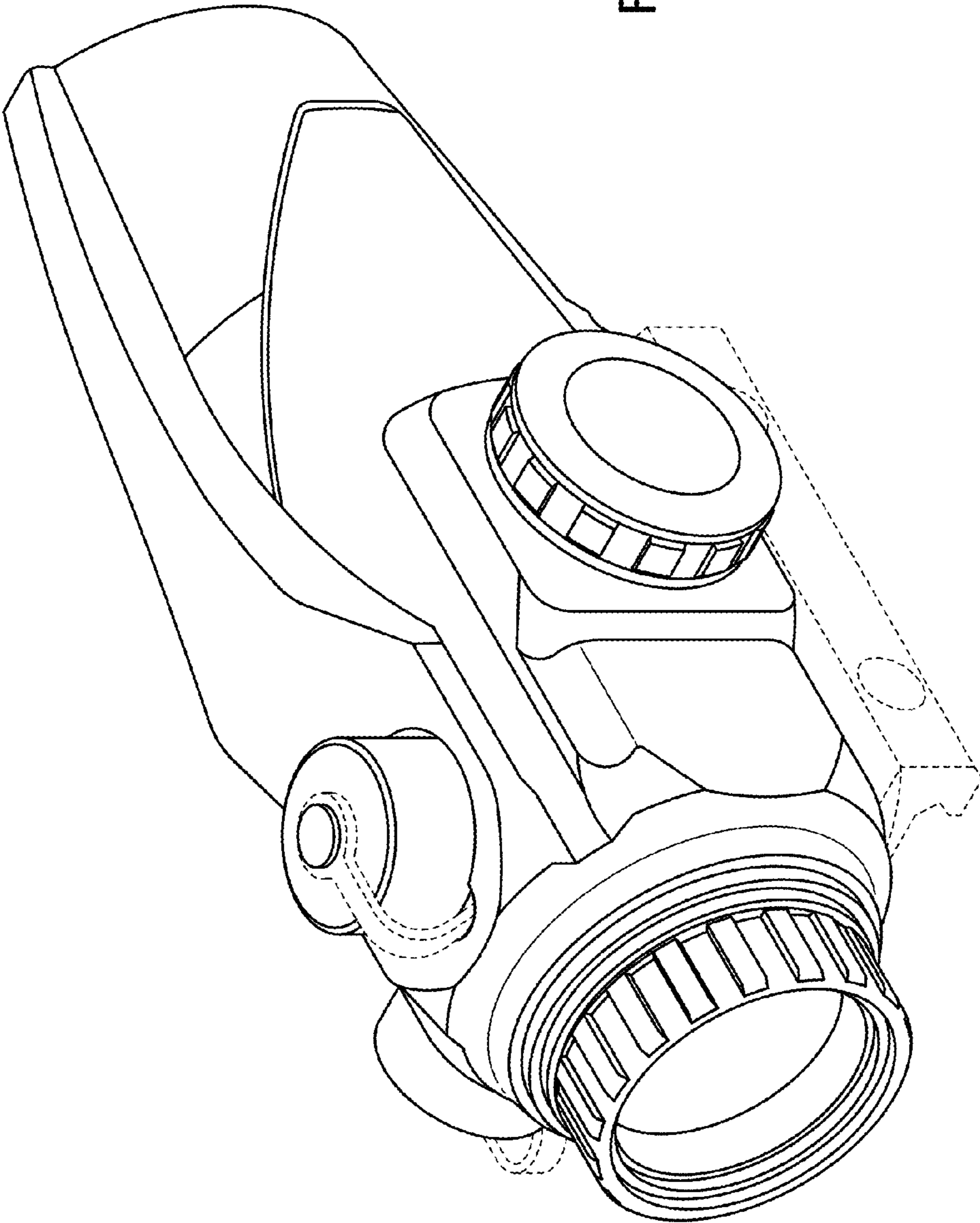


FIG. 2

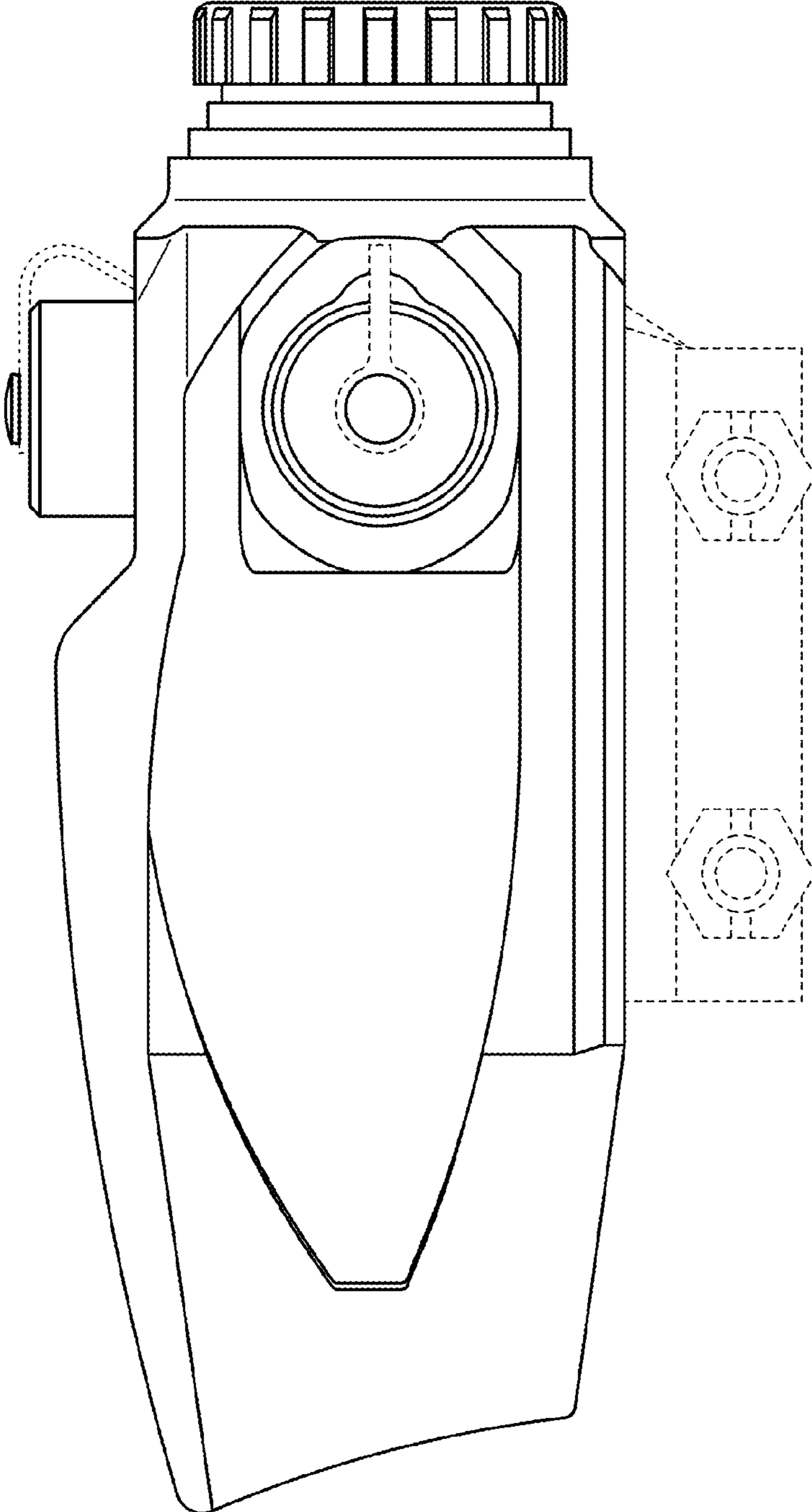


FIG. 3

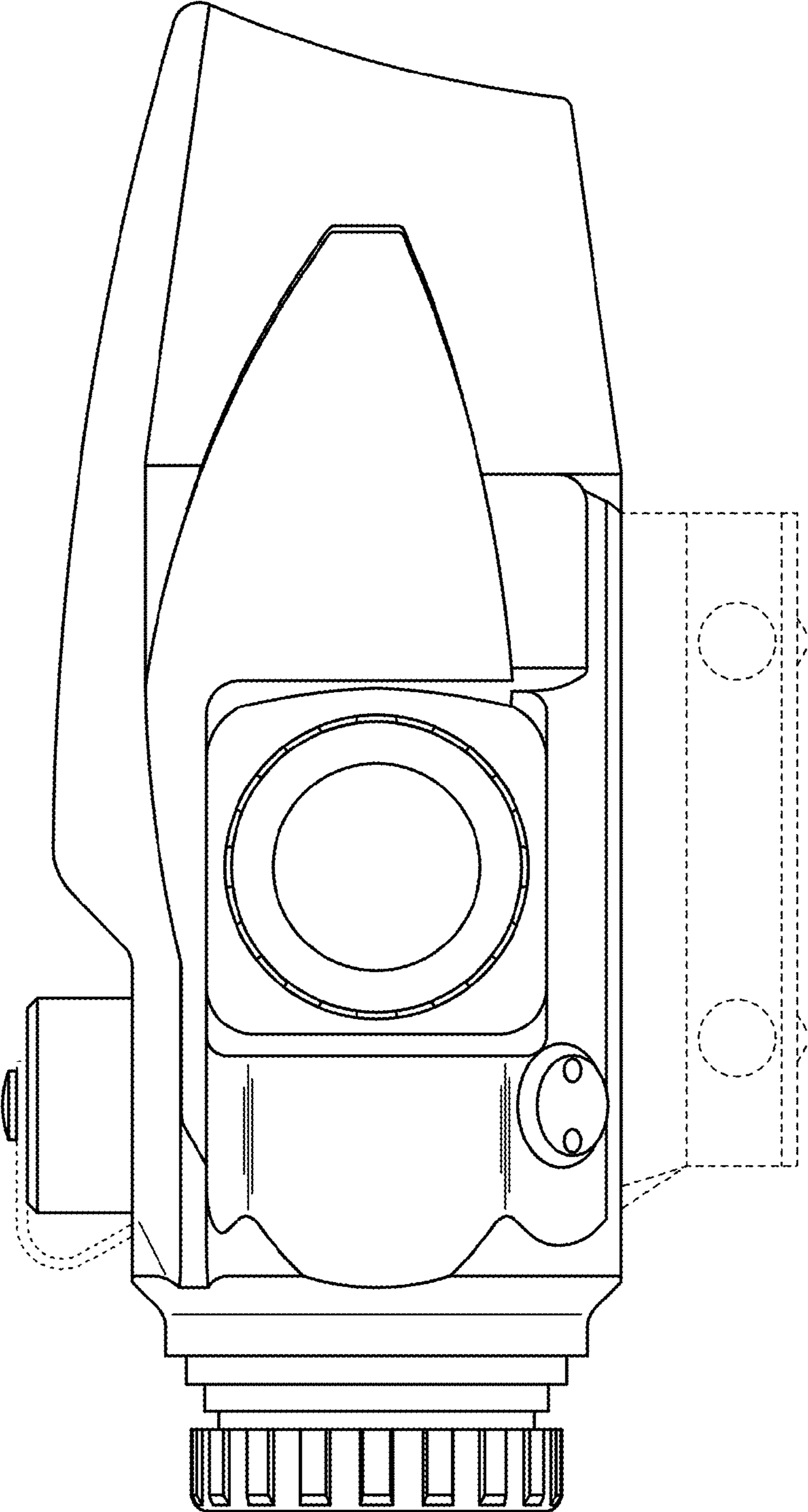


FIG. 4

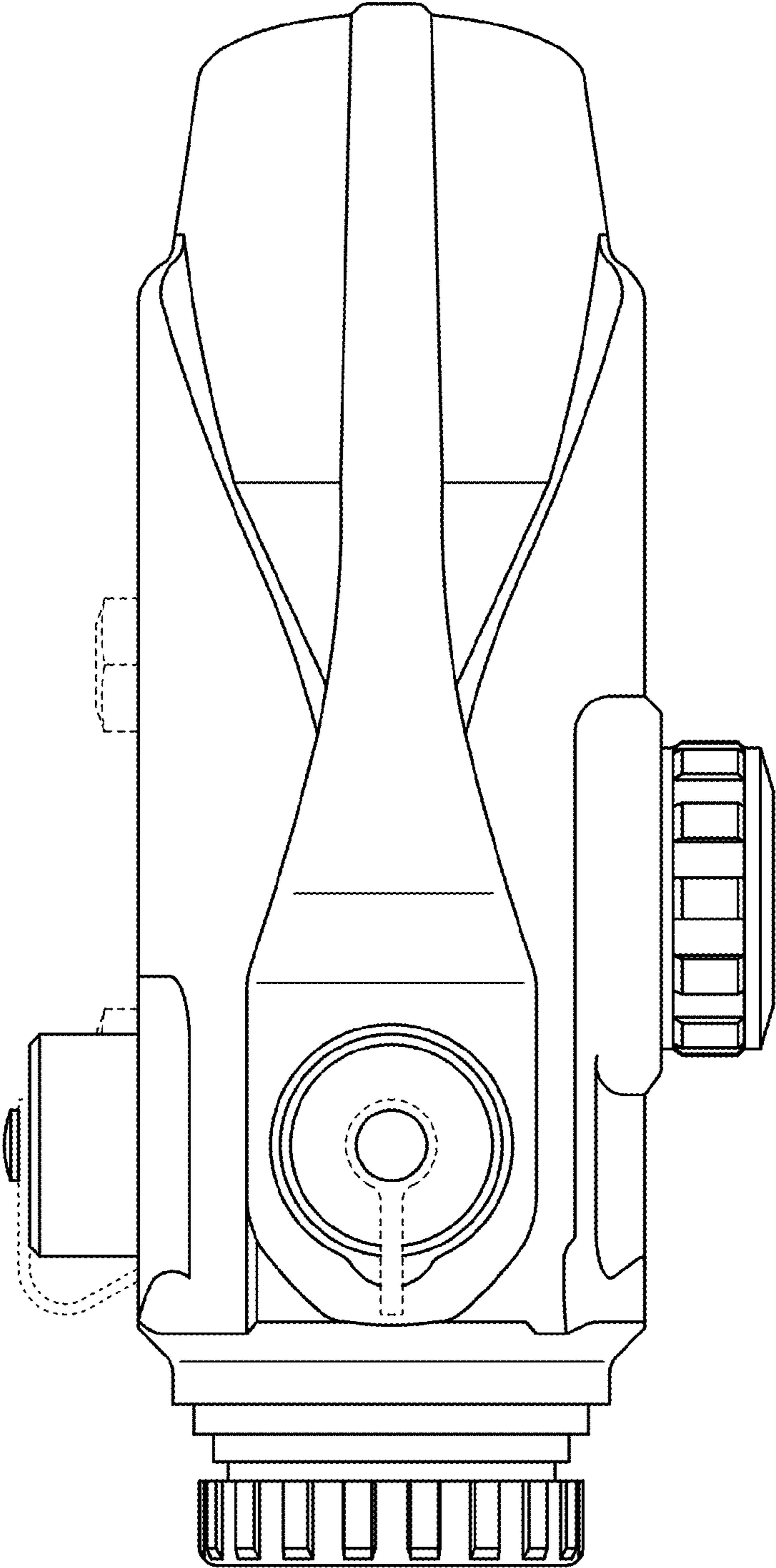


FIG. 5

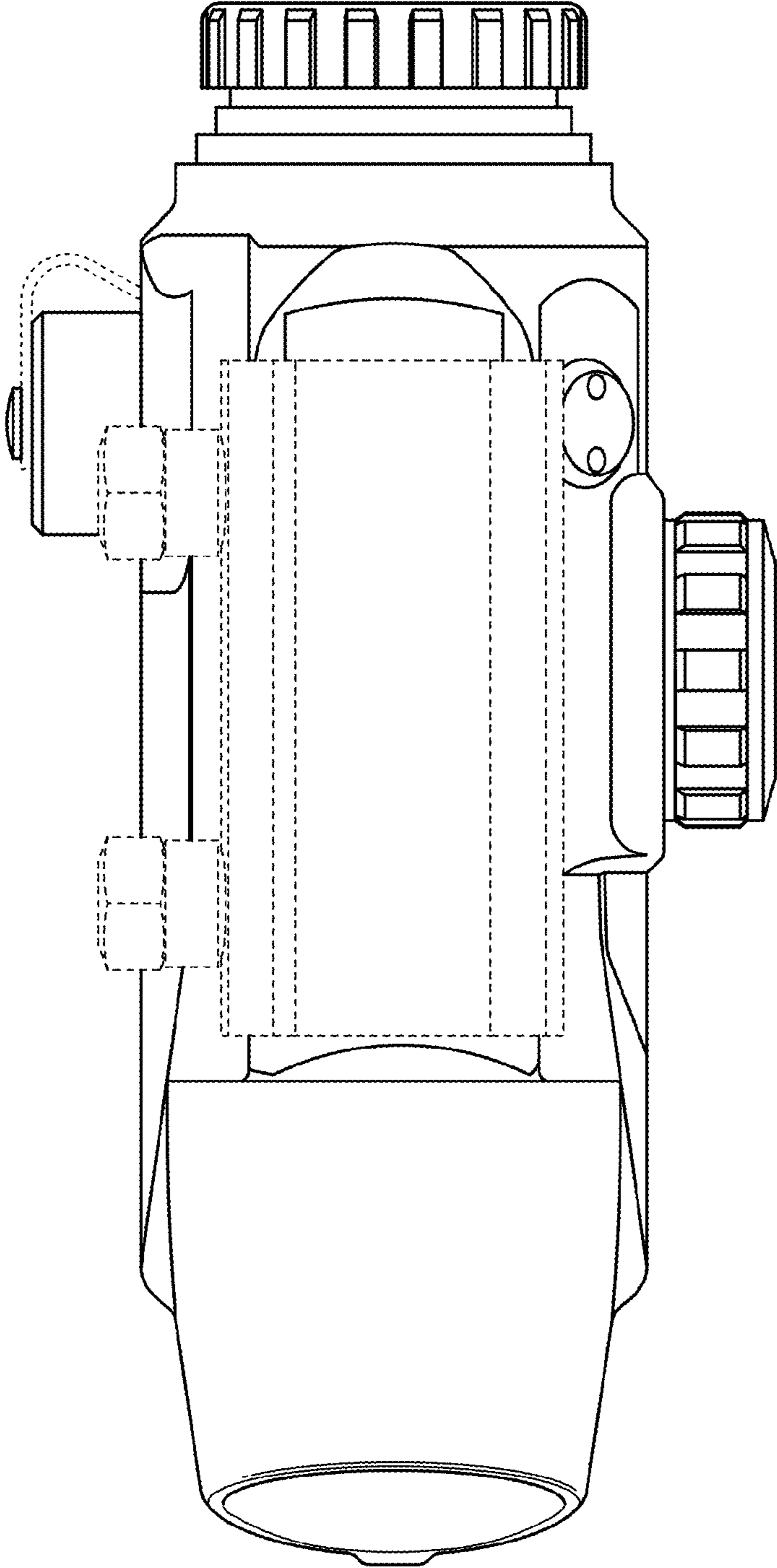


FIG. 7

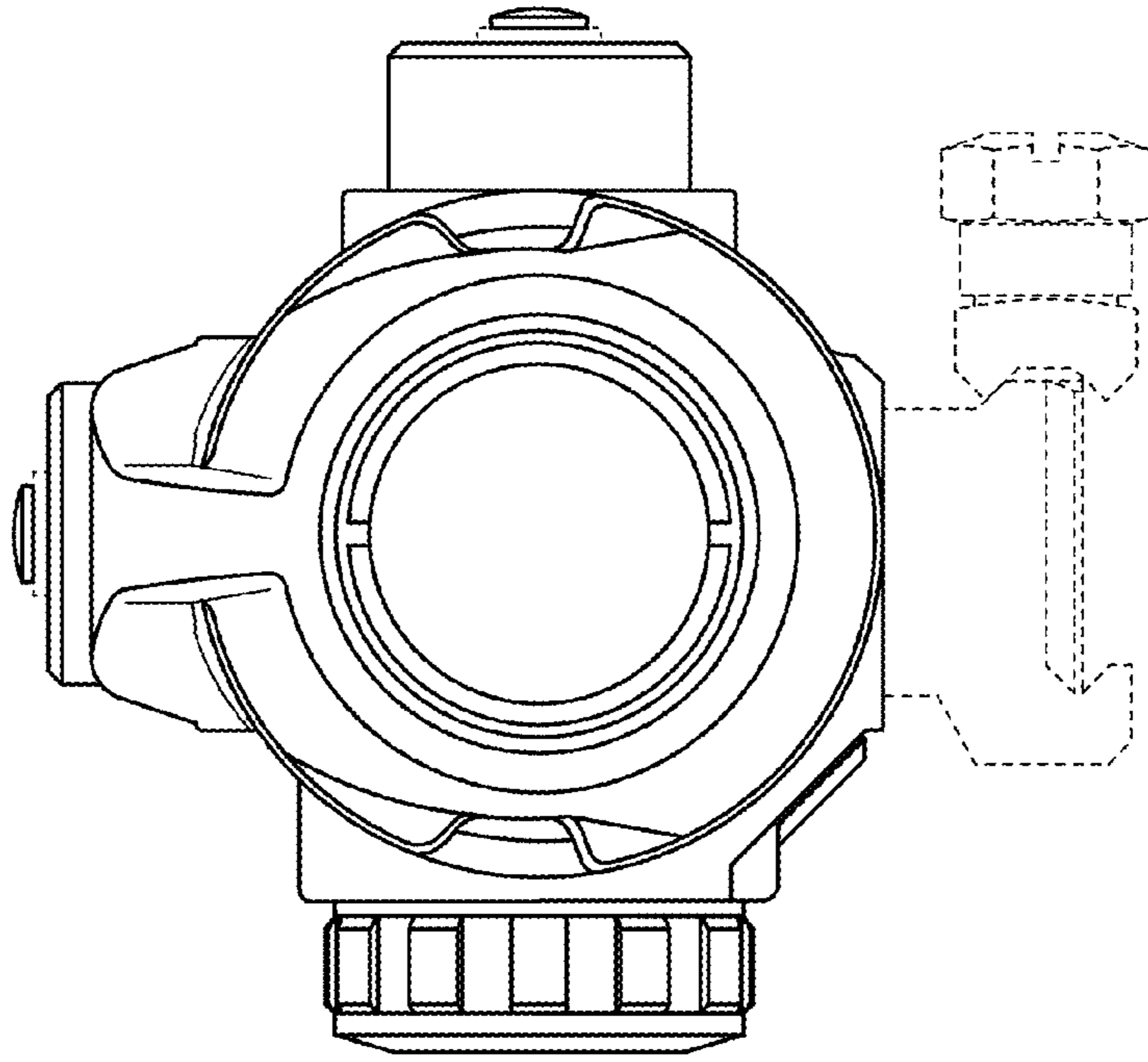


FIG. 6

