



US00D764005S

(12) **United States Design Patent**  
**Neil**

(10) **Patent No.:** **US D764,005 S**

(45) **Date of Patent:** **\*\* Aug. 16, 2016**

(54) **RIFLE LOWER RECEIVER**

(71) Applicant: **Viking Armament Inc.**, Grand Junction,  
CO (US)

(72) Inventor: **Michael G. Neil**, Grand Junction, CO  
(US)

(73) Assignee: **Viking Armament Inc.**, Grand Junction,  
CO (US)

(\*\*) Term: **14 Years**

(21) Appl. No.: **29/517,478**

(22) Filed: **Feb. 12, 2015**

(51) **LOC (10) Cl.** ..... **22-01**

(52) **U.S. Cl.**  
USPC ..... **D22/108**

(58) **Field of Classification Search**  
USPC ..... D22/103, 108; D21/572-575  
CPC ..... F41A 21/30; F41A 21/325  
See application file for complete search history.

(56) **References Cited**

**U.S. PATENT DOCUMENTS**

8,789,305 B1 \* 7/2014 DiChario ..... 42/75.03  
D713,485 S \* 9/2014 Firpo et al. .... D22/108  
D729,893 S \* 5/2015 Foster ..... D22/103  
2013/0227869 A1 \* 9/2013 Thordsen ..... 42/6

2014/0075815 A1 \* 3/2014 Jarboe ..... 42/73  
2014/0237878 A1 \* 8/2014 Lambert ..... 42/75.01  
2014/0305019 A1 \* 10/2014 King, Jr. .... 42/71.01  
2014/0331535 A1 \* 11/2014 Robinson et al. .... 42/6  
2015/0000171 A1 \* 1/2015 Roberts ..... 42/75.03  
2015/0101230 A1 \* 4/2015 Curtis ..... 42/75.01  
2015/0153125 A1 \* 6/2015 Lutton et al. .... 42/69.01  
2015/0176944 A1 \* 6/2015 Kupanoff ..... 42/73  
2015/0198394 A1 \* 7/2015 Hochstrate et al. .... 42/17

\* cited by examiner

*Primary Examiner* — Michael A Pratt

(74) *Attorney, Agent, or Firm* — Colorado Patents

(57) **CLAIM**

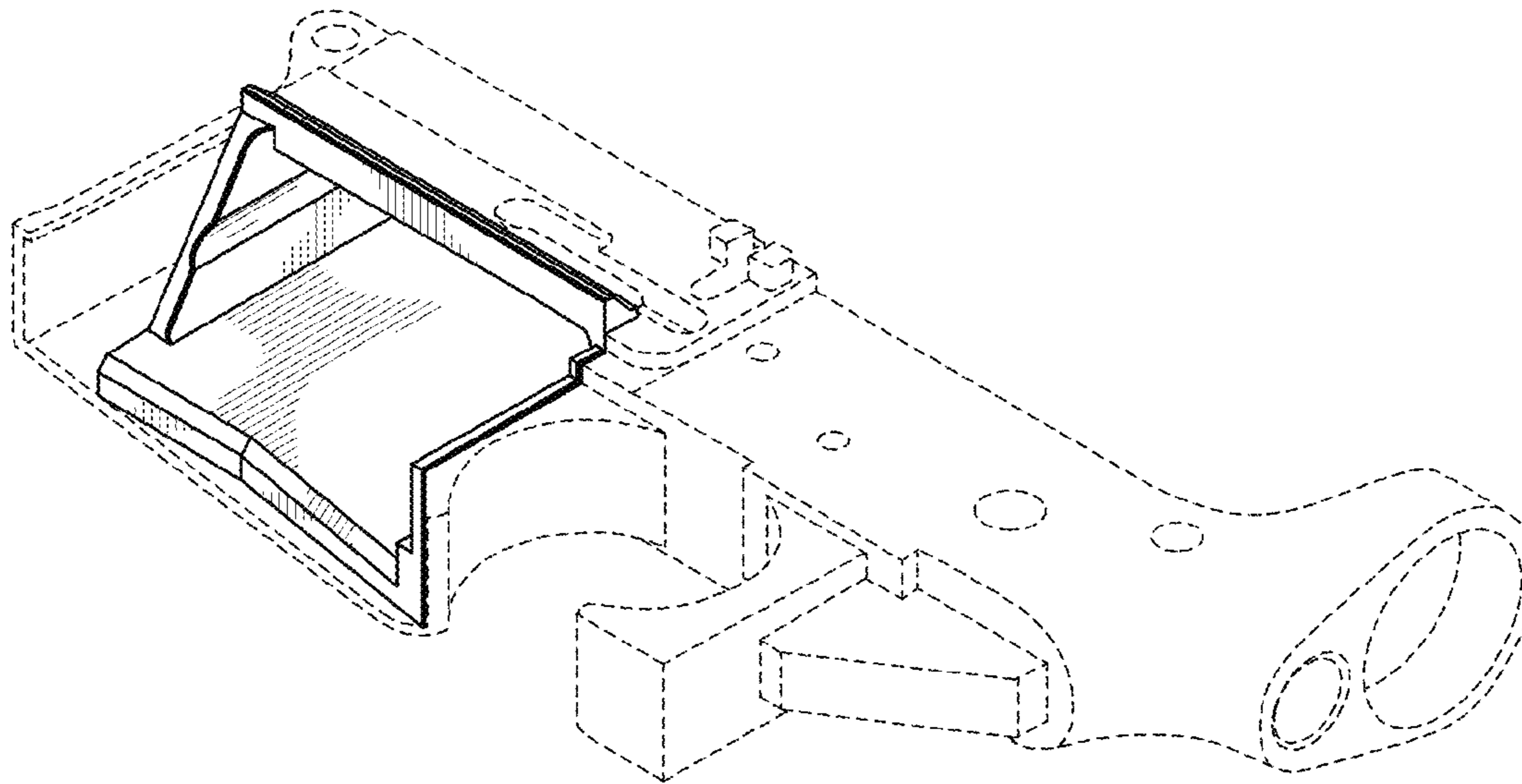
The ornamental design for a rifle lower receiver, as shown and described.

**DESCRIPTION**

FIG. 1 is a perspective view of my new design for a rifle lower receiver;  
FIG. 2 is a left side view of the rifle lower receiver shown in FIG. 1;  
FIG. 3 is a front view of the rifle lower receiver of FIG. 1;  
FIG. 4 is a rear view of the rifle lower receiver of FIG. 1;  
FIG. 5 is a right side view of the rifle lower receiver of FIG. 1;  
FIG. 6 is a top plan view of the rifle lower receiver of FIG. 1;  
and,  
FIG. 7 is a bottom plan view of the rifle lower receiver of FIG. 1.

The broken lines are shown for illustrative purposes only and form no part of the claimed design.

**1 Claim, 3 Drawing Sheets**



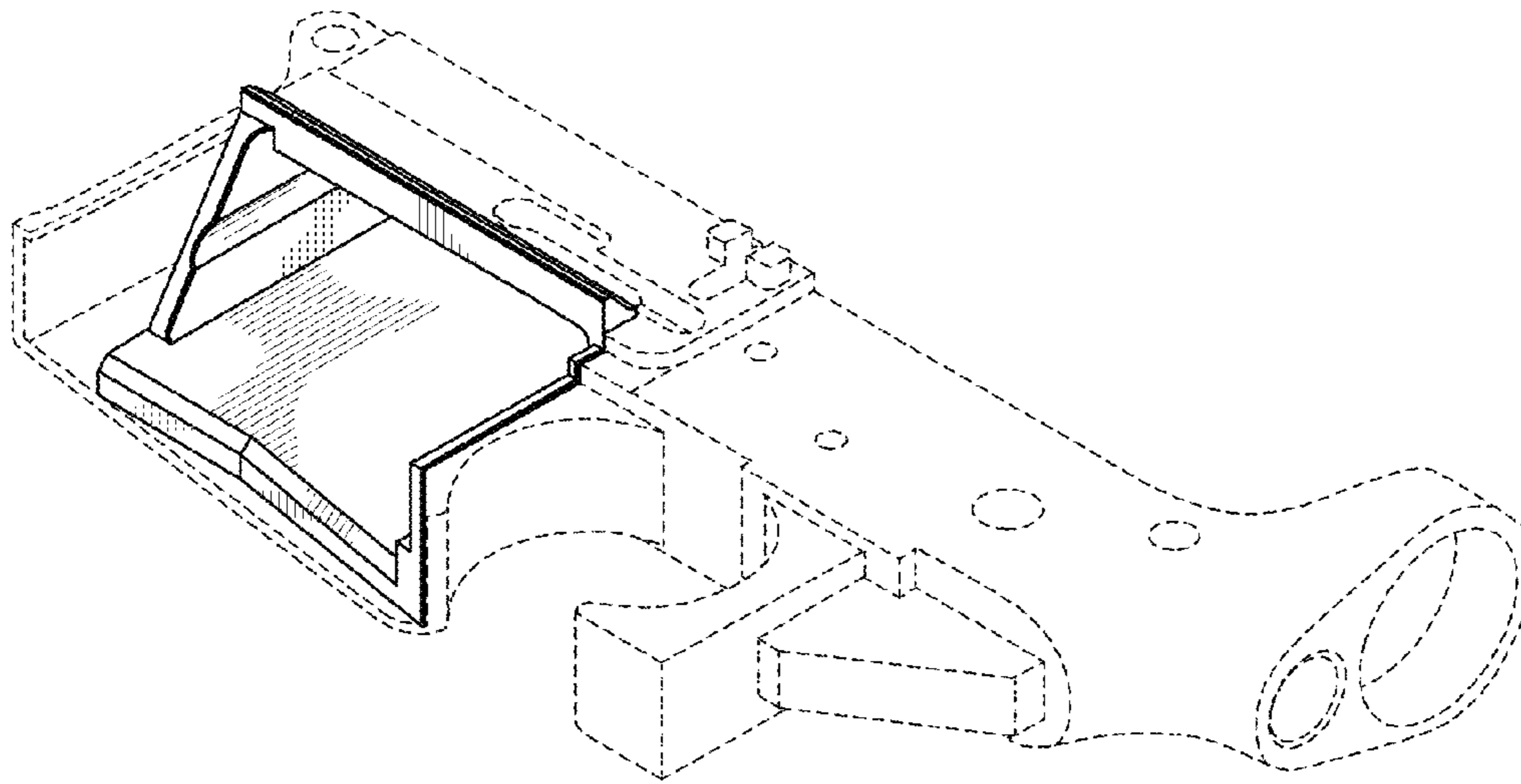


FIG. 1

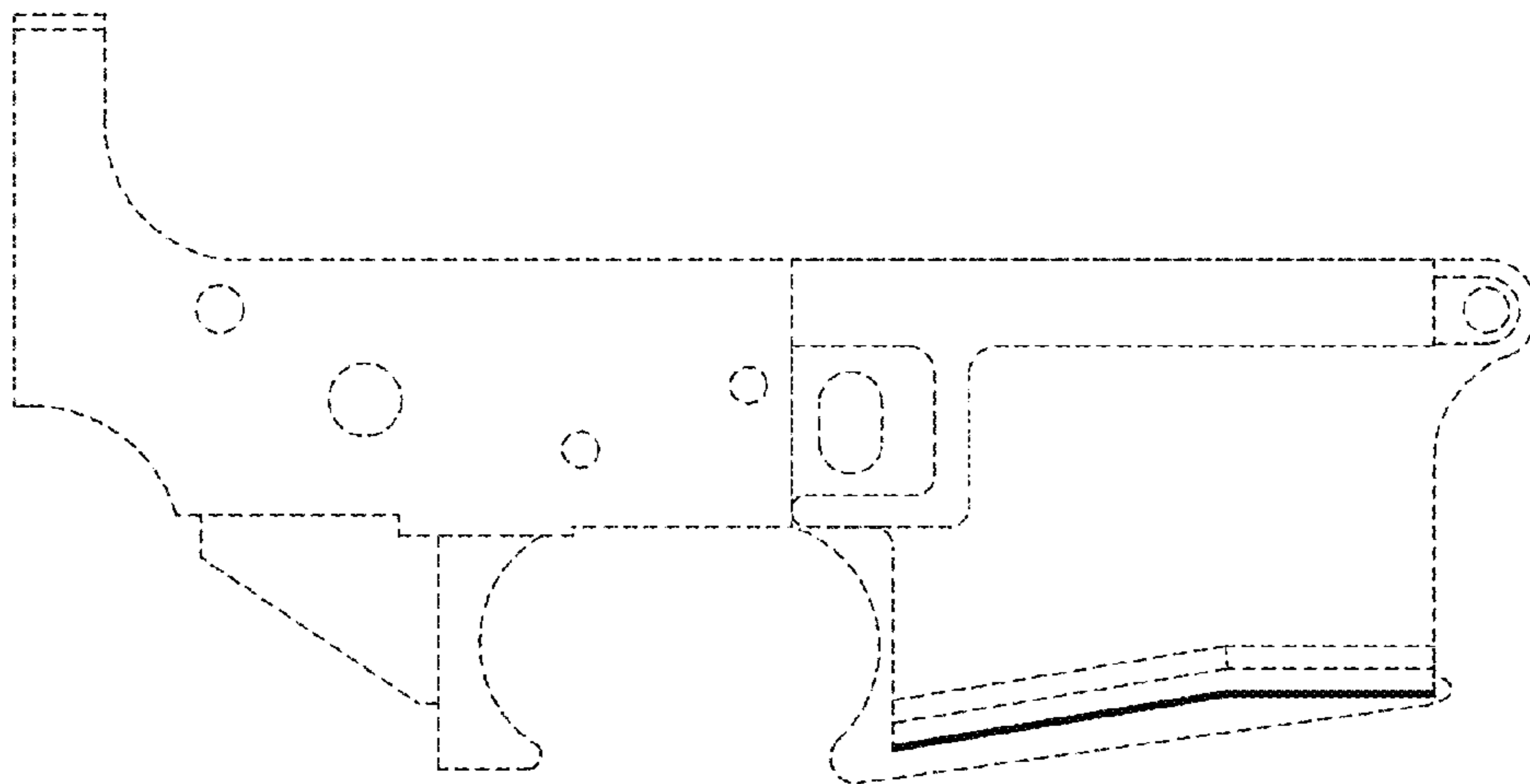


FIG. 2

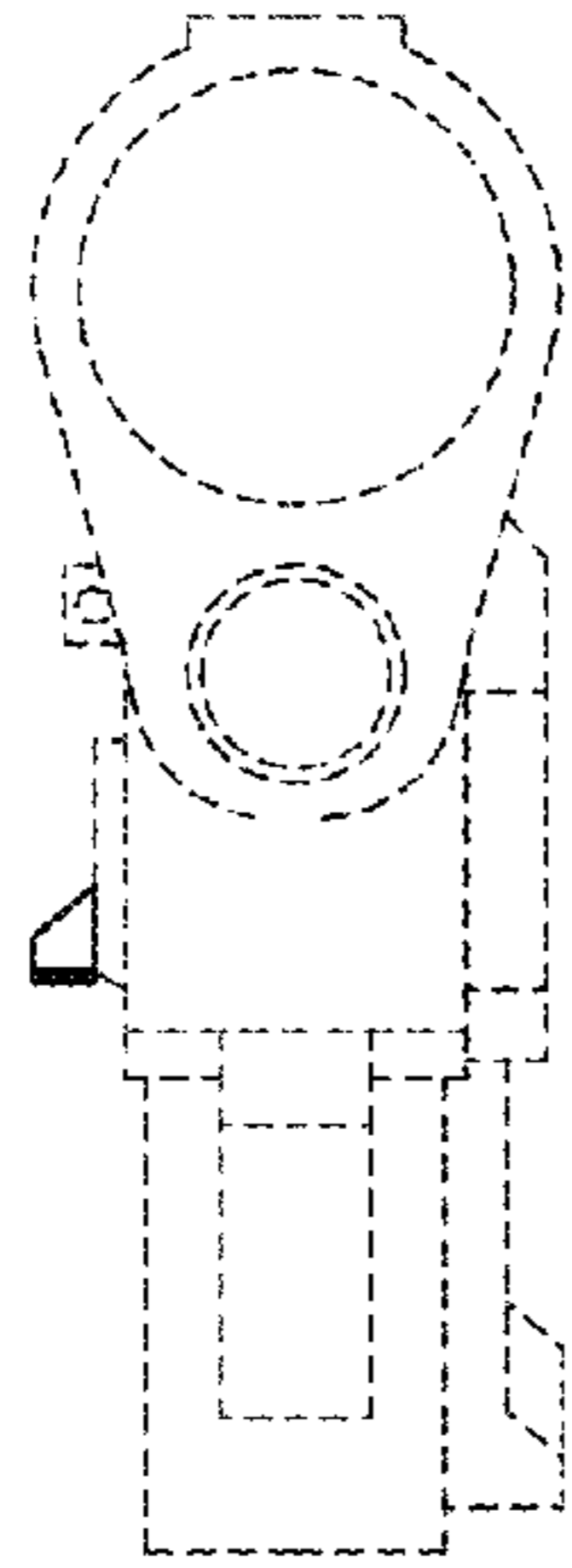


FIG. 3

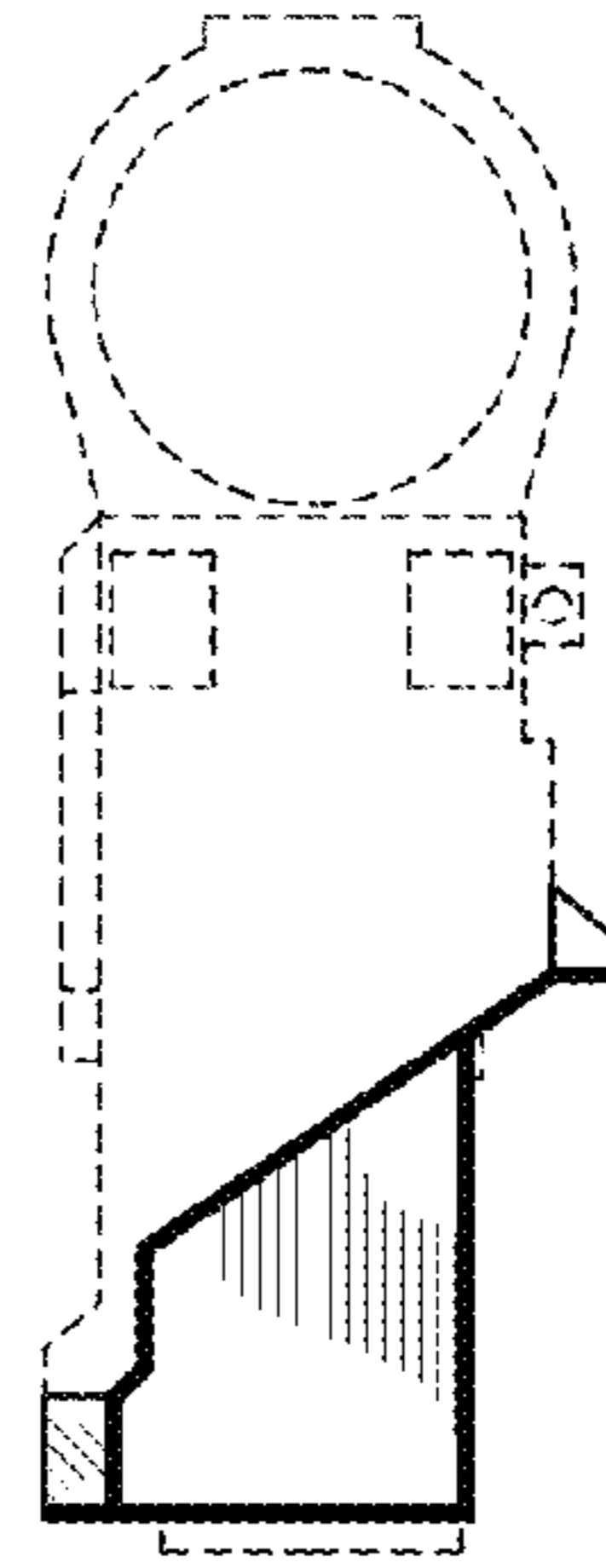


FIG. 4

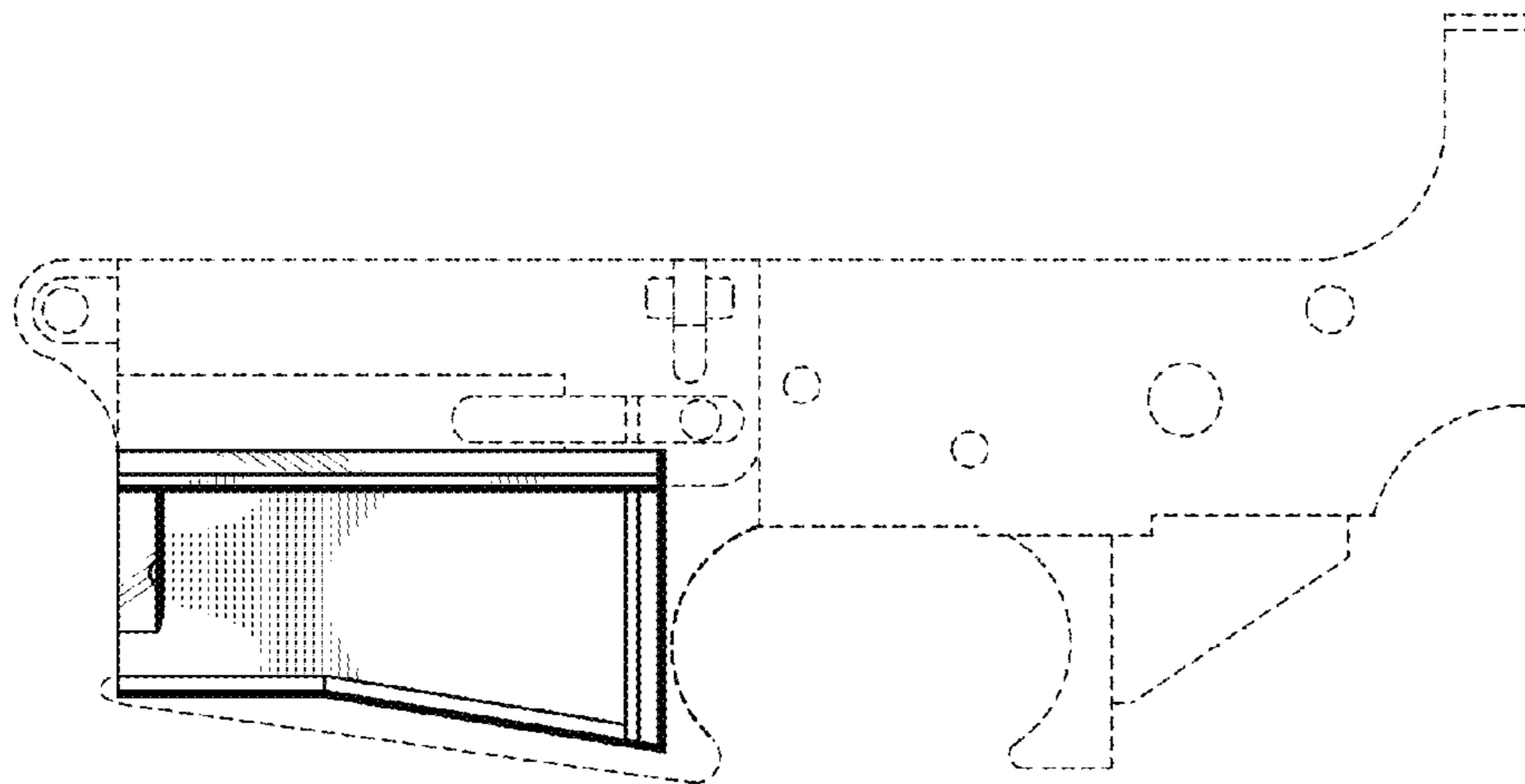


FIG. 5

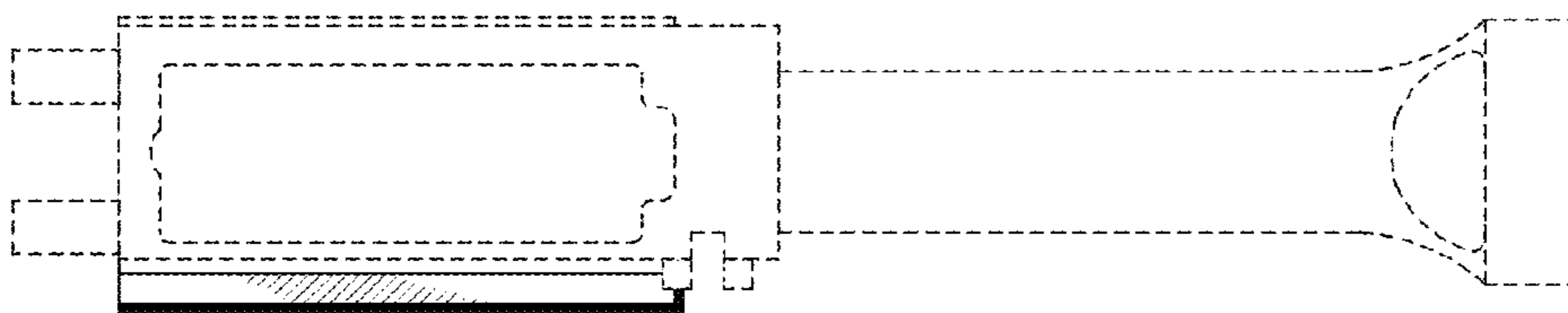


FIG. 6

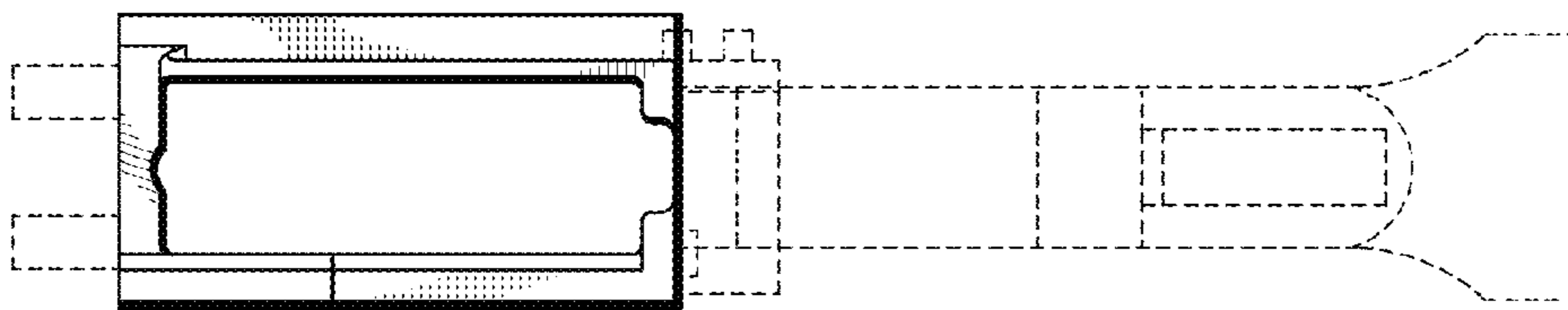


FIG. 7