



US00D764004S

(12) **United States Design Patent**
Bender

(10) **Patent No.:** **US D764,004 S**

(45) **Date of Patent:** **** Aug. 16, 2016**

- (54) **FIREARM TRIGGER**
- (71) Applicant: **Terrence Dwight Bender**, Minneapolis, MN (US)
- (72) Inventor: **Terrence Dwight Bender**, Minneapolis, MN (US)
- (73) Assignee: **In Ovation LLC**, Minneapolis, MN (US)

7,526,889	B2	5/2009	Metzger et al.	
D593,617	S *	6/2009	Dochterman	D21/573
7,600,338	B2	10/2009	Geissele	
7,661,220	B2	2/2010	Crandall et al.	
D624,609	S *	9/2010	Stein	D21/573
7,854,084	B1	12/2010	Rutherford	
D659,790	S *	5/2012	Geissele	D22/108
8,572,880	B2	11/2013	Bender	
8,667,881	B1	3/2014	Hawbaker	
9,146,067	B2 *	9/2015	Stakes	F41A 19/10
D740,907	S *	10/2015	Oglesby	D22/108
2006/0101695	A1	5/2006	Longueira	
2009/0266348	A1 *	10/2009	Yeh	F41B 11/00 124/31

(**) Term: **14 Years**

(21) Appl. No.: **29/506,962**

(22) Filed: **Oct. 22, 2014**

(51) **LOC (10) Cl.** **22-01**

(52) **U.S. Cl.**
USPC **D22/108**

(58) **Field of Classification Search**
USPC D22/103, 108; D21/572; D8/68
CPC F41A 19/10; F41A 17/46; F41A 35/00;
F41A 19/09; F41A 19/11; F41A 19/21;
F41C 27/00
See application file for complete search history.

(56) **References Cited**

U.S. PATENT DOCUMENTS

4,310,981	A	1/1982	Waddell	
5,463,829	A	11/1995	Sprangers	
5,881,485	A	3/1999	Milazzo	
5,904,132	A	5/1999	Biller	
6,131,324	A	10/2000	Jewell	
6,615,527	B1	9/2003	Martin	
6,722,072	B1	4/2004	McCormick	
D504,168	S *	4/2005	McCormick	D22/108
7,162,824	B1	1/2007	McCormick	
7,188,561	B1	3/2007	Kelbly	
7,293,385	B2	11/2007	McCormick	
7,331,136	B2	2/2008	Geissele	
7,421,937	B1	9/2008	Gangl	

(Continued)

OTHER PUBLICATIONS

Zediker, Glenn, AR15 Triggers, Zediker Publishing, 2007, pp. 1-3.

(Continued)

Primary Examiner — Michael A Pratt

(74) *Attorney, Agent, or Firm* — Vidas, Arrett & Steinkraus

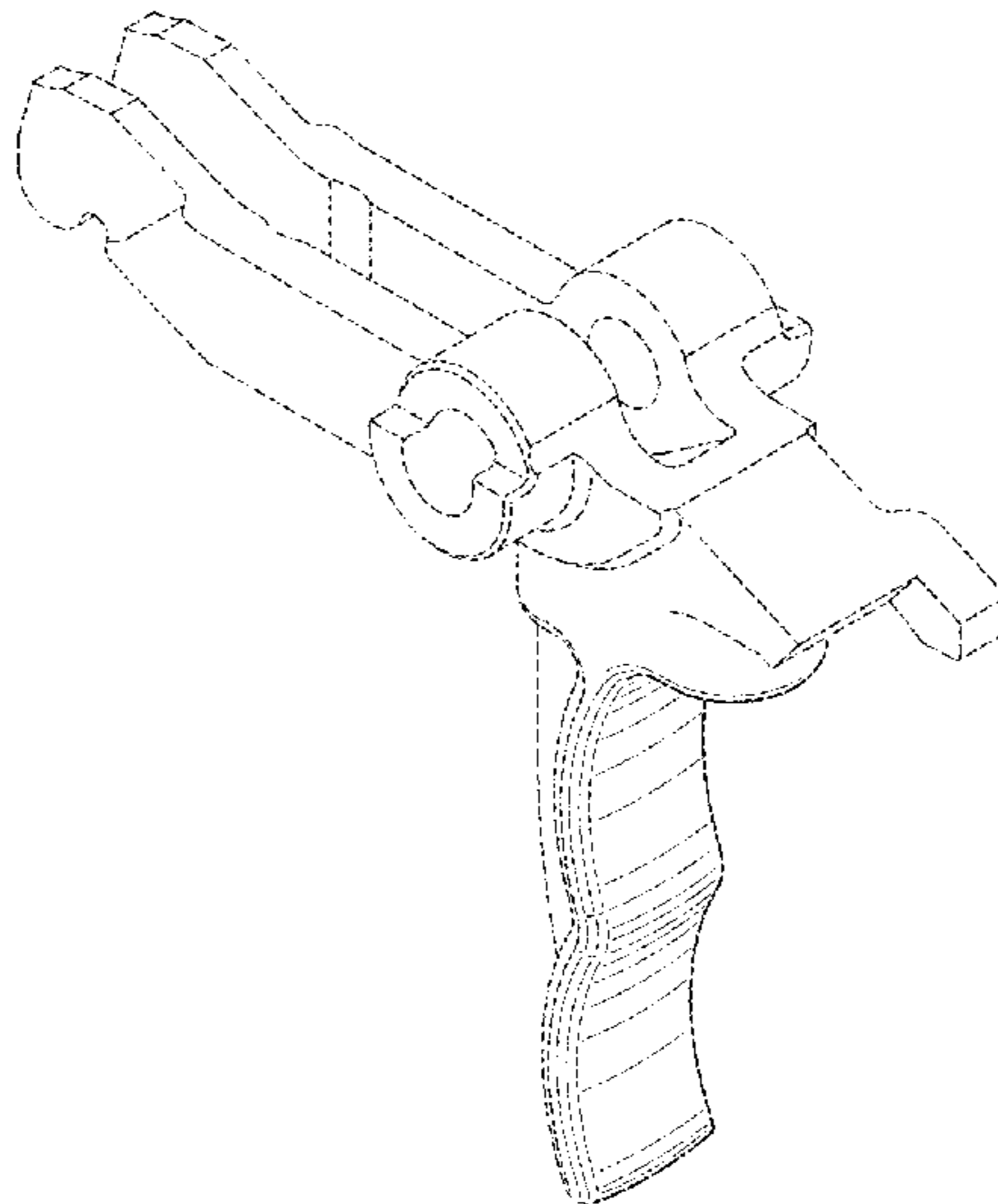
(57) **CLAIM**

The ornamental design for a firearm trigger, as shown and described.

DESCRIPTION

FIG. 1 is a front angled isometric view of the firearm trigger; FIG. 2 is a rear angled isometric view of the firearm trigger; FIG. 3 is a right side view of the firearm trigger; FIG. 4 is a left side view of the firearm trigger; FIG. 5 is a rear view of the firearm trigger; FIG. 6 is a front view of the firearm trigger; FIG. 7 is a top view of the firearm trigger; and, FIG. 8 is a bottom view of the firearm trigger. Broken lines in the Figures show boundaries or environmental structure. The broken lines are not part of the claimed design.

1 Claim, 5 Drawing Sheets



(56)

References Cited

U.S. PATENT DOCUMENTS

2010/0281739	A1	11/2010	Geissele	
2011/0185615	A1*	8/2011	Gangl	F41A 17/46 42/69.01
2013/0192116	A1*	8/2013	Elftmann, Jr.	F41A 19/10 42/69.01
2014/0075812	A1	3/2014	Johnson	
2014/0259845	A1*	9/2014	Johnson	F41A 19/09 42/69.01
2014/0366418	A1*	12/2014	Stakes	F41A 19/10 42/69.03
2015/0020426	A1*	1/2015	Neergaard	F41A 19/10 42/69.01
2015/0153125	A1*	6/2015	Lutton	F41A 17/46 42/69.01
2015/0233662	A1*	8/2015	Ruiz	F41A 19/10 42/69.03
2015/0338182	A1*	11/2015	Lipowski	F41A 19/16 124/23.1

OTHER PUBLICATIONS

<http://www.compasslake.com/trigger.htm>, Jan. 26, 2012.
http://www.jprifles.com/1.4.8.1_ezt.php, Jan. 26, 2012.
<http://cmmginc.secure-mall.com/item/CMMG-Two-Stage-Trigger-1504>, Jan. 26, 2012.
<http://shopwilsoncombat.com/Tactical-Trigger-Unit-Single-Stage-Semi-Auto/productinfo/TR-TTU/?gclid=CP6b79SY8aYCFYQUKgodTRRBBg>, Jan. 26, 2012.
<http://www.midwayusa.com/product/709049/jewell-trigger-assembly-ar-15-small-pin-154-two-stage-matte>, Jan. 26, 2012.
http://www.jardinc.com/index.php?option=com_content&view=article&id=12:ar-le&catid=18:ar-15-single-stage&Itemid=6, Jan. 26, 2012.
 Schematic drawing, Gun Assy, BFG-50A, Serbu Firearms, Inc., Apr. 25, 2011, p. 1.
 U.S. Appl. No. 61/963,410, filed Dec. 3, 2013; Inventor: Terrence D. Bender.
 U.S. Appl. No. 14/226,576, filed Mar. 26, 2014; Inventor: Terrence D. Bender.

* cited by examiner

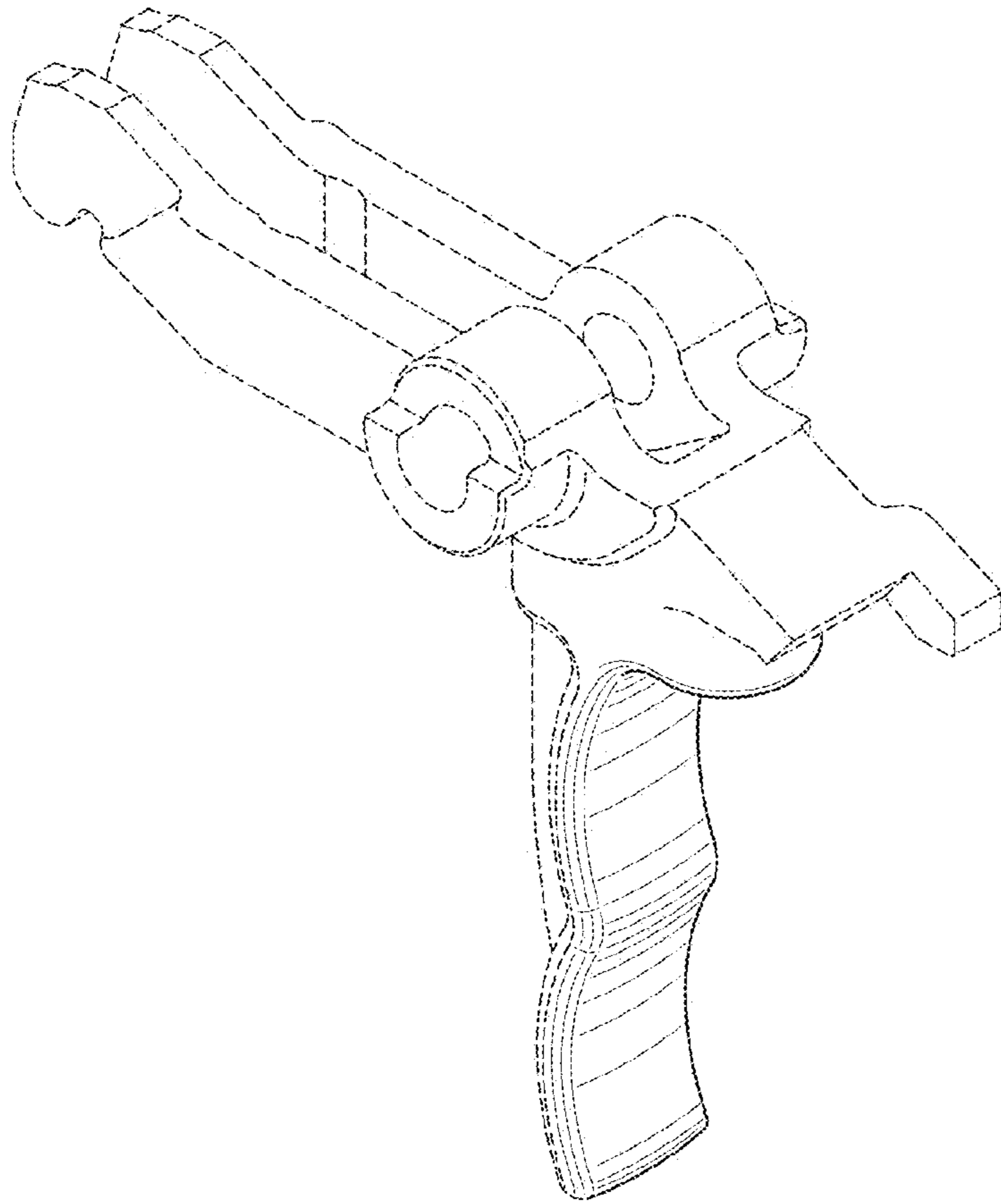


FIG. 1

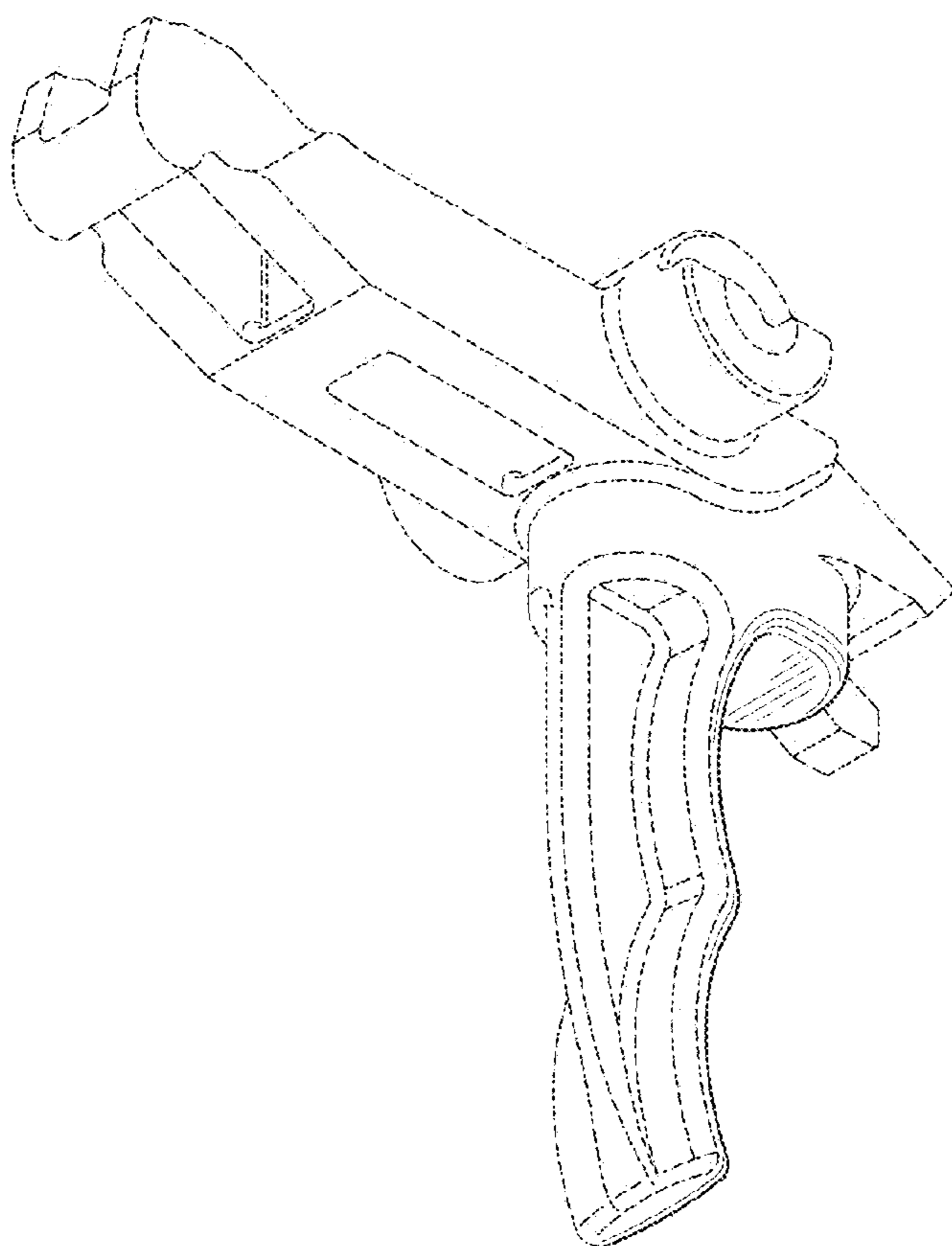


FIG. 2

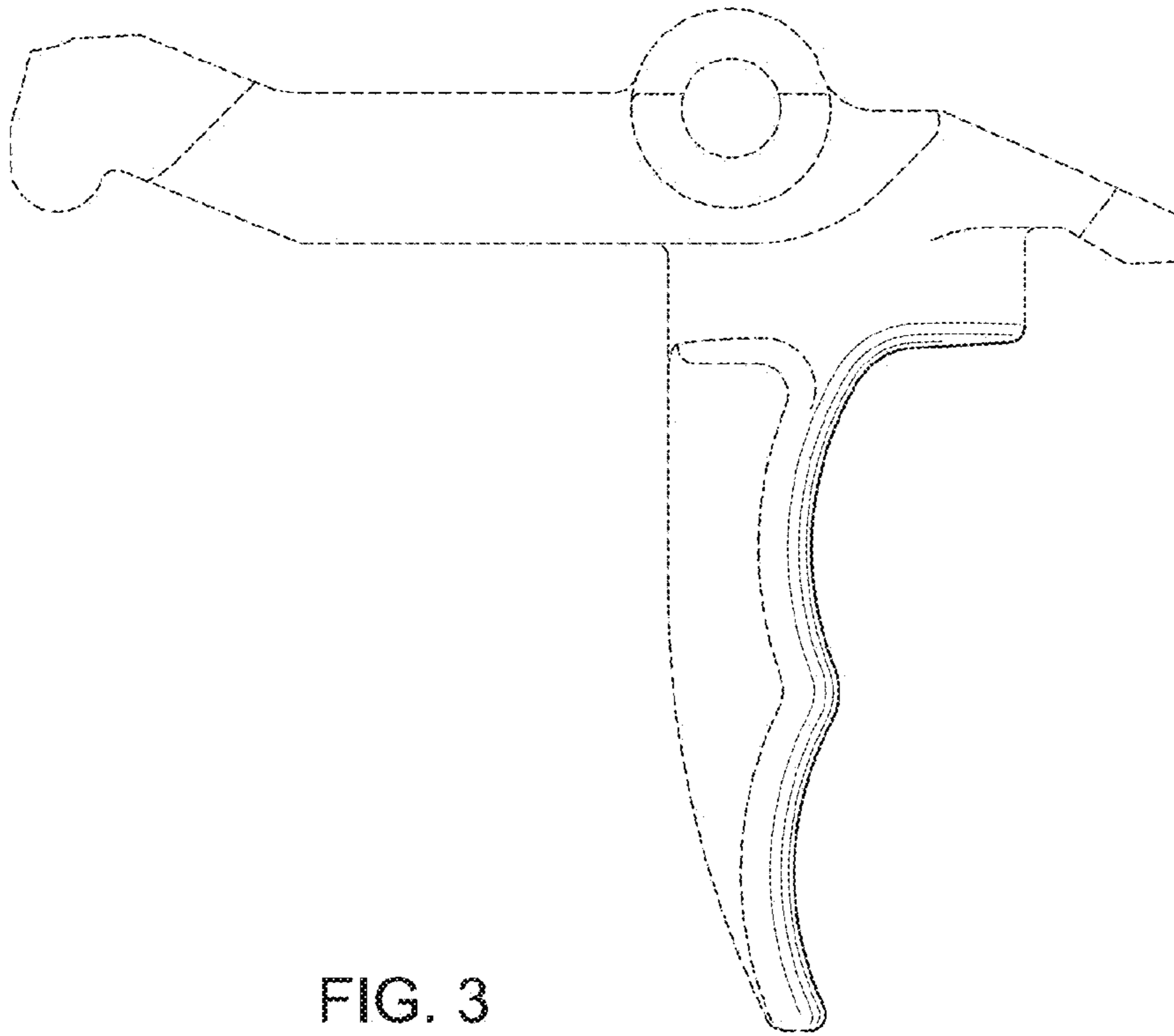


FIG. 3

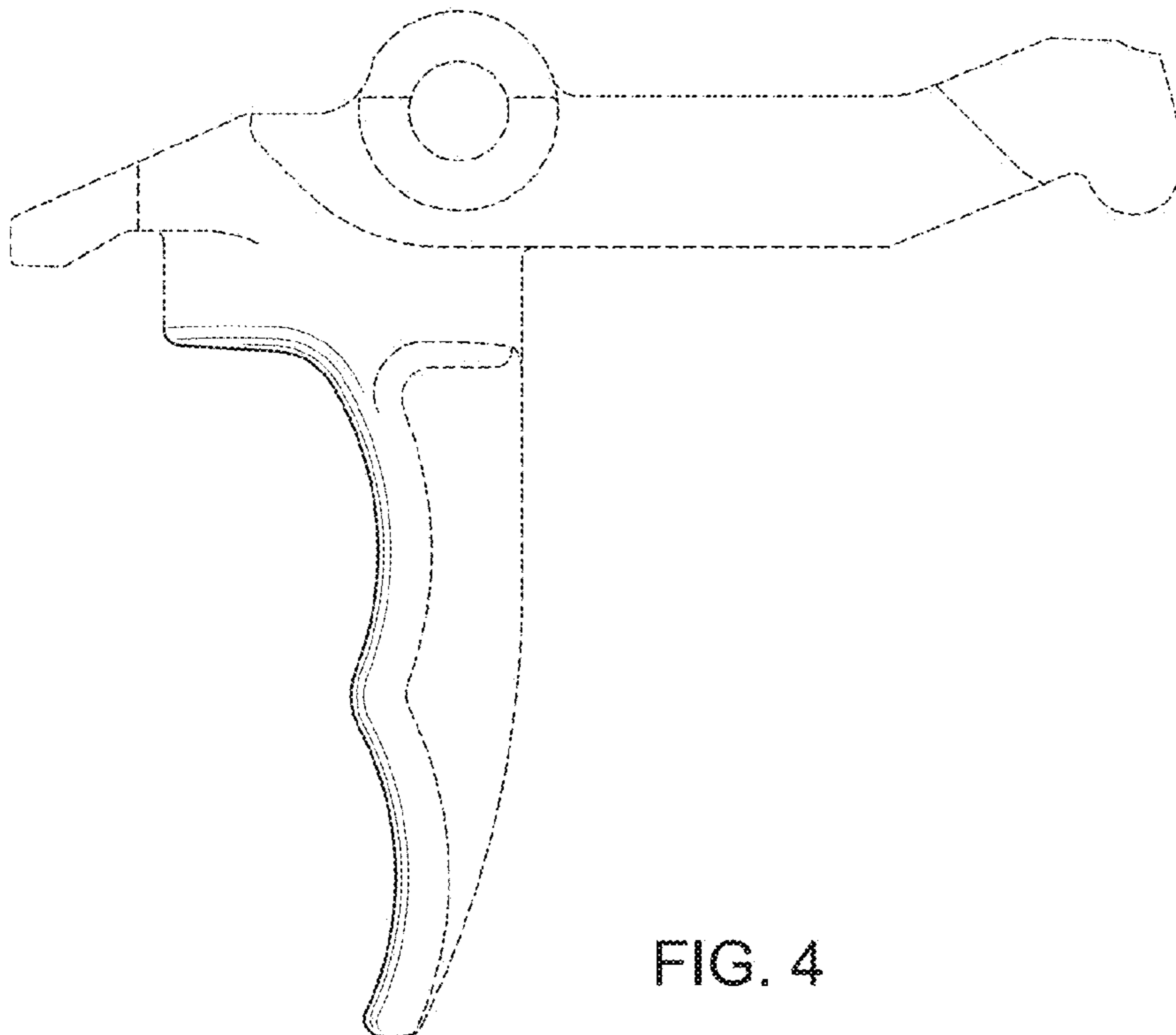


FIG. 4

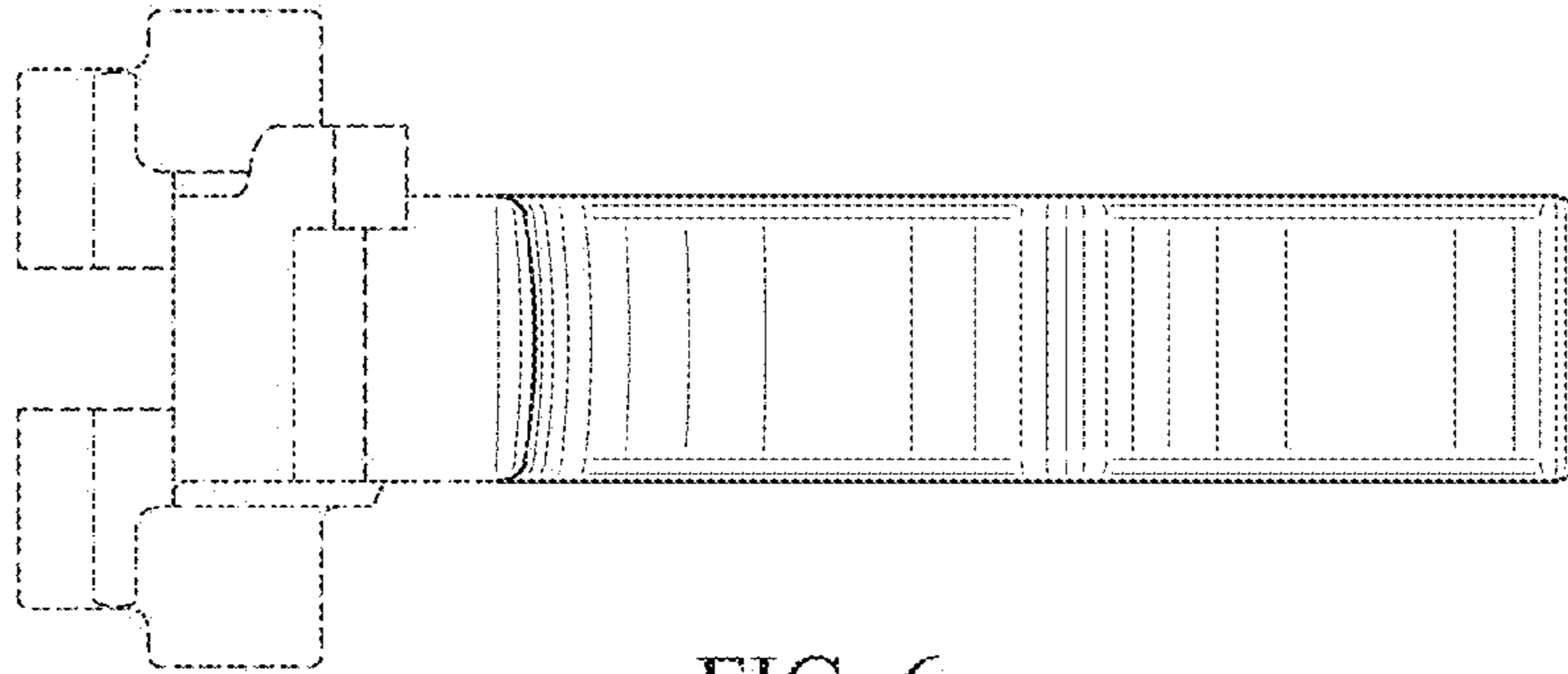


FIG. 6

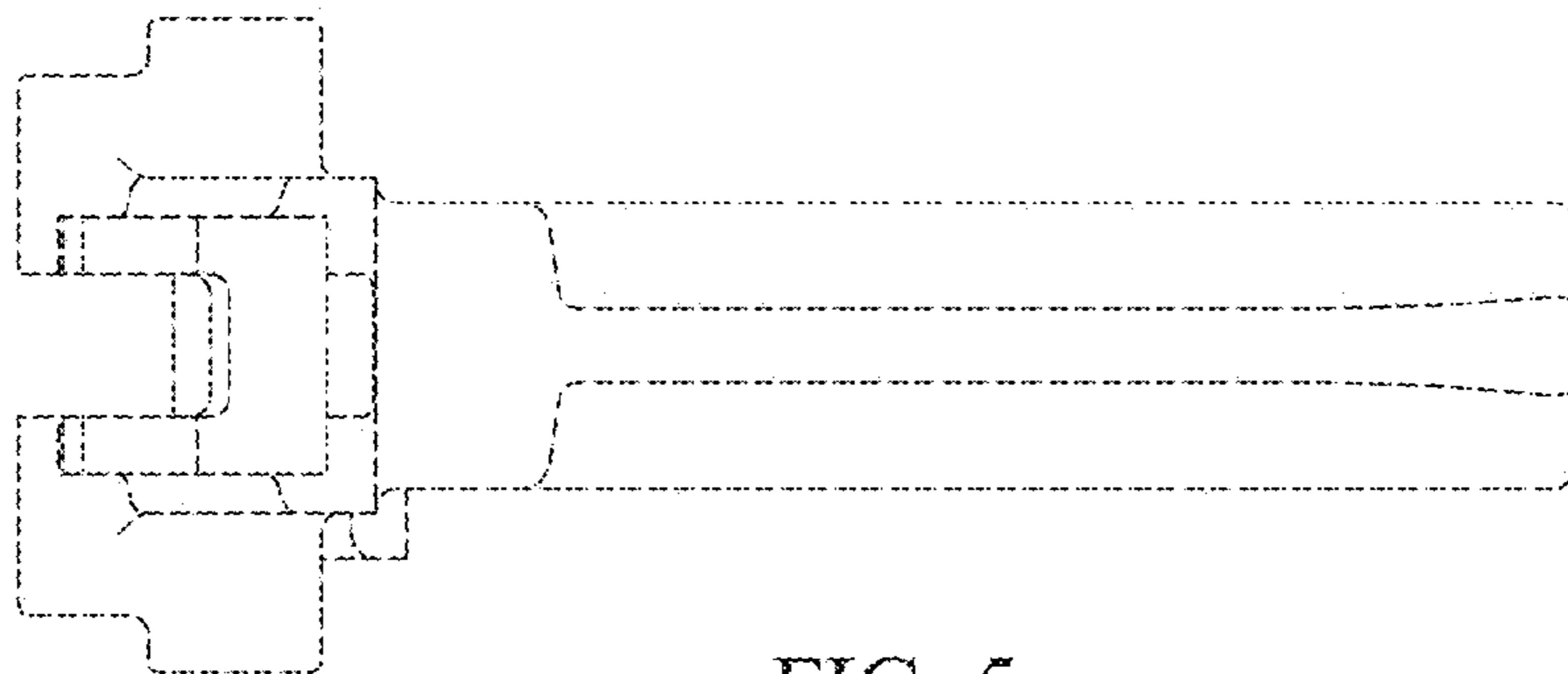


FIG. 5

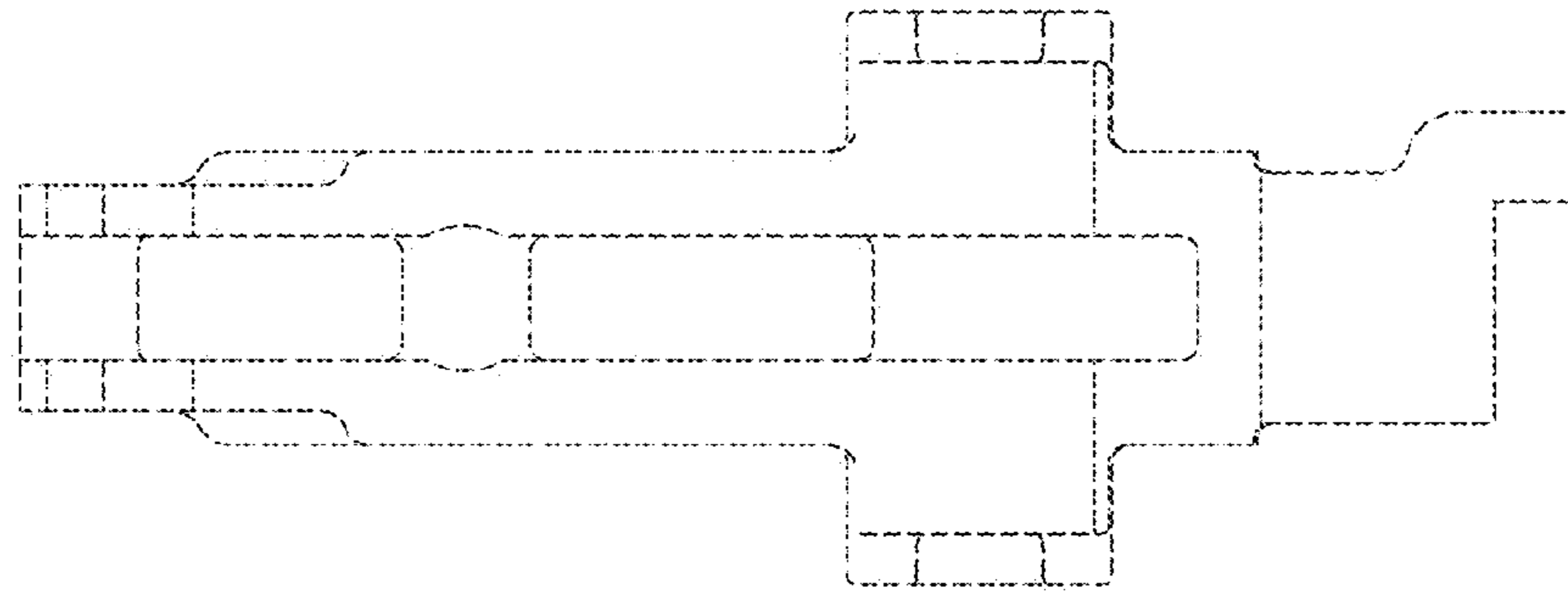


FIG. 7

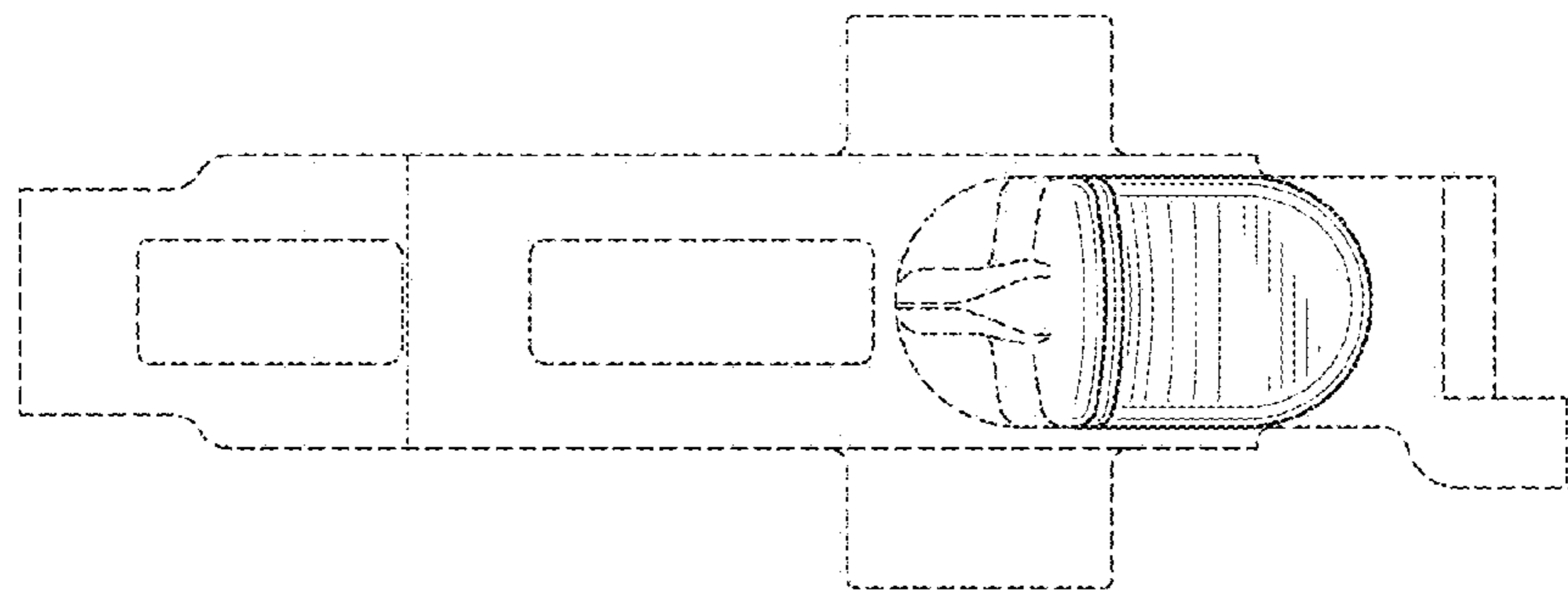


FIG. 8