



US00D764003S

(12) **United States Design Patent**
Chadwick

(10) **Patent No.:** **US D764,003 S**

(45) **Date of Patent:** **** Aug. 16, 2016**

(54) **SWIMMER TRAINING PADDLES**

(71) Applicant: **Tony Chadwick**, Ormond Beach, FL
(US)

(72) Inventor: **Rod Chadwick**, Durango, CO (US)

(73) Assignee: **Tony Chadwick**, Ormond Beach, FL
(US)

(**) Term: **14 Years**

(21) Appl. No.: **29/514,919**

(22) Filed: **Jan. 18, 2015**

(51) **LOC (10) Cl.** **21-06**

(52) **U.S. Cl.**

USPC **D21/807**

(58) **Field of Classification Search**

USPC D21/804–807; D29/100, 101.1, 101, 4;
2/456, 458, 467, 463; 441/88, 89, 106,
441/108, 111, 114–117

CPC B63C 9/115; B63C 9/087; B63C 9/093;
B63C 9/105; B63C 9/1055; B63C 9/11;
B63C 9/125; B63C 9/1255; B63C 9/13;
B63C 9/131; B63C 9/133; B63C 9/135;
B63C 9/15; B63C 9/155; B63C 9/18

See application file for complete search history.

(56) **References Cited**

U.S. PATENT DOCUMENTS

5,511,998	A *	4/1996	Johnson	A63B 31/10 441/56
6,019,650	A *	2/2000	Rives	A63B 31/10 441/56
D437,912	S *	2/2001	Chiang	D21/803
D484,559	S *	12/2003	Peek	D21/807
7,179,146	B2 *	2/2007	Johnson	A63B 31/10 441/56

* cited by examiner

Primary Examiner — Zenia Bennett

(74) *Attorney, Agent, or Firm* — Nancy J. Flint, Esq.; Nancy J. Flint, Attorney At Law, P.A.

(57) **CLAIM**

The ornamental design for swimmer training paddles, as shown and described.

DESCRIPTION

FIG. 1 is a perspective view of a pair of a first embodiment of swimmer training paddles in the open position showing my new design;

FIG. 2 is a front view of a pair of a first embodiment of swimmer training paddles in the open position;

FIG. 3 is a back view of a pair of a first embodiment of swimmer training paddles in the open position;

FIG. 4 is a top view of a pair of a first embodiment of swimmer training paddles in the open position;

FIG. 5 is a bottom view of a pair of a first embodiment of swimmer training paddles in the open position;

FIG. 6 is a left side view of a pair of a first embodiment of swimmer training paddles in the open position;

FIG. 7 is a right side view of a pair of a first embodiment of swimmer training paddles in the open position;

FIG. 8 is a top view of a pair of a first embodiment of swimmer training paddles in the open position as worn by a user;

FIG. 9 is a perspective view of a pair of a first embodiment of swimmer training paddles in the flexed position;

FIG. 10 is a front view of a pair of a first embodiment of swimmer training paddles in the flexed position;

FIG. 11 is a back view of a pair of a first embodiment of swimmer training paddles in the flexed position;

FIG. 12 is a top view of a pair of a first embodiment of swimmer training paddles in the flexed position;

FIG. 13 is a bottom view of a pair of a first embodiment of swimmer training paddles in the flexed position;

FIG. 14 is a left side view of a pair of a first embodiment of swimmer training paddles in the flexed position;

FIG. 15 is a right side view of a pair of a first embodiment of swimmer training paddles in the flexed position;

FIG. 16 is a top view of a pair of a first embodiment of swimmer training paddles in the flexed position as worn by a user;

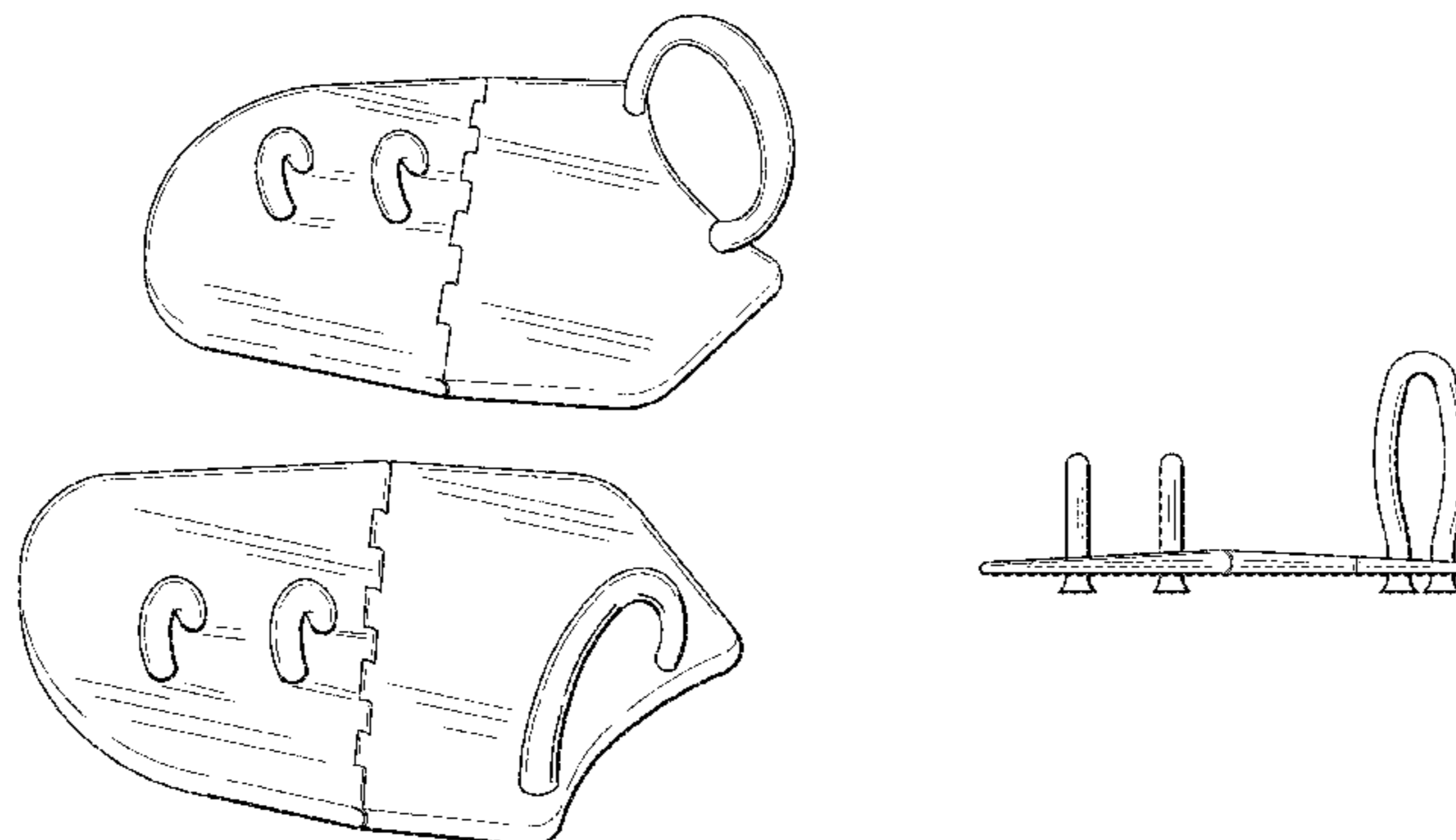


FIG. 17 is a perspective view of a pair of a second embodiment of swimmer training paddles in the open position showing my new design;

FIG. 18 is a front view of a pair of a second embodiment of swimmer training paddles in the open position;

FIG. 19 is a back view of a pair of a second embodiment of swimmer training paddles in the open position;

FIG. 20 is a top view of a pair of a second embodiment of swimmer training paddles in the open position;

FIG. 21 is a bottom view of a pair of a second embodiment of swimmer training paddles in the open position;

FIG. 22 is a left side view of a pair of a second embodiment of swimmer training paddles in the open position;

FIG. 23 is a right side view of a pair of a second embodiment of swimmer training paddles in the open position;

FIG. 24 is a top view of a pair of a second embodiment of swimmer training paddles in the open position as worn by a user;

FIG. 25 is a perspective view of a pair of a second embodiment of swimmer training paddles in the flexed position;

FIG. 26 is a front view of a pair of a second embodiment of swimmer training paddles in the flexed position;

FIG. 27 is a back view of a pair of a second embodiment of swimmer training paddles in the flexed position;

FIG. 28 is a top view of a pair of a second embodiment of swimmer training paddles in the flexed position;

FIG. 29 is a bottom view of a pair of a second embodiment of swimmer training paddles in the flexed position;

FIG. 30 is a left side view of a pair of a second embodiment of swimmer training paddles in the flexed position;

FIG. 31 is a right side view of a pair of a second embodiment of swimmer training paddles in the flexed position; and,

FIG. 32 is a top view of a pair of a second embodiment of swimmer training paddles in the flexed position as worn by a user.

Any broken lines illustrative of environmental structure in the drawings are not part of the design sought to be patented.

1 Claim, 16 Drawing Sheets

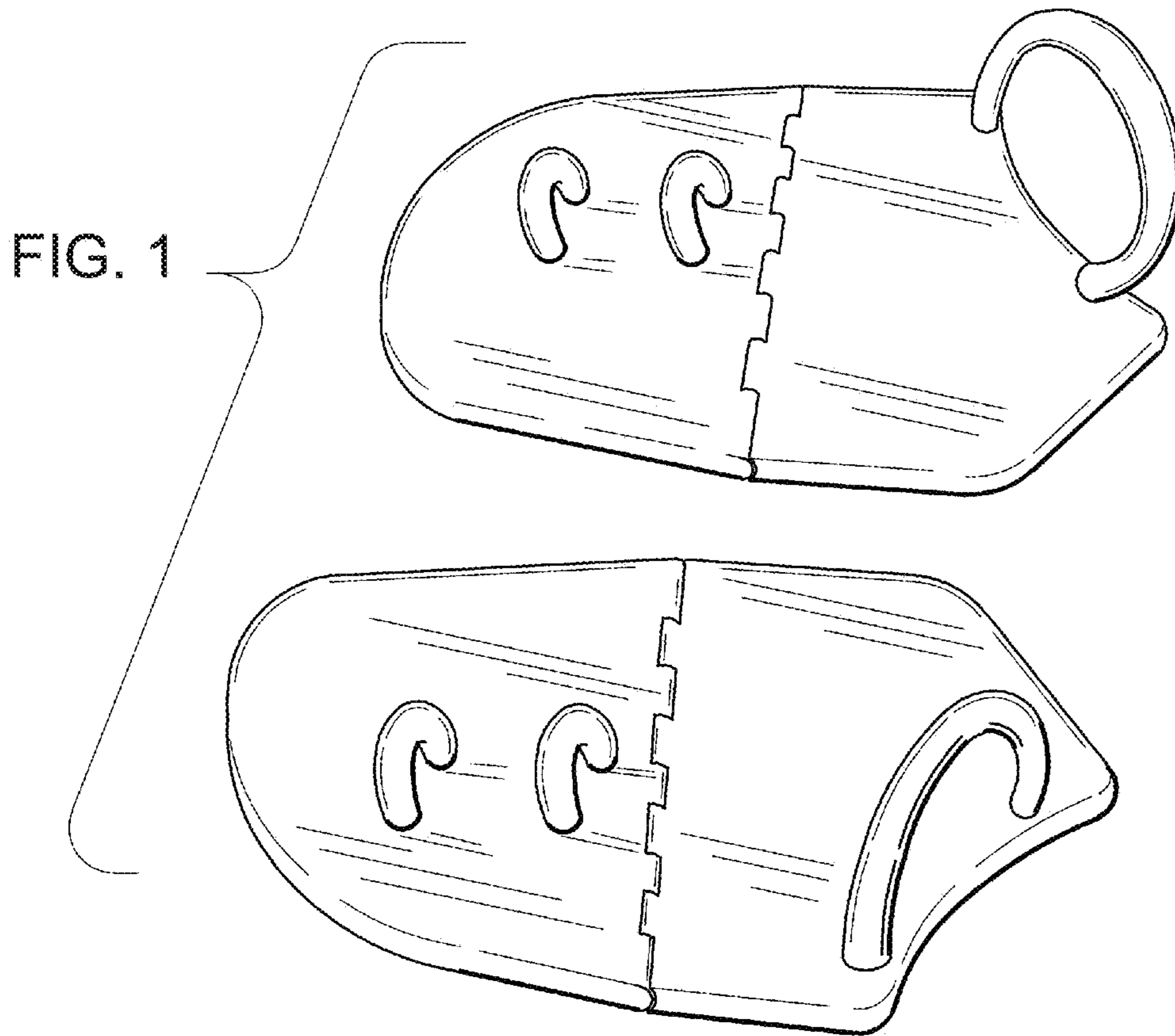


FIG. 2

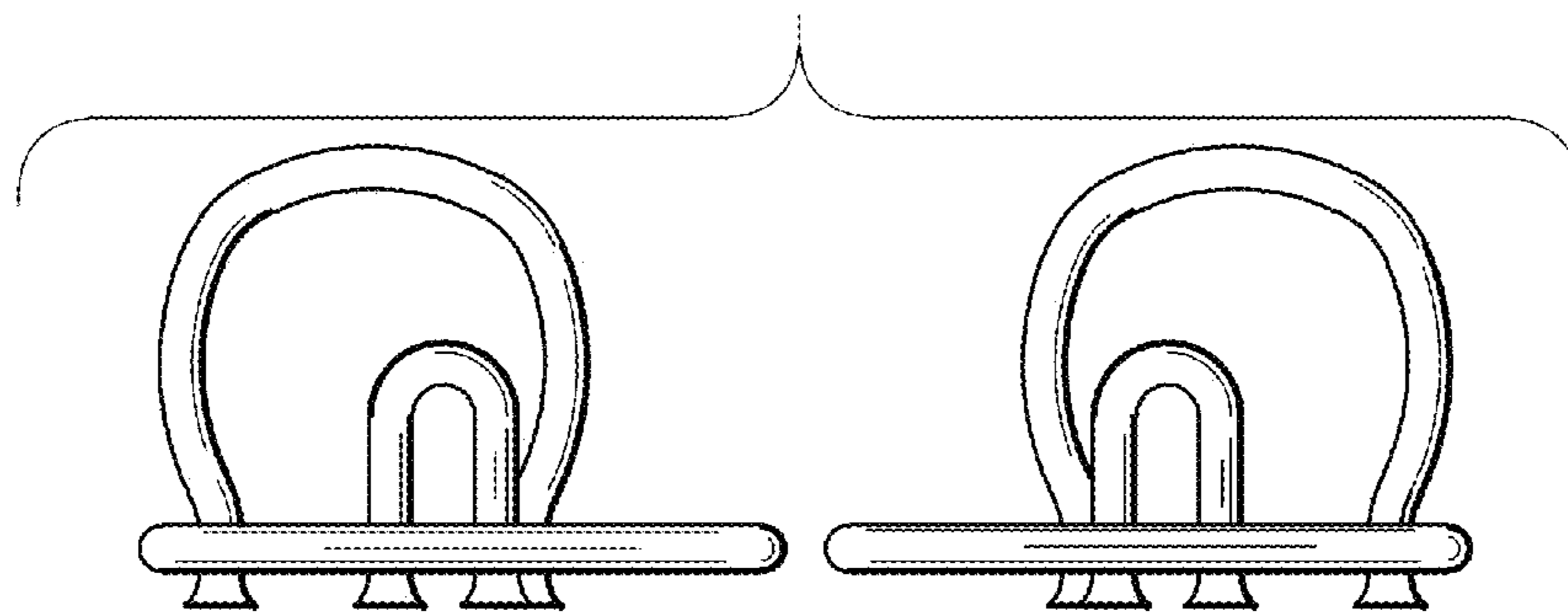


FIG. 3

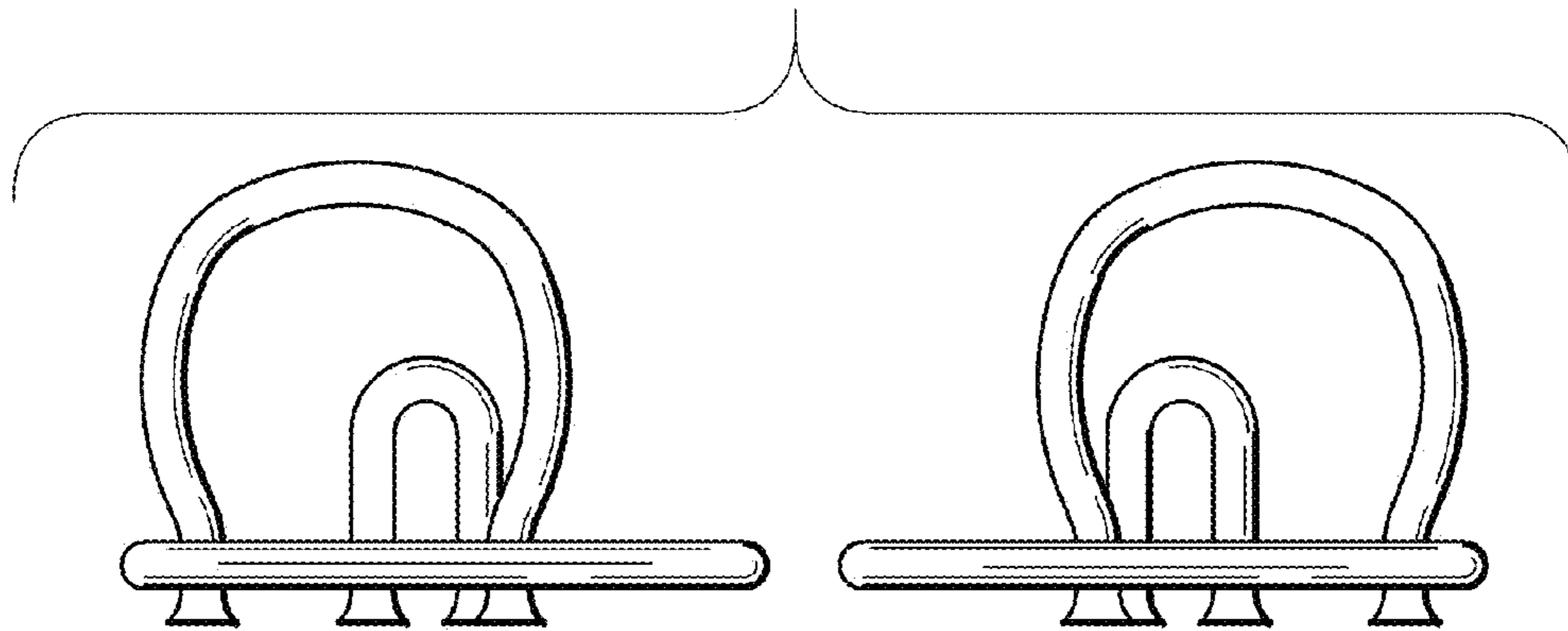


FIG. 4

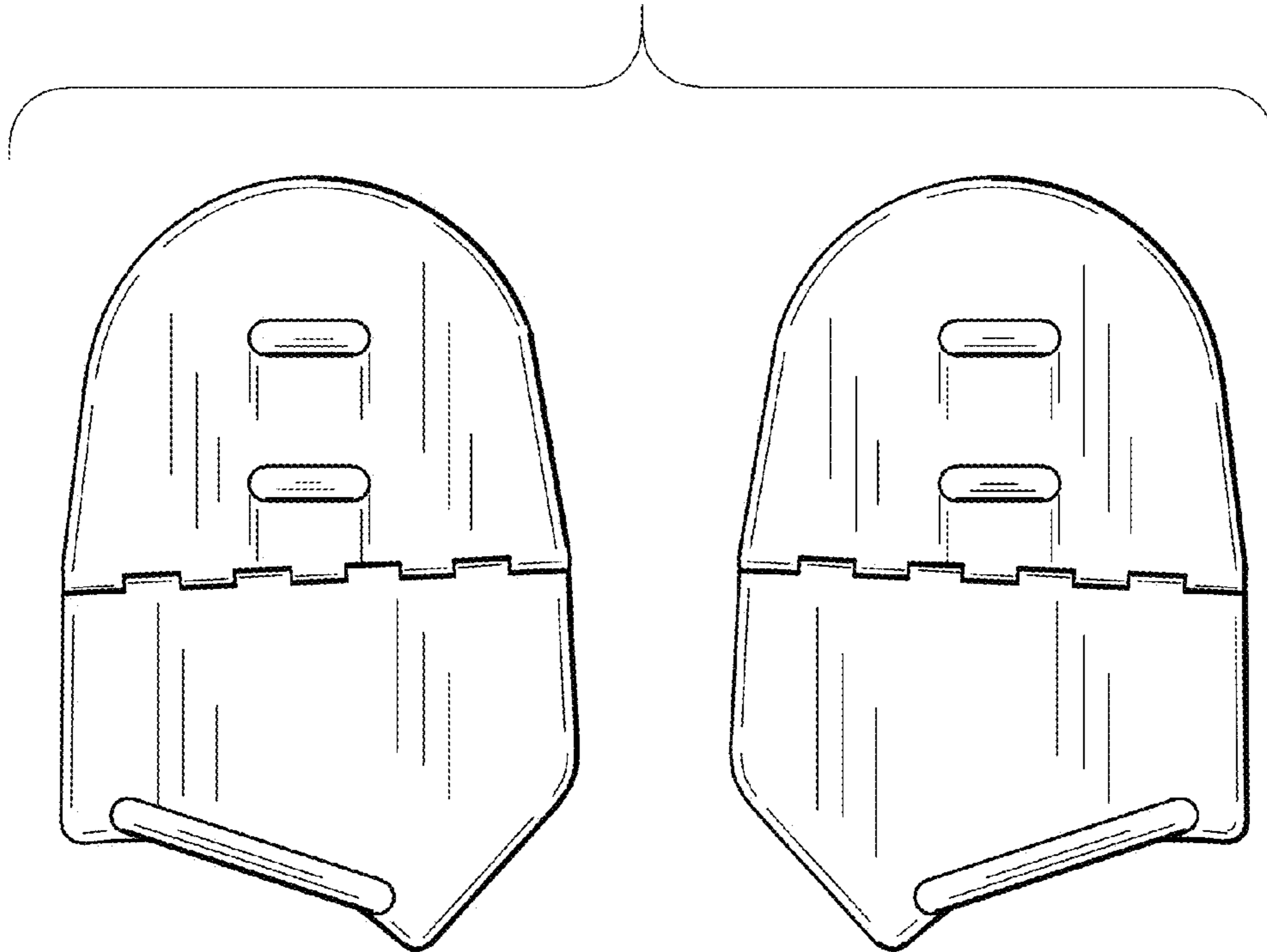


FIG. 5

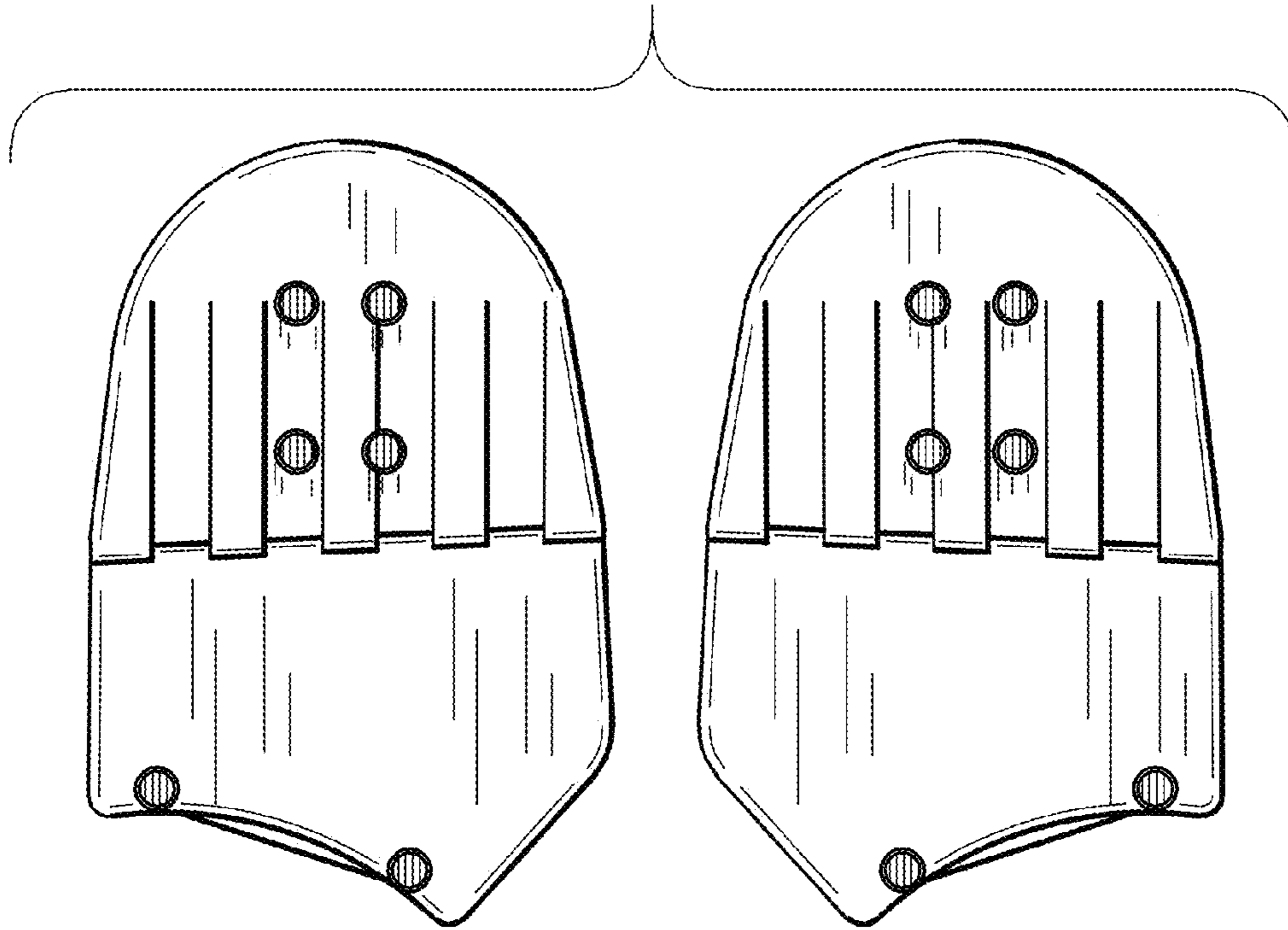


FIG. 6

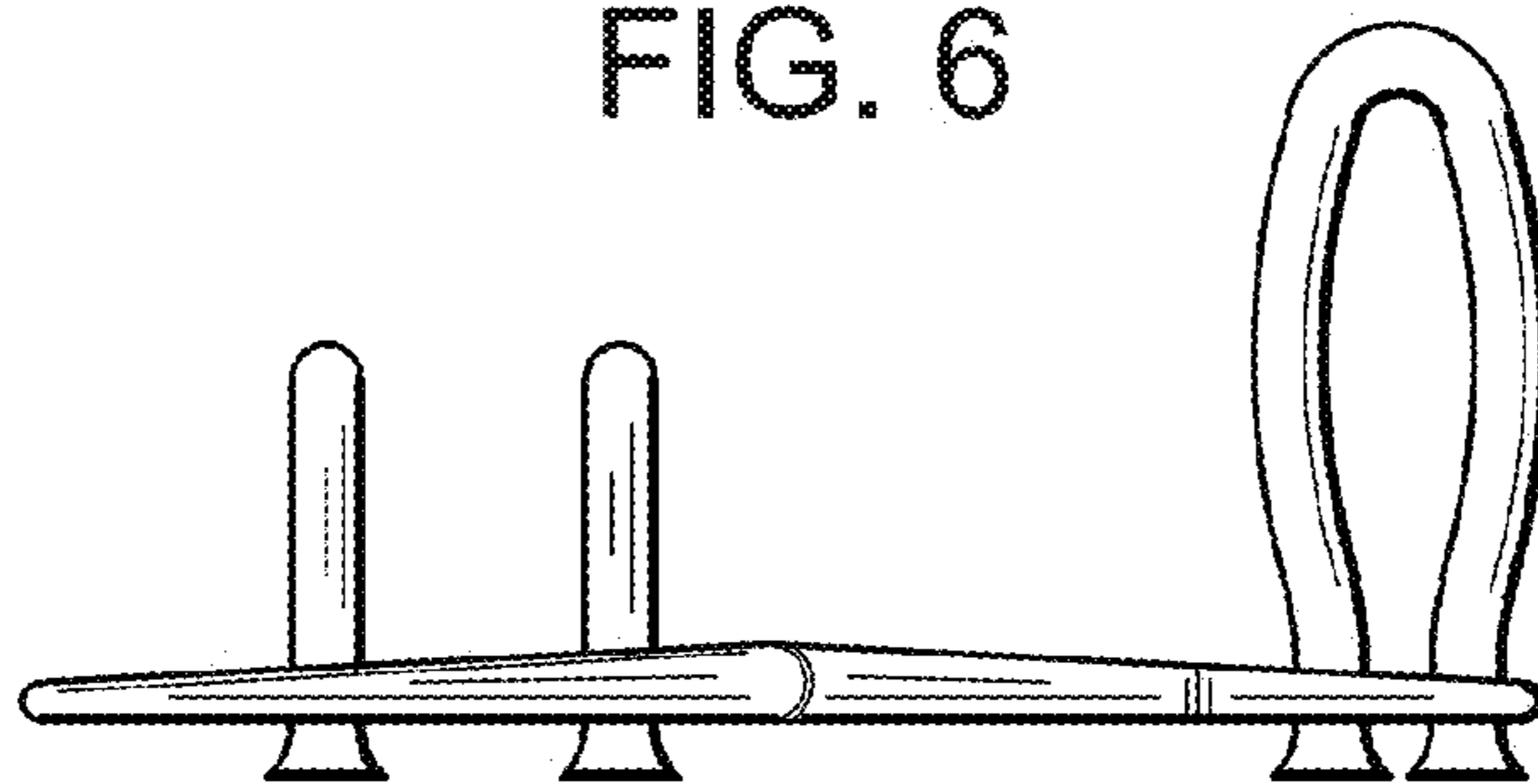


FIG. 7

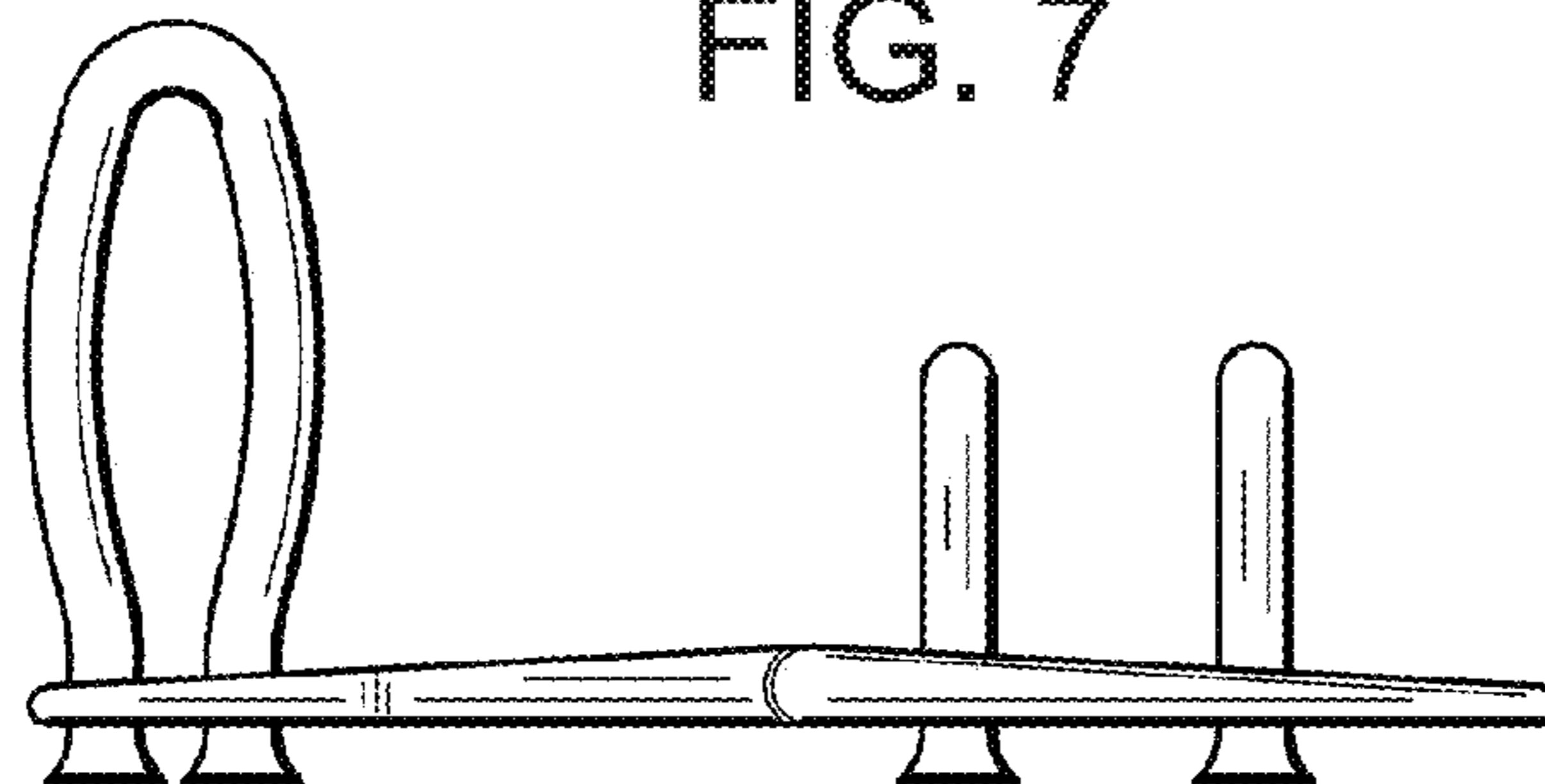


FIG. 8

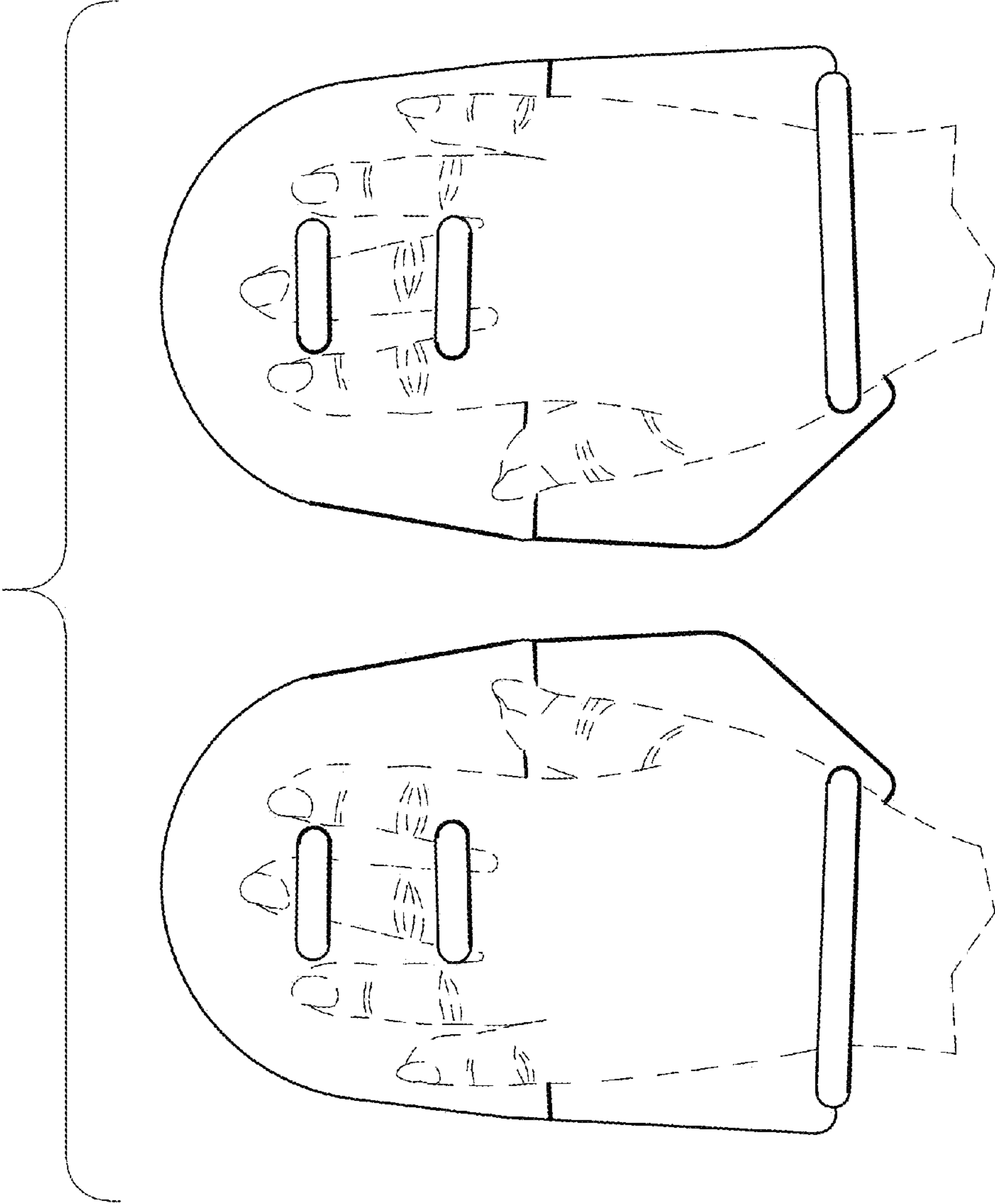


FIG. 9

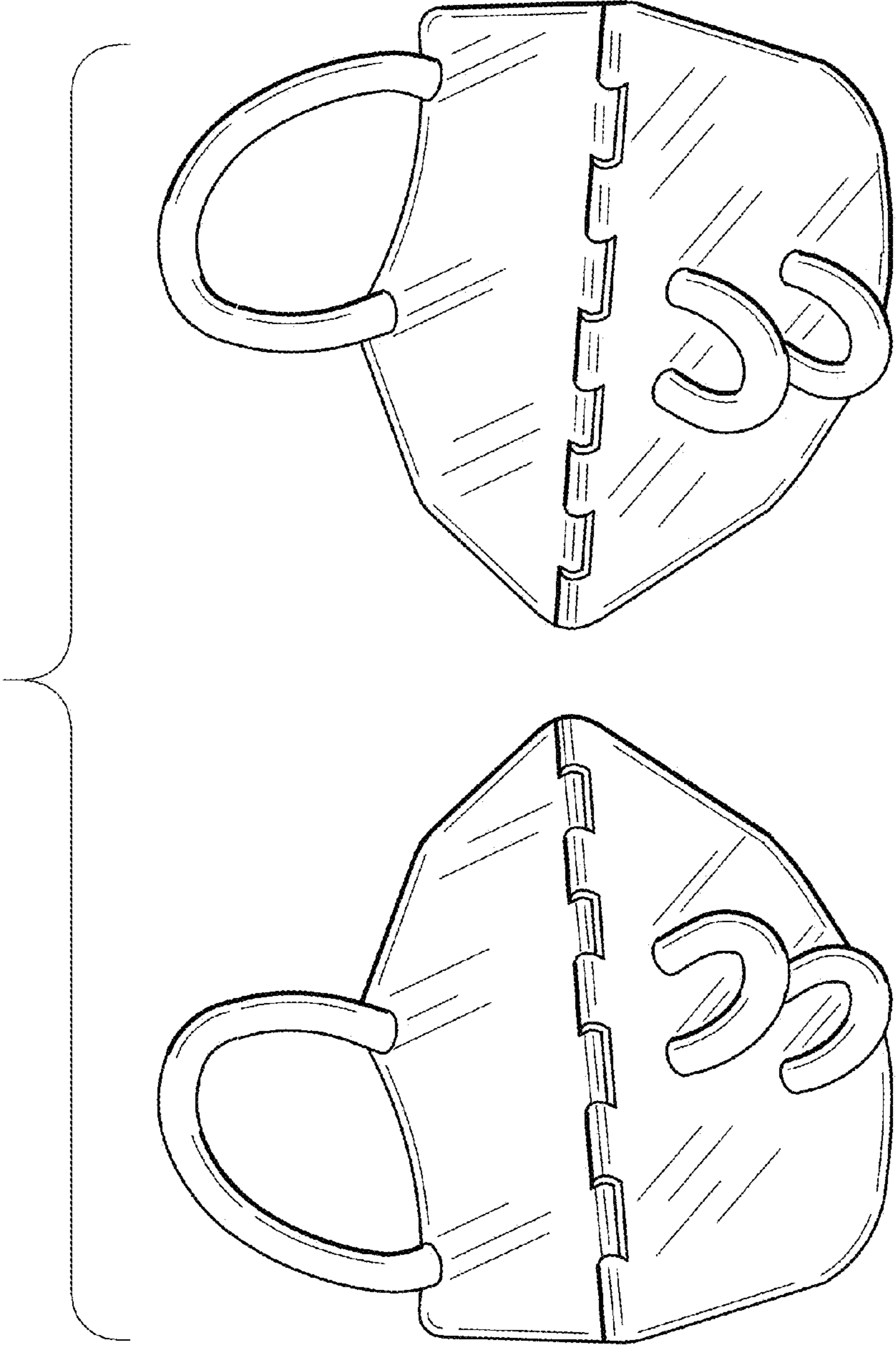


FIG. 10

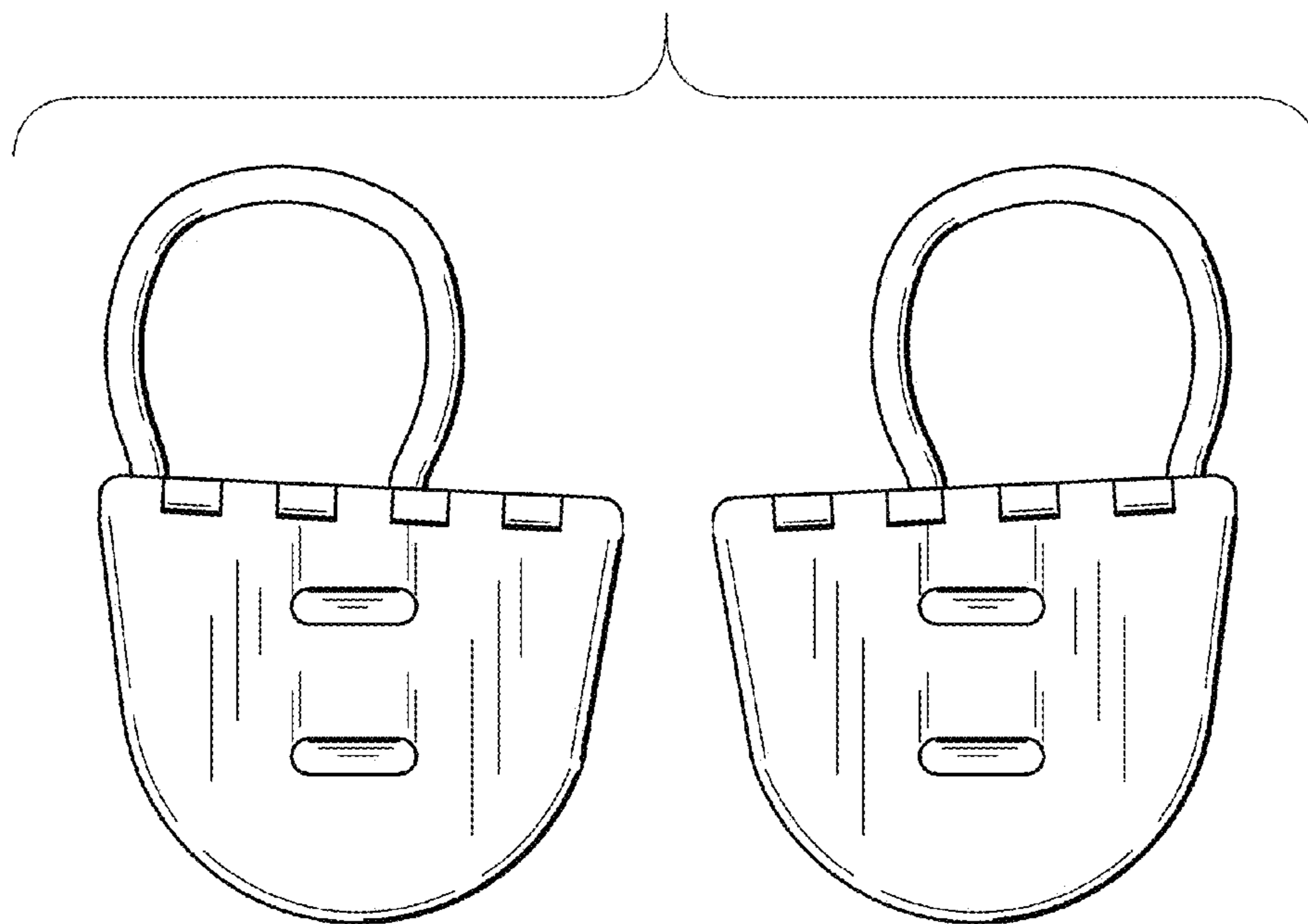


FIG. 11

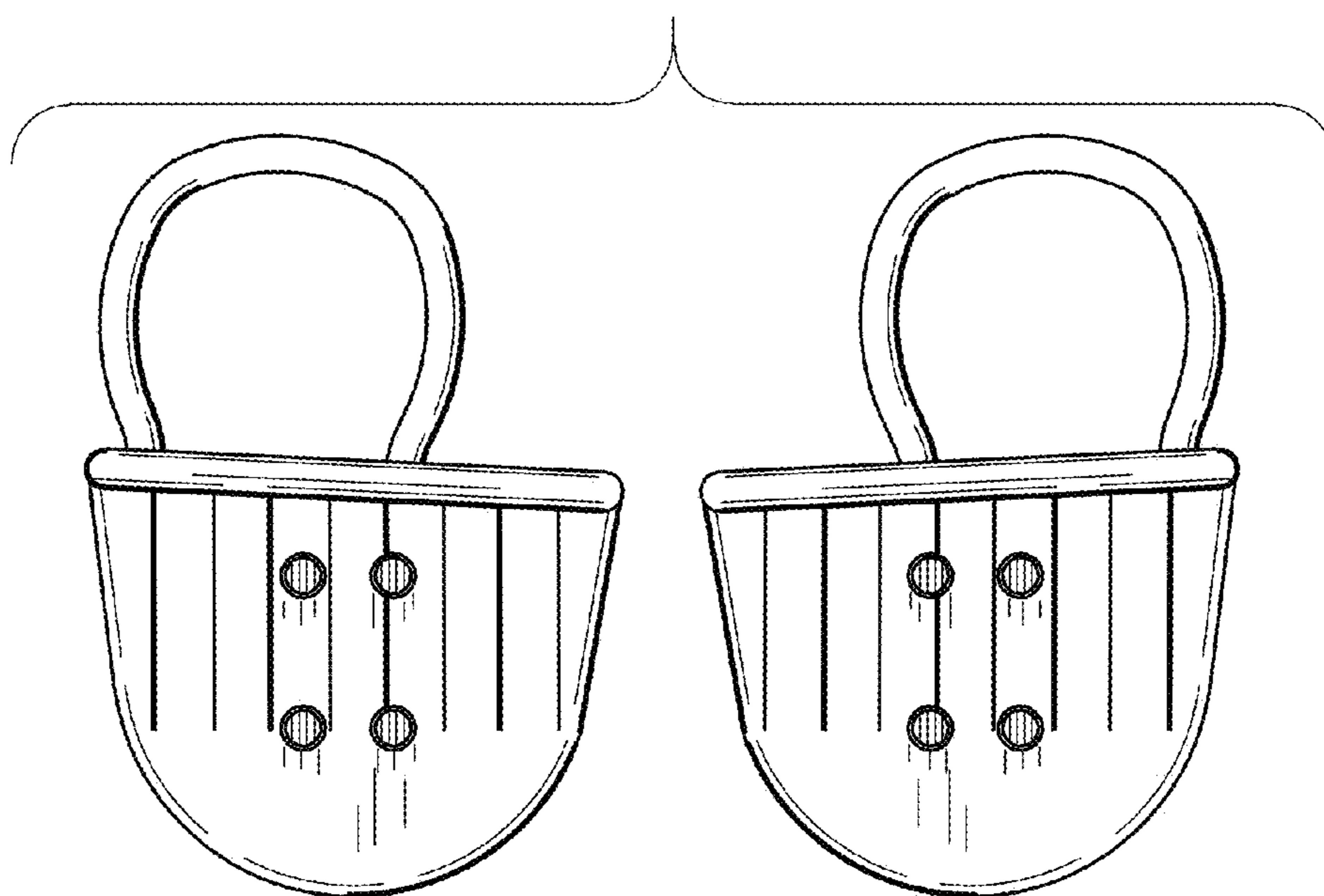


FIG. 12

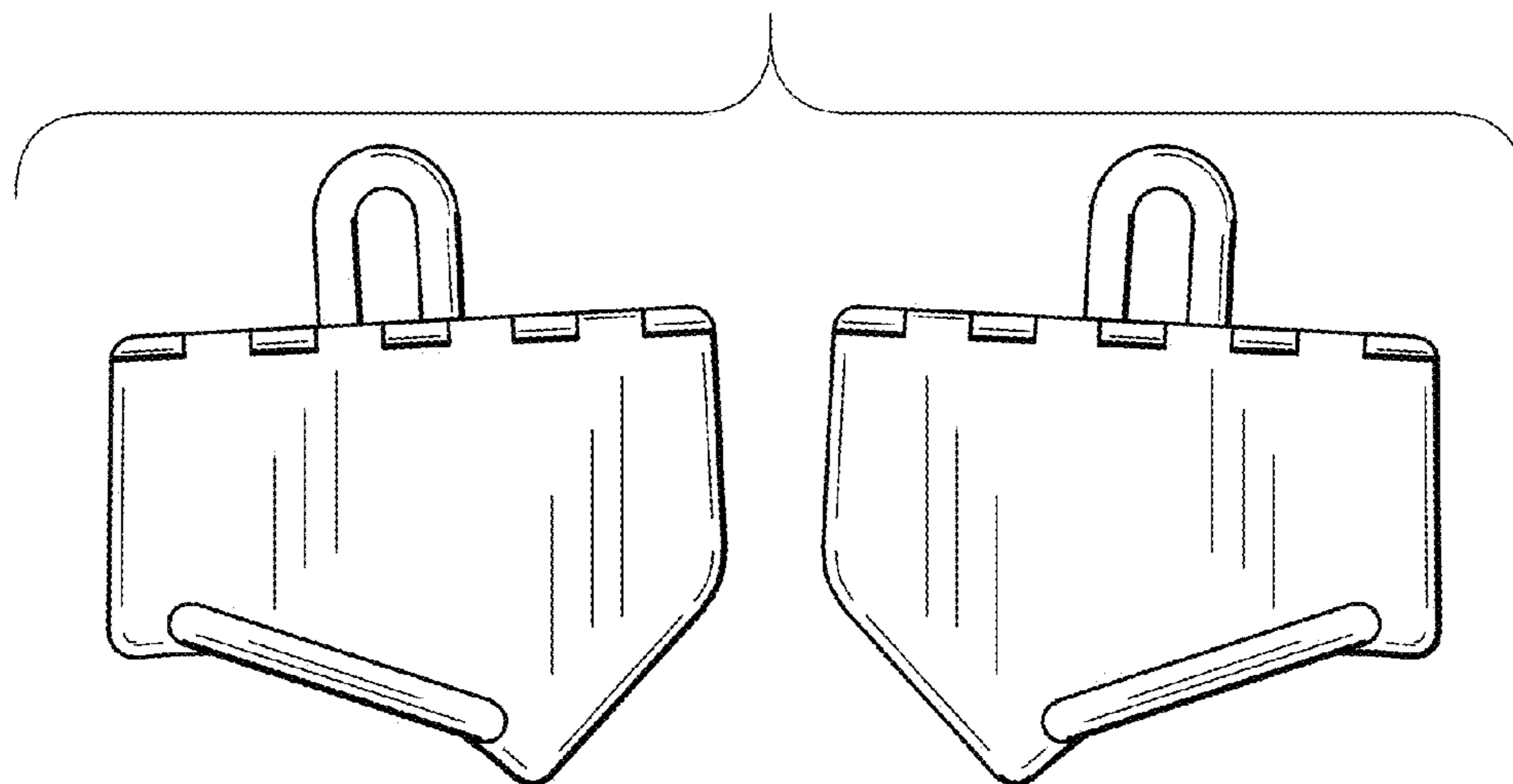


FIG. 13

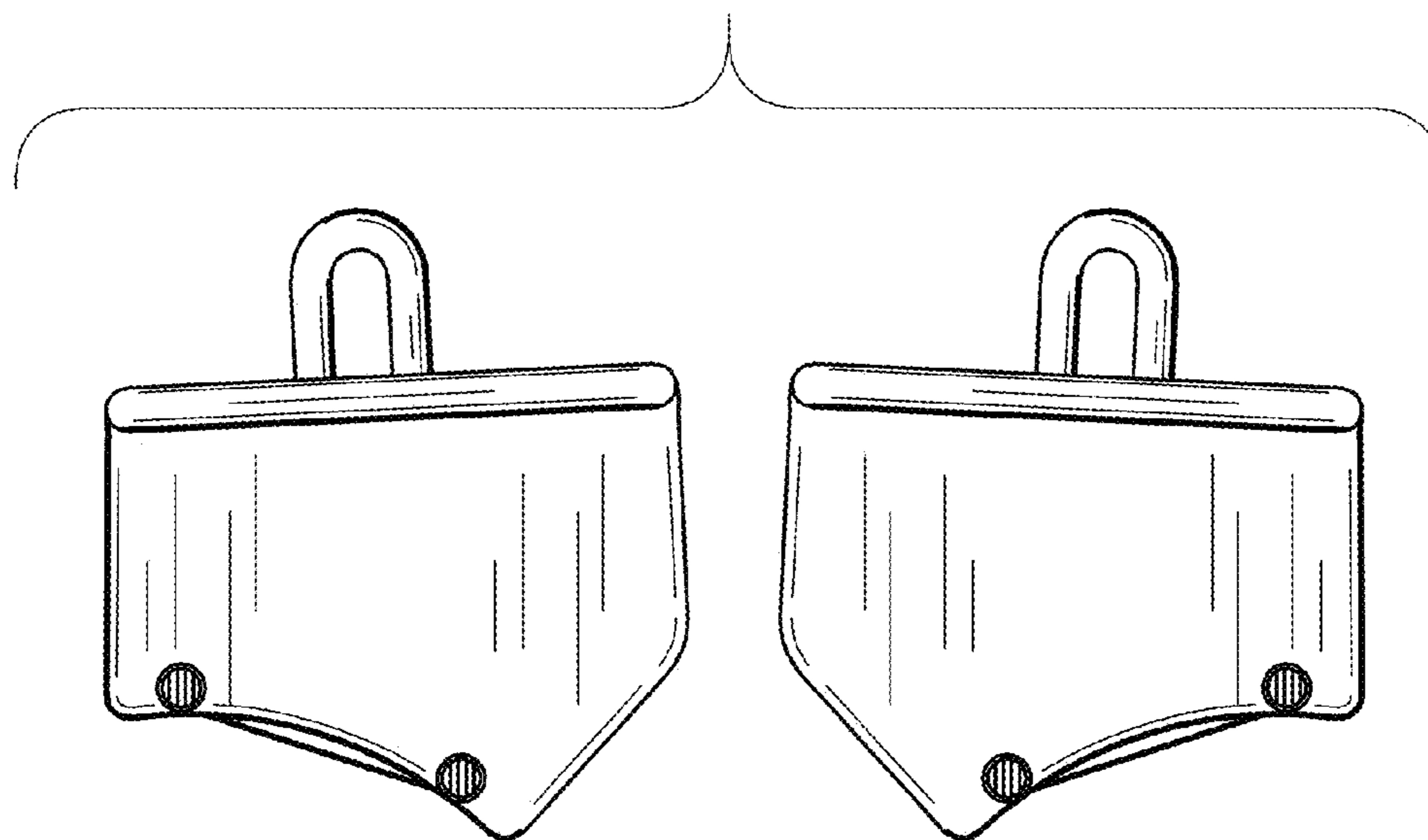


FIG. 14

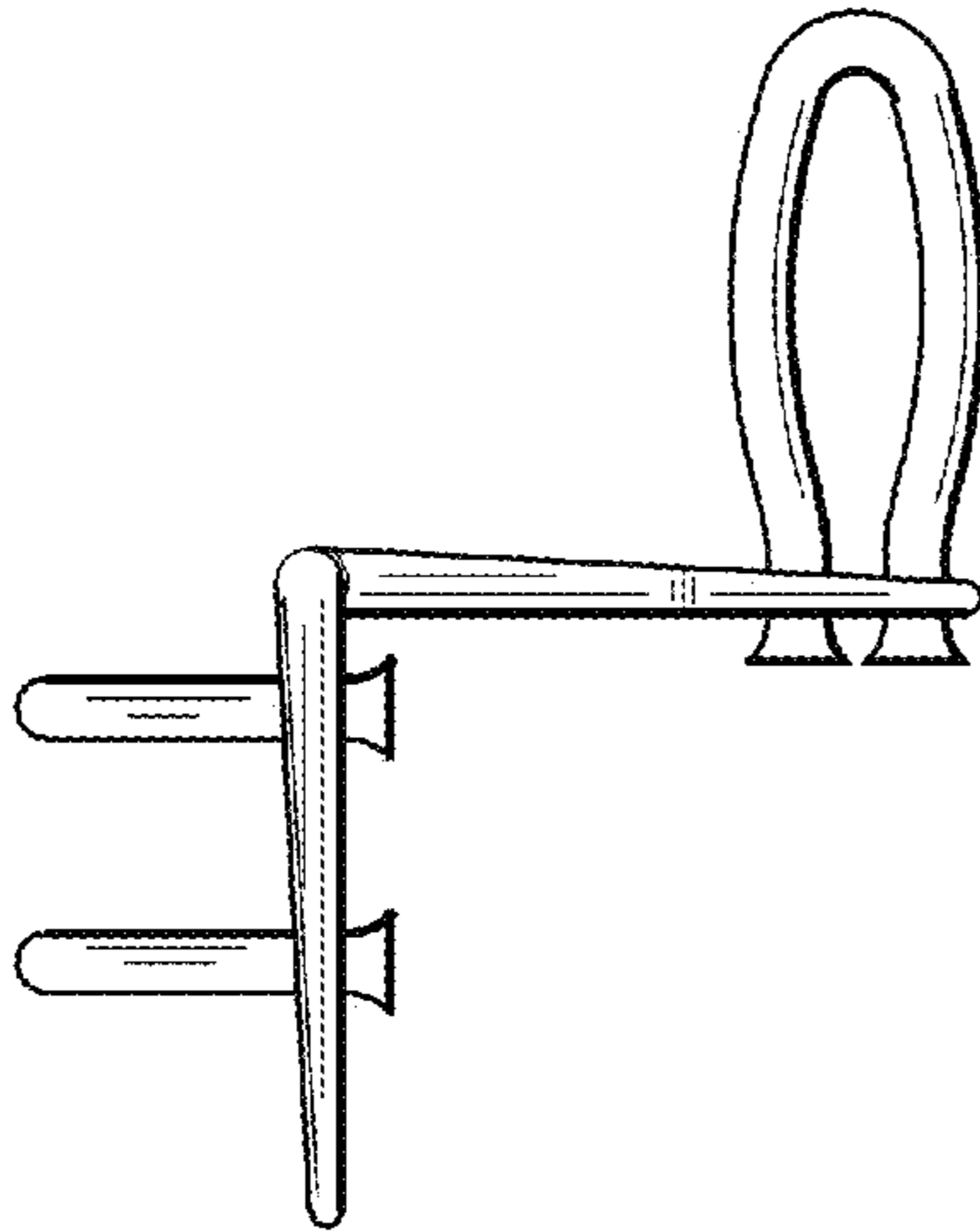


FIG. 15

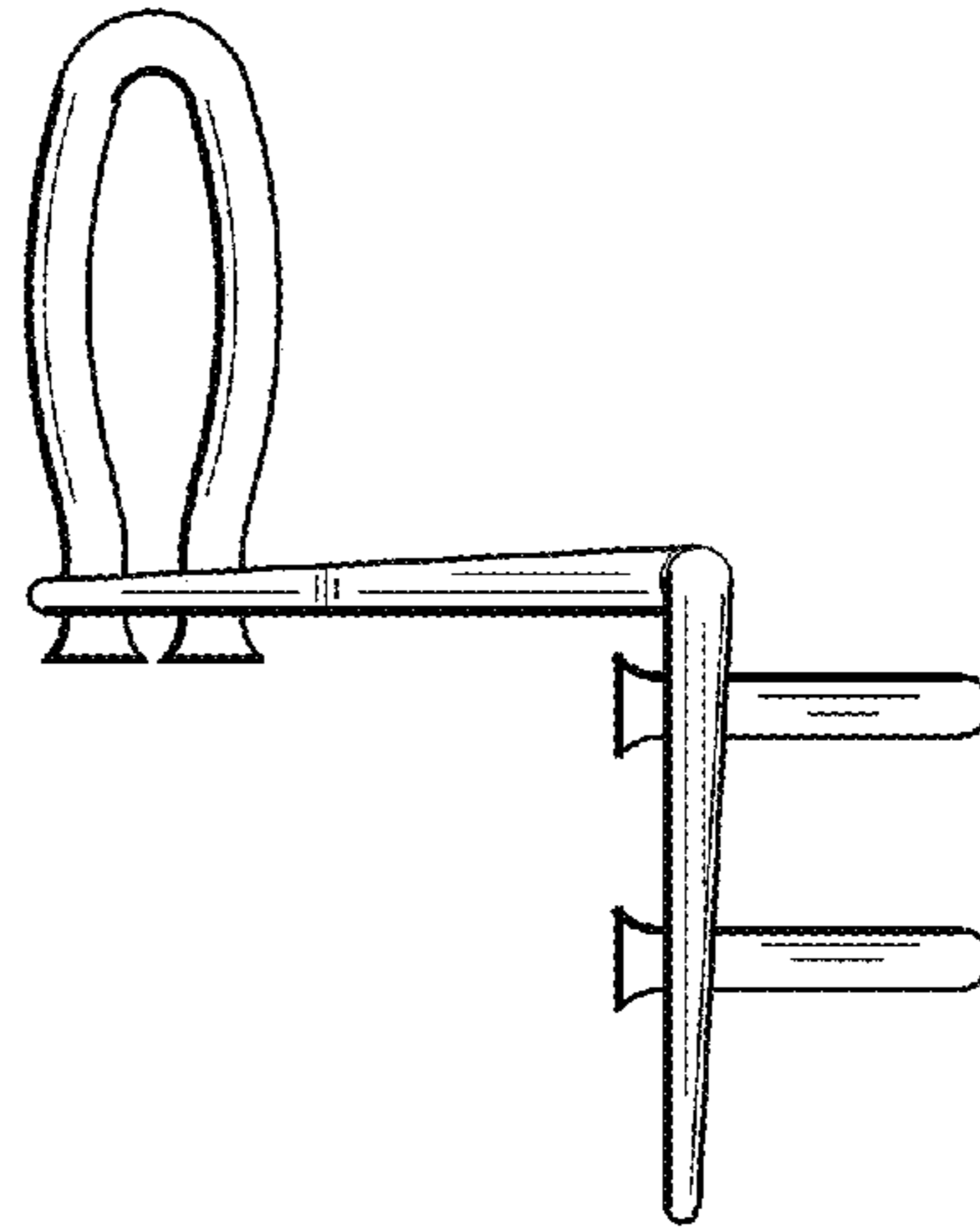
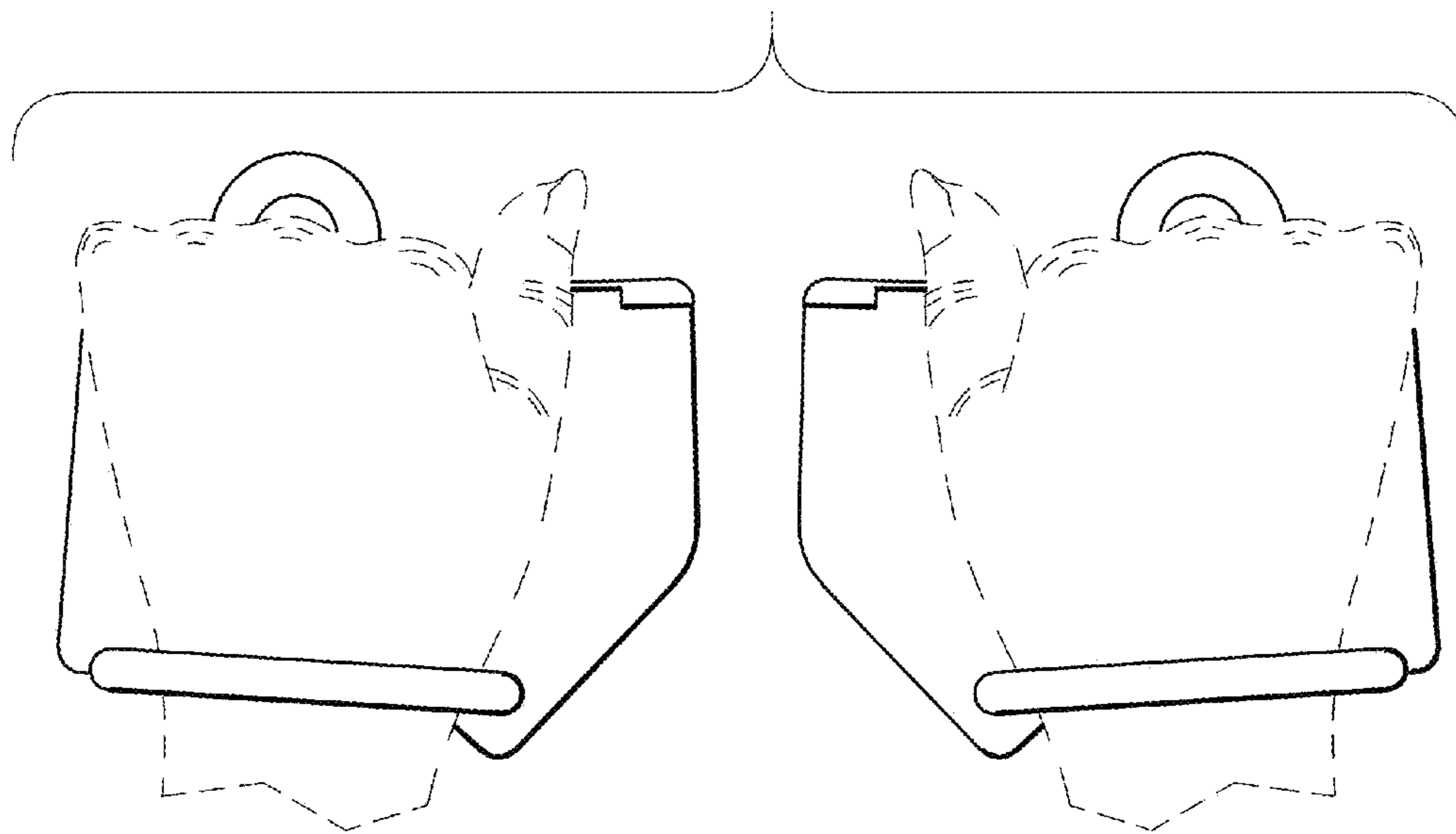


FIG. 16



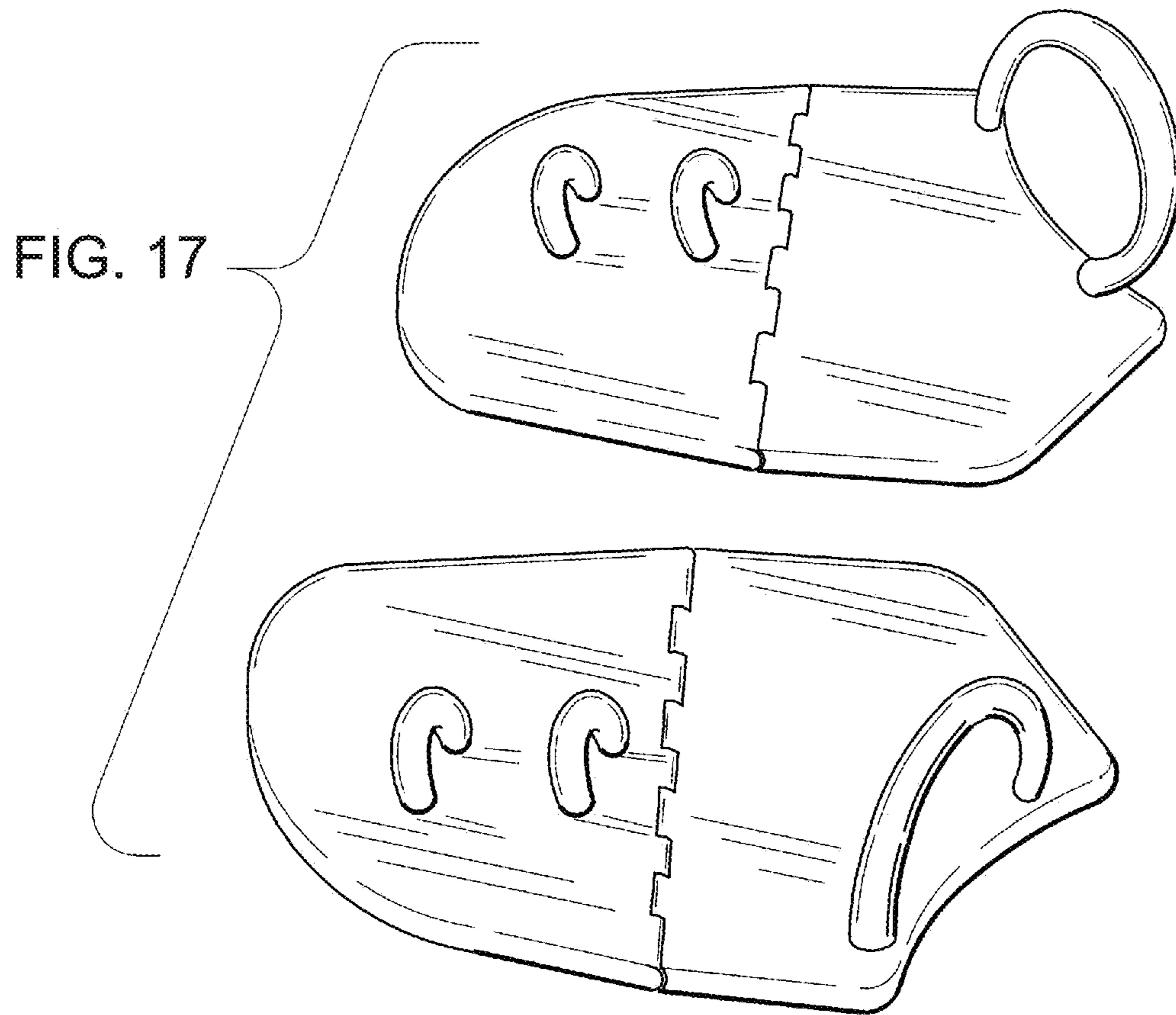


FIG. 18

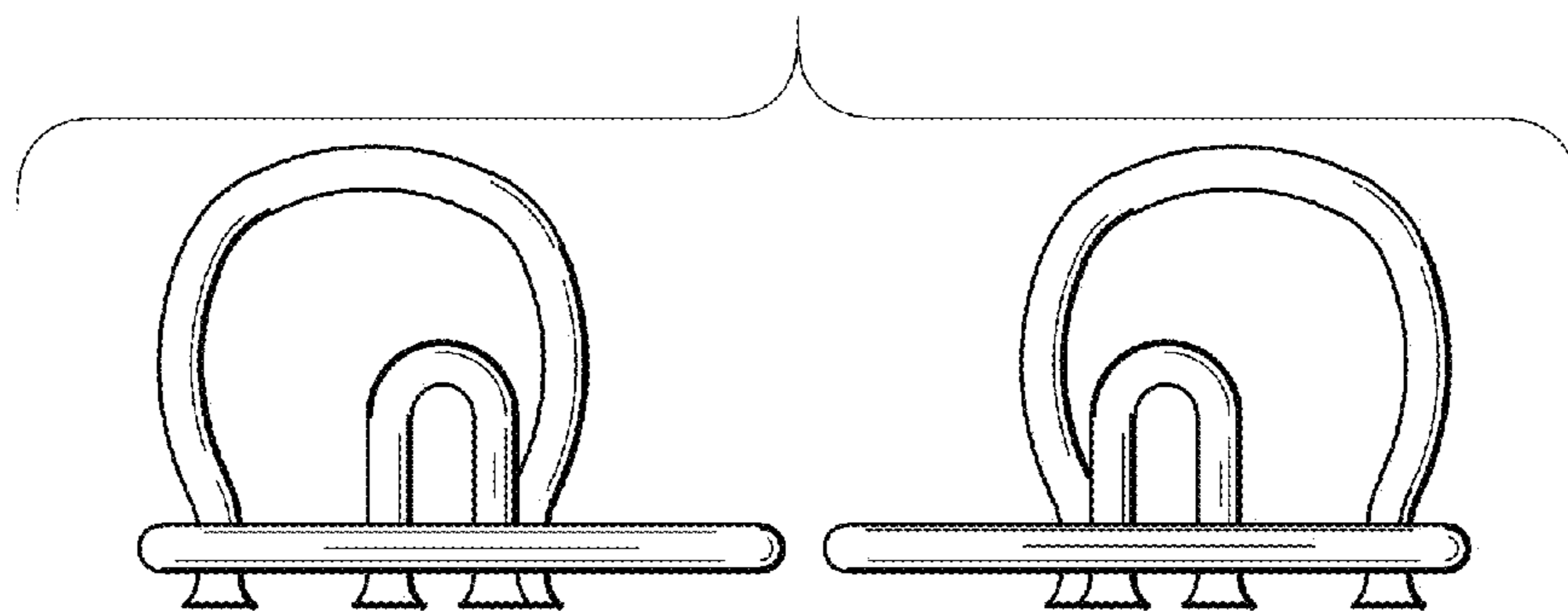


FIG. 19

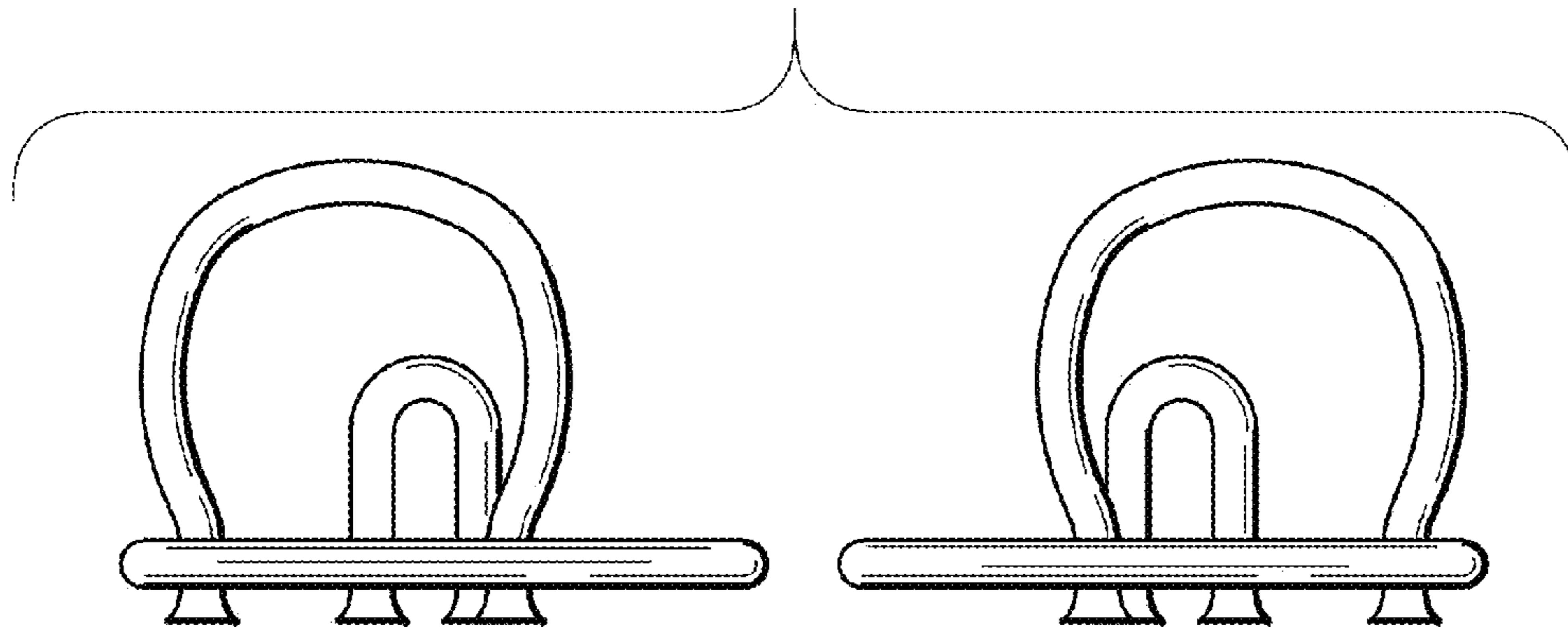


FIG. 20

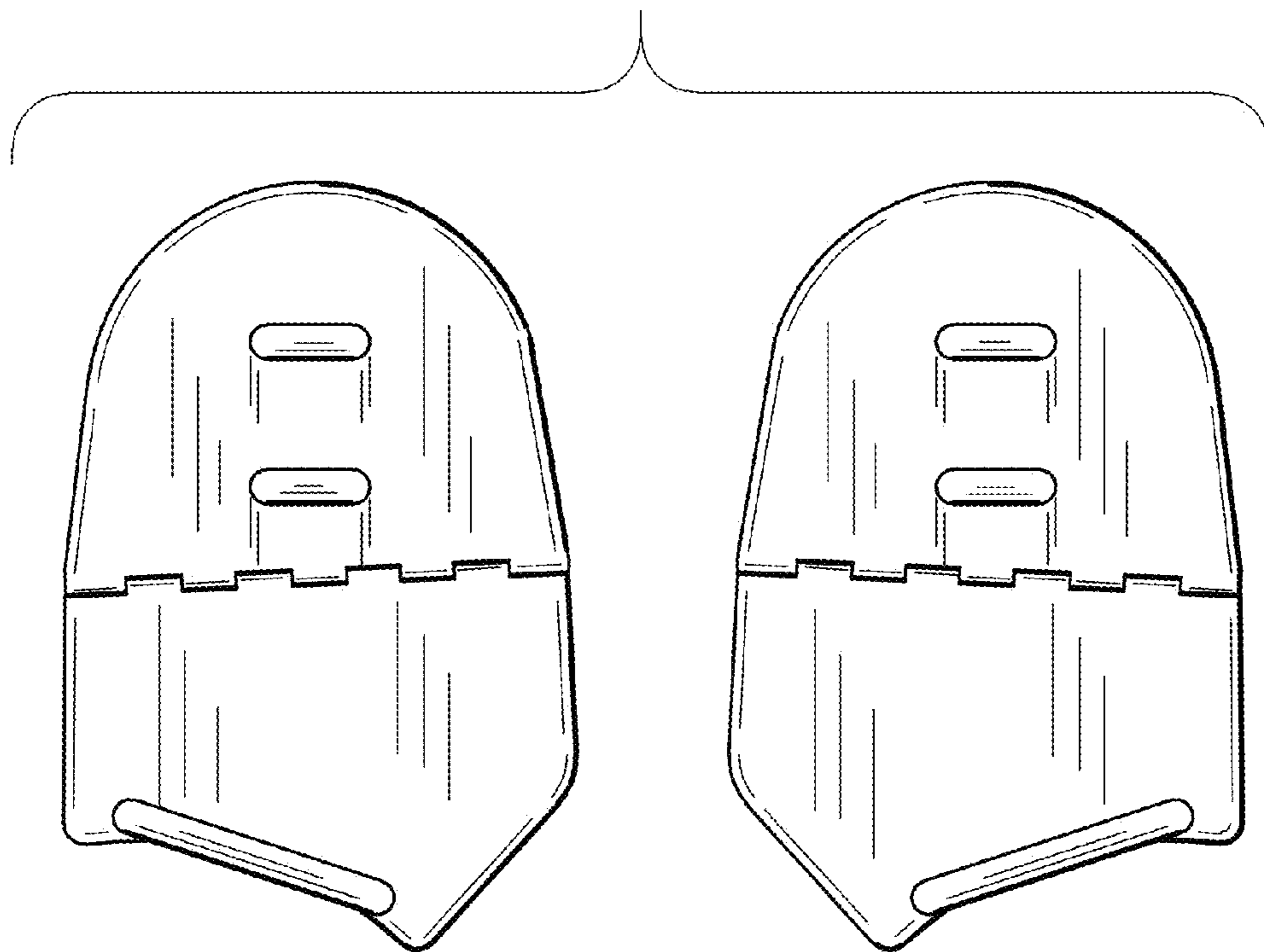


FIG. 21

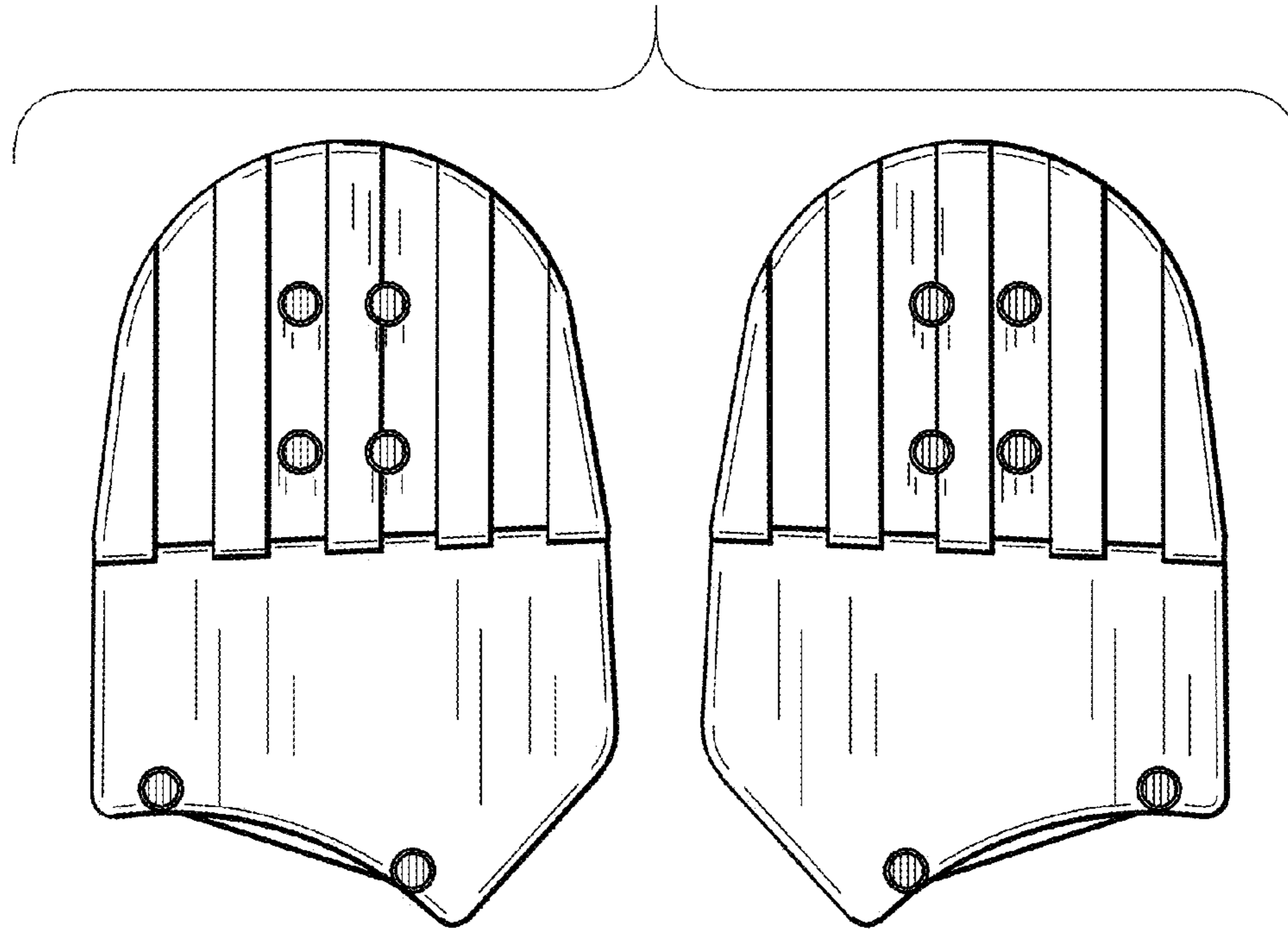


FIG. 22

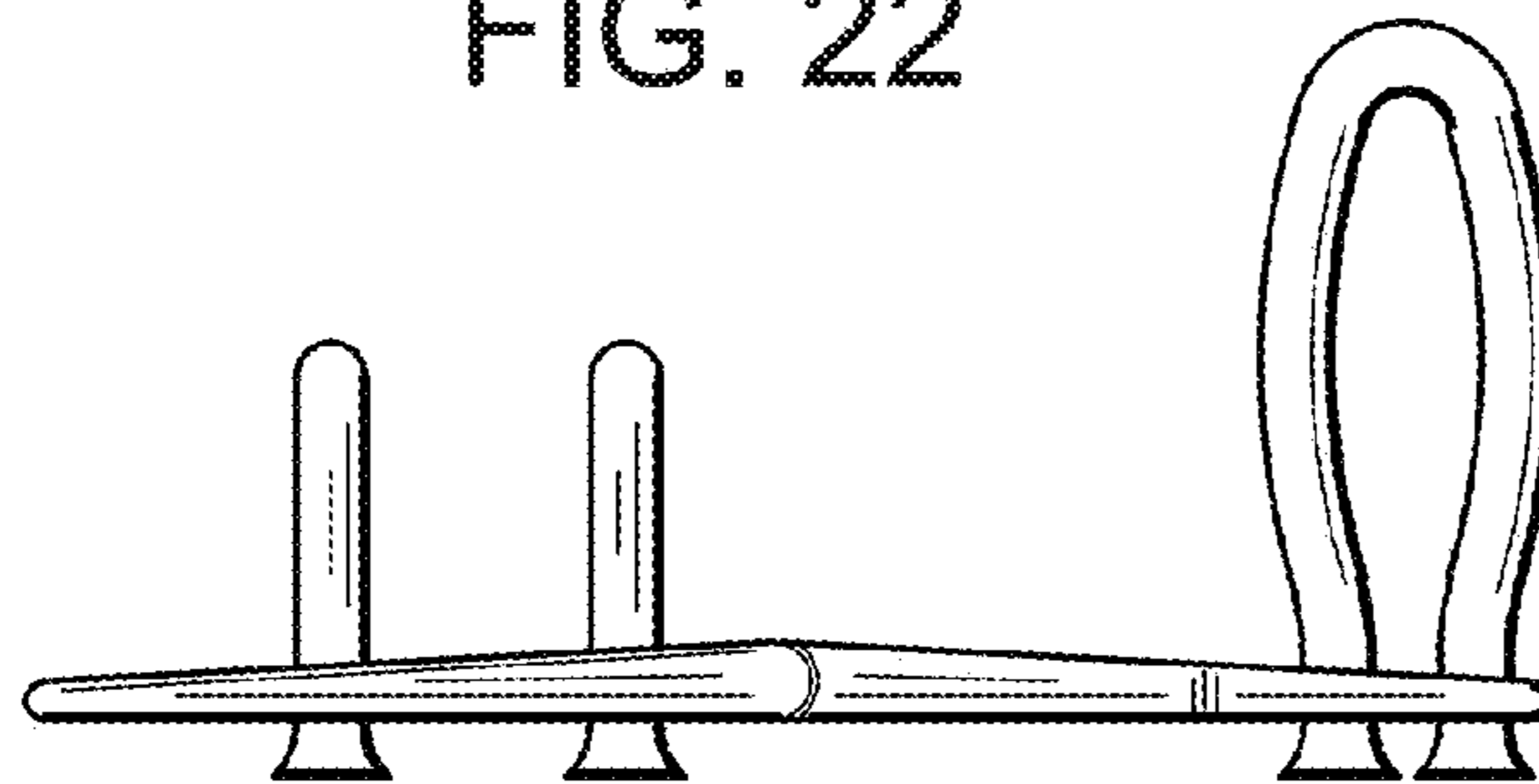


FIG. 23

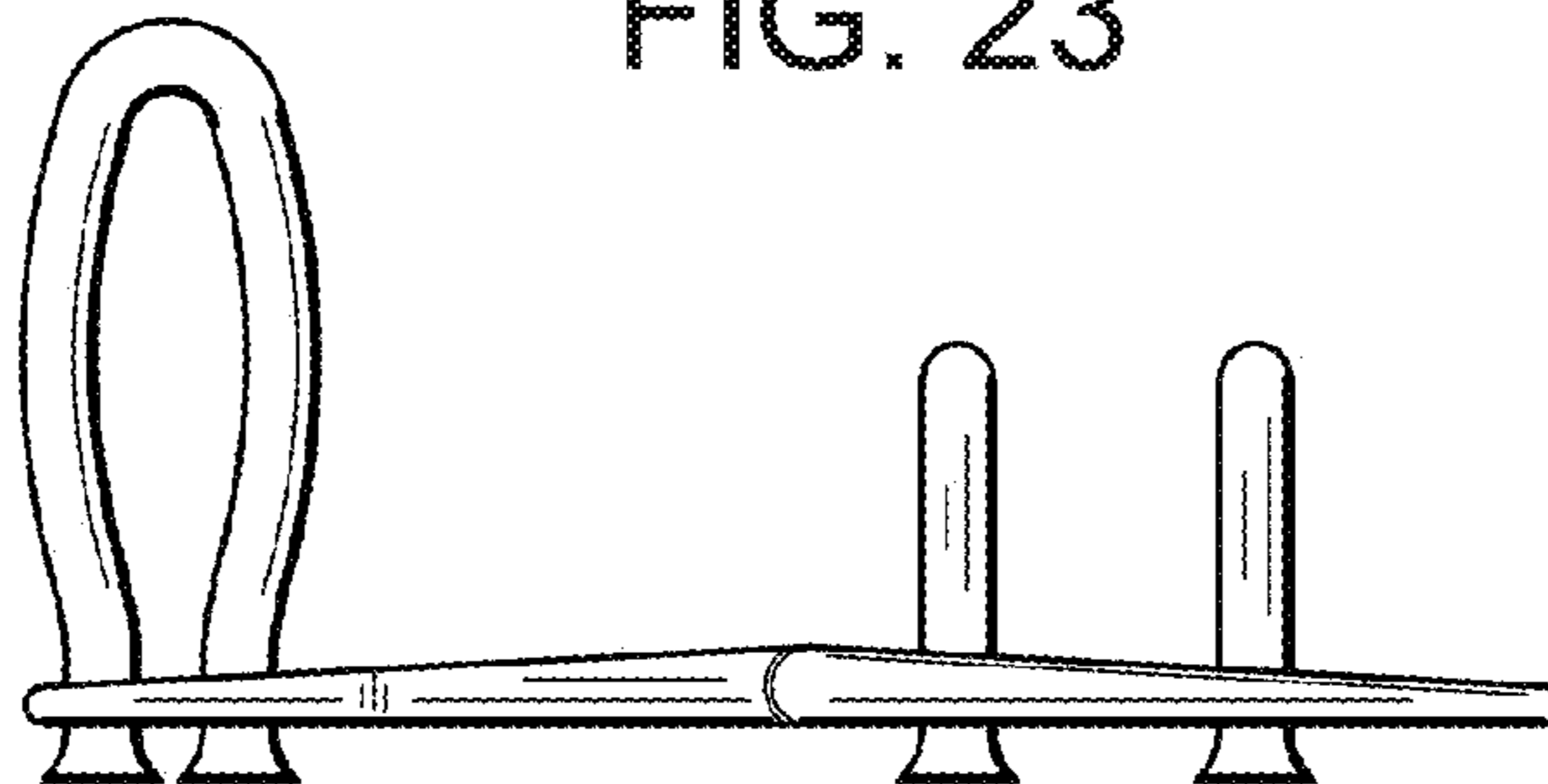


FIG. 24

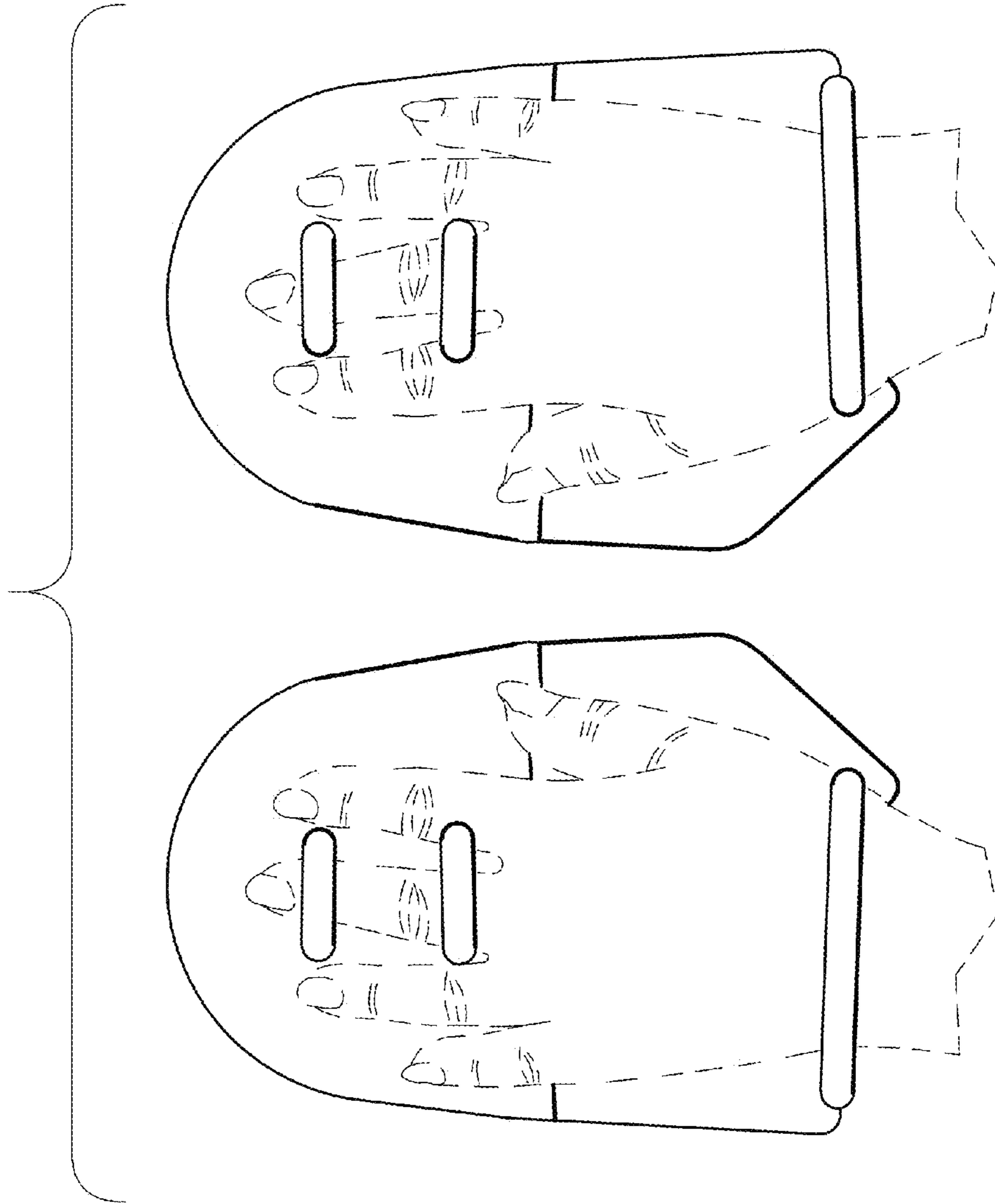


FIG. 25

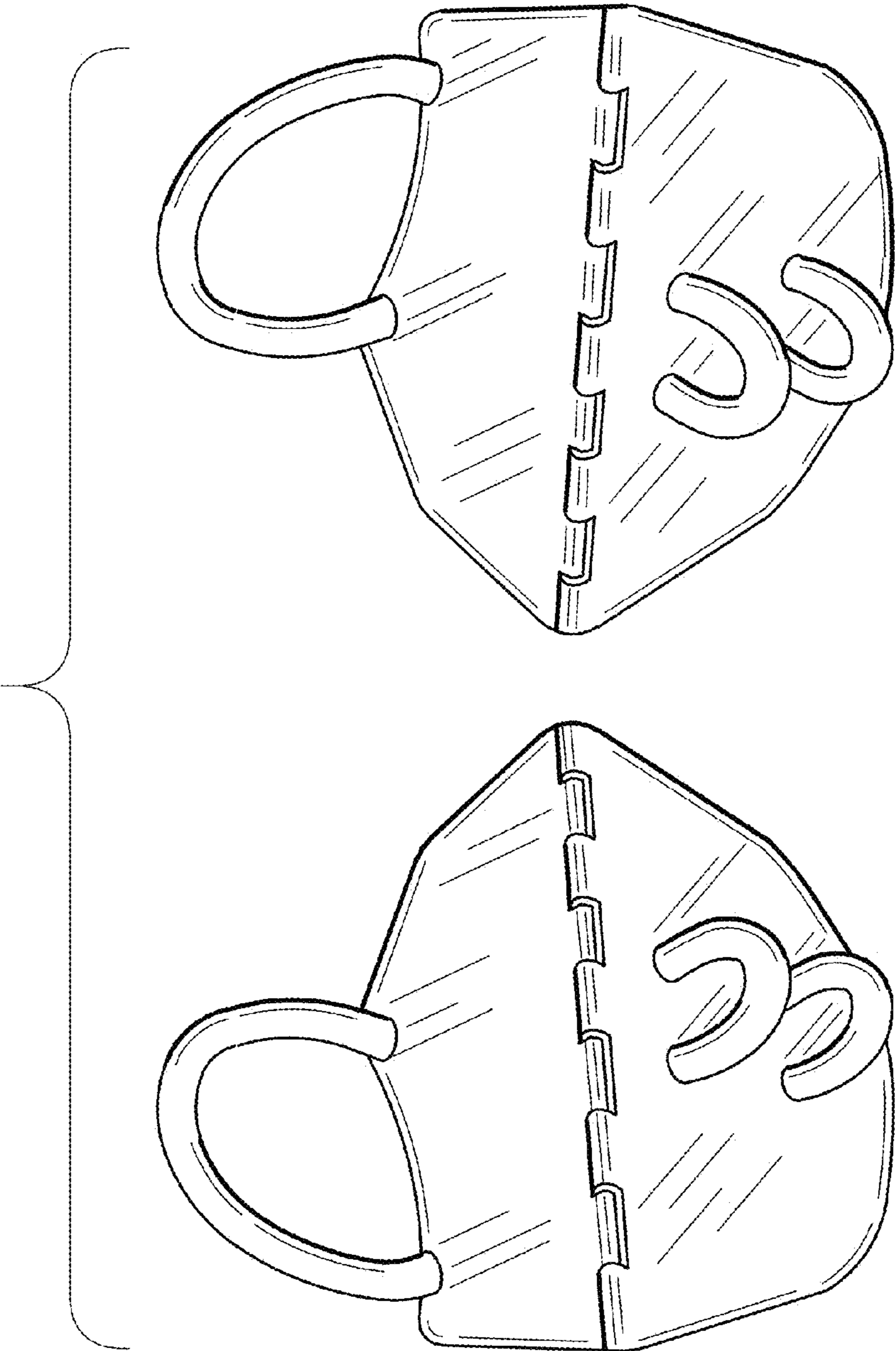


FIG. 26

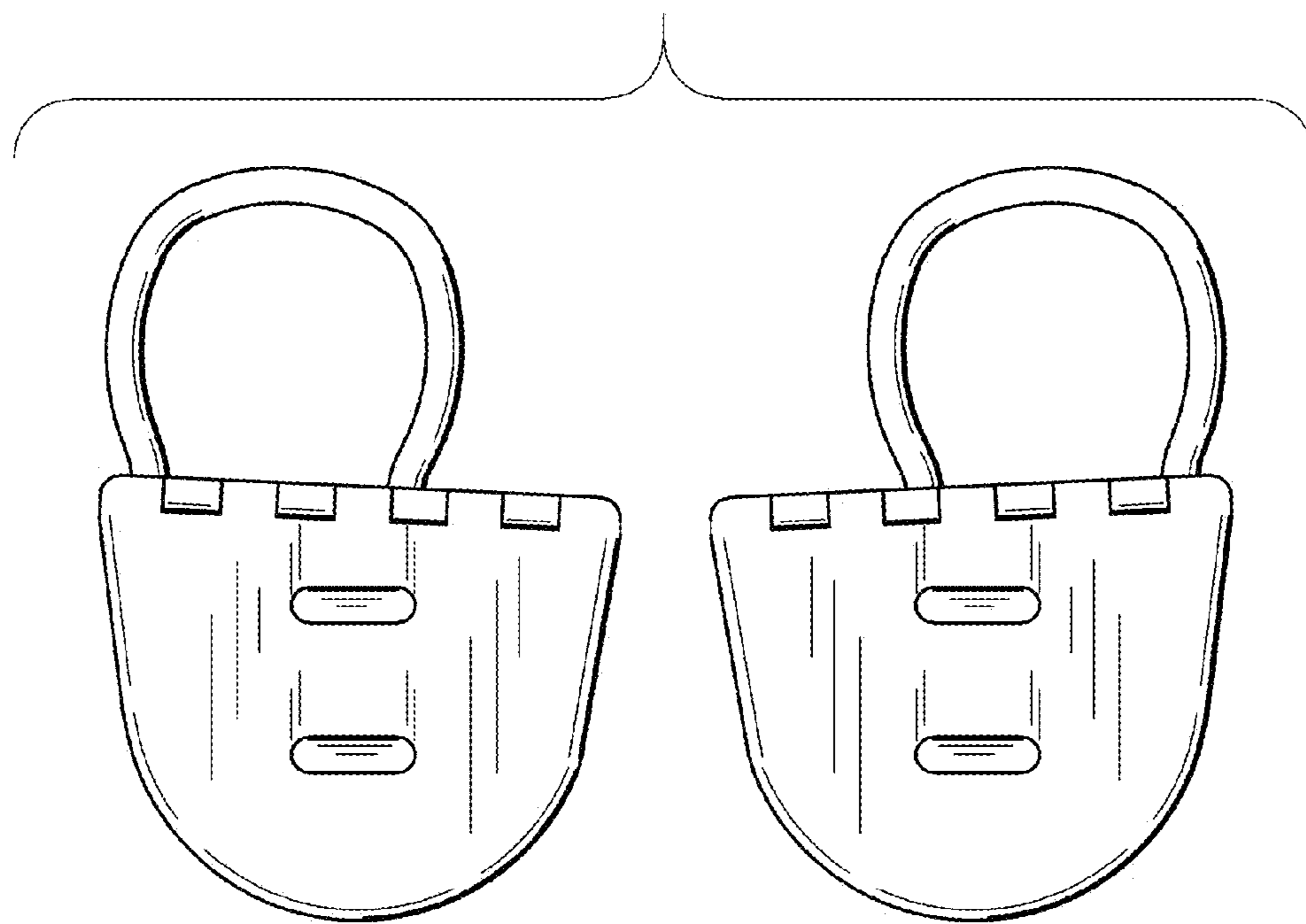


FIG. 27

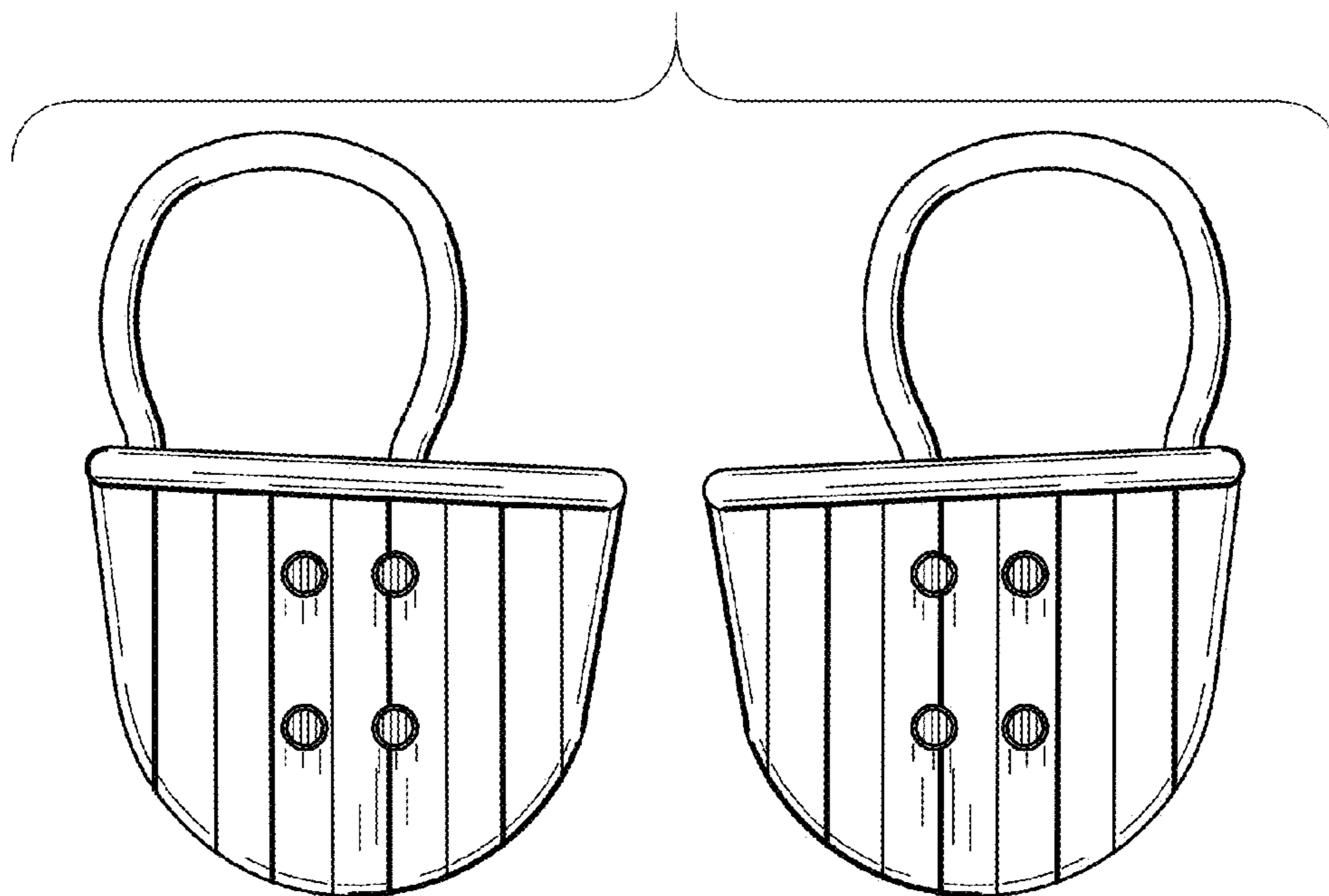


FIG. 28

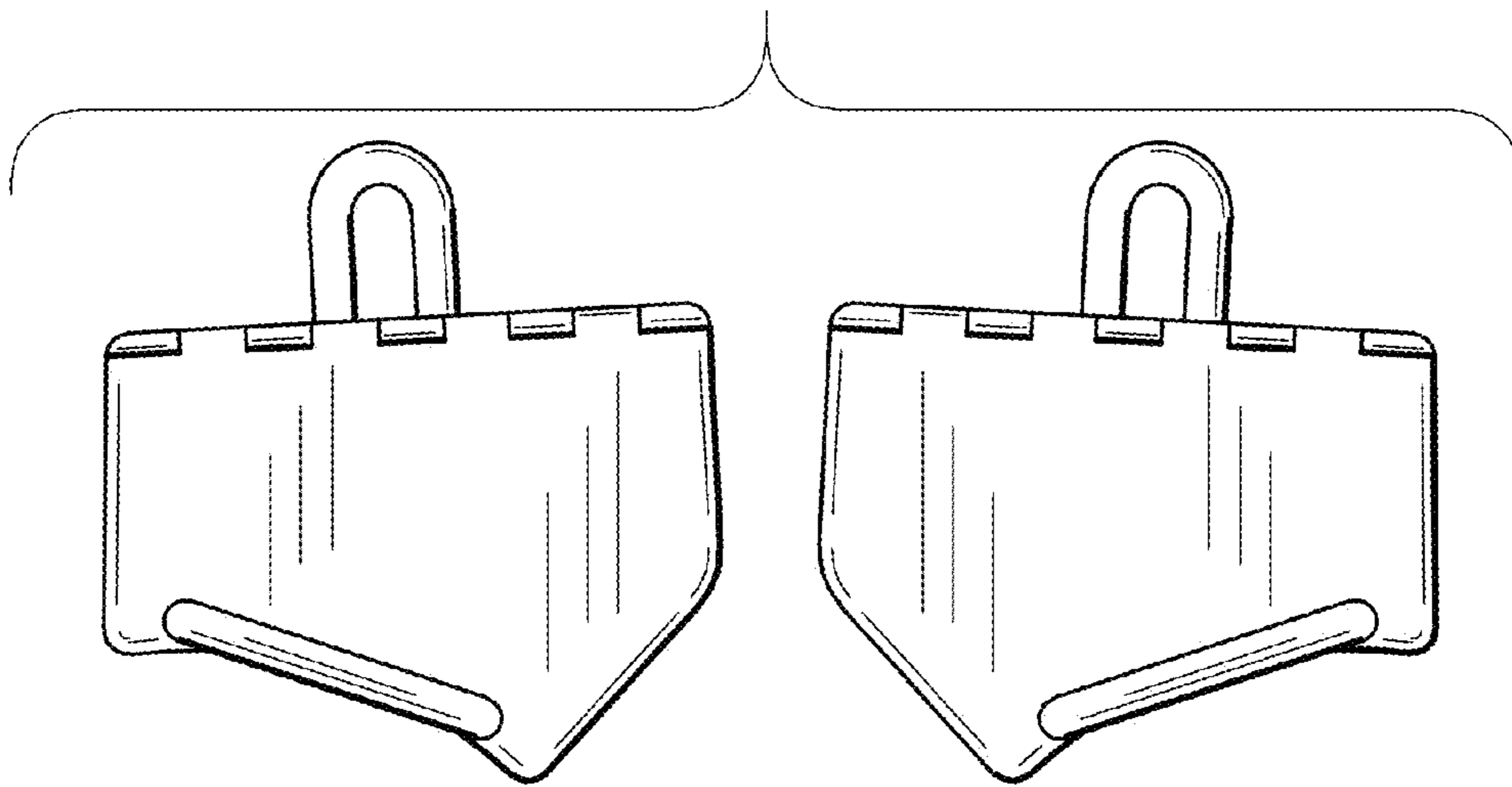


FIG. 29

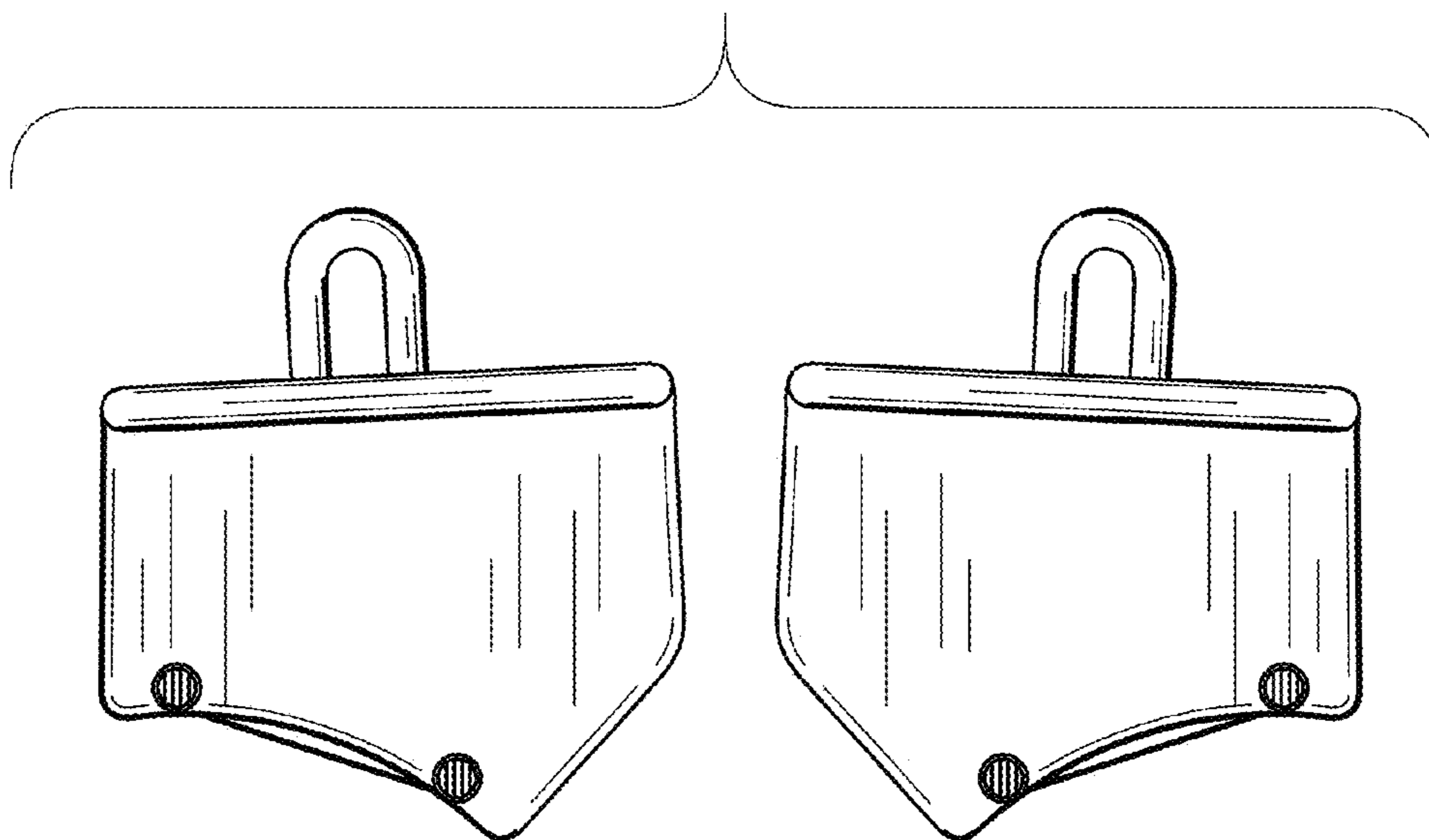


FIG. 30

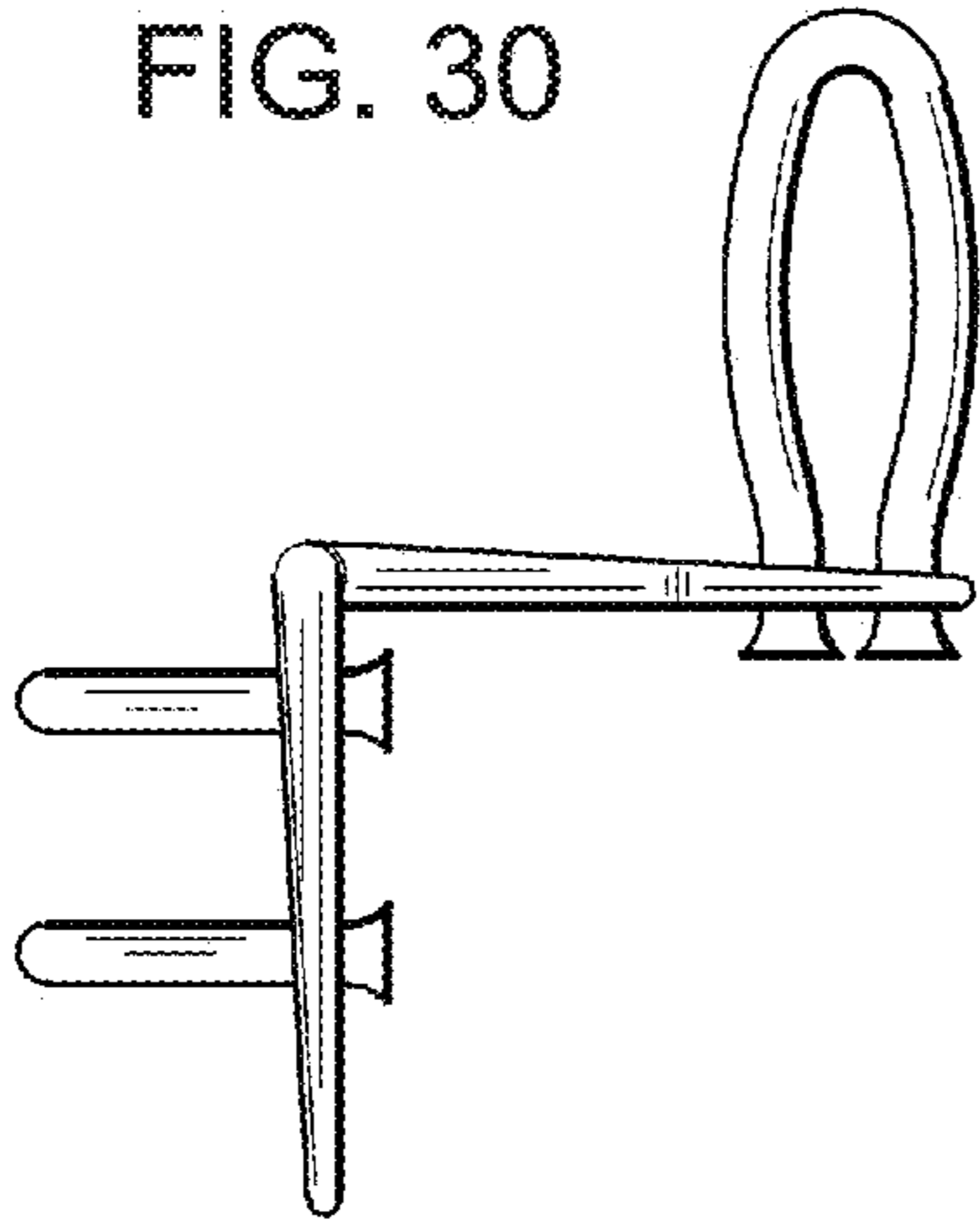


FIG. 31

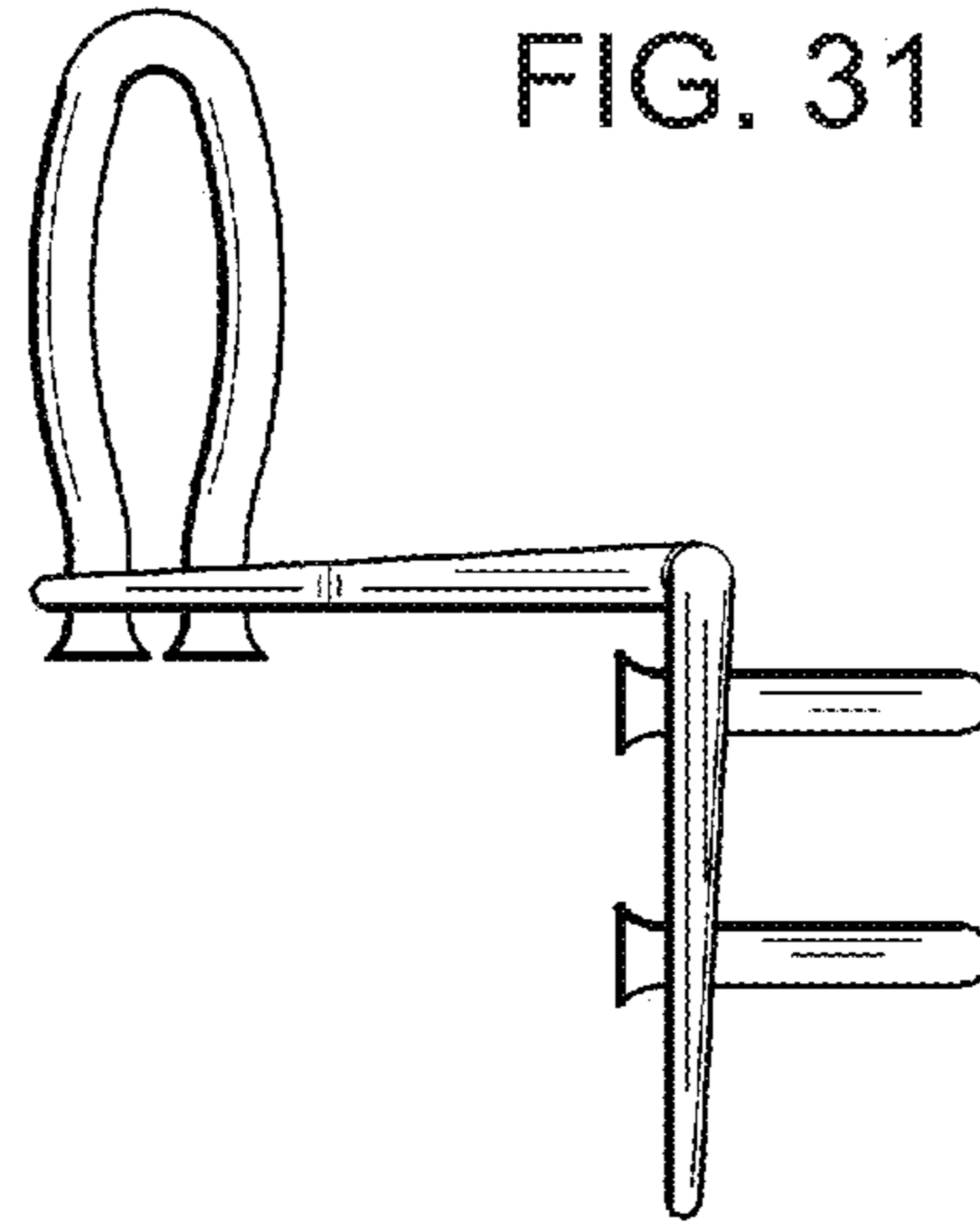


FIG. 32

