



US00D764002S

(12) **United States Design Patent**  
**Cavalcante**

(10) **Patent No.:** **US D764,002 S**

(45) **Date of Patent:** **\*\* Aug. 16, 2016**

(54) **POOL CUE HOLDER**

(71) Applicant: **Milo Cavalcante**, Norcross, GA (US)

(72) Inventor: **Milo Cavalcante**, Norcross, GA (US)

(\*\*) Term: **14 Years**

(21) Appl. No.: **29/517,759**

(22) Filed: **Feb. 16, 2015**

(51) **LOC (10) Cl.** ..... **21-01**

(52) **U.S. Cl.**  
USPC ..... **D21/782**

(58) **Field of Classification Search**

USPC ..... D21/782; 473/15, 19, 21, 37, 42, 44,  
473/50, 45, 43; 211/68, 60.1, 63, 89, 1,  
211/70.6, 85, 71.01, 84, 106, 2, 4, 41, 15;  
248/209.1, 312; 206/315.1, 315.7, 317  
CPC ..... A47F 7/00; A63B 55/00; A45C 13/38  
See application file for complete search history.

(56) **References Cited**

**U.S. PATENT DOCUMENTS**

735,832	A	8/1903	Sirrine	
3,713,611	A	1/1973	Voigt	
D293,700	S	1/1988	Rosewarne	
4,915,332	A *	4/1990	Ouellette	F16M 11/20 211/172
5,657,882	A *	8/1997	Johnson	A47B 1/005 211/68
5,685,517	A *	11/1997	Salibra	A01K 97/10 135/16
D387,114	S *	12/1997	Bliss	D21/726
D396,895	S	8/1998	Berry	
D423,620	S	4/2000	Cooper	
6,092,675	A *	7/2000	Ramirez, Jr.	A63D 15/10 211/60.1

D472,090	S *	3/2003	Wing	D6/552
6,868,641	B2 *	3/2005	Conner	E01F 9/0182 52/165
6,945,413	B1 *	9/2005	Meyer	A47F 7/0028 211/68
D534,610	S	1/2007	Weinstein	
D537,133	S	2/2007	Chan	
7,195,222	B2	3/2007	Dewnt	
7,353,943	B2 *	4/2008	Evans	A63D 15/10 190/102
7,559,428	B2 *	7/2009	Matzick	F41A 23/18 211/64
7,717,263	B2 *	5/2010	Evans	A63D 15/10 190/108
D627,412	S	11/2010	Bruce	
2009/0108167	A1	4/2009	White	

\* cited by examiner

*Primary Examiner* — Prabhakar Deshmukh

(74) *Attorney, Agent, or Firm* — QuickPatents, LLC; Kevin Prince

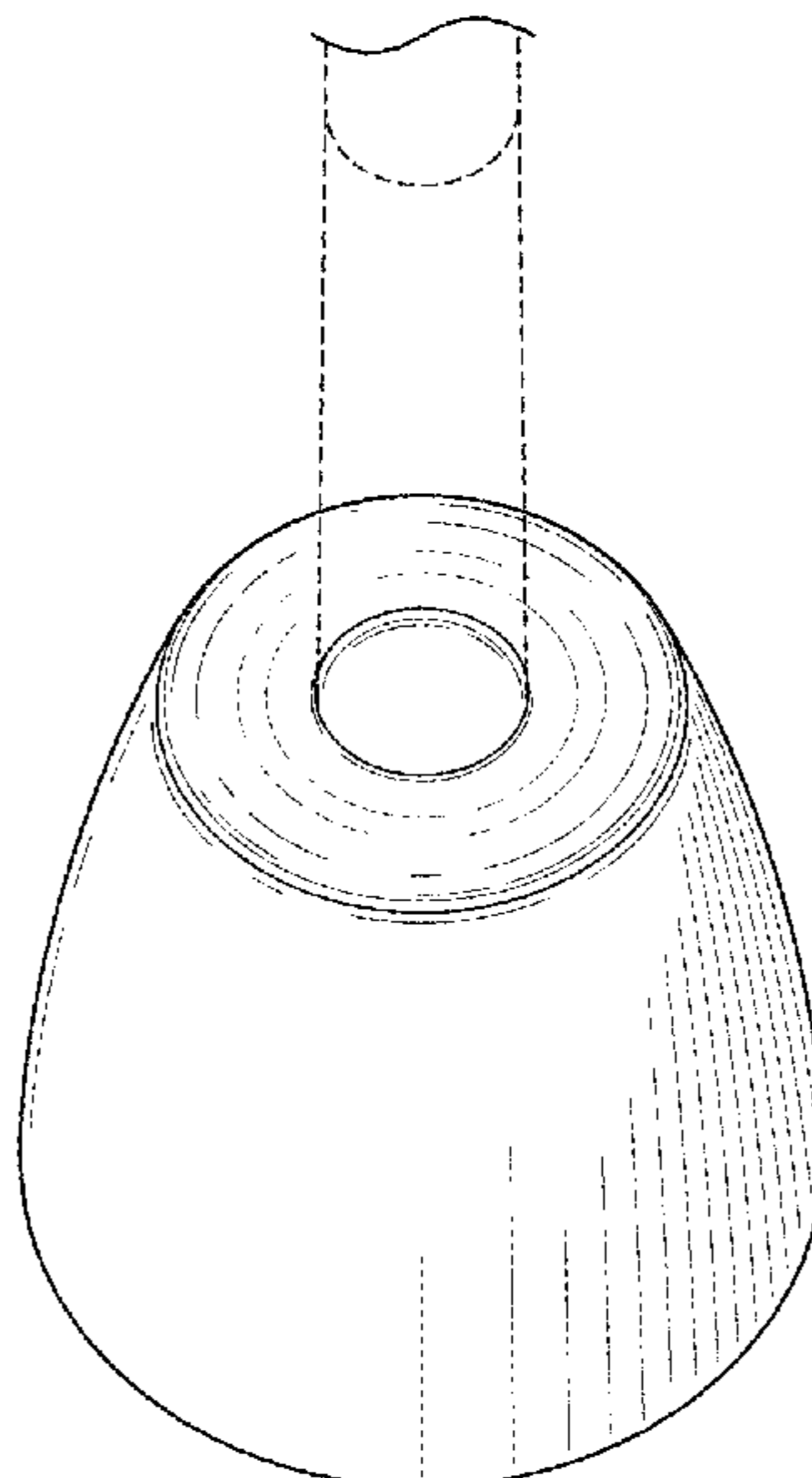
(57) **CLAIM**

I claim the ornamental design for a pool cue holder, as shown and described.

**DESCRIPTION**

FIG. 1 is a perspective view of a pool cue holder showing my new design;  
FIG. 2 is a front elevational view thereof, the rear, left and right elevational views are mirror image thereof;  
FIG. 3 is a top plan view thereof; and,  
FIG. 4 is a bottom plan view thereof.  
The broken lines indicate environmental matter and form no part of the claimed design.

**1 Claim, 2 Drawing Sheets**



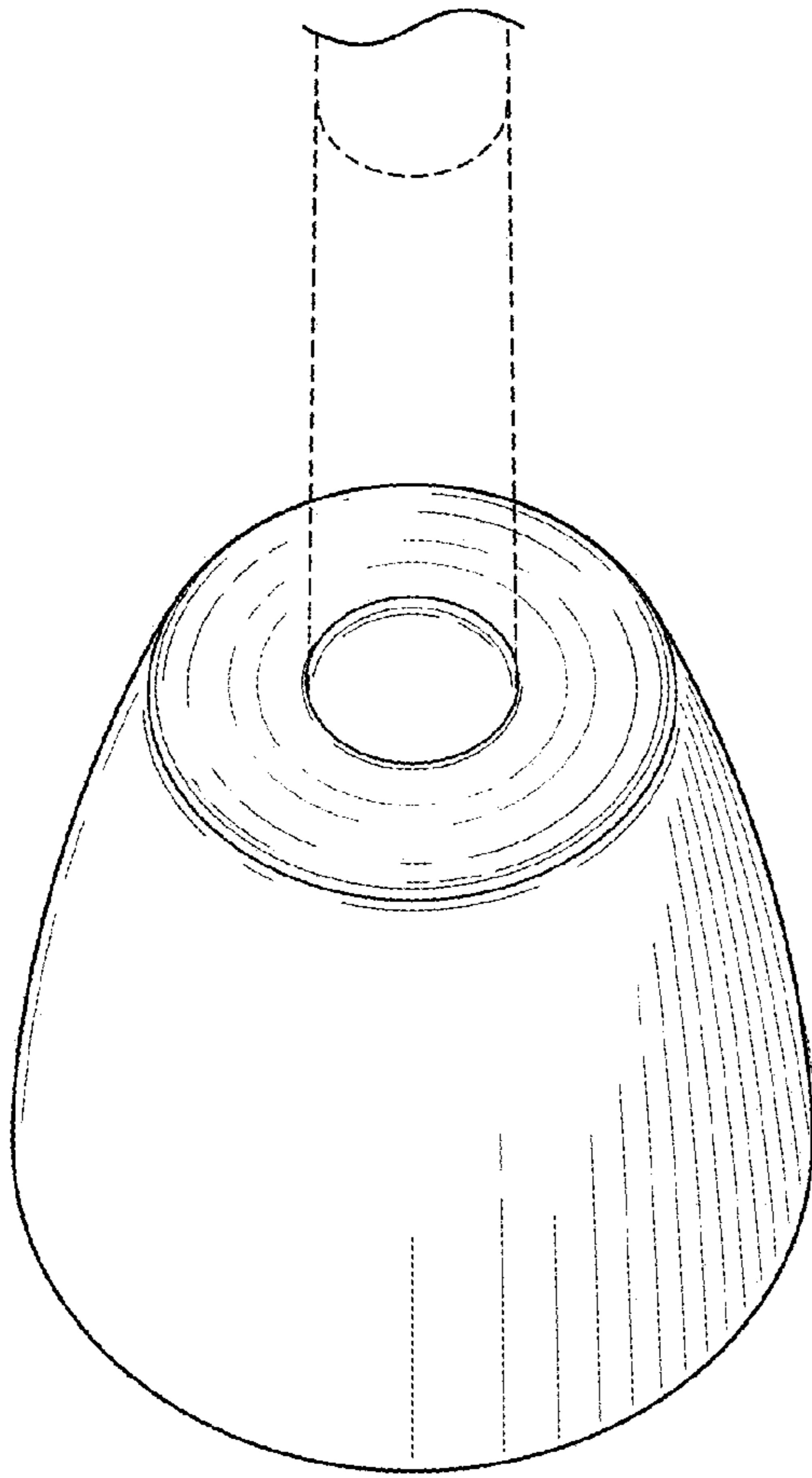


FIG. 1

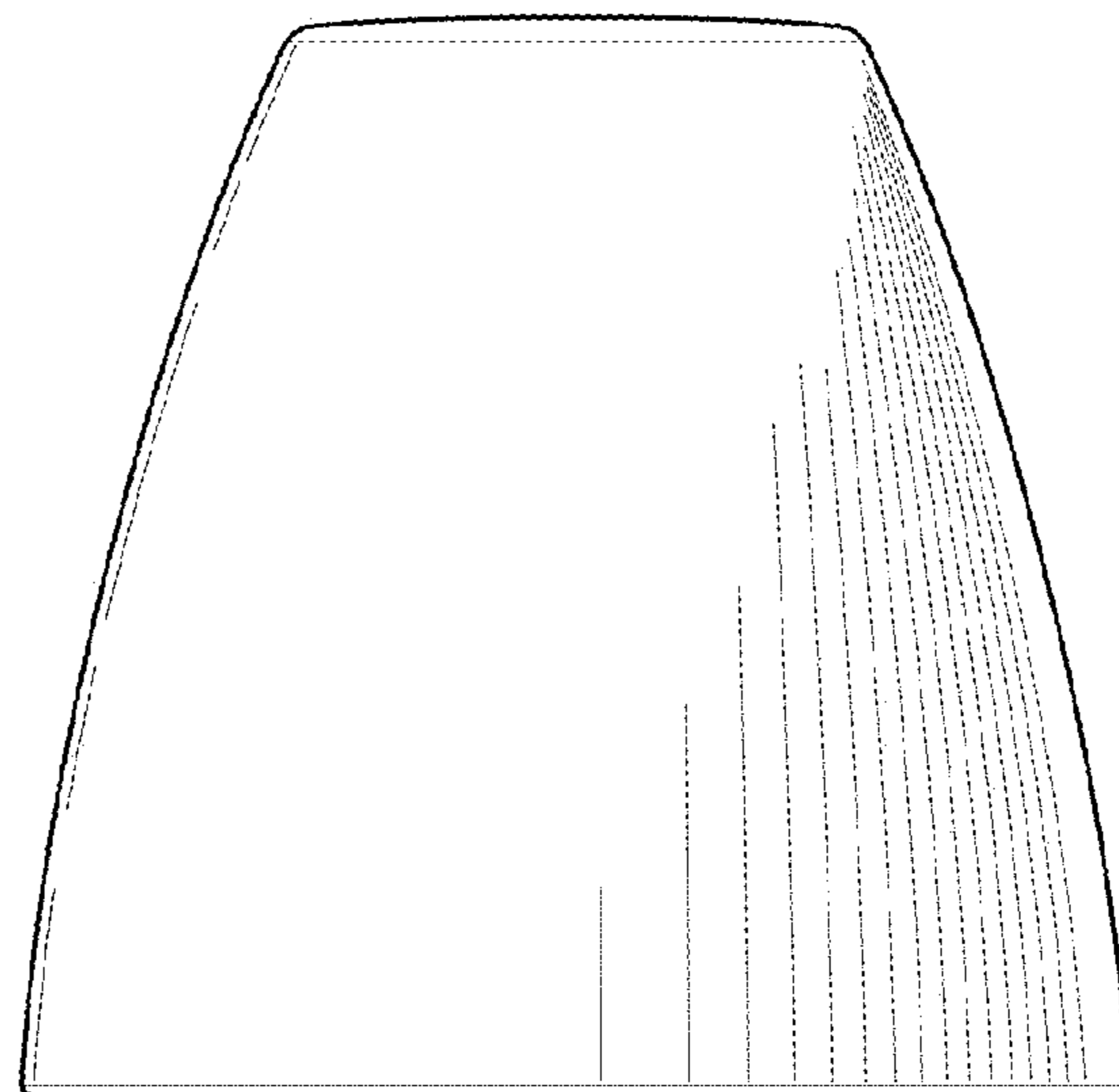


FIG. 2

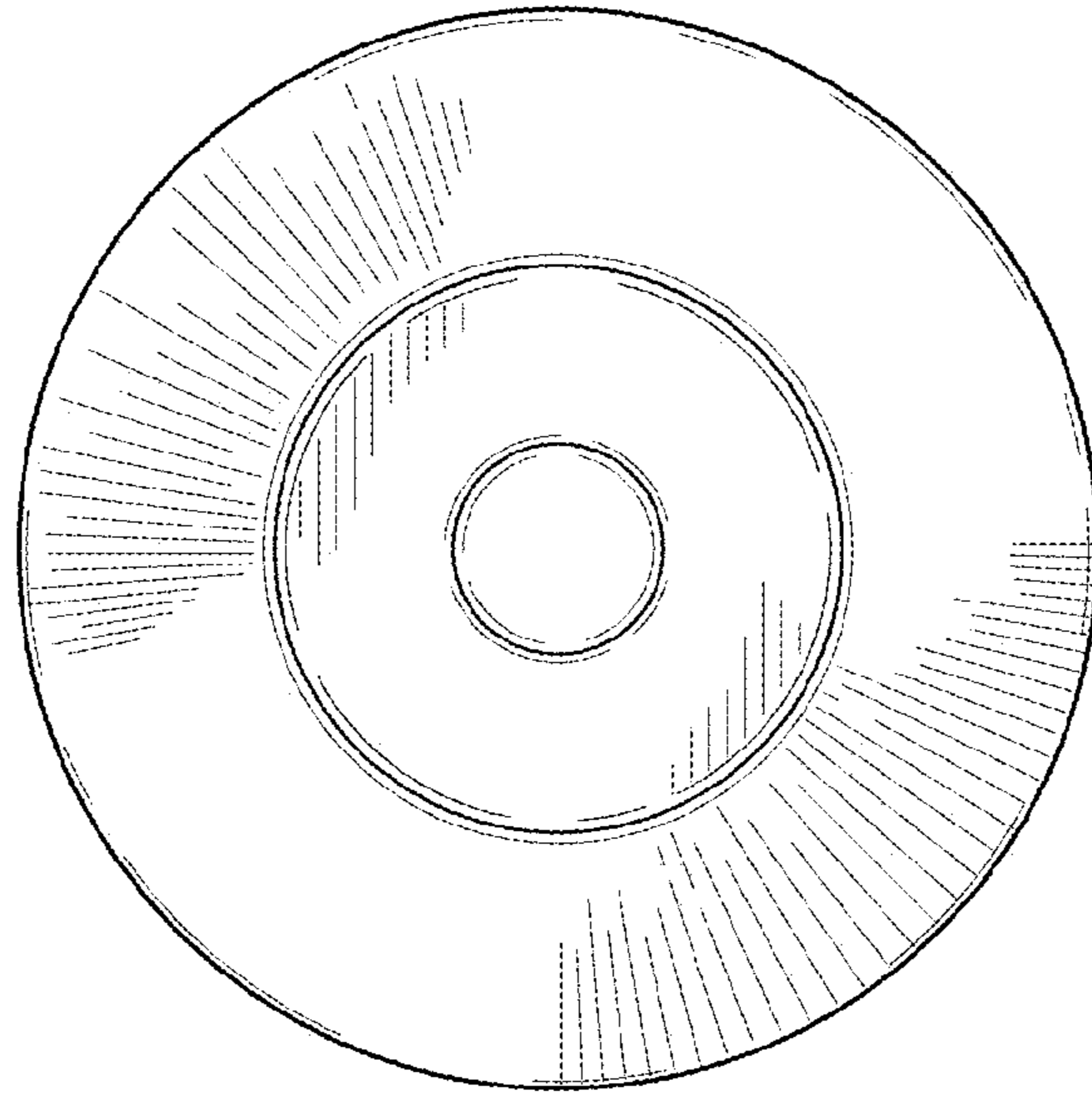


FIG. 3

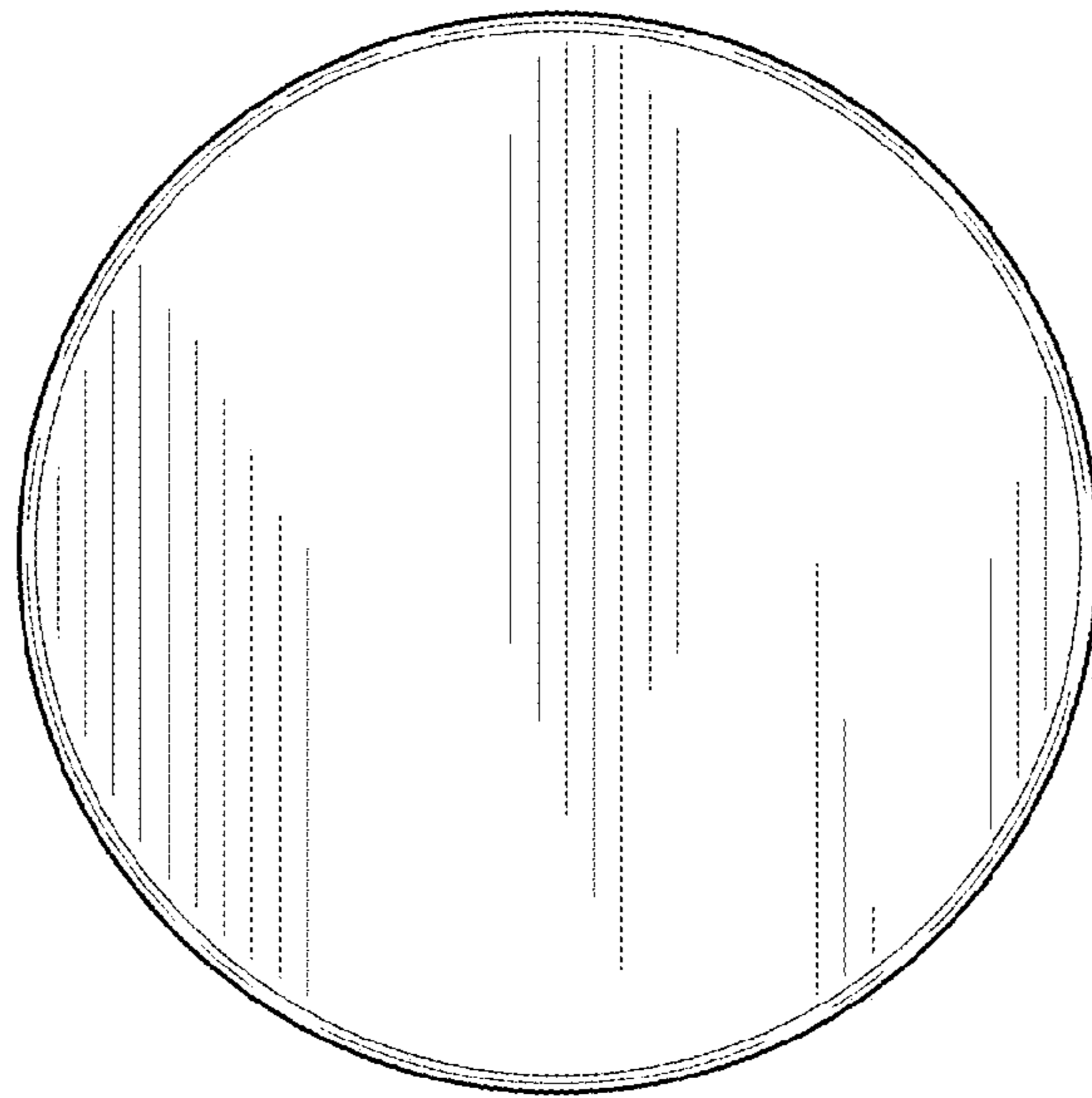


FIG. 4