



US00D763999S

(12) **United States Design Patent**
Tang et al.

(10) **Patent No.:** **US D763,999 S**

(45) **Date of Patent:** **** Aug. 16, 2016**

- (54) **GOLF CLUB HEAD**
- (71) Applicant: **CALLAWAY GOLF COMPANY**,
Carlsbad, CA (US)
- (72) Inventors: **Larry G. Tang**, Carlsbad, CA (US);
Scott R. Manwaring, Carlsbad, CA
(US); **Randolph J. Peterson**, Carlsbad,
CA (US); **Chris J. Wieland**, Vista, CA
(US)
- (73) Assignee: **Callaway Golf Company**, Carlsbad, CA
(US)
- (**) Term: **15 Years**
- (21) Appl. No.: **29/529,964**
- (22) Filed: **Jun. 11, 2015**
- (51) **LOC (10) Cl.** **21-02**
- (52) **U.S. Cl.**
USPC **D21/759**
- (58) **Field of Classification Search**
USPC D21/747-751, 759
CPC A63B 53/00; A63B 53/04; A63B 53/047;
A63B 53/0475; A63B 53/0445; A63B
2053/0479
See application file for complete search history.

- D491,620 S * 6/2004 Nishitani D21/747
- D499,155 S * 11/2004 Imamoto D21/747
- D516,649 S * 3/2006 Imamoto D21/747
- D673,634 S * 1/2013 Jertson D21/759
- 8,657,700 B2 * 2/2014 Nicolette A63B 53/047
473/290
- D715,881 S * 10/2014 Roche D21/759
- D736,872 S * 8/2015 Llewellyn D21/759
- D736,873 S * 8/2015 Voshall D21/759

* cited by examiner

Primary Examiner — Mitchell Siegel

(74) *Attorney, Agent, or Firm* — Rebecca Hanovice;
Michael Catania; Sonia Lari

(57) **CLAIM**

The ornamental design for a golf club head, as shown and described.

DESCRIPTION

FIG. 1 is a rear perspective view of the golf club head claimed herein;

FIG. 2 is a front elevational view thereof;

FIG. 3 is a rear elevational view thereof;

FIG. 4 is a left side elevational view thereof;

FIG. 5 is a right side elevational view thereof;

FIG. 6 is a top plan view thereof; and,

FIG. 7 is a bottom plan view thereof.

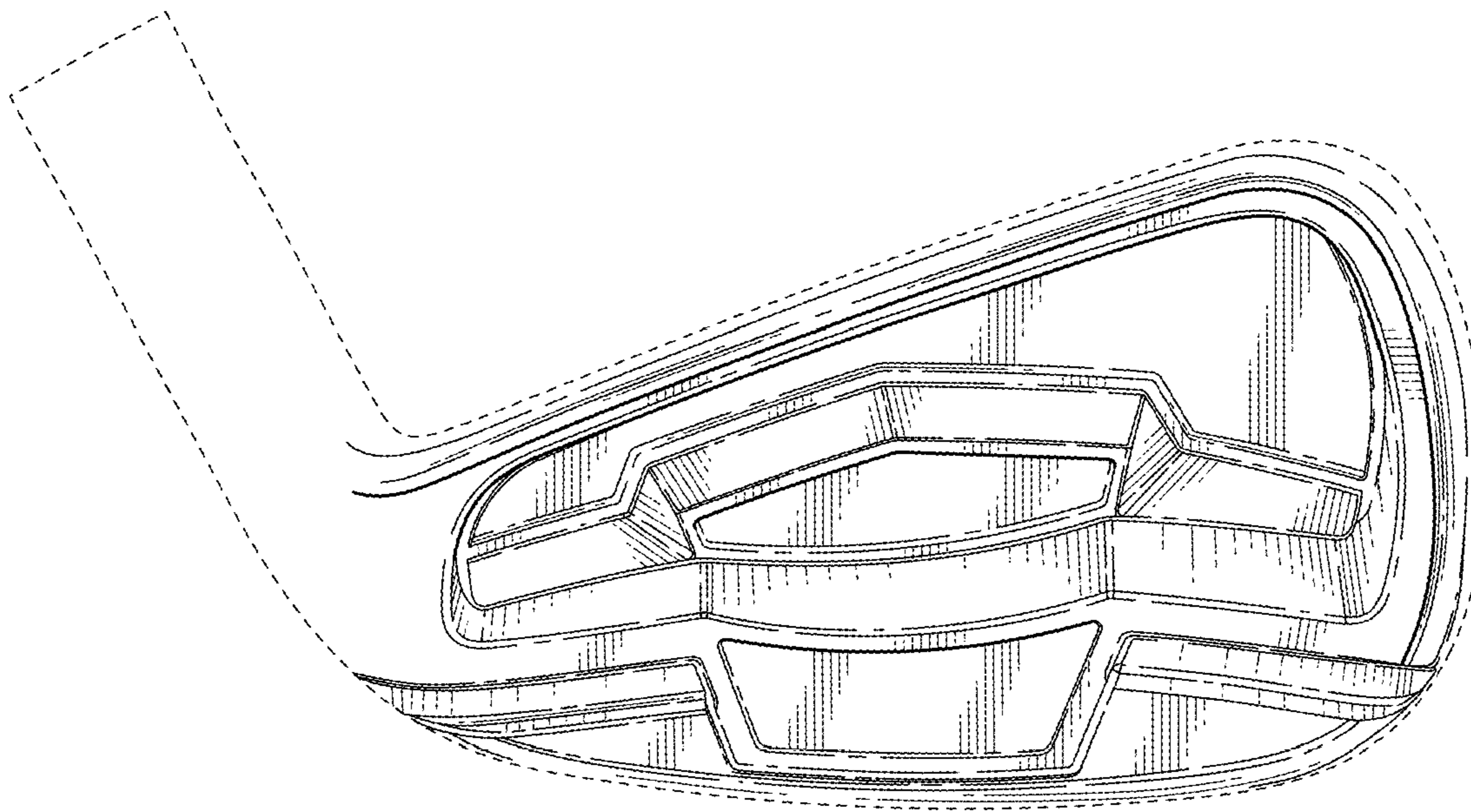
The broken lines are included for the purpose of illustration only and form no part of the claimed design.

(56) **References Cited**

U.S. PATENT DOCUMENTS

D468,788 S * 1/2003 Bode D21/748

1 Claim, 4 Drawing Sheets



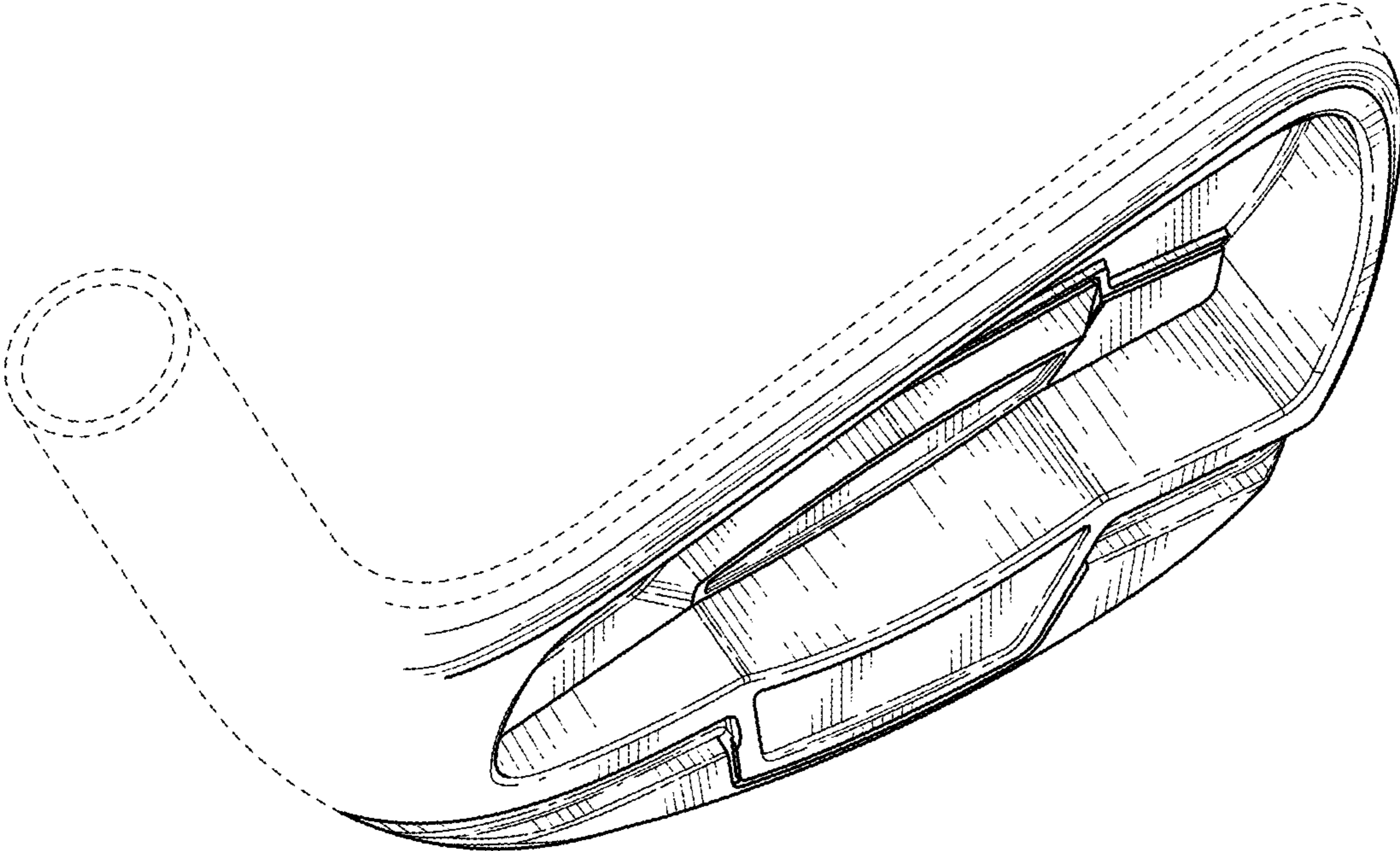


FIG. 1

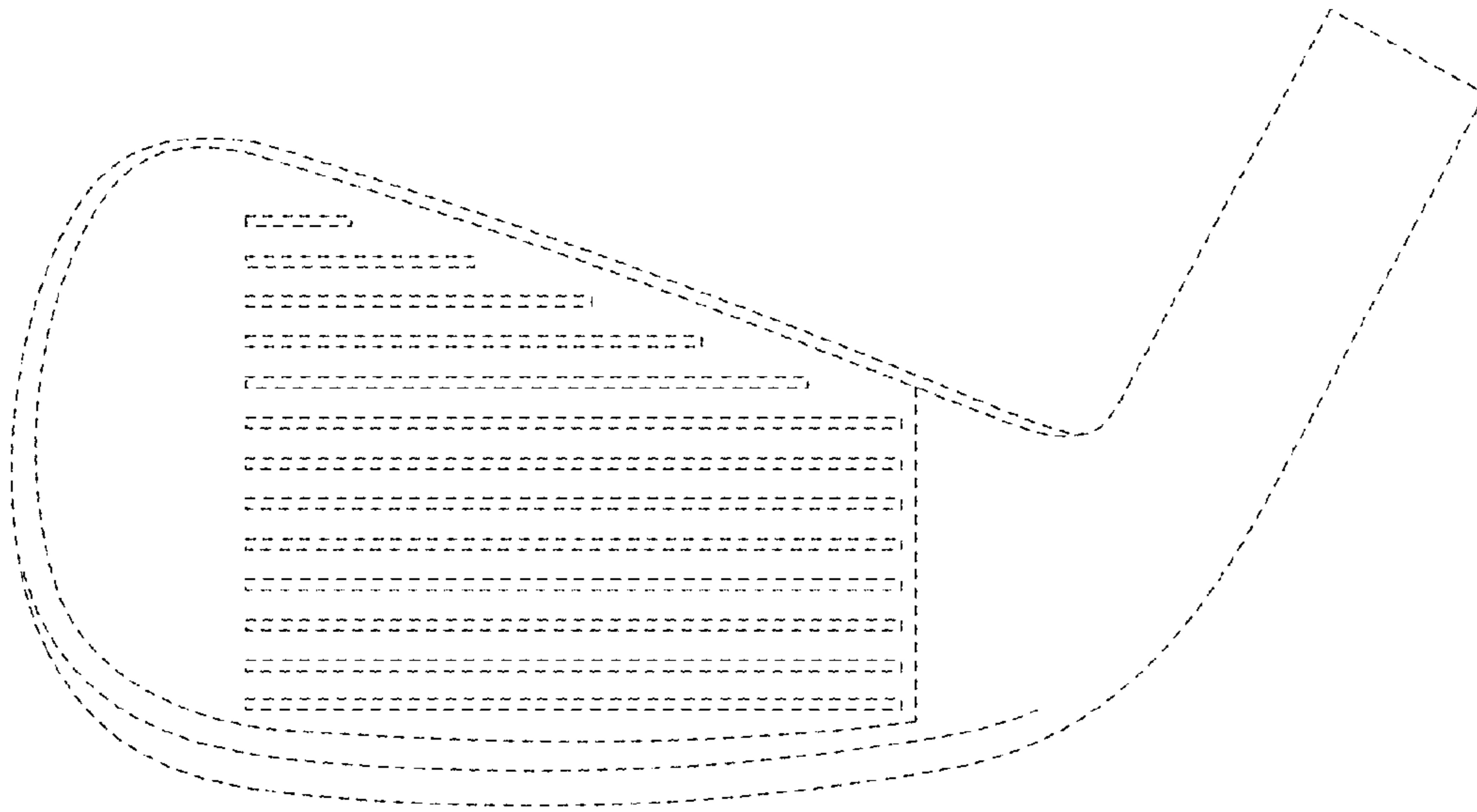


FIG. 2

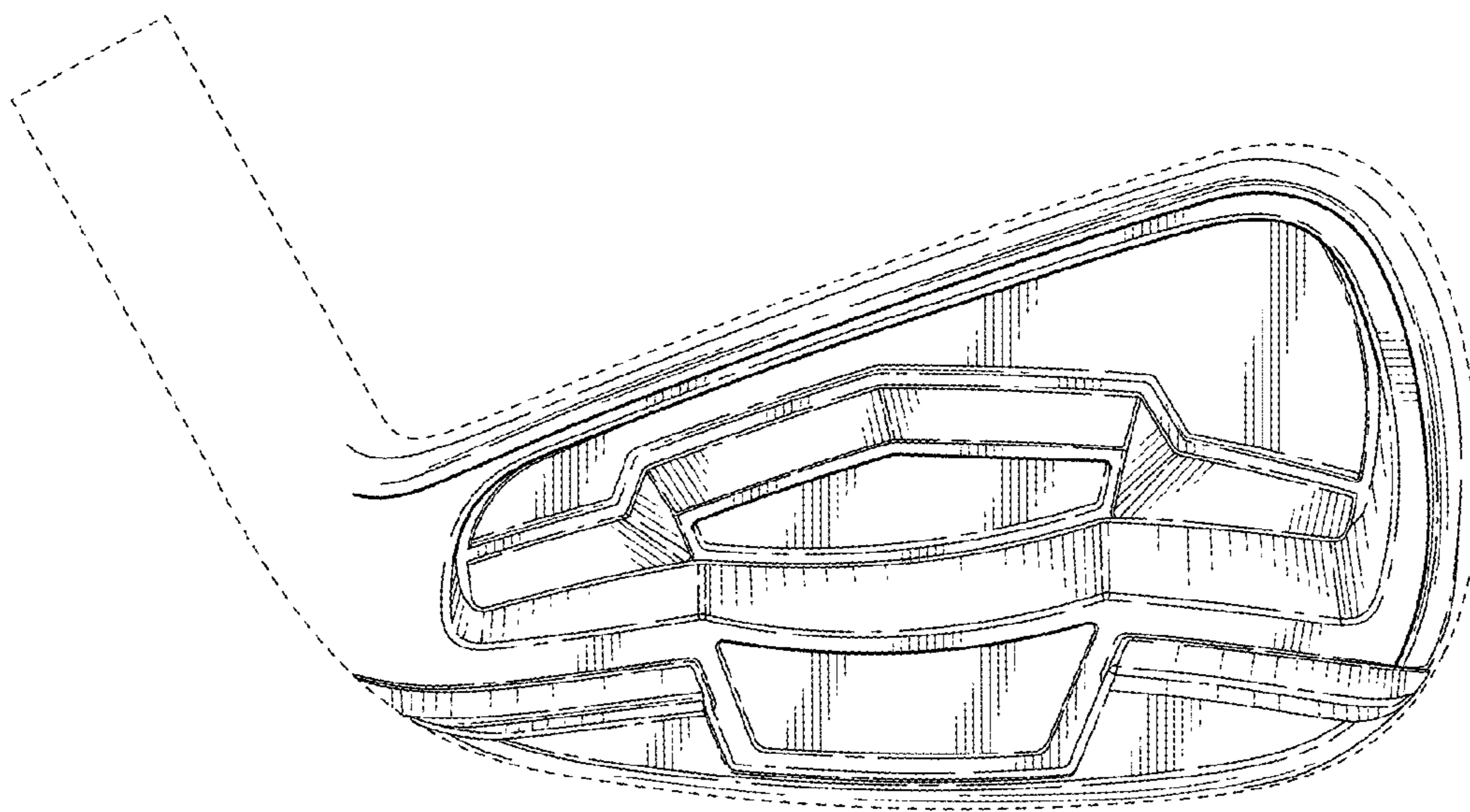


FIG. 3

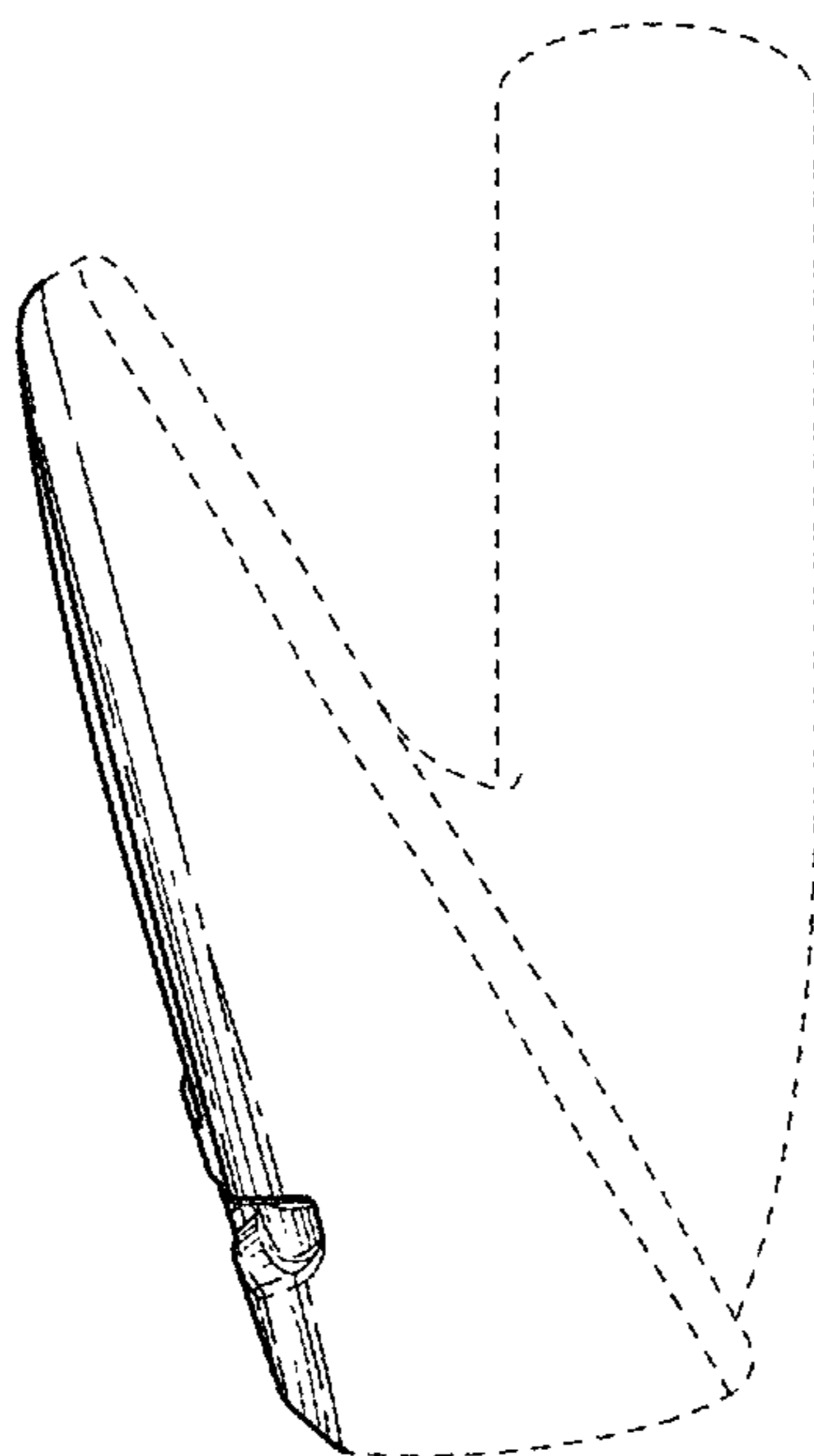


FIG. 4

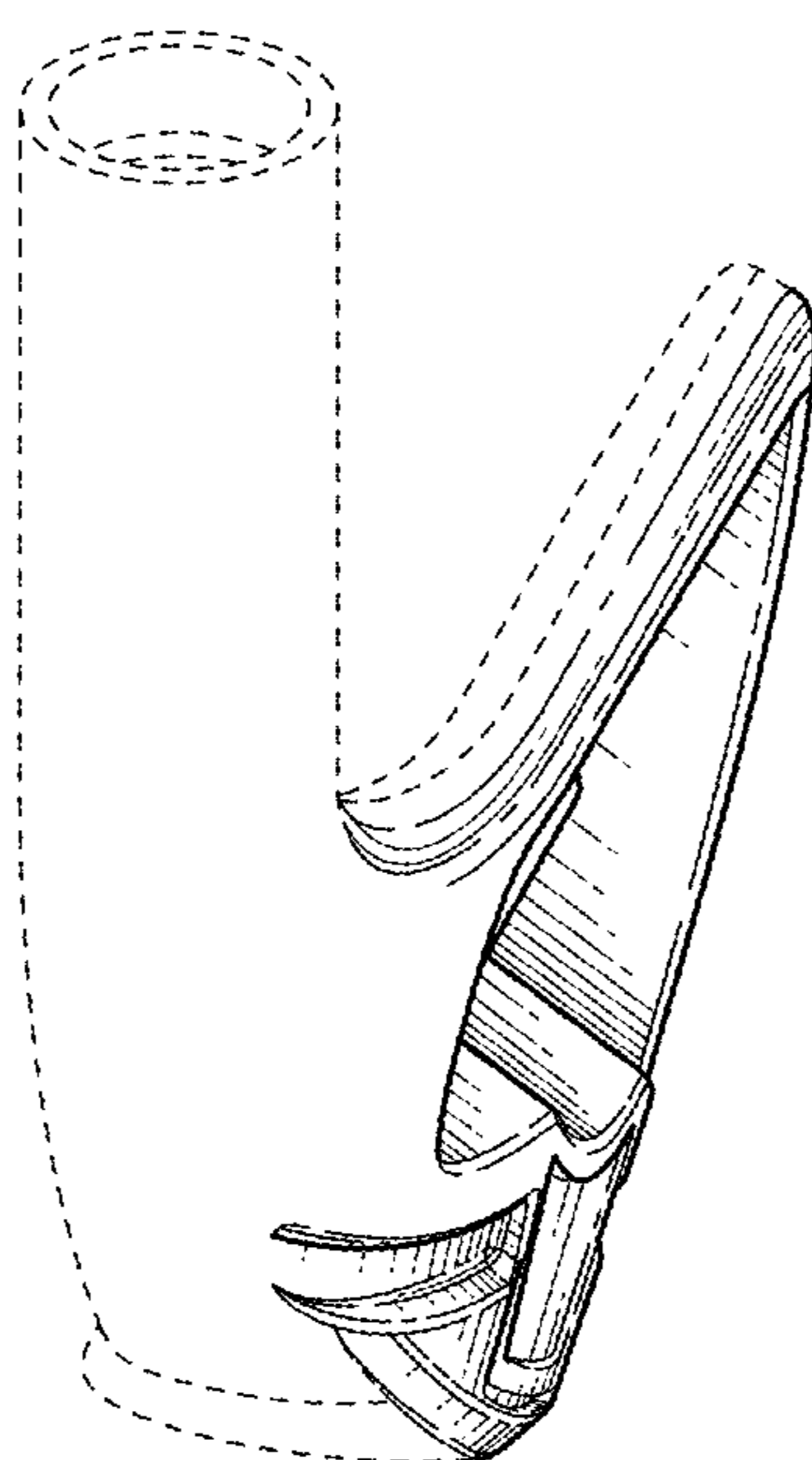


FIG. 5

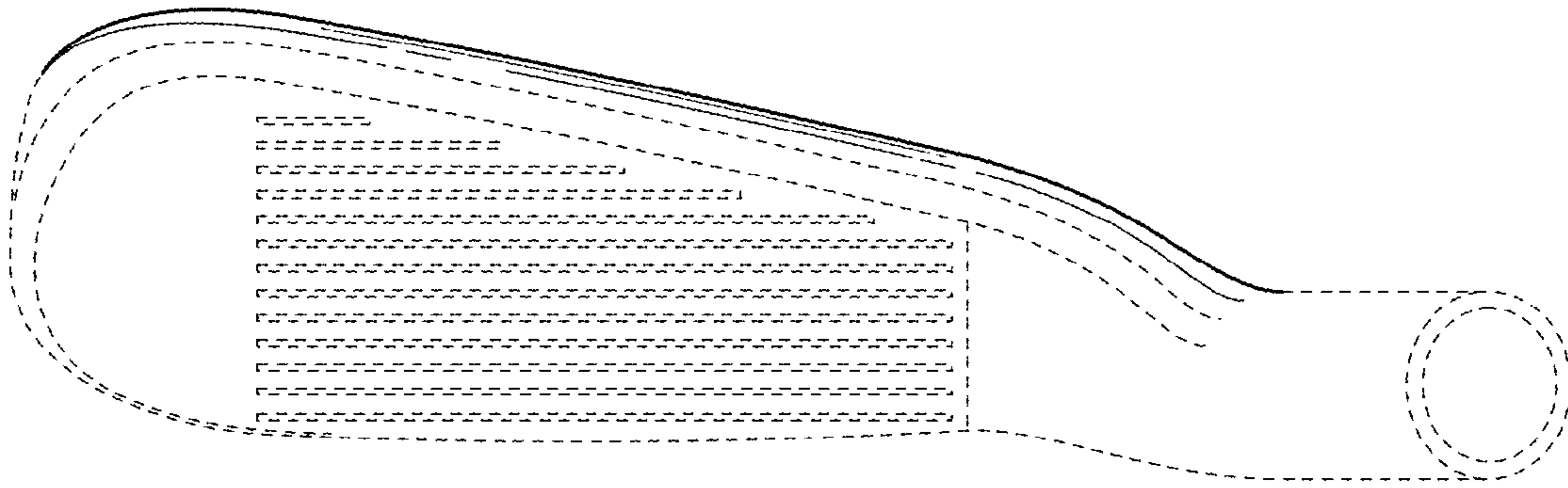


FIG. 6

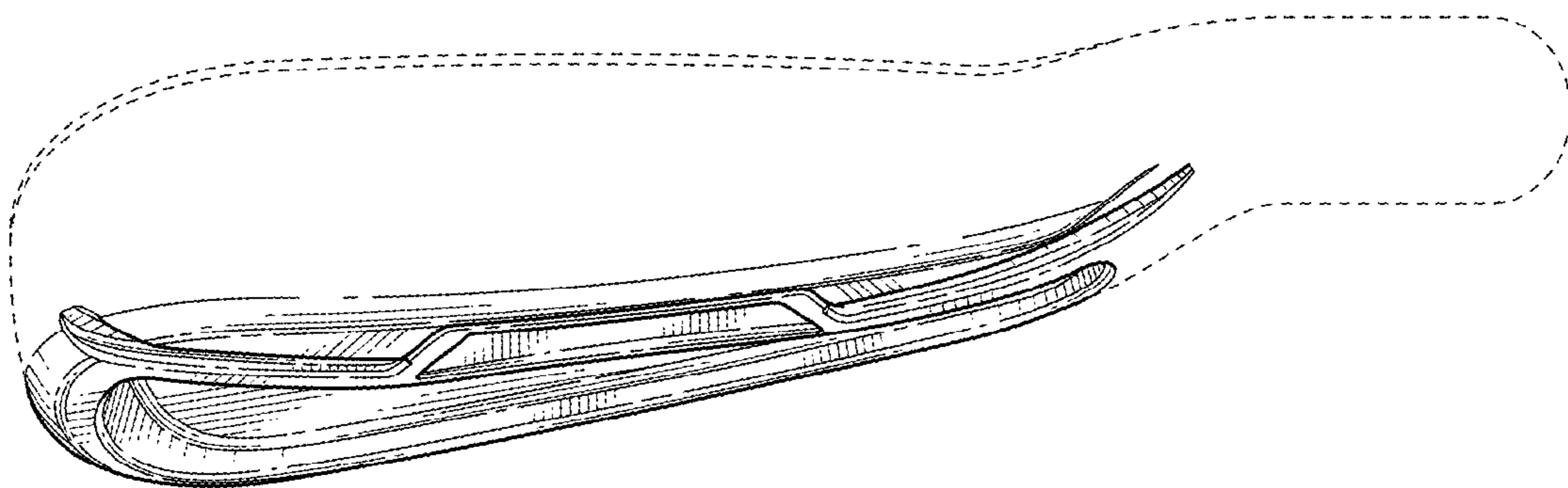


FIG. 7