



US00D763993S

(12) **United States Design Patent**
Cardani

(10) **Patent No.:** **US D763,993 S**

(45) **Date of Patent:** **** Aug. 16, 2016**

(54) **GOLF CLUB HEAD FOR A PUTTER**

(71) Applicant: **NIKE, Inc.**, Beaverton, OR (US)

(72) Inventor: **Jason Cardani**, Portland, OR (US)

(73) Assignee: **NIKE, Inc.**, Beaverton, OR (US)

(**) Term: **14 Years**

(21) Appl. No.: **29/525,375**

(22) Filed: **Apr. 29, 2015**

(51) **LOC (10) Cl.** **21-02**

(52) **U.S. Cl.**
USPC **D21/759**

(58) **Field of Classification Search**
USPC D21/736-746, 759, 752
CPC A63B 53/00; A63B 53/04; A63B 53/007;
A63B 53/065; A63B 53/0487
See application file for complete search history.

(56) **References Cited**

U.S. PATENT DOCUMENTS

D378,688 S	4/1997	Cameron	
D399,899 S	10/1998	Sizemore, Jr.	
D447,782 S	9/2001	Hettinger et al.	
D508,546 S	8/2005	Oldknow	
D510,395 S *	10/2005	Mirafior	D21/759
D514,181 S	1/2006	Cameron	
D519,180 S	4/2006	Oldknow	
D529,564 S *	10/2006	Grace	D21/759
D570,944 S	6/2008	Oldknow et al.	
D571,885 S	6/2008	Stites et al.	
D574,456 S *	8/2008	Chen	D21/759
D575,368 S *	8/2008	Oldknow	D21/759
D588,657 S	3/2009	Hettinger et al.	
D603,007 S	10/2009	Franklin	
D604,782 S	11/2009	Franklin	
D624,978 S	10/2010	Rollinson	
D639,366 S	6/2011	Reinberg	

D639,368 S	6/2011	Reinberg	
D641,442 S	7/2011	Rollinson	
D642,643 S *	8/2011	Nicolette	D21/759
D648,407 S *	11/2011	Teramoto	D21/743
D661,754 S *	6/2012	Cameron	D21/759
D690,378 S	9/2013	Rollinson	
D707,771 S *	6/2014	Cameron	D21/759
D715,388 S	10/2014	Serrano et al.	
D730,465 S *	5/2015	Cameron	D21/759
2010/0323807 A1	12/2010	Rha	

OTHER PUBLICATIONS

Edwin Watts Golf Catalog, Spring 2010; pp. 7, published Spring 2010.
Golfsmith Catalog, Spring 2010; pp. 25, published Spring 2010.
Golfsmith Catalog, Spring 2010; pp. 34, published Spring 2010.
Golfsmith Catalog, Spring 2010; pp. 29, published Spring 2010.

* cited by examiner

Primary Examiner — Mitchell Siegel

(74) *Attorney, Agent, or Firm* — Banner & Witcoff, Ltd.

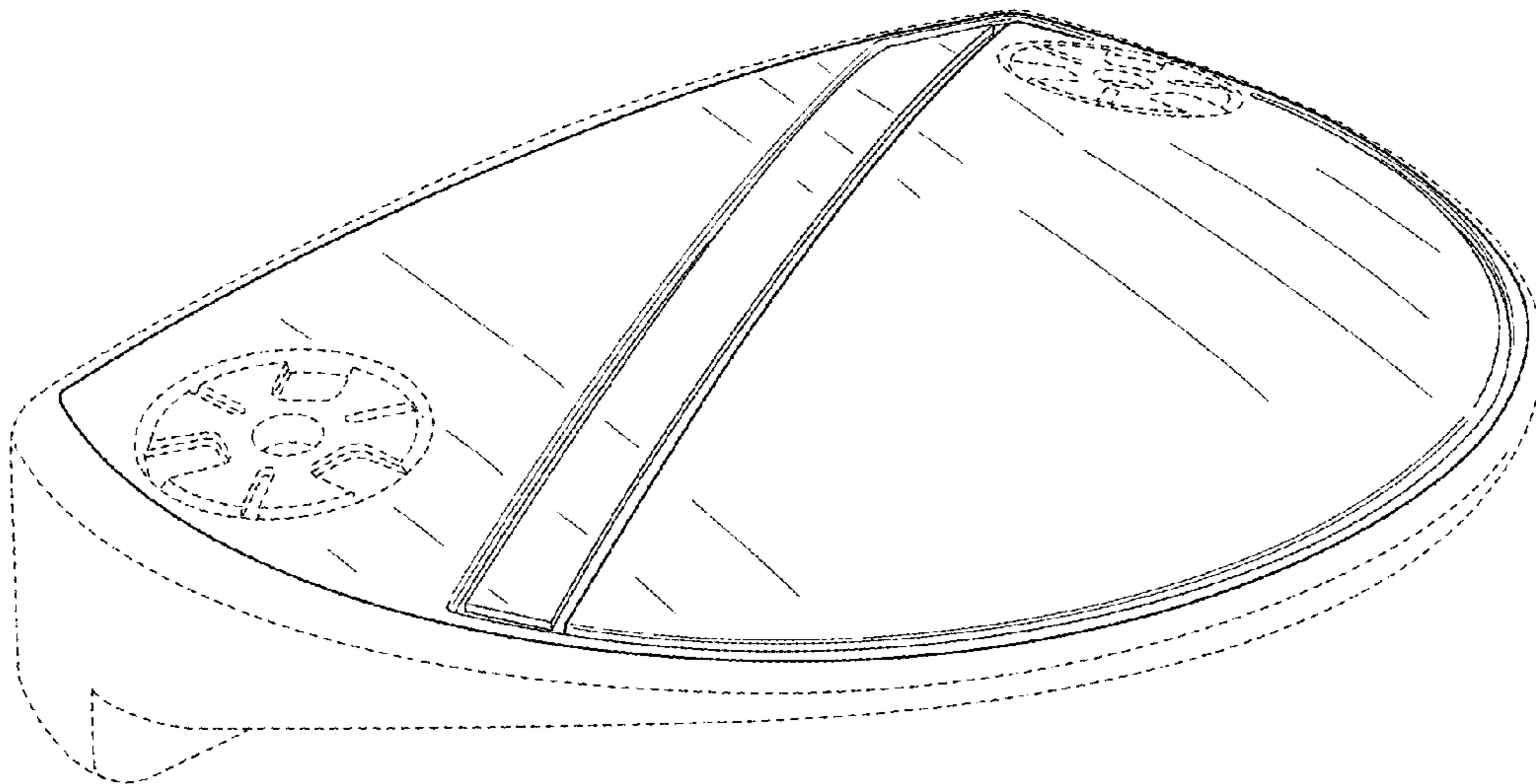
(57) **CLAIM**

The ornamental design for a golf club head for a putter, as shown and described.

DESCRIPTION

FIG. 1 is a bottom perspective view of a golf club head for a putter showing my new design;
FIG. 2 is a bottom view thereof;
FIG. 3 is a rear view thereof;
FIG. 4 is a front view thereof;
FIG. 5 is a toe end view thereof;
FIG. 6 is a heel end view thereof; and,
FIG. 7 is a top view thereof.
The broken lines showing the remainder of the golf club are for environmental purposes only and form no part of the claimed design.

1 Claim, 4 Drawing Sheets



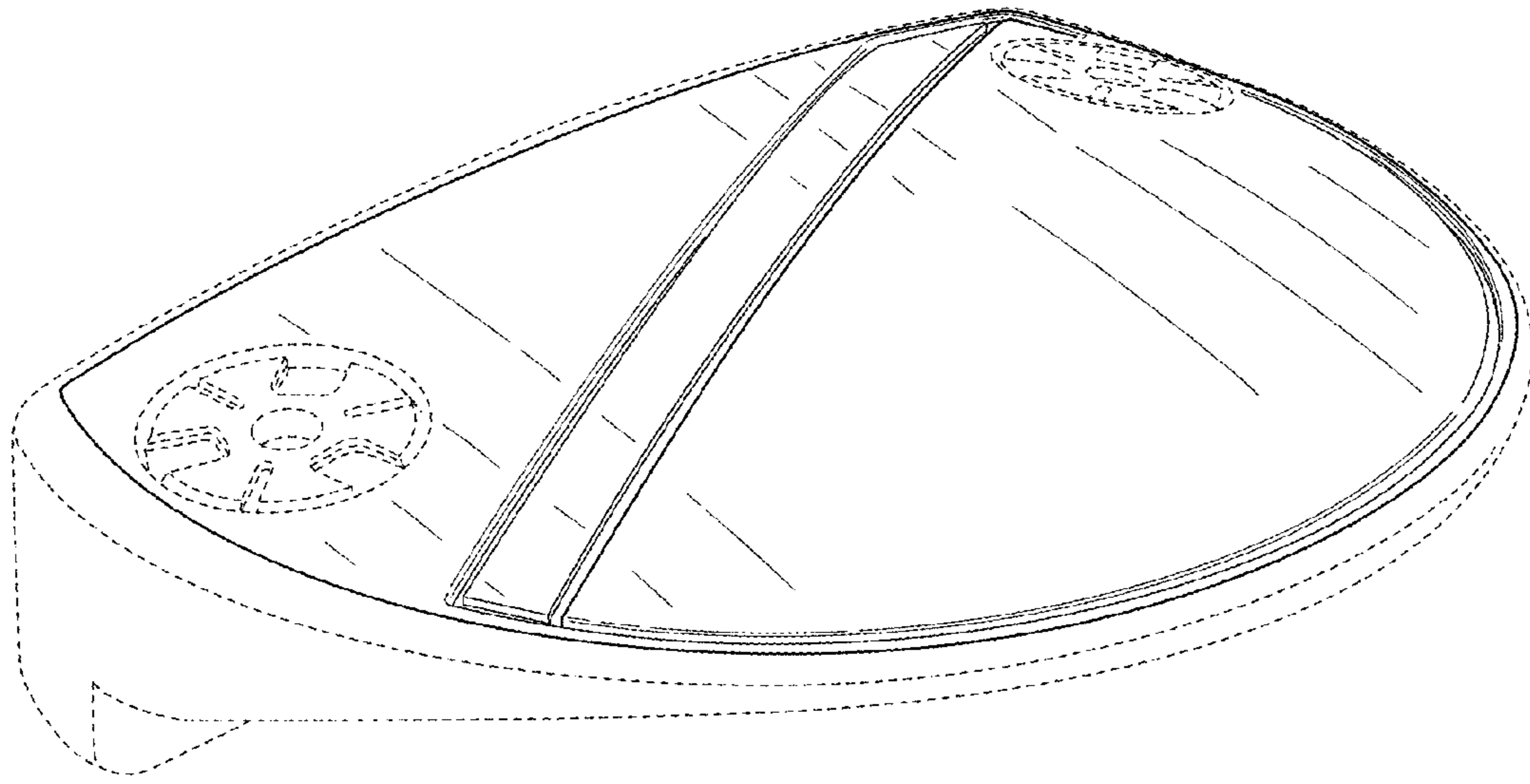


FIG. 1

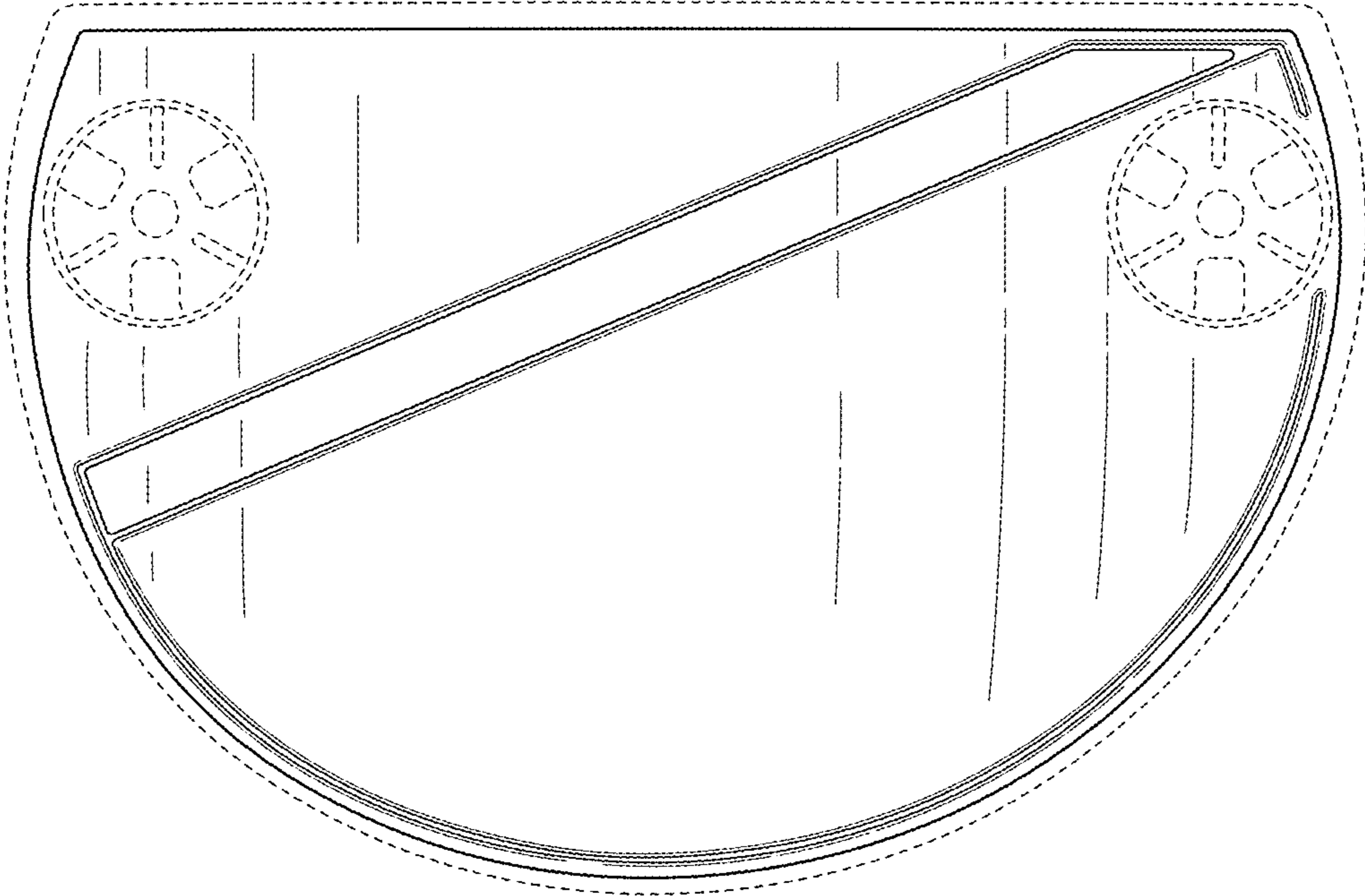


FIG. 2

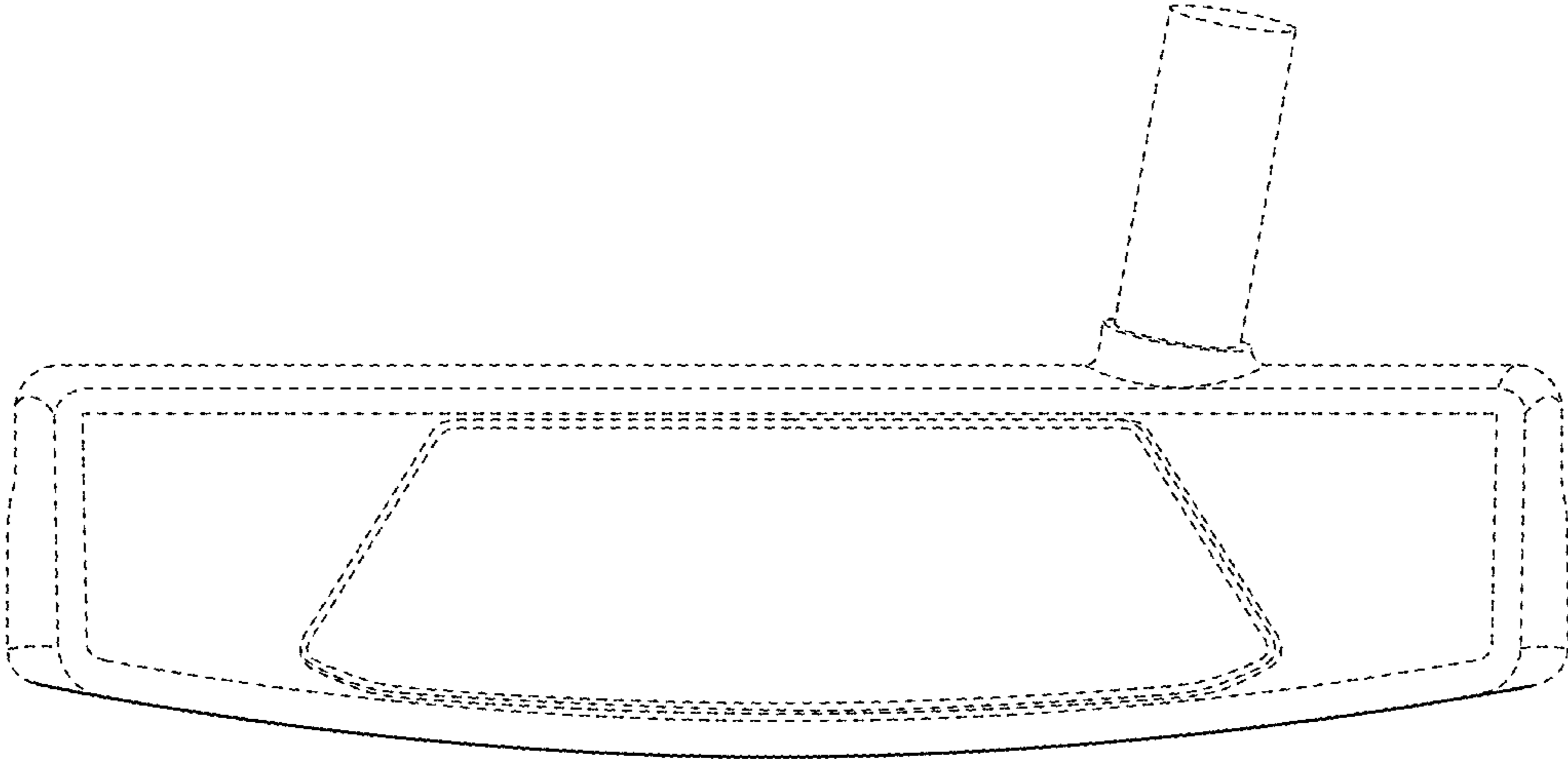


FIG. 3

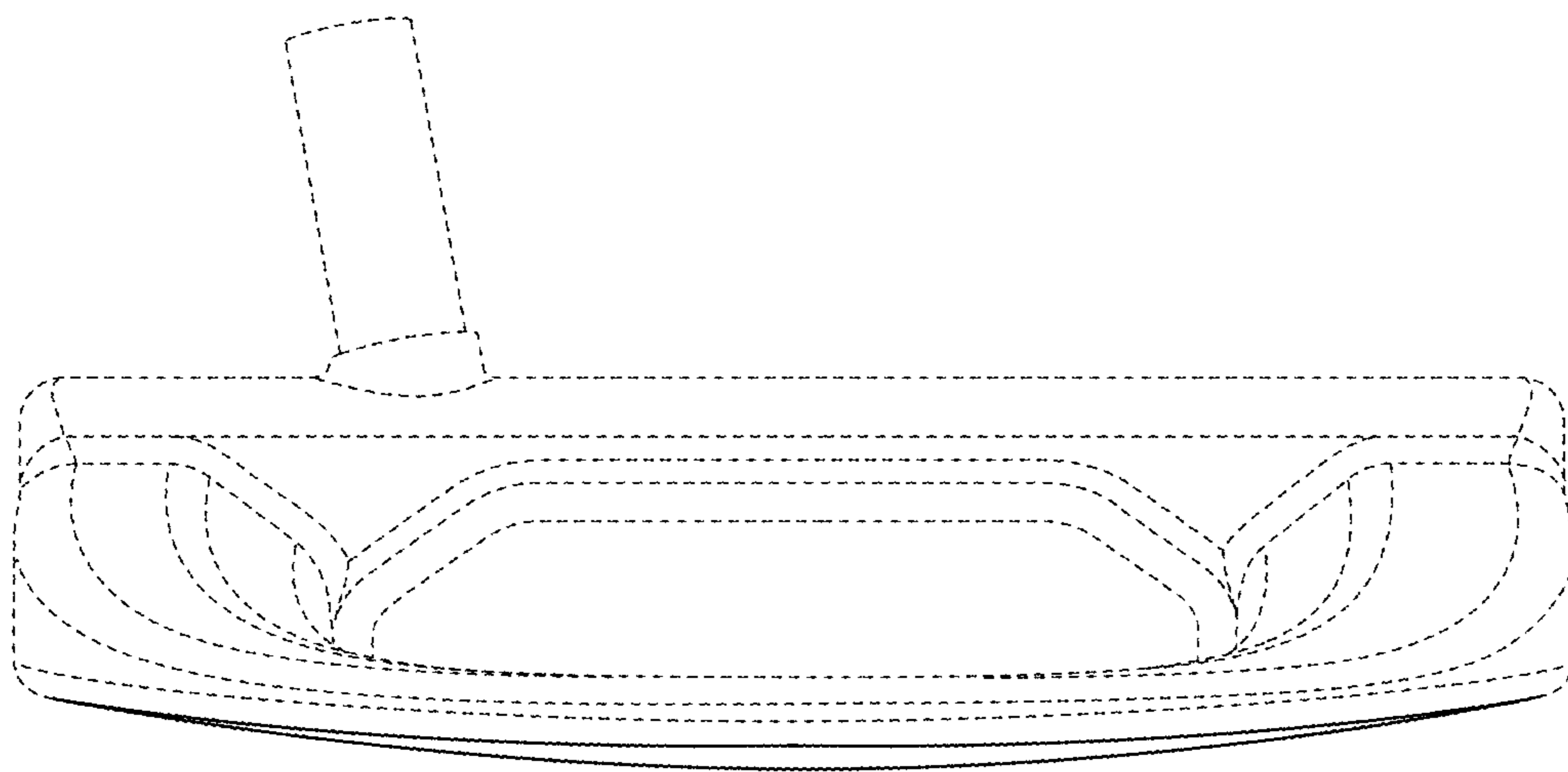


FIG. 4

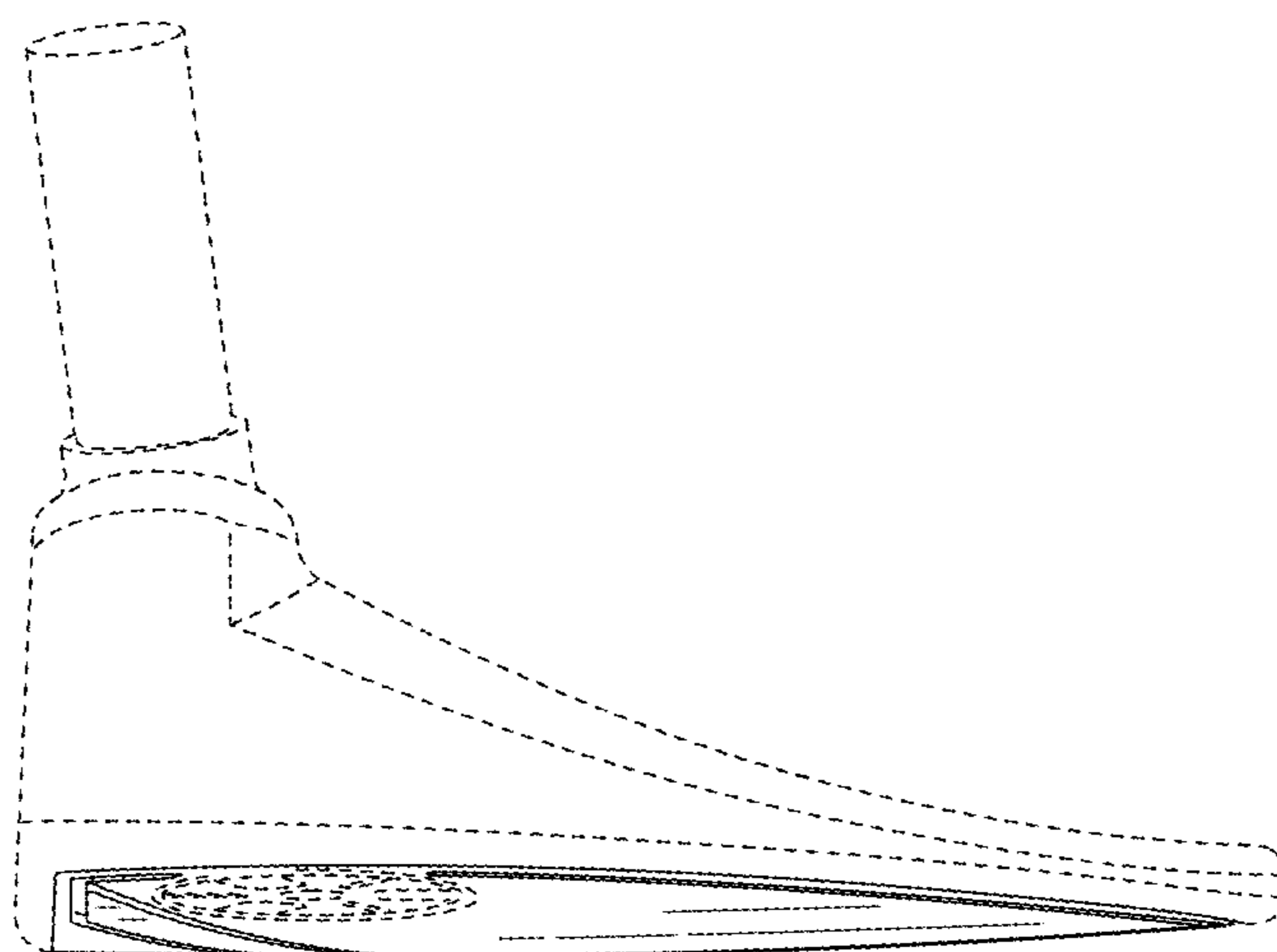


FIG. 5

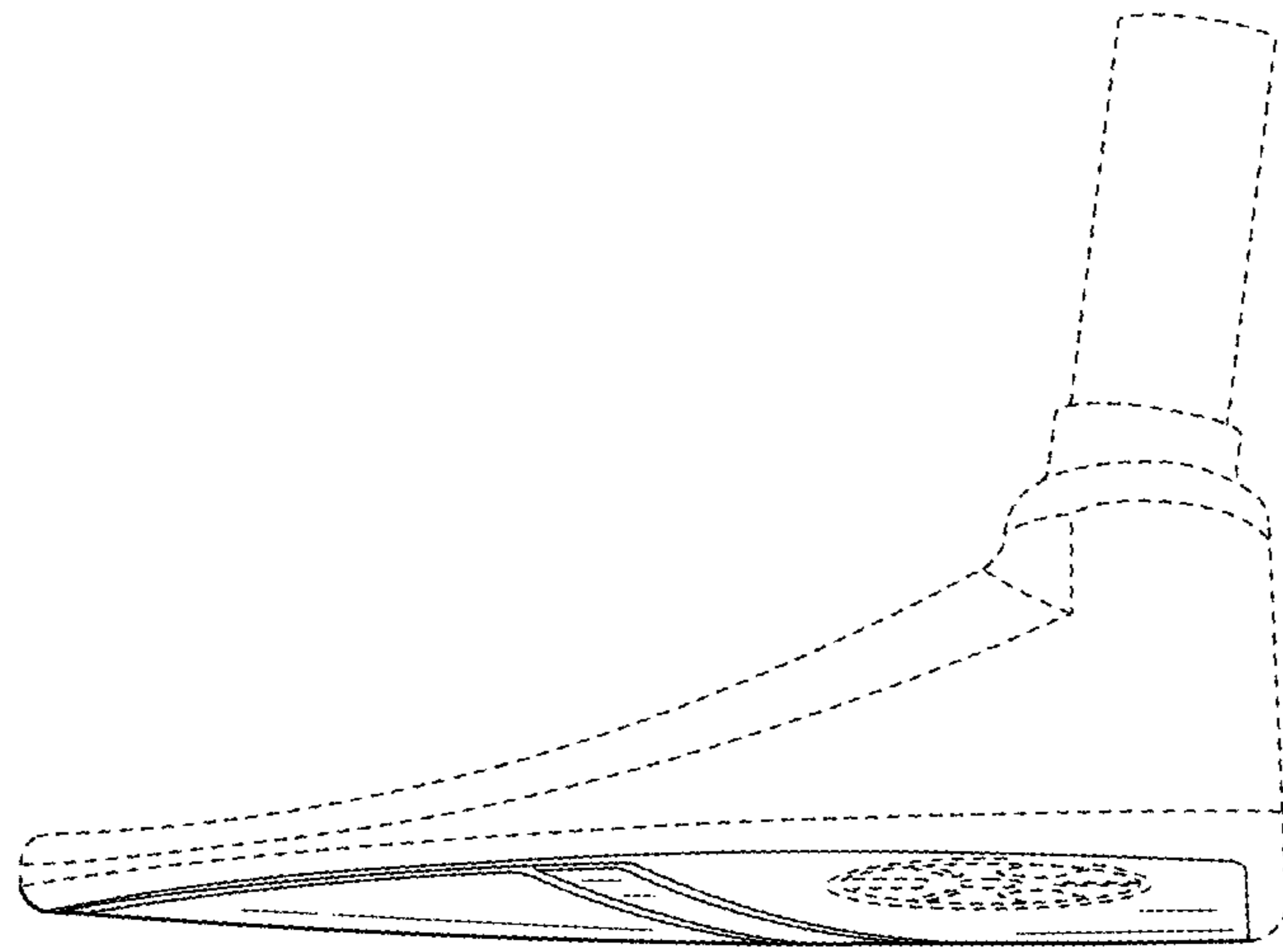


FIG. 6

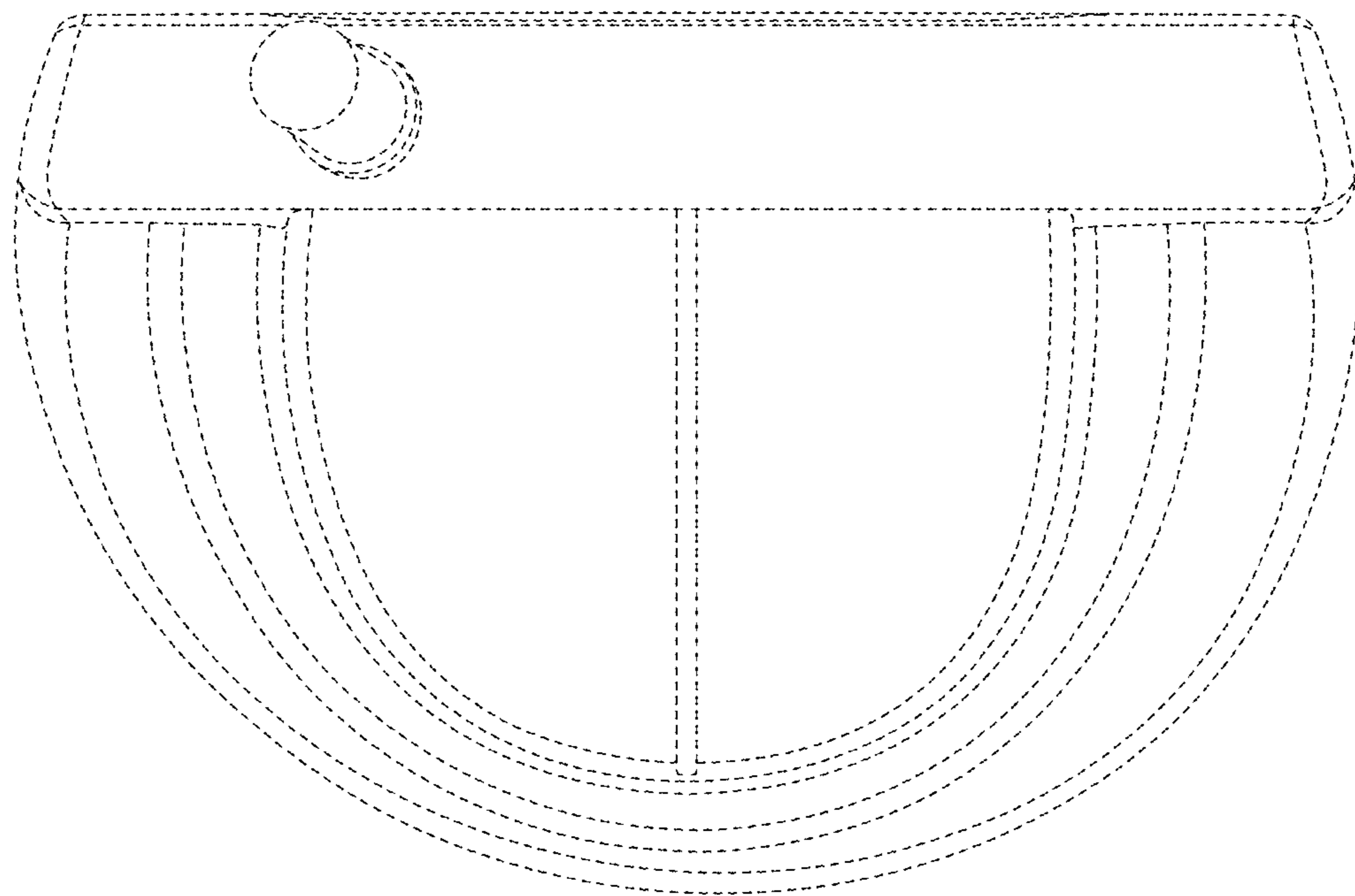


FIG. 7