



US00D763992S

(12) **United States Design Patent**  
**Cardani**

(10) **Patent No.:** **US D763,992 S**

(45) **Date of Patent:** **\*\* Aug. 16, 2016**

(54) **GOLF CLUB HEAD FOR A PUTTER**

(71) Applicant: **NIKE, Inc.**, Beaverton, OR (US)

(72) Inventor: **Jason Cardani**, Portland, OR (US)

(73) Assignee: **NIKE, Inc.**, Beaverton, OR (US)

(\*\*) Term: **14 Years**

(21) Appl. No.: **29/525,369**

(22) Filed: **Apr. 29, 2015**

(51) **LOC (10) Cl.** ..... **21-02**

(52) **U.S. Cl.**  
USPC ..... **D21/759**

(58) **Field of Classification Search**  
USPC ..... D21/736-746, 759, 752  
CPC ..... A63B 53/00; A63B 53/04; A63B 53/007;  
A63B 53/065; A63B 53/0487  
See application file for complete search history.

(56) **References Cited**

**U.S. PATENT DOCUMENTS**

D378,688 S	4/1997	Cameron	
D399,899 S	10/1998	Sizemore, Jr.	
D402,723 S	12/1998	Goin et al.	
D420,078 S	2/2000	Dawson	
D447,782 S	9/2001	Hettinger et al.	
D485,320 S	1/2004	Breier et al.	
D508,546 S	8/2005	Oldknow	
D510,395 S *	10/2005	Miraflor	D21/759
D514,181 S	1/2006	Cameron	
D519,180 S	4/2006	Oldknow	
D529,564 S *	10/2006	Grace	D21/759
D552,702 S	10/2007	Cameron	
D570,944 S	6/2008	Oldknow et al.	
D571,885 S	6/2008	Stites et al.	
D574,456 S *	8/2008	Chen	D21/759
D575,368 S *	8/2008	Oldknow	D21/759
D577,085 S	9/2008	Nicolette et al.	
D588,657 S	3/2009	Hettinger et al.	
D588,658 S	3/2009	De La Cruz et al.	

D599,423 S	9/2009	Serrano et al.	
D603,007 S	10/2009	Franklin	
D604,782 S	11/2009	Franklin	
D622,335 S	8/2010	Hilton et al.	
D624,978 S	10/2010	Rollinson	
D634,381 S	3/2011	Cardani	
D639,366 S	6/2011	Reinberg	
D639,368 S	6/2011	Reinberg	
D641,441 S	7/2011	Hilton et al.	
D641,442 S	7/2011	Rollinson	
D642,643 S *	8/2011	Nicolette	D21/759
D648,407 S *	11/2011	Teramoto	D21/743
D650,454 S	12/2011	Rollinson	

(Continued)

**OTHER PUBLICATIONS**

Edwin Watts Golf Catalog, Spring 2010; pp. 7, published Spring 2010.

(Continued)

*Primary Examiner* — Mitchell Siegel

(74) *Attorney, Agent, or Firm* — Banner & Witcoff, Ltd.

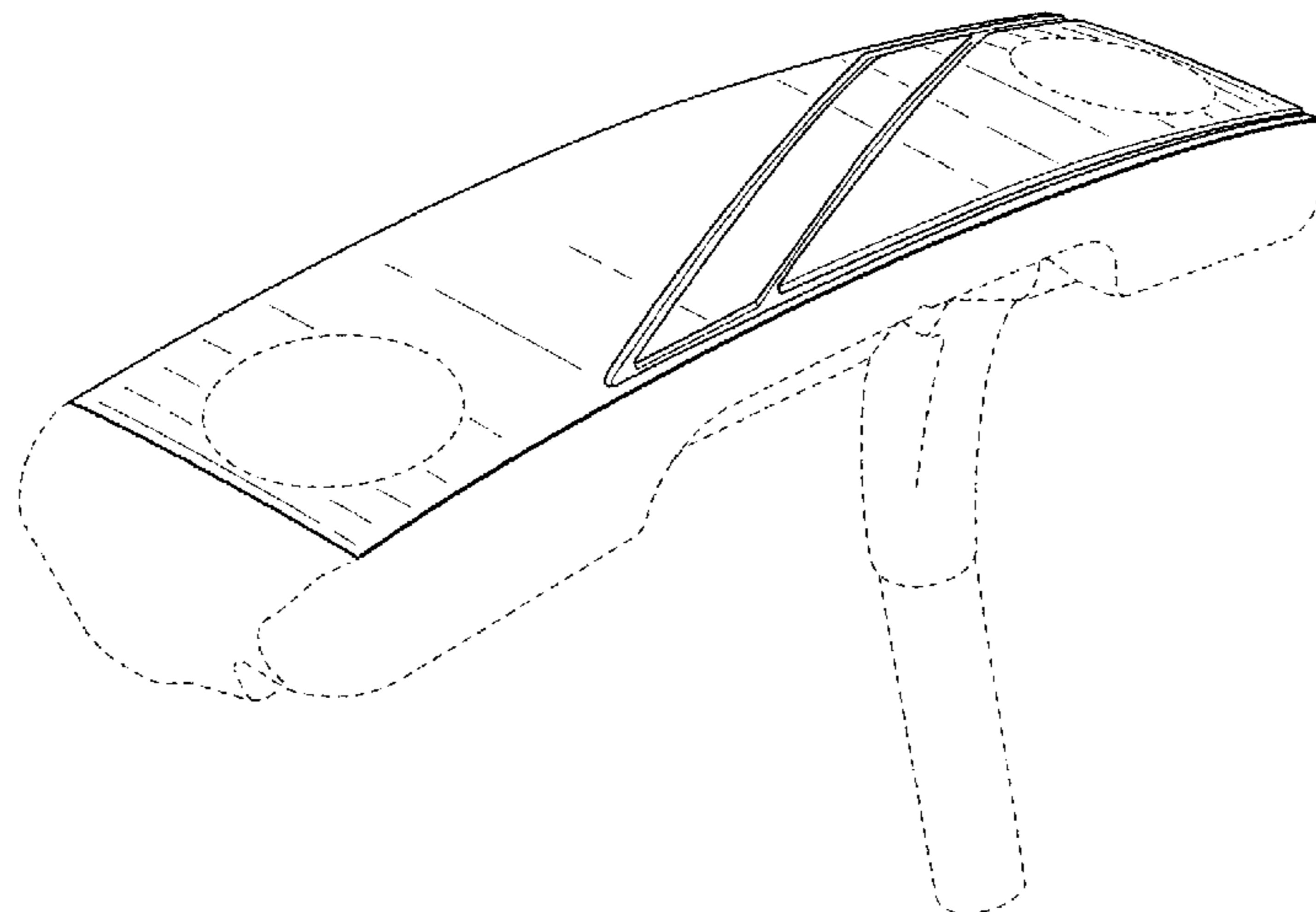
(57) **CLAIM**

The ornamental design for a golf club head for a putter, as shown and described.

**DESCRIPTION**

FIG. 1 is a bottom perspective view of a golf club head for a putter showing my new design;  
FIG. 2 is a front view thereof;  
FIG. 3 is a rear view thereof;  
FIG. 4 is a toe end view thereof;  
FIG. 5 is a heel end view thereof;  
FIG. 6 is a top view thereof; and,  
FIG. 7 is a bottom view thereof.  
The broken lines showing the remainder of the golf club are for environmental purposes only and form no part of the claimed design.

**1 Claim, 4 Drawing Sheets**



# US D763,992 S

Page 2

---

(56)

## References Cited

### U.S. PATENT DOCUMENTS

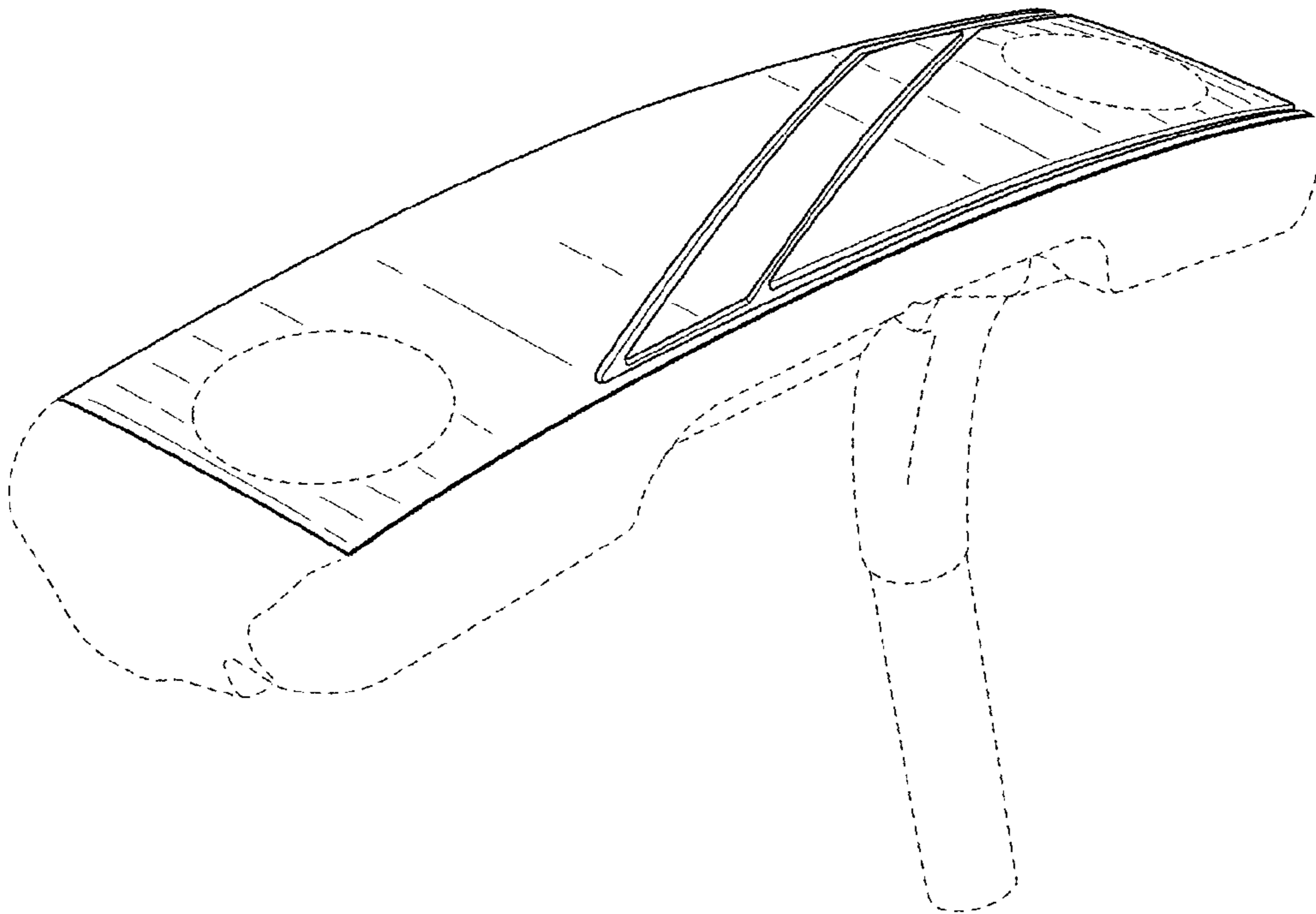
D661,754 S \* 6/2012 Cameron ..... D21/759  
D688,339 S 8/2013 Hilton et al.  
D688,761 S 8/2013 Hilton et al.  
D690,378 S 9/2013 Rollinson  
D691,225 S 10/2013 Hilton et al.  
D707,771 S \* 6/2014 Cameron ..... D21/759

D715,388 S 10/2014 Serrano et al.  
D730,465 S \* 5/2015 Cameron ..... D21/759  
2010/0323807 A1 12/2010 Rha

### OTHER PUBLICATIONS

Golfsmith Catalog, Spring 2010; pp. 25, published Spring 2010.  
Golfsmith Catalog, Spring 2010; pp. 34, published Spring 2010.  
Golfsmith Catalog, Spring 2010; pp. 29, published Spring 2010.

\* cited by examiner



**FIG. 1**

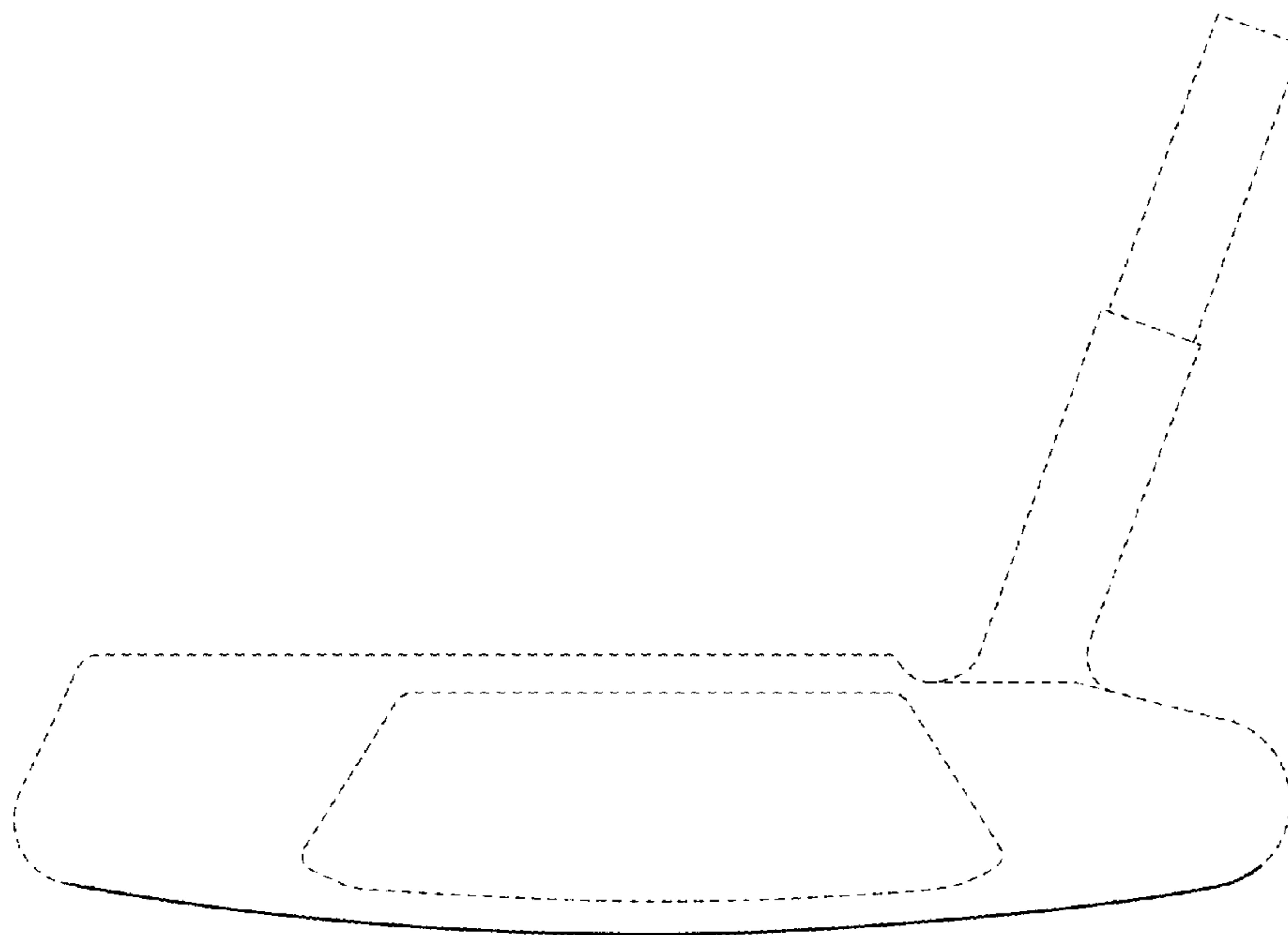


FIG. 2

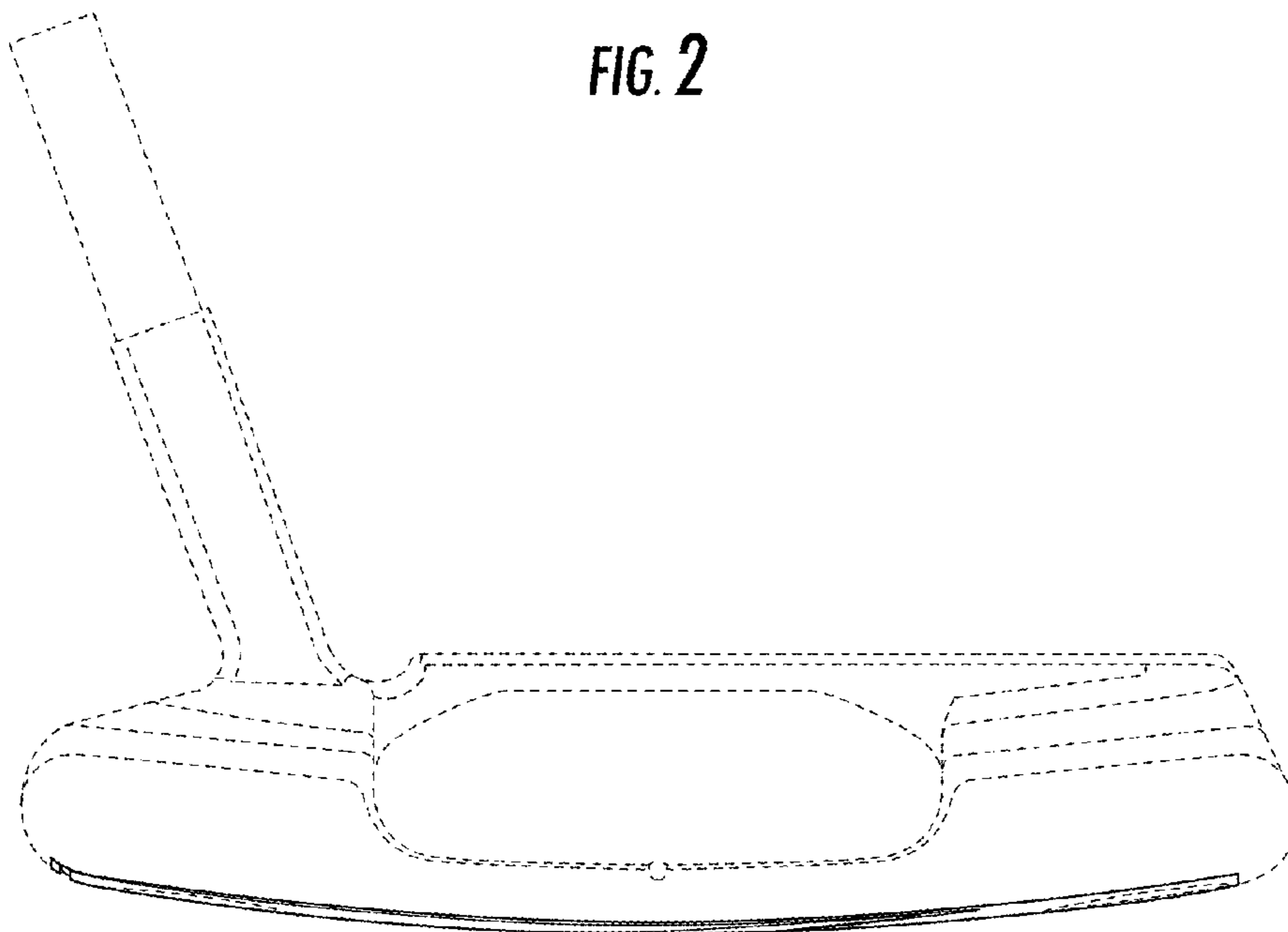
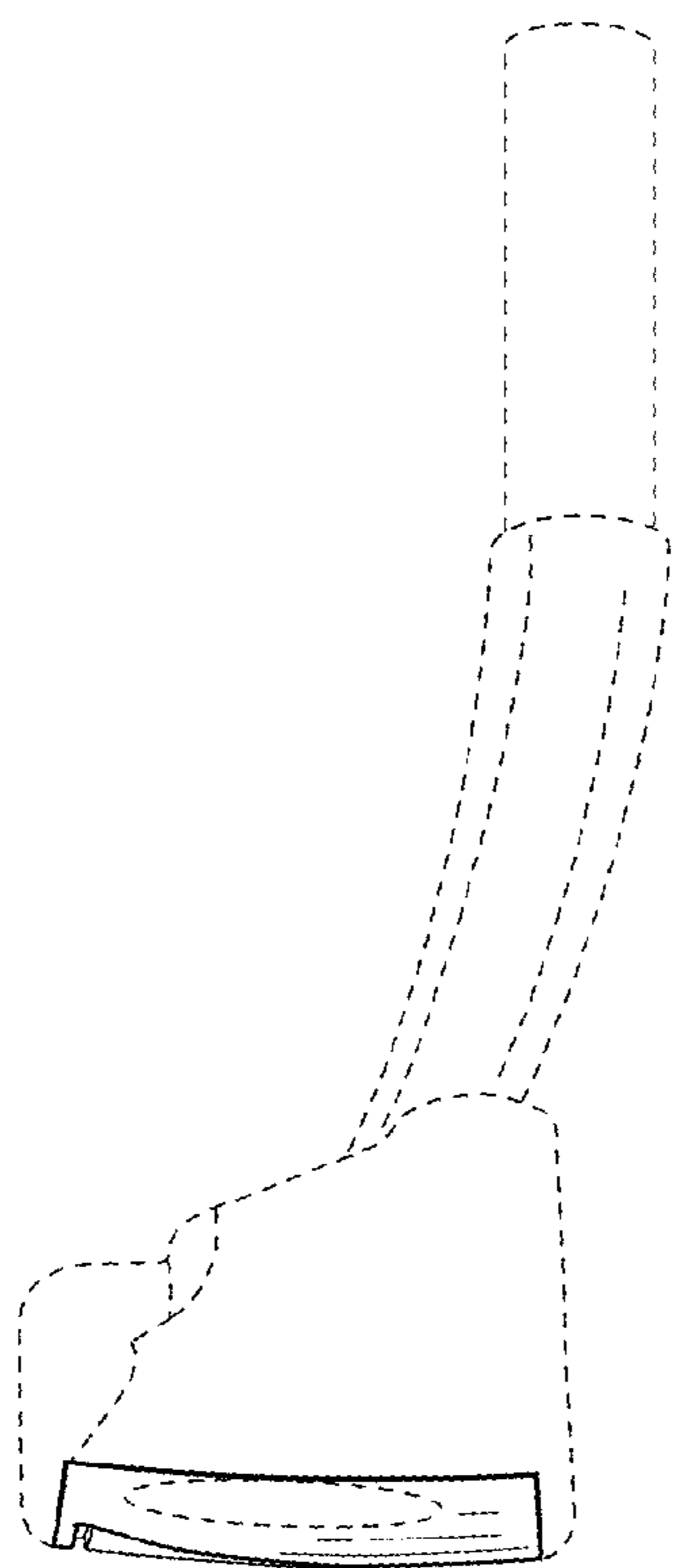
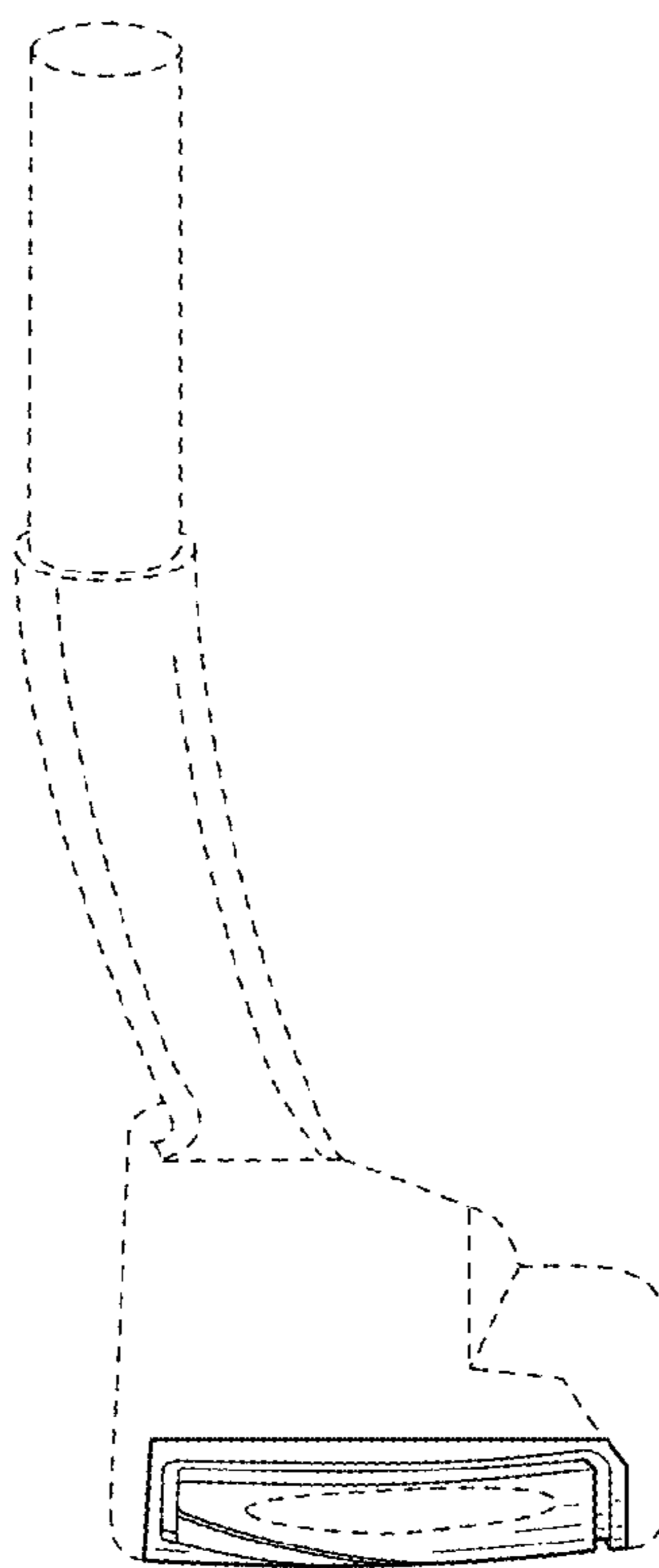


FIG. 3



**FIG. 4**



**FIG. 5**

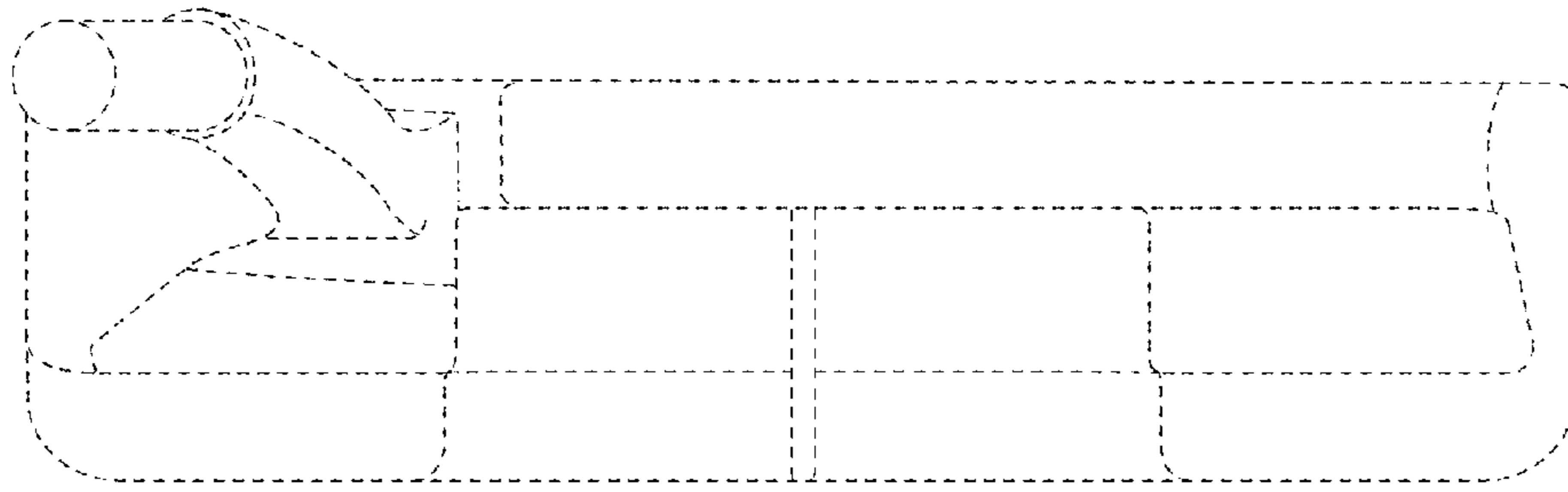


FIG. 6

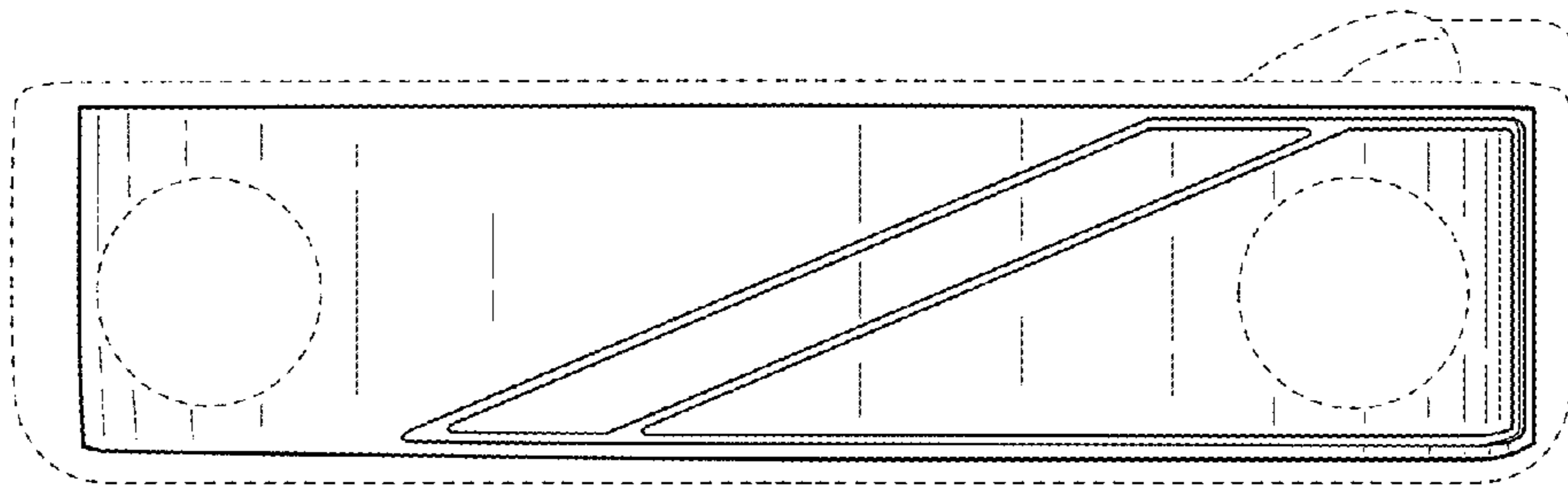


FIG. 7