



US00D763990S

(12) **United States Design Patent**  
**Cardani**

(10) **Patent No.:** **US D763,990 S**

(45) **Date of Patent:** **\*\* Aug. 16, 2016**

(54) **GOLF CLUB HEAD FOR A PUTTER**

(71) Applicant: **NIKE, Inc.**, Beaverton, OR (US)

(72) Inventor: **Jason Cardani**, Portland, OR (US)

(73) Assignee: **NIKE, Inc.**, Beaverton, OR (US)

(\*\*) Term: **14 Years**

(21) Appl. No.: **29/525,363**

(22) Filed: **Apr. 29, 2015**

(51) **LOC (10) Cl.** ..... **21-02**

(52) **U.S. Cl.**  
USPC ..... **D21/759**

(58) **Field of Classification Search**  
USPC ..... D21/736-746, 759, 752  
CPC ..... A63B 53/00; A63B 53/04; A63B 53/007;  
A63B 53/065; A63B 53/0487  
See application file for complete search history.

(56) **References Cited**

**U.S. PATENT DOCUMENTS**

D350,177 S *	8/1994	Ramirez	.....	D21/745
D510,395 S *	10/2005	Miraflor	.....	D21/759
D529,564 S *	10/2006	Grace	.....	D21/759
D532,845 S *	11/2006	Rollinson	.....	D21/736
D534,974 S	1/2007	Haack		
D536,400 S	2/2007	DiBattista, Sr.		
D551,310 S	9/2007	Kuan et al.		
D564,607 S	3/2008	Oldknow et al.		
D568,954 S *	5/2008	Oldknow	.....	D21/759
7,390,267 B2	6/2008	Grace		
D573,673 S *	7/2008	Noyes	.....	D21/721
D574,456 S *	8/2008	Chen	.....	D21/759
D574,908 S *	8/2008	Hettinger	.....	D21/743
D577,398 S	9/2008	Hilton		
D582,497 S *	12/2008	Rollinson	.....	D21/744
D585,511 S *	1/2009	Cameron	.....	D21/743
D589,575 S *	3/2009	Kim	.....	D21/744
D590,034 S	4/2009	Foster et al.		
D590,035 S	4/2009	Hilton		

D590,461 S	4/2009	Kim et al.		
D591,371 S	4/2009	Hilton		
D591,807 S *	5/2009	Rollinson	.....	D21/744
D595,373 S *	6/2009	Kim	.....	D21/744
D603,006 S	10/2009	Foster et al.		
D621,458 S *	8/2010	Serrano	.....	D21/736
D633,970 S	3/2011	Cardani		
D636,829 S	4/2011	Cardani		
D636,830 S	4/2011	Cardani		
D642,643 S *	8/2011	Nicolette	.....	D21/759
D648,407 S *	11/2011	Teramoto	.....	D21/743
D658,245 S	4/2012	Oldknow et al.		
D661,754 S *	6/2012	Cameron	.....	D21/759

(Continued)

**OTHER PUBLICATIONS**

Edwin Watts Golf Catalog, Spring 2010; pp. 7, published Spring 2010.

(Continued)

*Primary Examiner* — Mitchell Siegel

(74) *Attorney, Agent, or Firm* — Banner & Witcoff, Ltd.

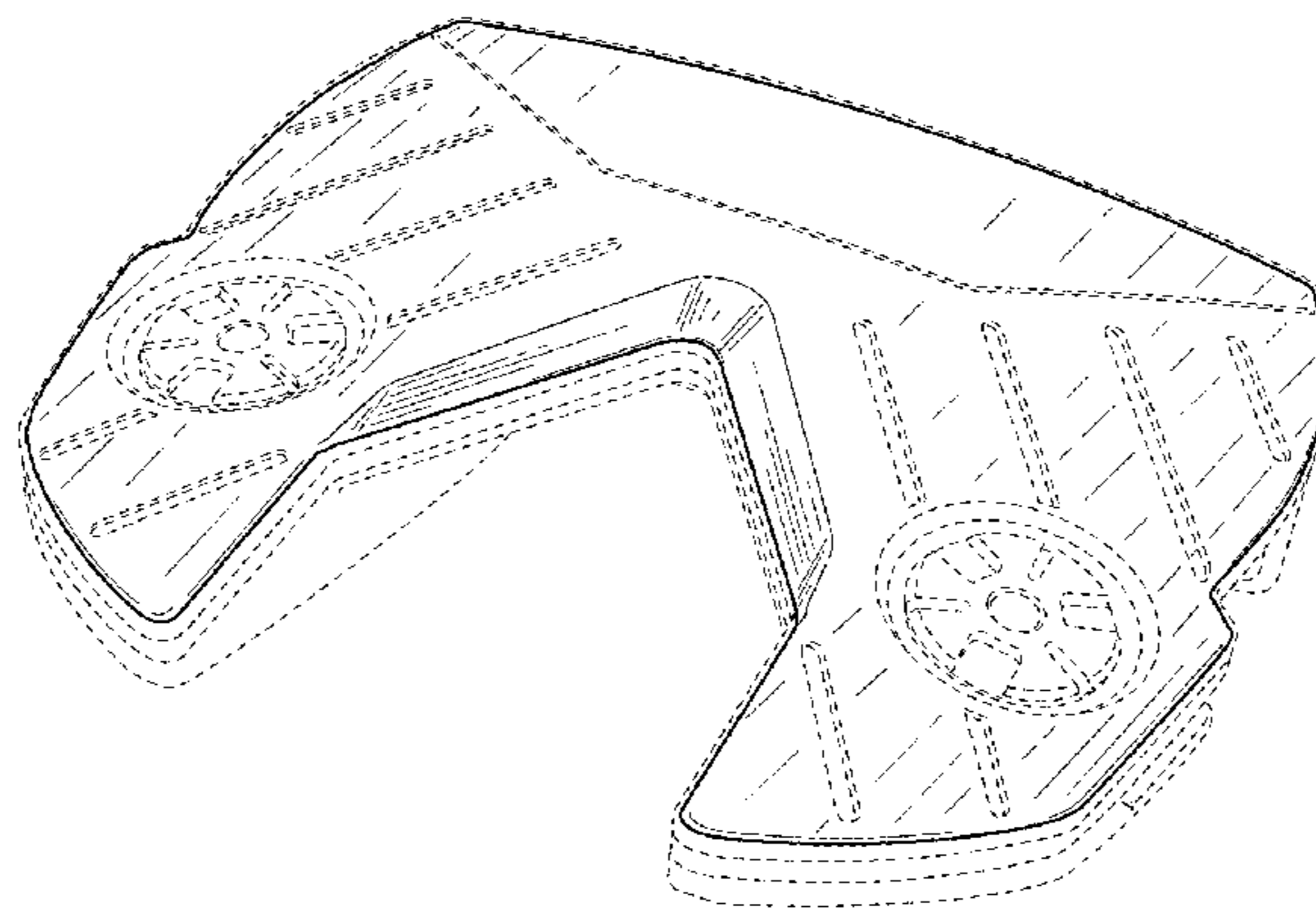
(57) **CLAIM**

The ornamental design for a golf club head for a putter, as shown and described.

**DESCRIPTION**

FIG. 1 is a bottom perspective view of a golf club head for a putter showing my new design; FIG. 2 is a bottom view thereof; FIG. 3 is a rear view thereof; FIG. 4 is a front view thereof; FIG. 5 is a toe end view thereof; and, FIG. 6 is a heel end view thereof. The unshaded regions within the shaded area form no part of the claimed design. The broken lines showing the remainder of the golf club are for environmental purposes only and form no part of the claimed design.

**1 Claim, 4 Drawing Sheets**



(56)

**References Cited**

U.S. PATENT DOCUMENTS

D670,774 S 11/2012 Seiff  
D673,630 S \* 1/2013 Schweigert ..... D21/752  
D673,632 S \* 1/2013 Schweigert ..... D21/759  
D680,179 S \* 4/2013 Solheim ..... D21/752  
D688,341 S \* 8/2013 Rollinson ..... D21/746  
D691,226 S \* 10/2013 Hilton ..... D21/746  
D696,739 S \* 12/2013 Stokke ..... D21/759  
8,608,587 B2 \* 12/2013 Henrikson ..... A63B 53/0466  
473/324  
D701,274 S 3/2014 Rollinson  
D704,782 S \* 5/2014 Rollinson ..... D21/736

D707,771 S \* 6/2014 Cameron ..... D21/759  
D714,894 S \* 10/2014 Tang ..... D21/759  
D719,622 S 12/2014 Rollinson et al.  
D720,418 S \* 12/2014 Chen ..... D21/759  
D728,715 S \* 5/2015 Cameron ..... D21/736  
D730,464 S \* 5/2015 Cameron ..... D21/743  
D730,465 S \* 5/2015 Cameron ..... D21/759

OTHER PUBLICATIONS

Golfsmith Catalog, Spring 2010; pp. 25, published Spring 2010.  
Golfsmith Catalog, Spring 2010; pp. 34, published Spring 2010.  
Golfsmith Catalog, Spring 2010; pp. 29, published Spring 2010.

\* cited by examiner

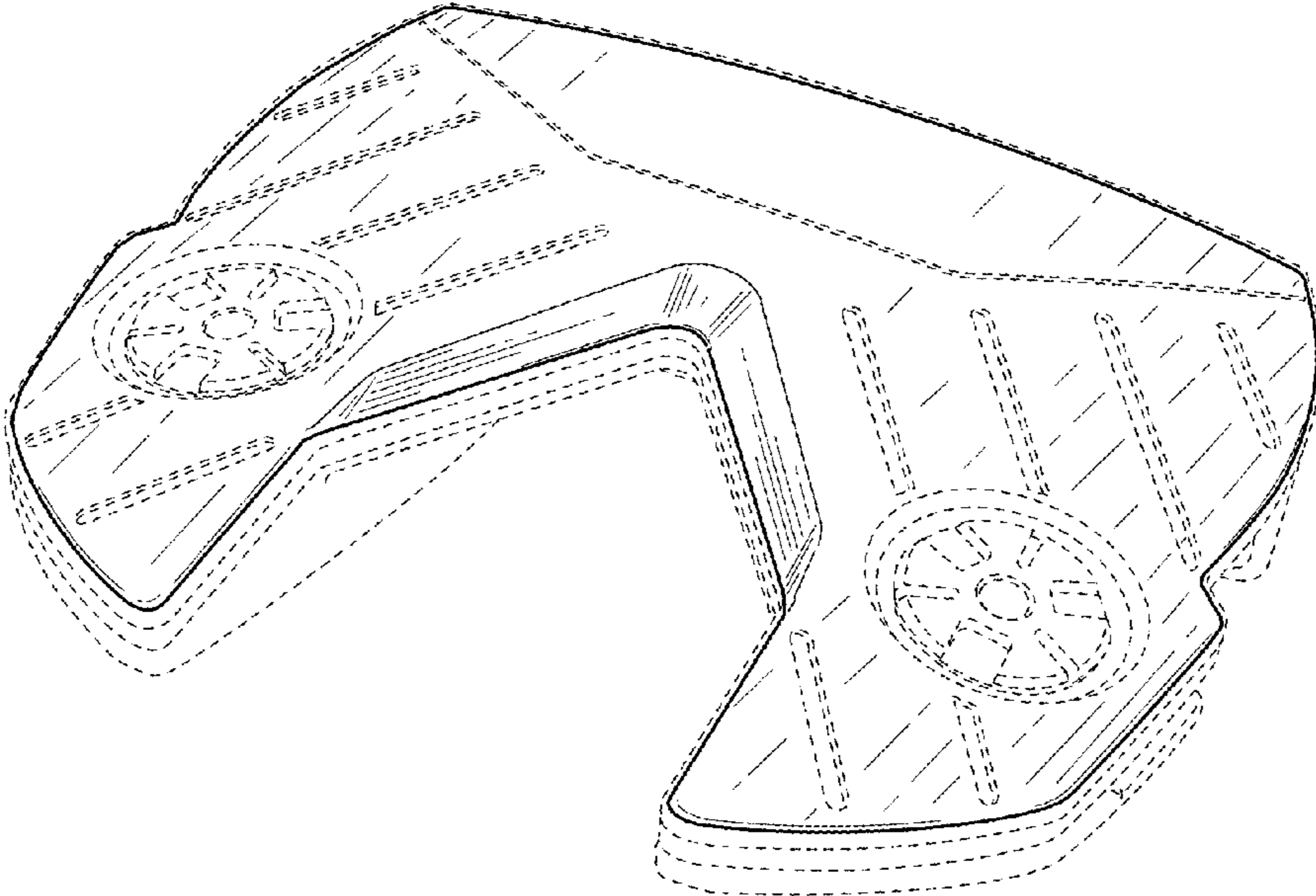


FIG. 1

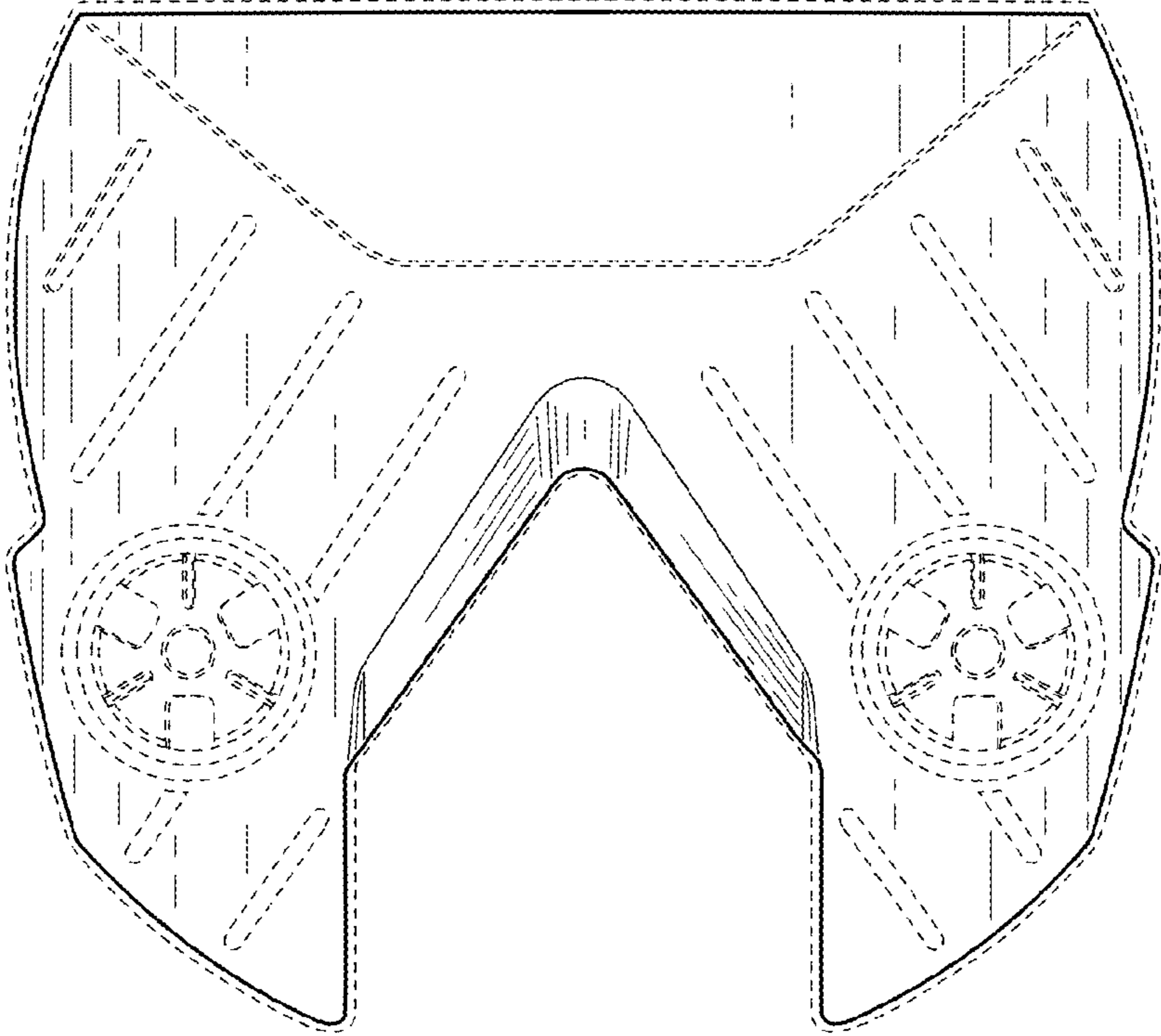


FIG. 2

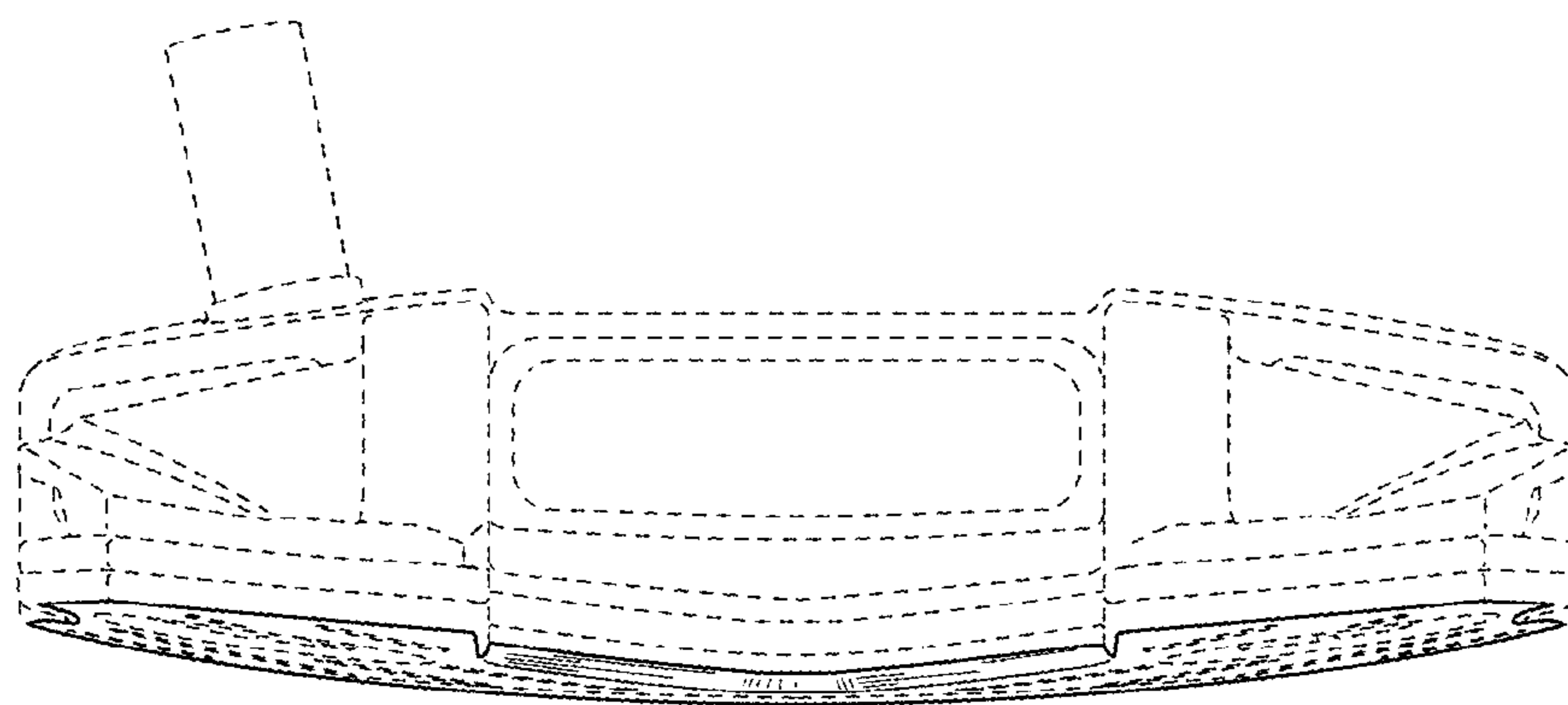


FIG. 3

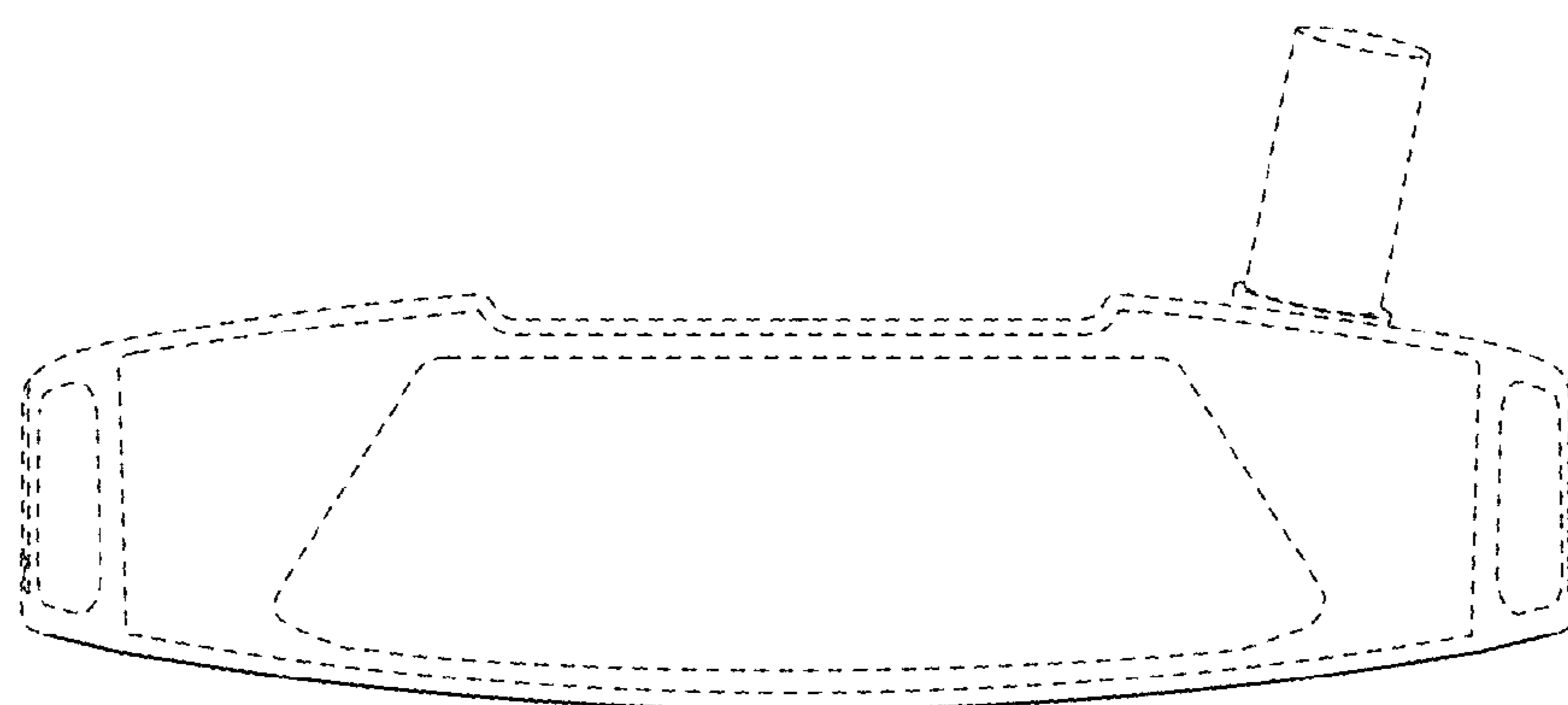


FIG. 4

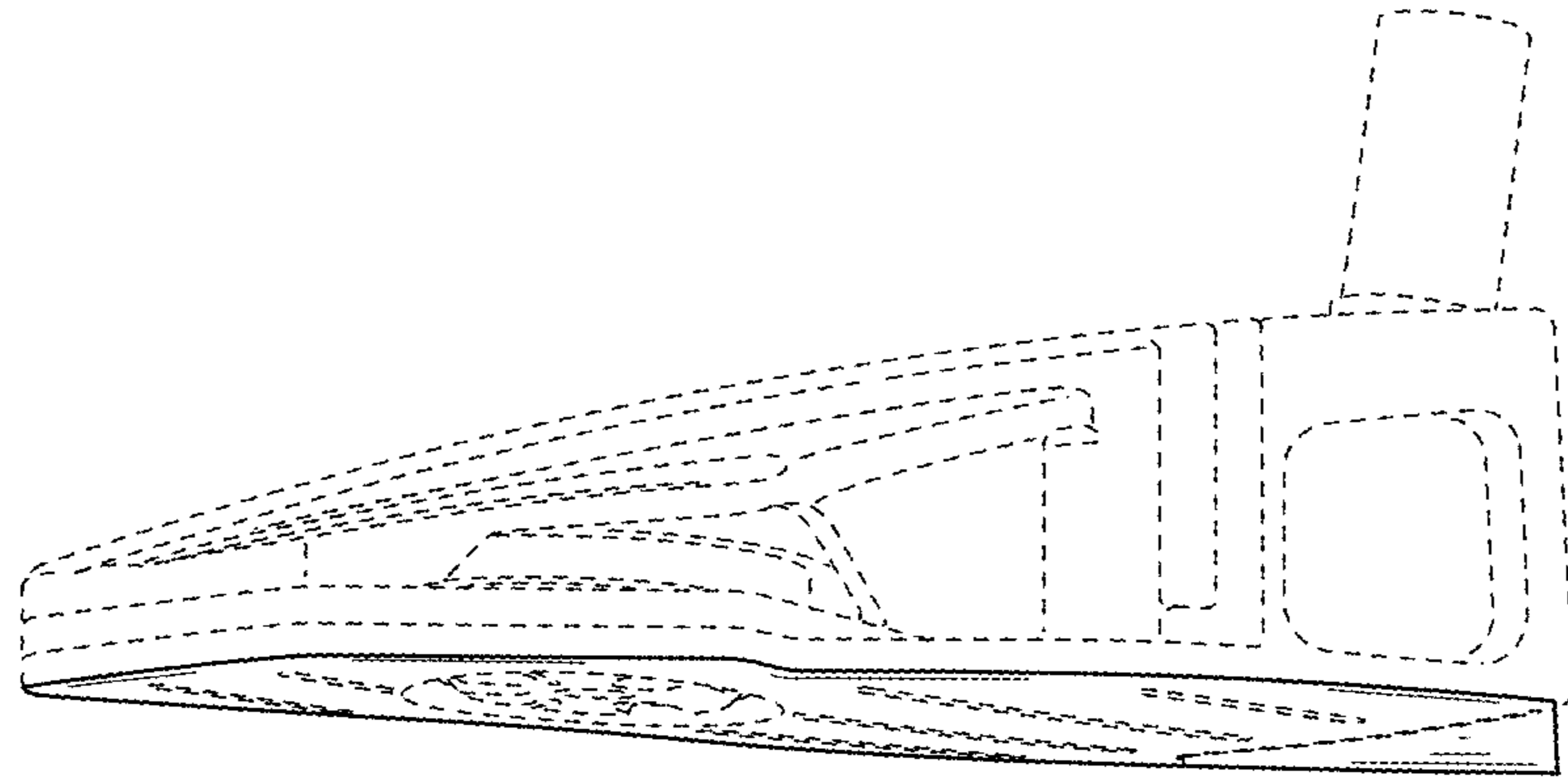


FIG. 5

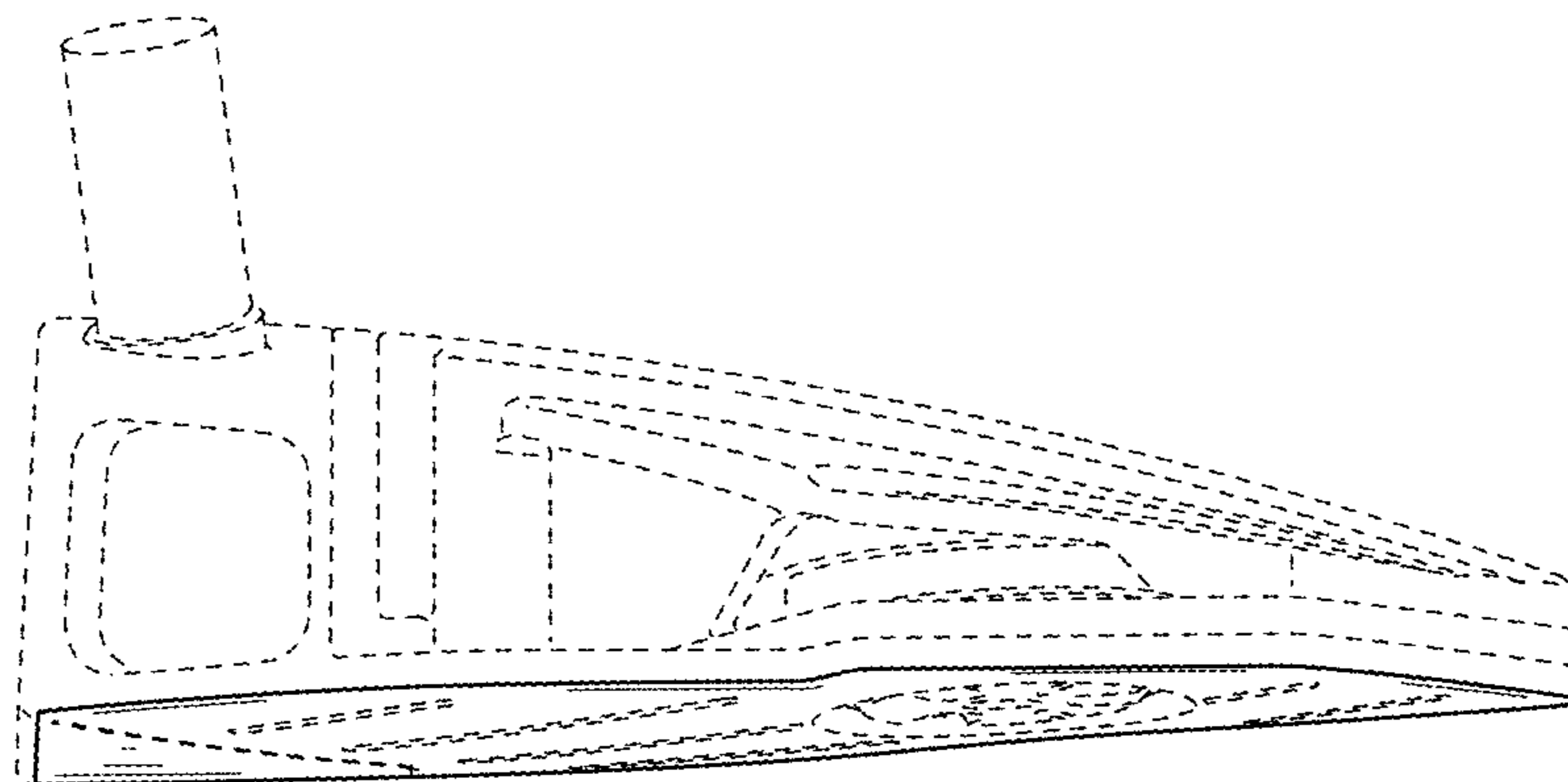


FIG. 6