

US00D763989S

(12) **United States Design Patent**
Cardani

(10) **Patent No.:** **US D763,989 S**

(45) **Date of Patent:** **** Aug. 16, 2016**

(54) **GOLF CLUB HEAD FOR A PUTTER**

(71) Applicant: **NIKE, Inc.**, Beaverton, OR (US)

(72) Inventor: **Jason Cardani**, Portland, OR (US)

(73) Assignee: **NIKE, Inc.**, Beaverton, OR (US)

(**) Term: **14 Years**

(21) Appl. No.: **29/525,361**

(22) Filed: **Apr. 29, 2015**

(51) **LOC (10) Cl.** **21-02**

(52) **U.S. Cl.**
USPC **D21/759**

(58) **Field of Classification Search**
USPC D21/736-746, 759
CPC A63B 53/00; A63B 53/04; A63B 53/007;
A63B 53/065; A63B 53/0487
See application file for complete search history.

(56) **References Cited**

U.S. PATENT DOCUMENTS

| | | | |
|--------------|---------|----------------|---------|
| D235,668 S | 7/1975 | Swash | |
| D396,083 S * | 7/1998 | Sheets | D21/742 |
| D399,911 S * | 10/1998 | Nicolette | D21/736 |
| D400,610 S * | 11/1998 | Cameron | D21/742 |
| D428,457 S * | 7/2000 | Rollinson | D21/743 |
| D496,418 S | 9/2004 | Tang et al. | |
| D515,647 S | 2/2006 | Morgulis | |
| D533,609 S | 12/2006 | Moore et al. | |
| D537,134 S | 2/2007 | Imamoto | |
| D538,364 S | 3/2007 | Frame et al. | |
| D542,873 S | 5/2007 | Oldknow | |
| D564,606 S | 3/2008 | Oldknow et al. | |
| D571,879 S | 6/2008 | Jones et al. | |
| D571,886 S | 6/2008 | Stites et al. | |
| D572,331 S | 7/2008 | Oldknow et al. | |
| D574,907 S | 8/2008 | Jones et al. | |
| D587,326 S | 2/2009 | Ines et al. | |
| D587,771 S | 3/2009 | Kuan et al. | |
| D591,806 S | 5/2009 | Cameron | |

| | | | |
|--------------|---------|------------------|---------|
| D595,793 S | 7/2009 | Rollinson | |
| D603,006 S * | 10/2009 | Foster | D21/736 |
| D603,008 S | 10/2009 | Donahue | |
| D624,616 S | 9/2010 | Rife | |
| D629,476 S | 12/2010 | Serrano et al. | |
| D630,690 S | 1/2011 | Rollinson | |
| D634,381 S * | 3/2011 | Cardani | D21/736 |
| D635,625 S * | 4/2011 | Rollinson | D21/743 |
| D636,829 S | 4/2011 | Cardani | |
| D643,485 S | 8/2011 | Nicolette et al. | |
| D643,486 S | 8/2011 | Serrano et al. | |
| D643,487 S | 8/2011 | Serrano et al. | |

(Continued)

OTHER PUBLICATIONS

Edwin Watts Golf Catalog, Spring 2010; pp. 7, published Spring 2010.

(Continued)

Primary Examiner — Mitchell Siegel

(74) *Attorney, Agent, or Firm* — Banner & Witcoff, Ltd.

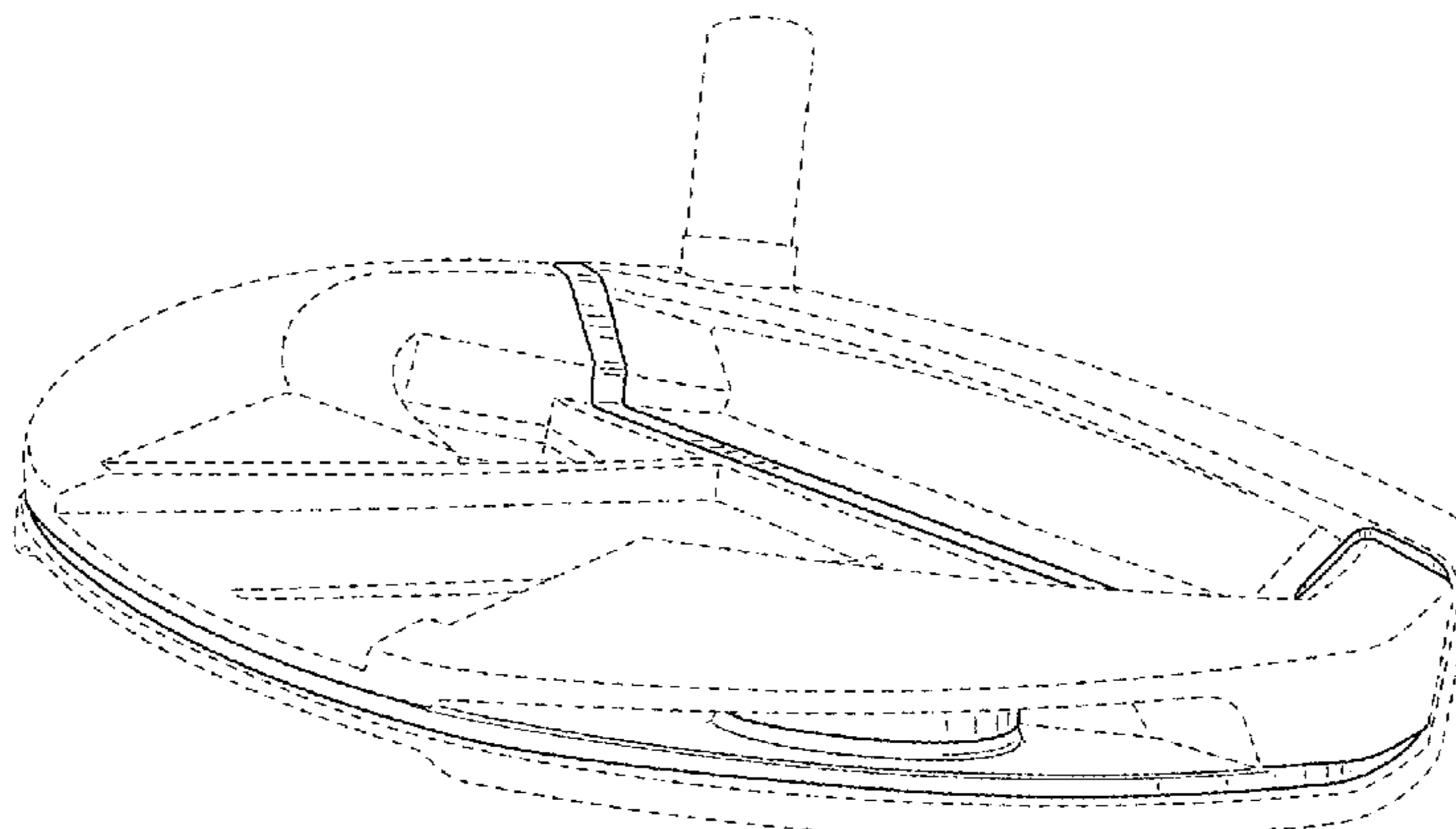
(57) **CLAIM**

The ornamental design for a golf club head for a putter, as shown and described.

DESCRIPTION

FIG. 1 is a top-rear perspective view of a golf club head for a putter showing my new design;
FIG. 2 is a heel perspective top view thereof;
FIG. 3 is a front view thereof
FIG. 4 is a rear view thereof;
FIG. 5 is a toe end view thereof;
FIG. 6 is a heel end view thereof;
FIG. 7 is a top view thereof; and,
FIG. 8 is a bottom view thereof.
The broken lines showing the remainder of the golf club are for environmental purposes only and form no part of the claimed design.

1 Claim, 5 Drawing Sheets



(56)

References Cited

U.S. PATENT DOCUMENTS

D644,703 S * 9/2011 Serrano D21/743
D661,754 S 6/2012 Cameron et al.
D707,771 S 6/2014 Cameron
D720,022 S * 12/2014 Rollinson D21/736
D720,023 S * 12/2014 Rollinson D21/736
D720,024 S * 12/2014 Rollinson D21/736
D720,411 S * 12/2014 Rollinson D21/743
D720,412 S * 12/2014 Rollinson D21/743

D730,465 S 5/2015 Cameron
2013/0203522 A1 8/2013 Franklin et al.
2015/0080147 A1 3/2015 Cameron
2015/0080148 A1 3/2015 Cameron

OTHER PUBLICATIONS

Golfsmith Catalog, Spring 2010; pp. 25, published Spring 2010.
Golfsmith Catalog, Spring 2010; pp. 34, published Spring 2010.
Golfsmith Catalog, Spring 2010; pp. 29, published Spring 2010.

* cited by examiner

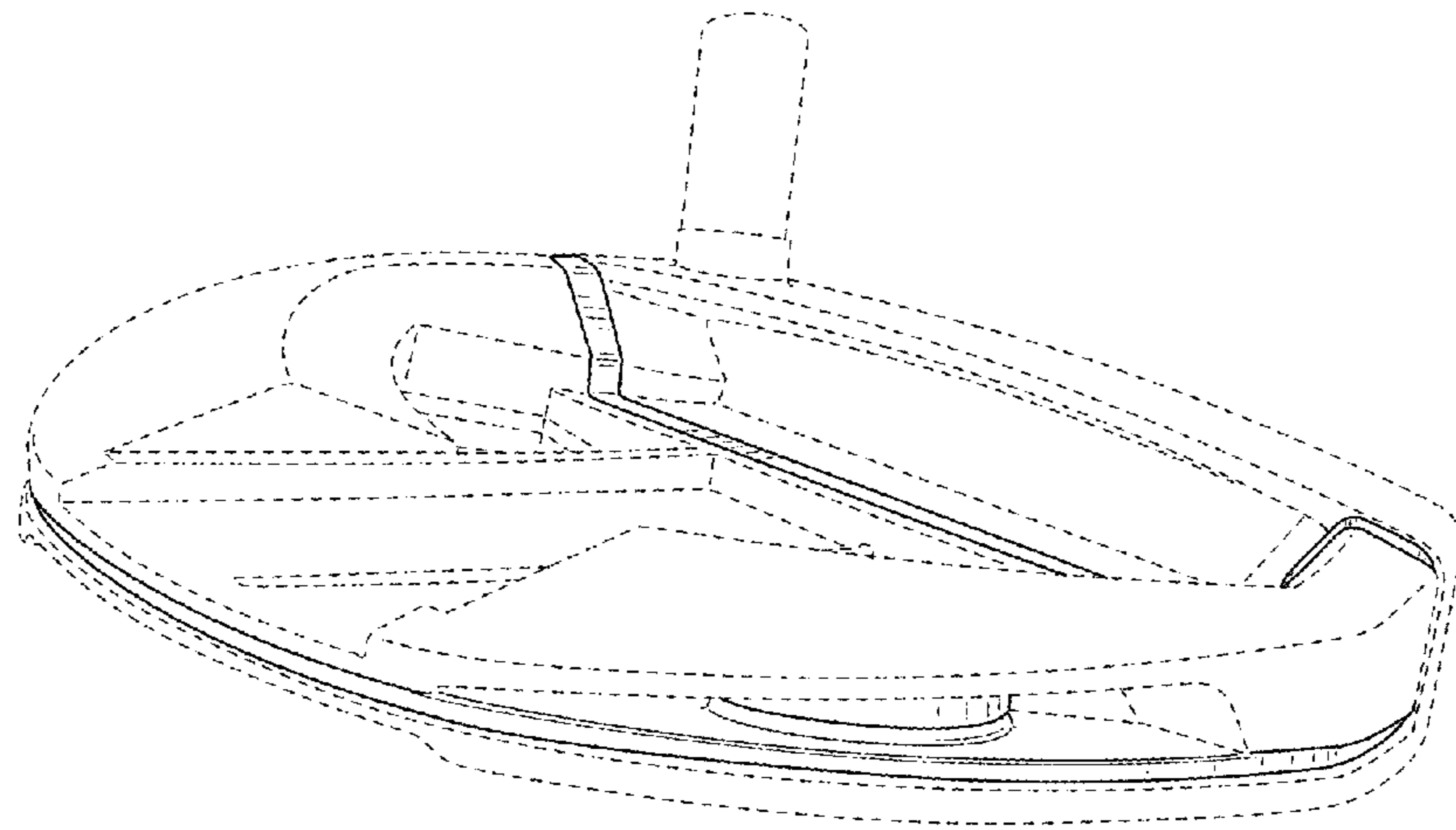


FIG. 1

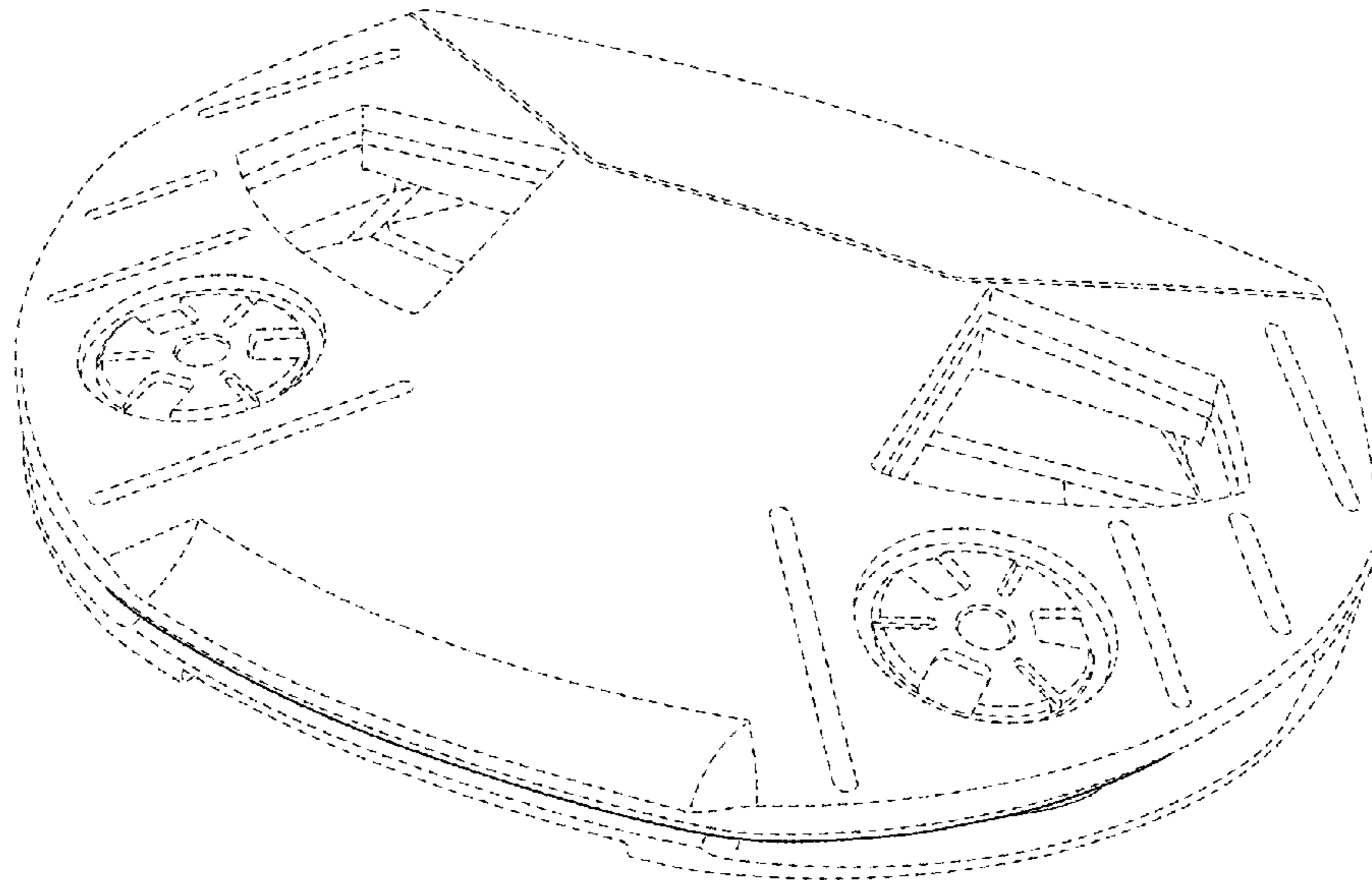


FIG. 2

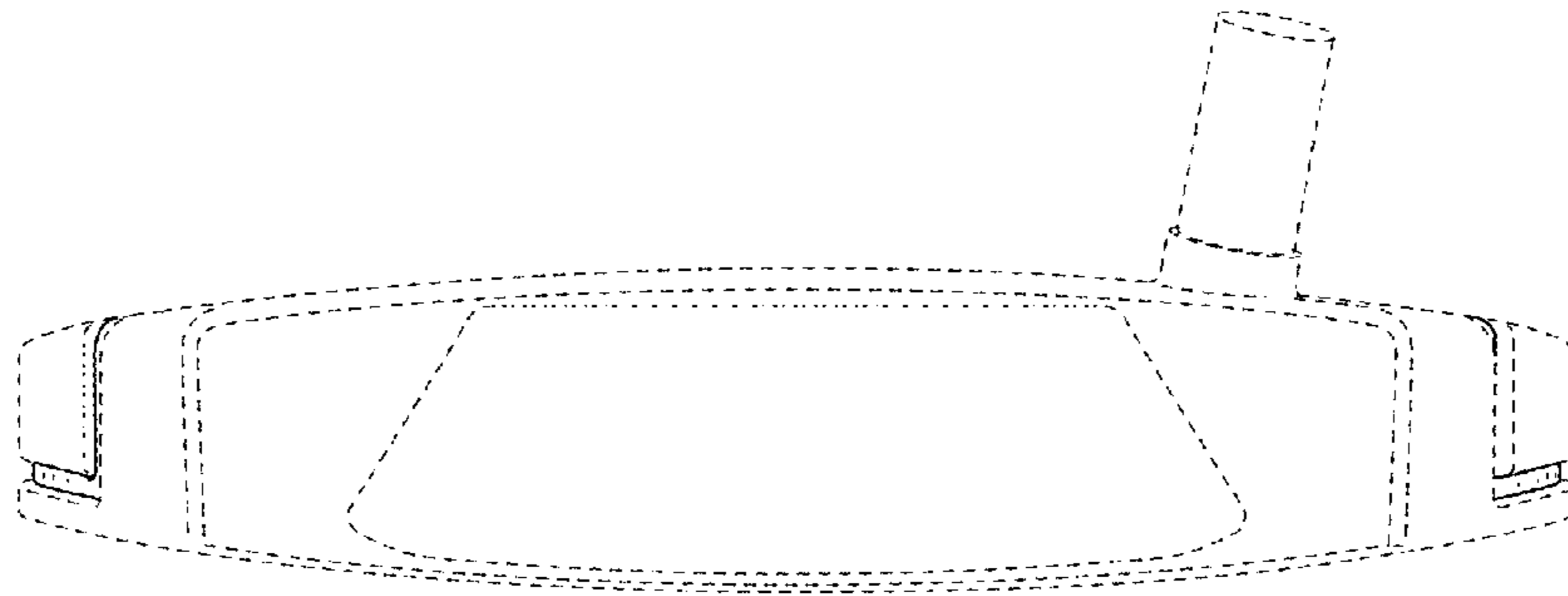


FIG. 3

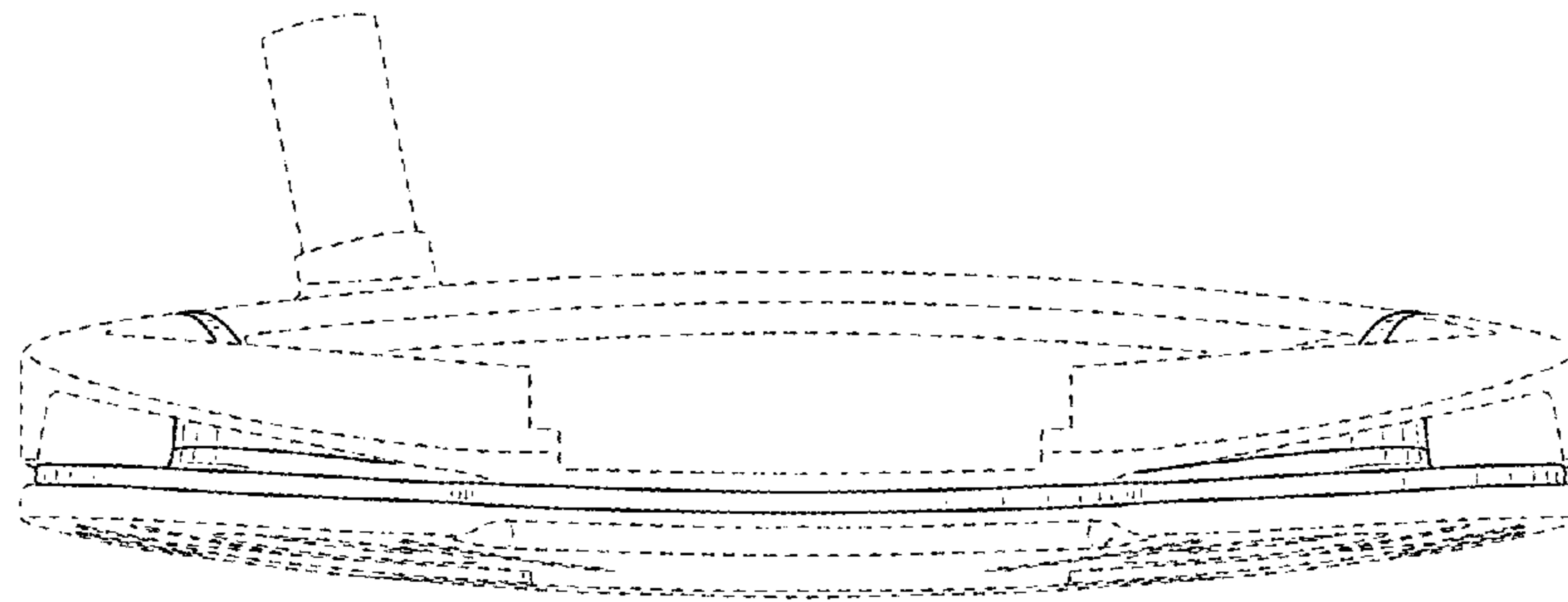


FIG. 4

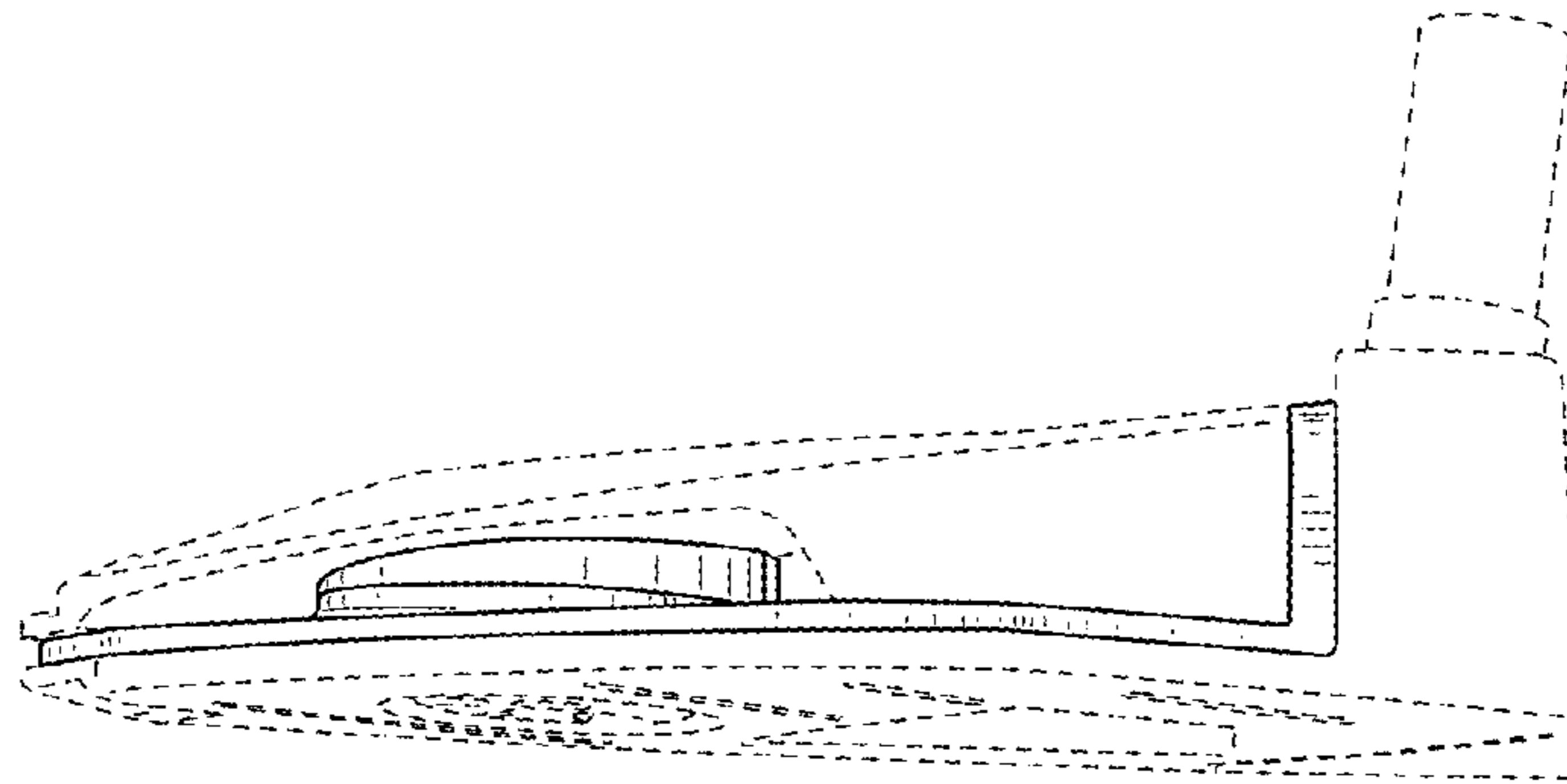


FIG. 5

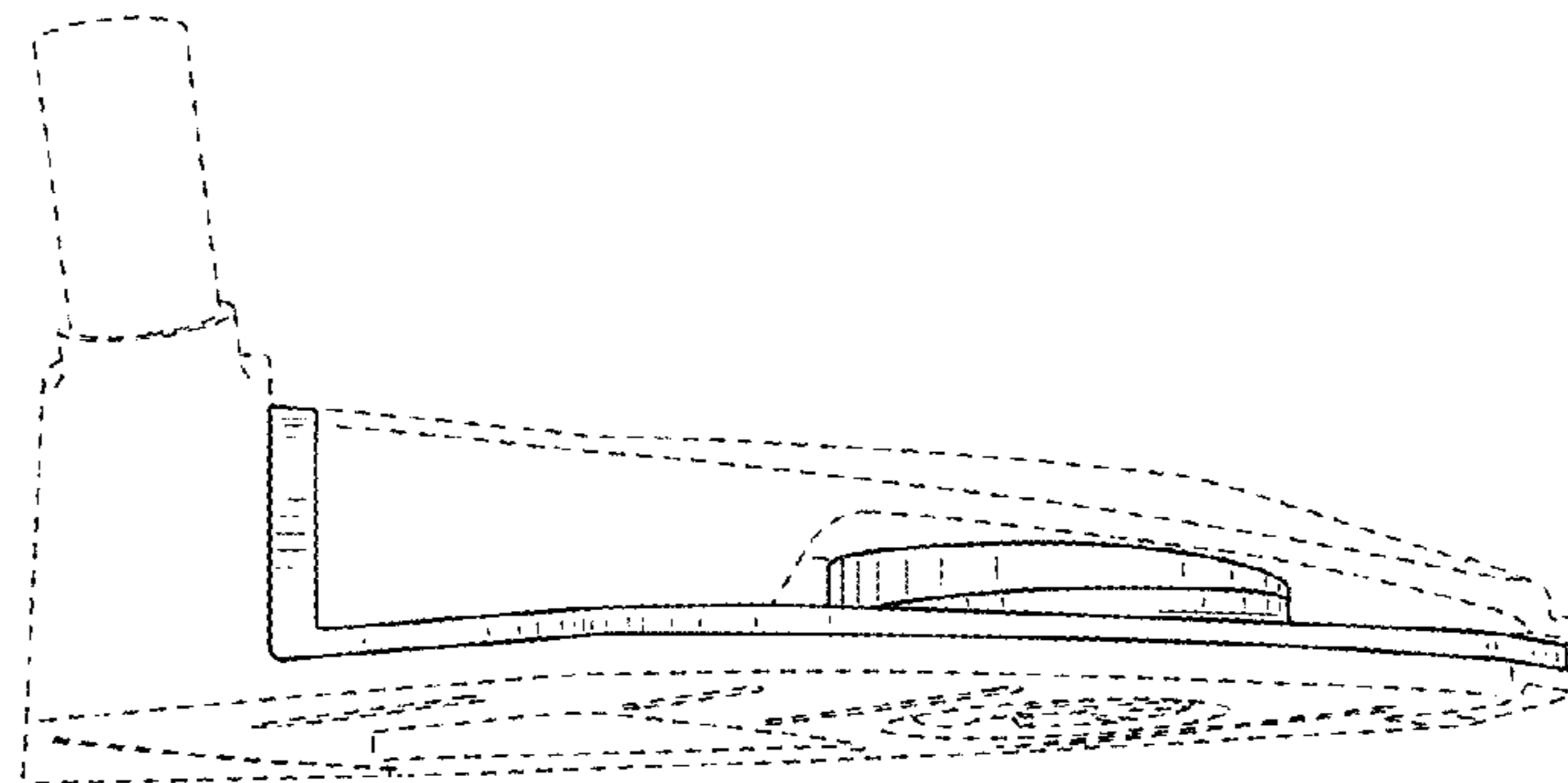


FIG. 6

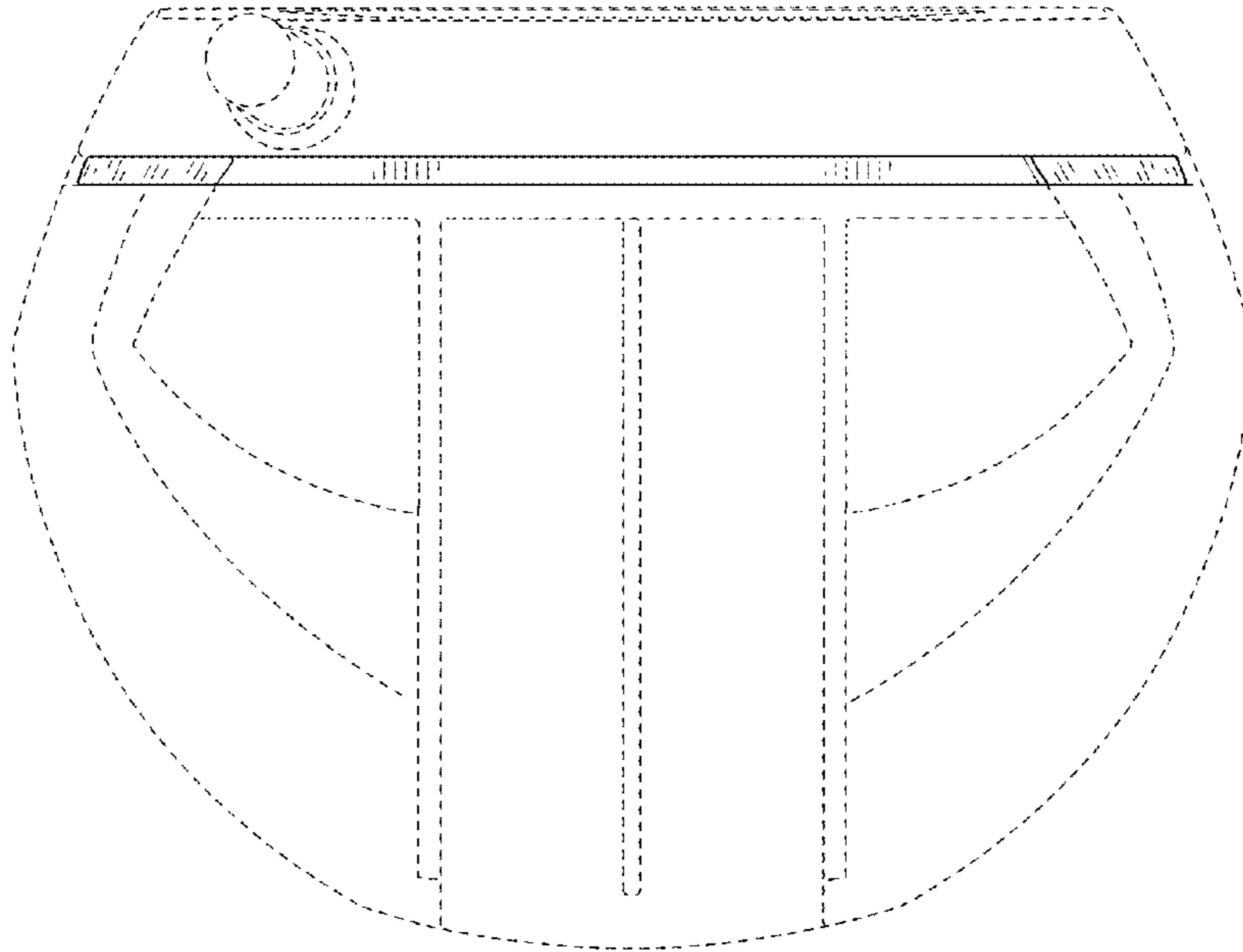


FIG. 7

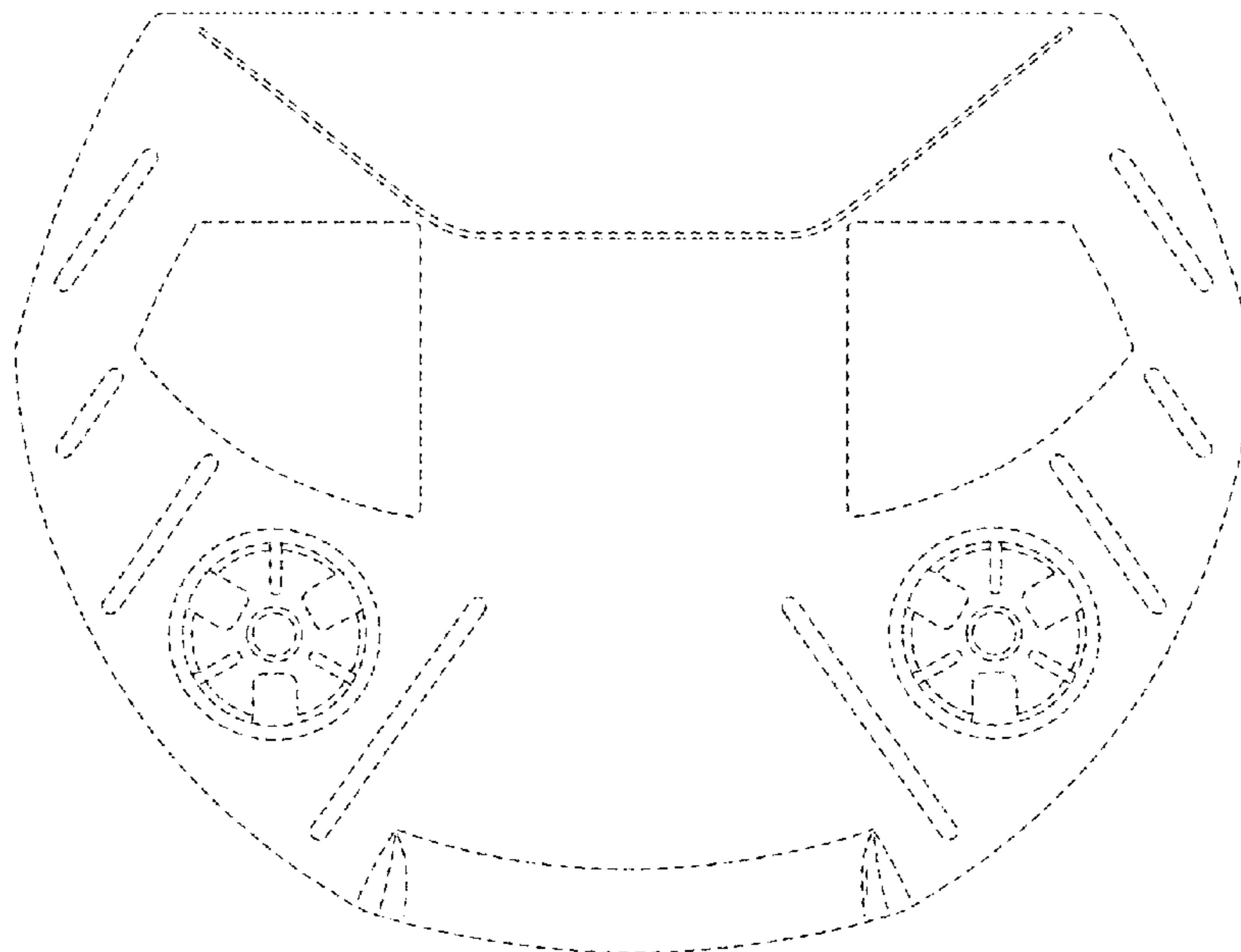


FIG. 8