



US00D763986S

(12) **United States Design Patent**  
**Cardani et al.**

(10) **Patent No.:** **US D763,986 S**  
(45) **Date of Patent:** **\*\* Aug. 16, 2016**

- (54) **GOLF CLUB HEAD**
- (71) Applicant: **NIKE, Inc.**, Beaverton, OR (US)
- (72) Inventors: **Jason Cardani**, Portland, OR (US);  
**Andrew G. V. Oldknow**, Beaverton, OR (US)
- (73) Assignee: **NIKE, Inc.**, Beaverton, OR (US)
- (\*\*) Term: **14 Years**
- (21) Appl. No.: **29/525,179**
- (22) Filed: **Apr. 28, 2015**
- (51) **LOC (10) Cl.** ..... **21-02**
- (52) **U.S. Cl.**  
USPC ..... **D21/759**
- (58) **Field of Classification Search**  
USPC ..... D21/747-751, 759  
CPC .. A63B 53/04; A63B 53/047; A63B 53/0475;  
A63B 53/00  
See application file for complete search history.

(56) **References Cited**

**U.S. PATENT DOCUMENTS**

- D428,634 S 7/2000 Nagai et al.
- D428,635 S 7/2000 Nagai et al.
- D442,245 S \* 5/2001 Roach ..... D21/759
- D466,961 S 12/2002 Nagai et al.
- D475,107 S 5/2003 Madore
- D508,722 S 8/2005 Iwata et al.
- D512,474 S 12/2005 Madore
- D573,677 S 7/2008 Kadoya
- D588,667 S 3/2009 Oldknow
- D596,684 S 7/2009 Sutovsky et al.
- D597,157 S 7/2009 Wallin et al.
- D601,215 S 9/2009 Diaz et al.
- D601,651 S \* 10/2009 Jorgensen ..... D21/759
- D602,103 S \* 10/2009 Jorgensen ..... D21/747
- D621,893 S \* 8/2010 Nicolette ..... D21/759
- D622,344 S 8/2010 Oldknow et al.
- D622,345 S 8/2010 Oldknow et al.

- D631,110 S 1/2011 Kim et al.
- D635,627 S \* 4/2011 Nicolette ..... D21/759
- D641,446 S \* 7/2011 Engel ..... D21/759
- D641,447 S \* 7/2011 Engel ..... D21/759
- D666,261 S 8/2012 Roach et al.
- D670,779 S 11/2012 Oldknow et al.
- D684,228 S 6/2013 Breier et al.
- D685,041 S 6/2013 Stokke et al.
- D691,684 S 10/2013 Cyrulik et al.
- D691,685 S 10/2013 Cyrulik et al.
- 8,657,700 B2 \* 2/2014 Nicolette ..... A63B 53/047  
473/290
- D704,290 S 5/2014 Cardani et al.
- D709,576 S \* 7/2014 Oldknow ..... D21/759
- D709,974 S \* 7/2014 Oldknow ..... D21/759
- D716,390 S 10/2014 Wieland et al.
- D720,027 S 12/2014 Voshall et al.

(Continued)

**OTHER PUBLICATIONS**

Edwin Watts Golf Catalog, Spring 2010; pp. 7, published Spring 2010.

(Continued)

*Primary Examiner* — Mitchell Siegel

(74) *Attorney, Agent, or Firm* — Banner & Witcoff, Ltd.

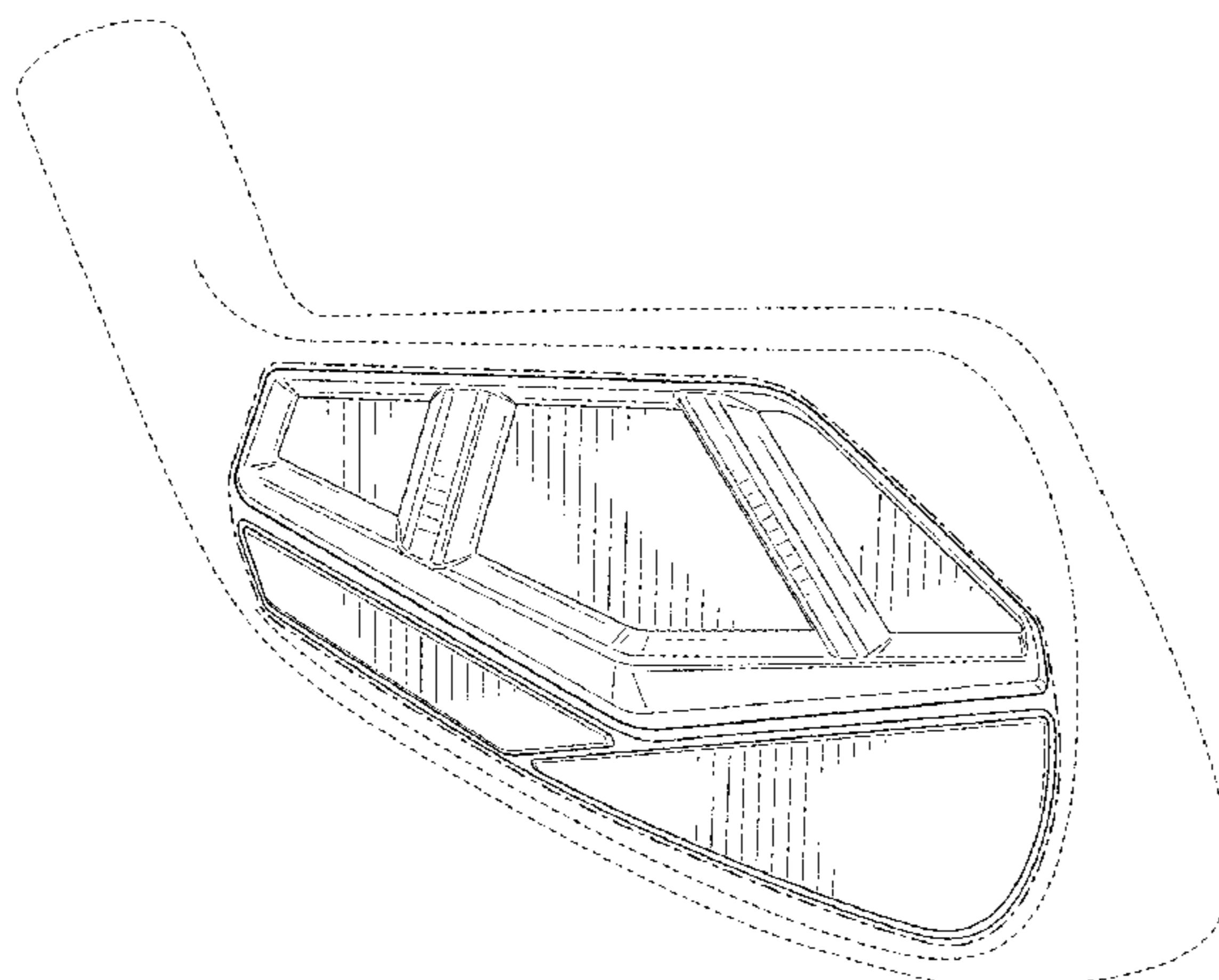
(57) **CLAIM**

The ornamental design for a golf club head, as shown and described.

**DESCRIPTION**

FIG. 1 is a perspective top view of a golf club head showing my new design;  
FIG. 2 is a rear view thereof; and,  
FIG. 3 is a heel end view thereof.  
The broken lines immediately adjacent to the shaded area represent unclaimed boundaries of the design. The broken lines showing the remainder of the golf club are for environmental purposes only and form no part of the claimed design.

**1 Claim, 2 Drawing Sheets**



(56)

**References Cited**

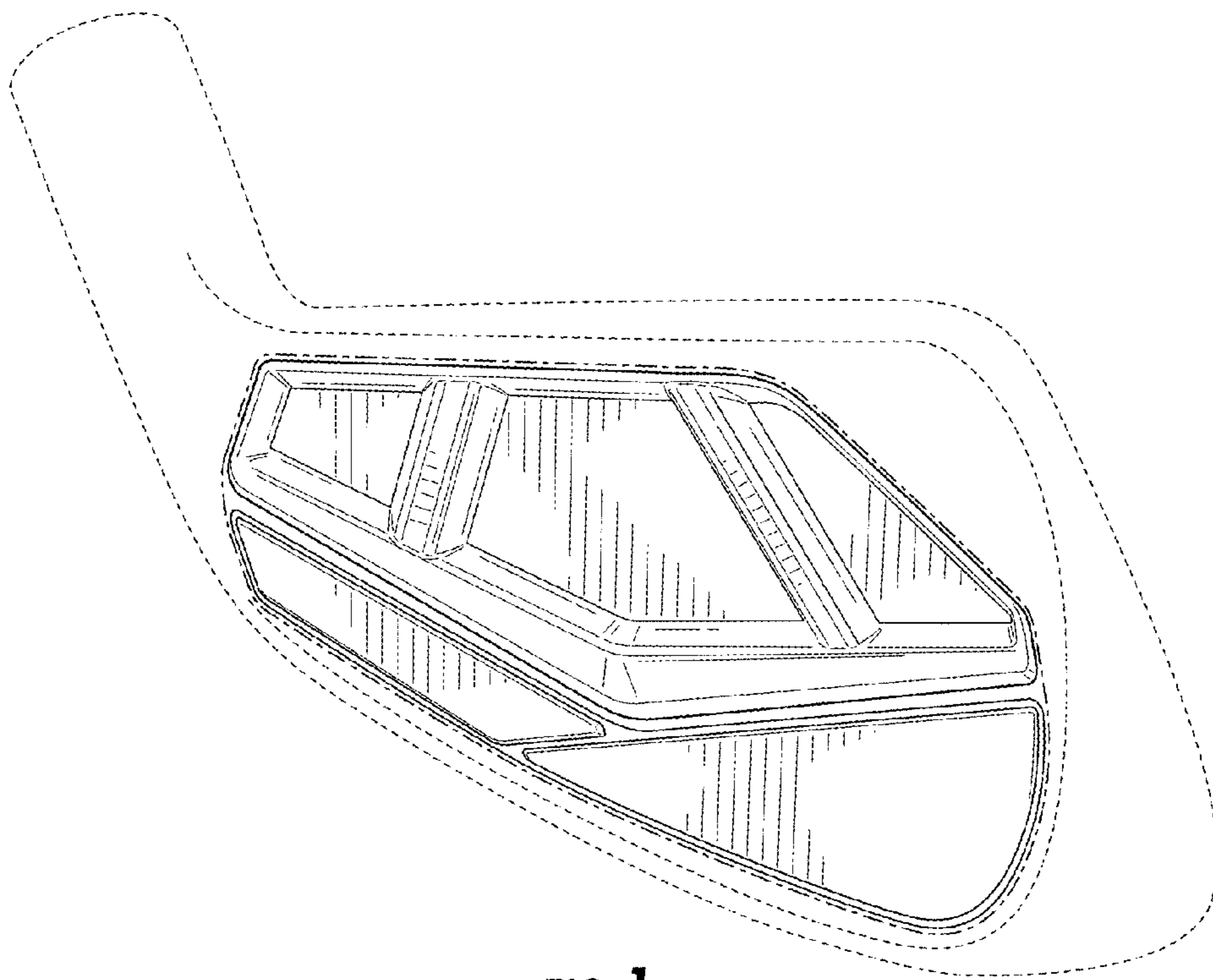
**OTHER PUBLICATIONS**

U.S. PATENT DOCUMENTS

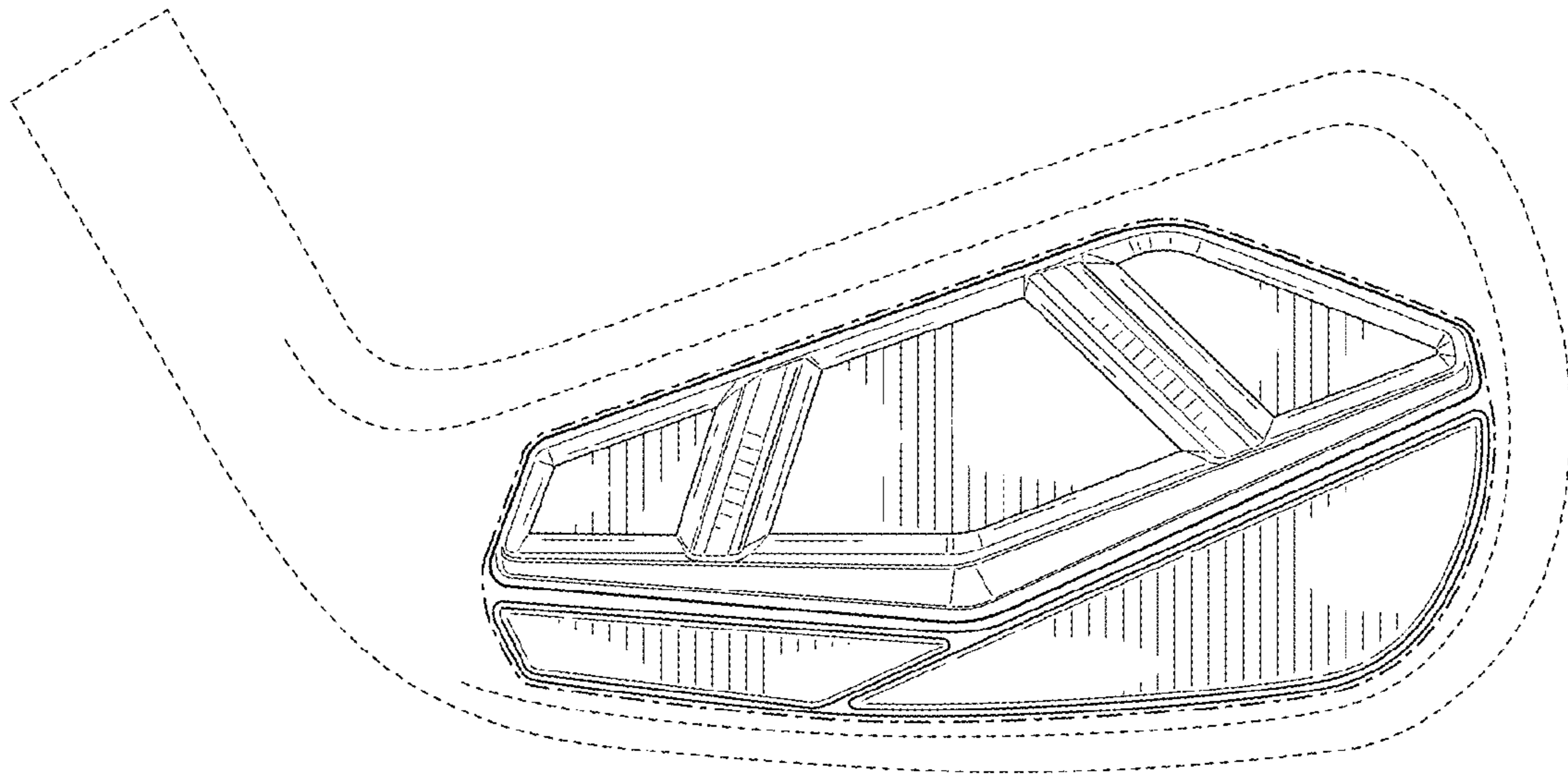
D720,416 S 12/2014 Delvac et al.  
D725,732 S 3/2015 Westrum et al.  
D736,875 S \* 8/2015 Llewellyn ..... D21/759

Golfsmith Catalog, Spring 2010; pp. 25, published Spring 2010.  
Golfsmith Catalog, Spring 2010; pp. 34, published Spring 2010.  
Golfsmith Catalog, Spring 2010; pp. 29, published Spring 2010.

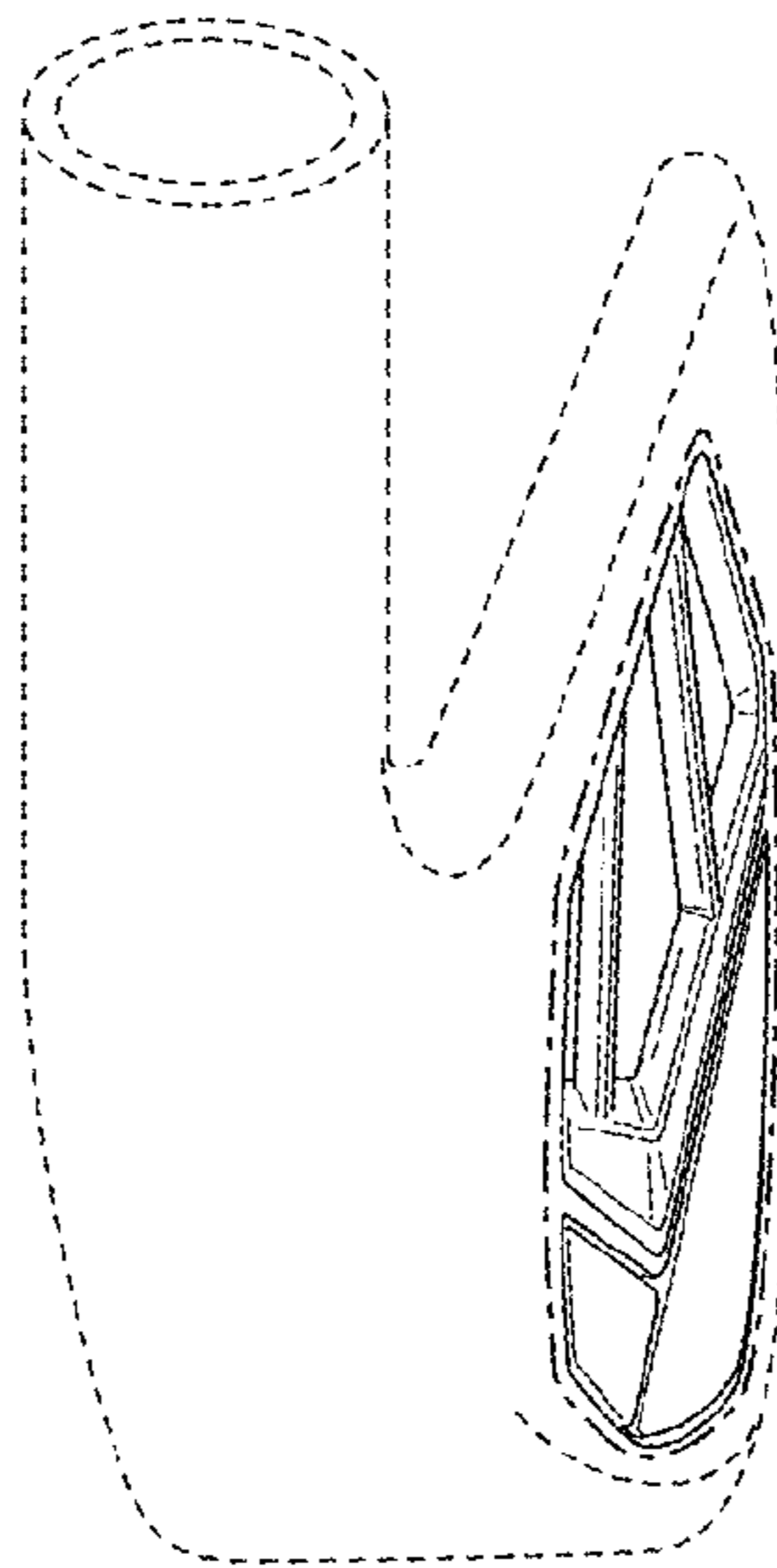
\* cited by examiner



**FIG. 1**



**FIG. 2**



**FIG. 3**