



US00D763976S

(12) **United States Design Patent**
Vezeau et al.

(10) **Patent No.:** **US D763,976 S**

(45) **Date of Patent:** **** Aug. 16, 2016**

(54) **TREADMILL**

(71) Applicant: **9185-7714 QUEBEC INC.**, Bromont (CA)

(72) Inventors: **Steve Vezeau**, Montreal (CA); **Feres Chaouch**, Montreal (CA)

(73) Assignee: **9185-7714 QUEBEC INC.**, Bromont, QC (CA)

(**) Term: **14 Years**

(21) Appl. No.: **29/512,011**

(22) Filed: **Dec. 16, 2014**

(30) **Foreign Application Priority Data**

Jun. 16, 2014 (CA) 157216

(51) **LOC (10) Cl.** **21-02**

(52) **U.S. Cl.**
USPC **D21/669**

(58) **Field of Classification Search**

USPC 482/54, 140, 142, 123, 121, 122, 129, 482/130, 96, 52, 57, 907, 126, 131, 145, 482/144, 112, 134, 26, 27, 77, 125, 132, 92, 482/95, 91, 128, 68, 141, 53, 133, 138; D21/687, 686, 669, 673, 690, 691, 694, D21/676, 674, 670, 663, 662, 423, 695, D21/688; D24/183, 188; 297/175, 445.1, 297/423.38, 230.1; 601/24, 49; 606/240, 606/244, 242; 5/613, 618, 624; 473/197, 473/422; 280/47.371, 79.6; D14/447
CPC A63B 22/02; A63B 22/0023; A63B 22/0235; A63B 2210/50; A63B 21/4029; A63B 22/0285; A63B 22/0242; A63B 2225/30; A63B 21/078; A61H 2203/0493; A61H 1/0292; A61H 2201/1284; A61H 1/02222

See application file for complete search history.

(56) **References Cited**

U.S. PATENT DOCUMENTS

D379,388 S *	5/1997	Montijo	D21/694
D687,832 S *	8/2013	Edwards	D14/447
D703,279 S *	4/2014	Ho	D21/673
D703,673 S *	4/2014	Kittlaus	D14/447
D707,763 S *	6/2014	Cutler	D21/669
D752,595 S *	3/2016	Heckler	D14/447
D754,135 S *	4/2016	Cromack	D14/447
2016/0038784 A1 *	2/2016	Hou	A63B 22/02 482/54

OTHER PUBLICATIONS

ATP by Hitrainer posted no dae given on website. Found online [Apr. 27, 2016] <http://hitrainer.com/atp.htm>.*

* cited by examiner

Primary Examiner — Robert M Spear

Assistant Examiner — Ryan Harvey

(74) *Attorney, Agent, or Firm* — Norton Rose Fulbright Canada LLP

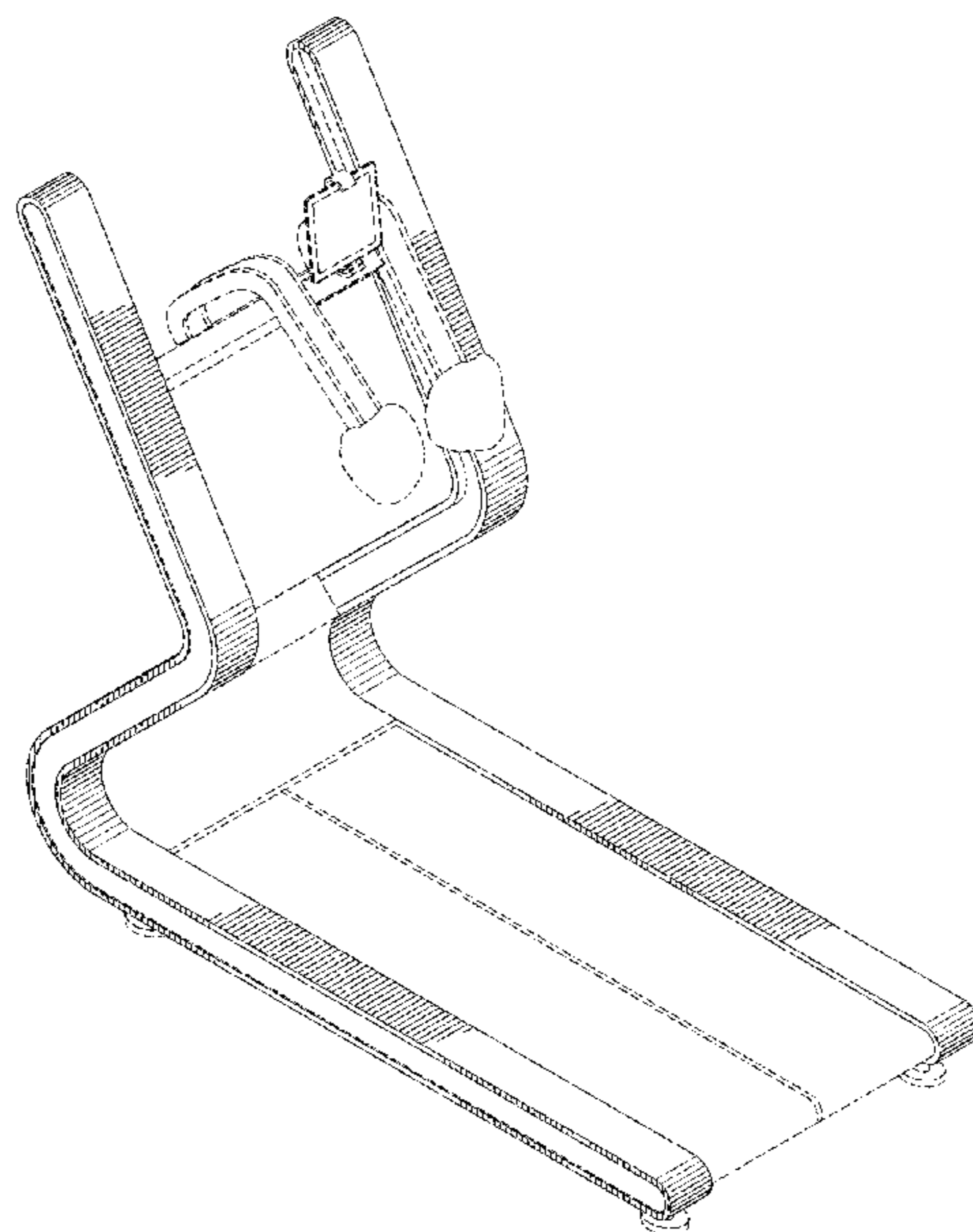
(57) **CLAIM**

The ornamental design for a treadmill, as shown and described.

DESCRIPTION

FIG. 1 is a perspective view of the treadmill;
FIG. 2 is a side elevation view of the treadmill;
FIG. 3 is a top view of the treadmill;
FIG. 4 is a front view of treadmill; and,
FIG. 5 is back view of the treadmill.
The portions of the treadmill shown in broken lines form no part of the claimed design.

1 Claim, 4 Drawing Sheets



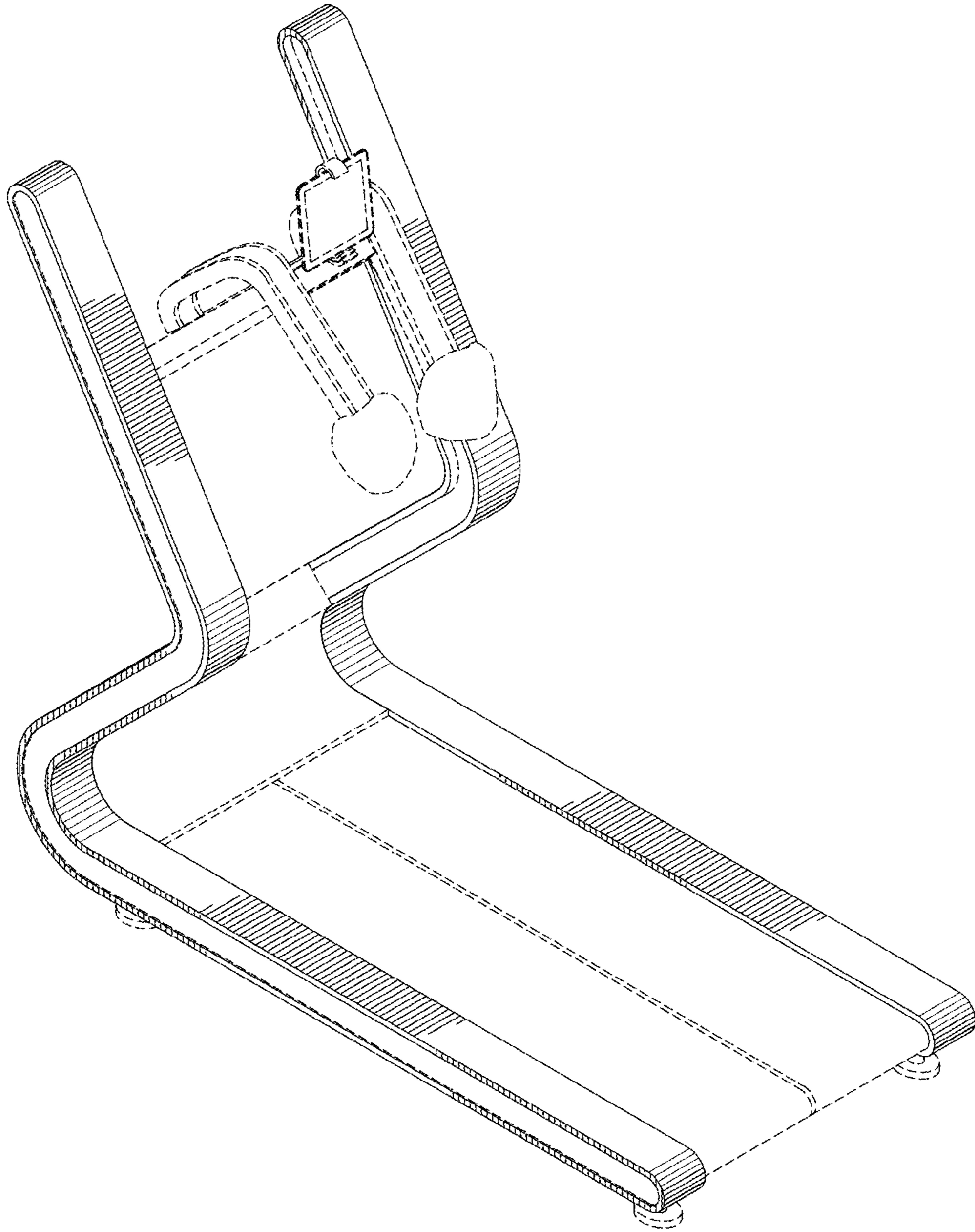
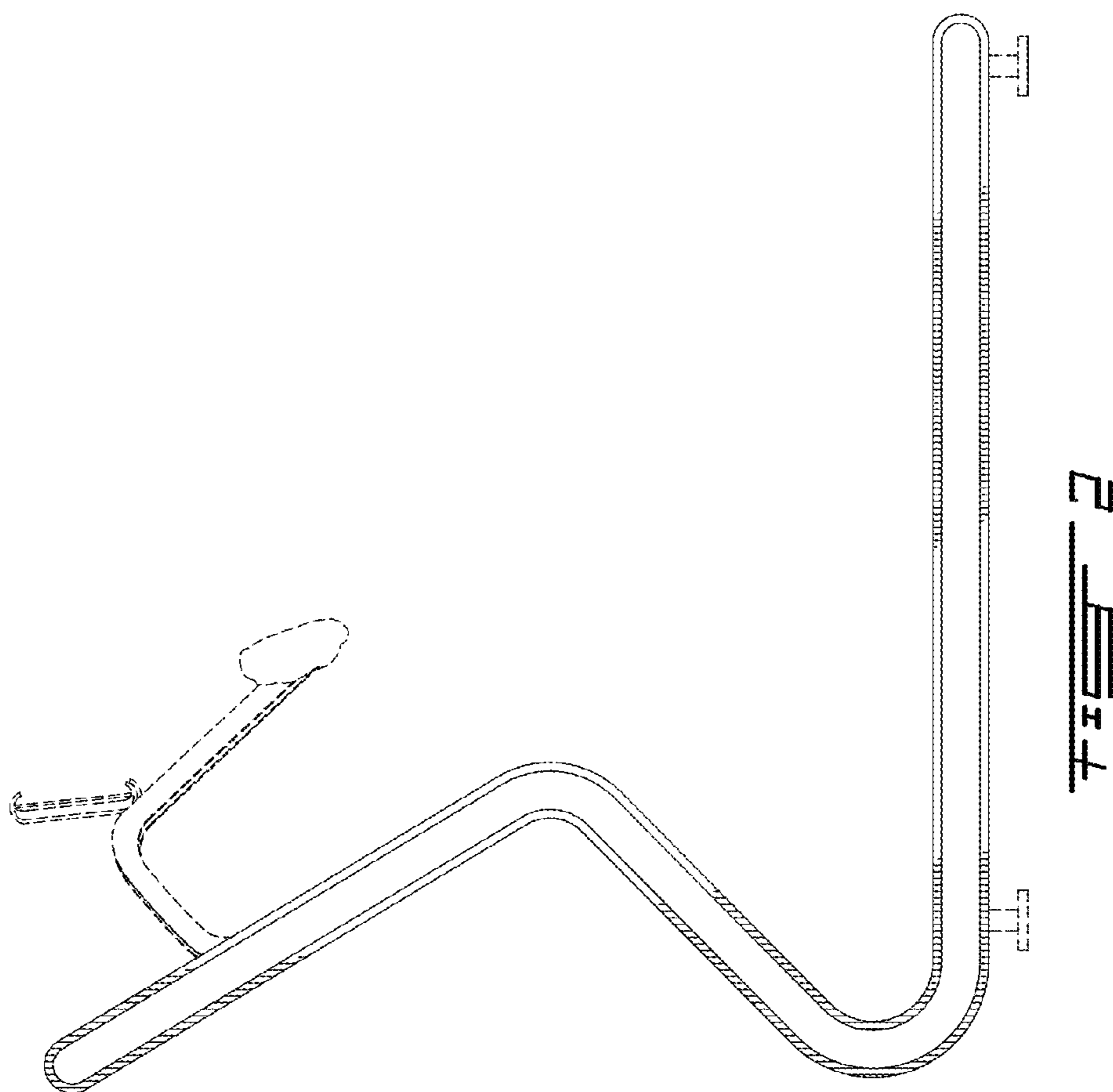


FIG. 1



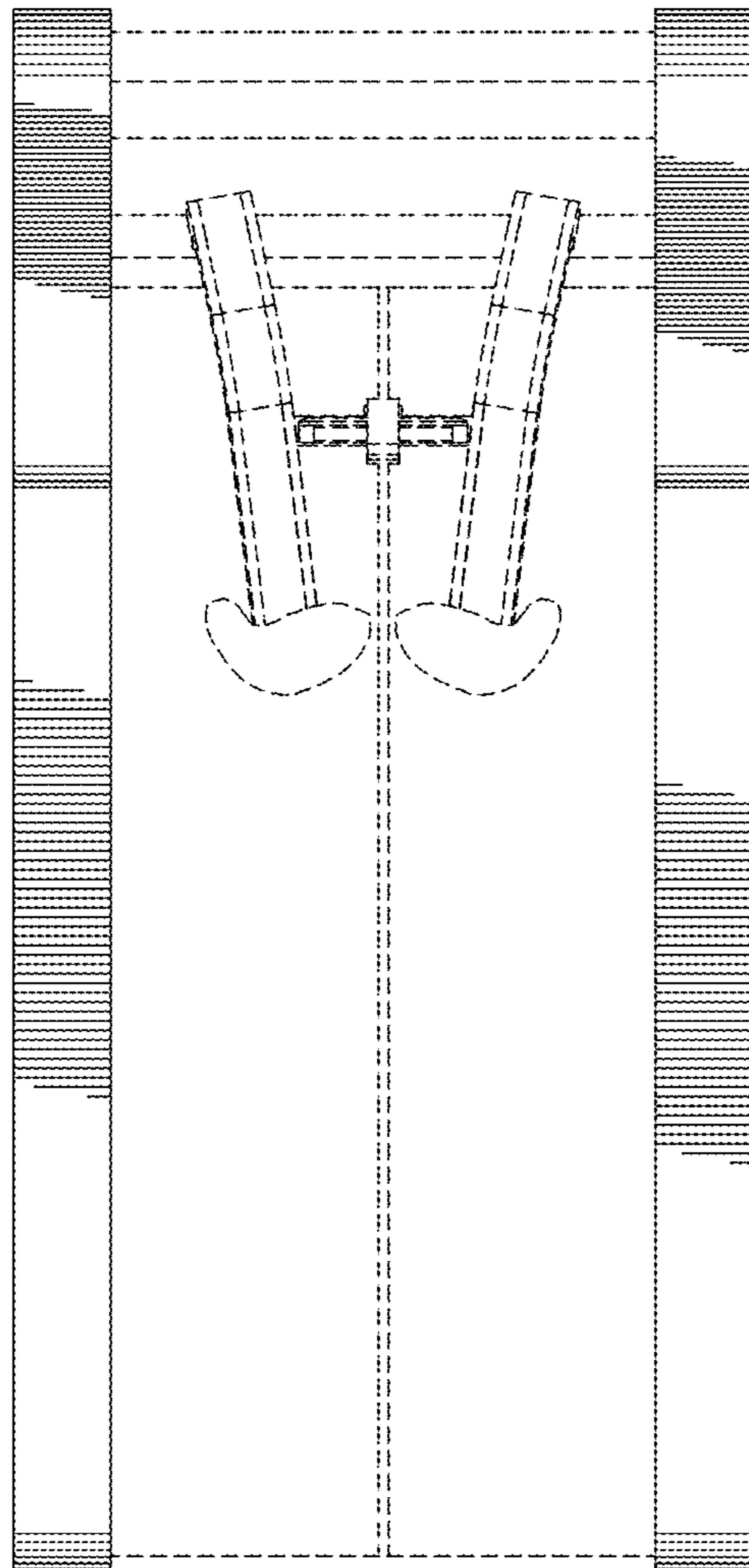


FIG. 3

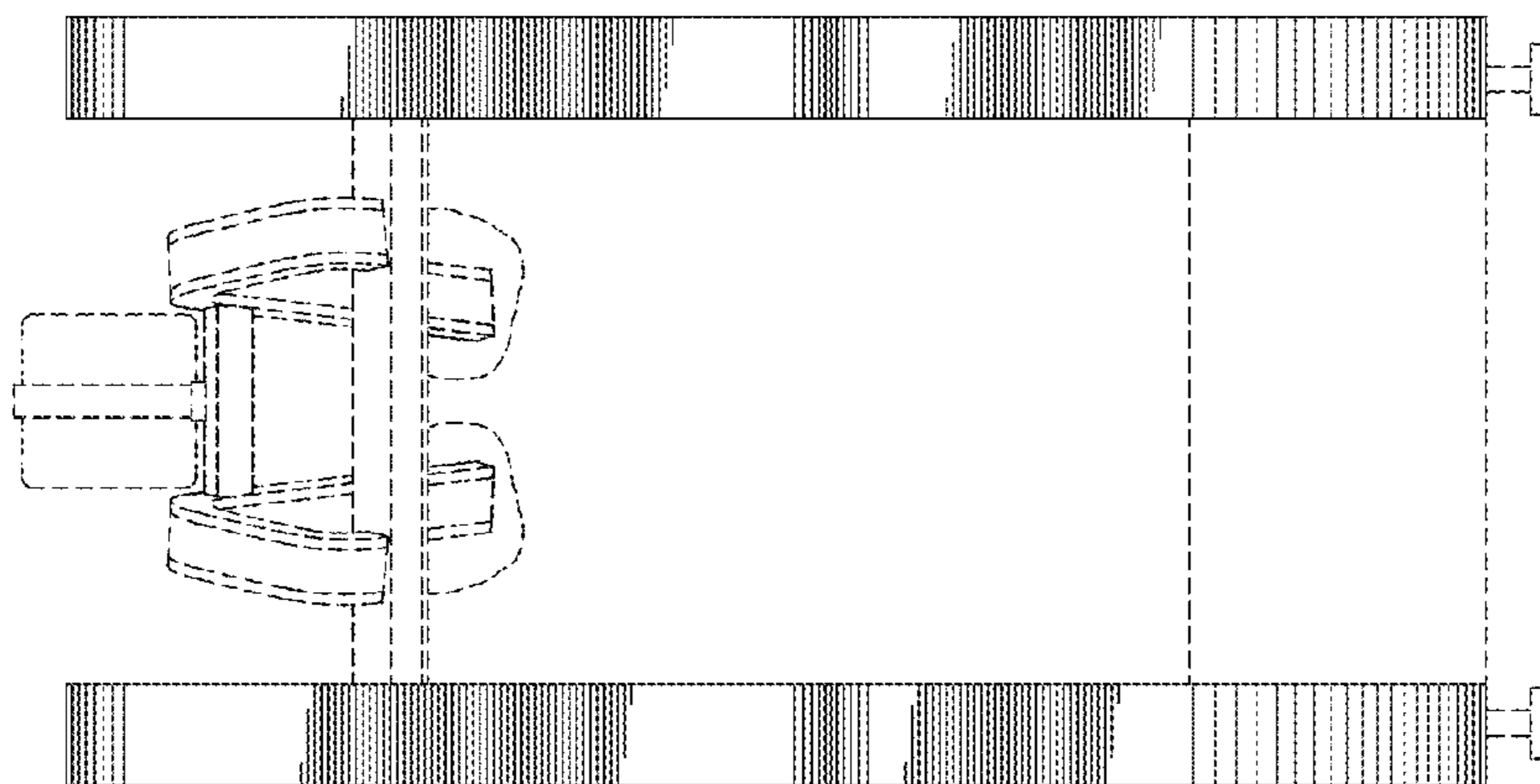


FIG. 5

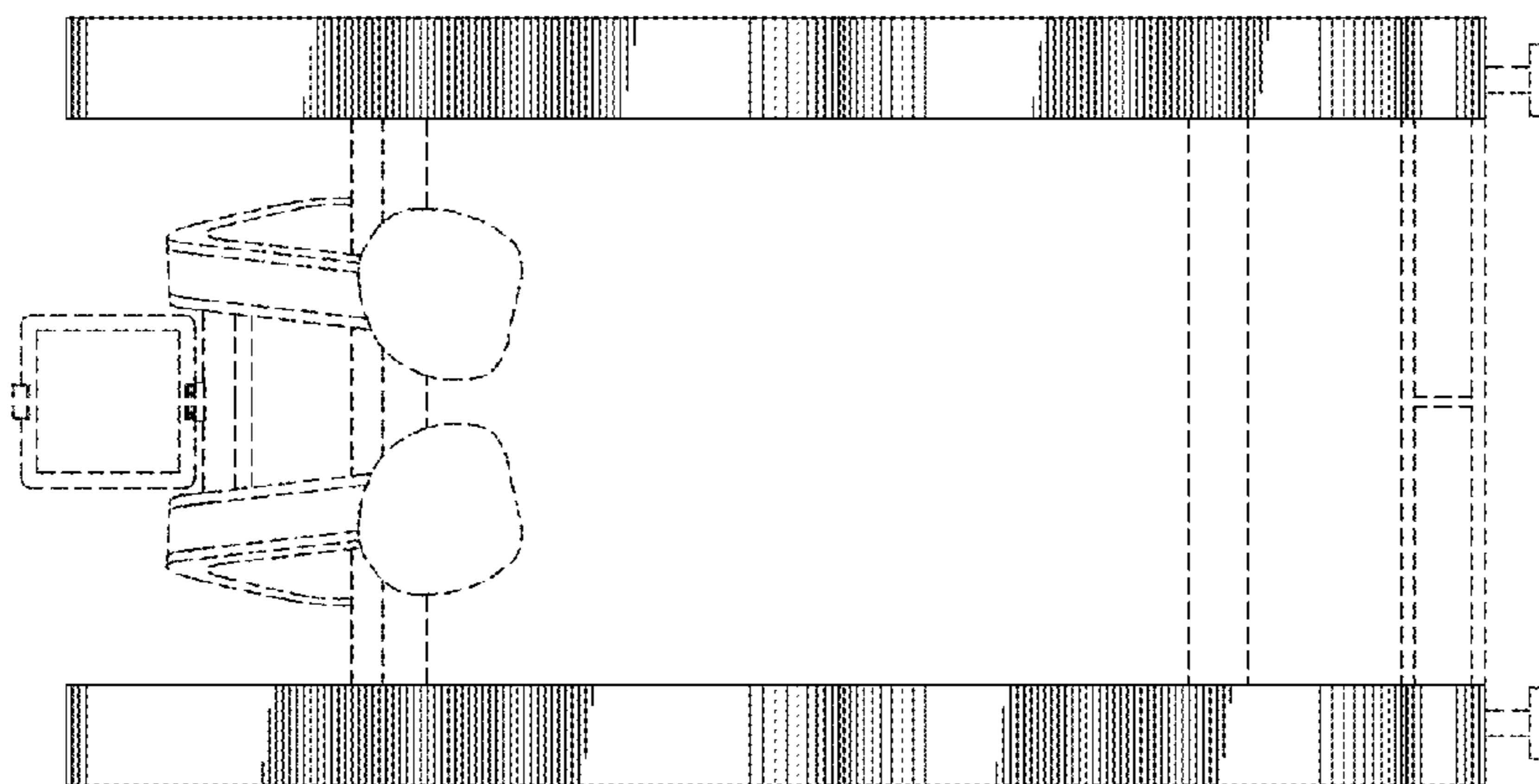


FIG. 4