



US00D763975S

(12) **United States Design Patent**
Orenstein et al.

(10) **Patent No.:** **US D763,975 S**
(45) **Date of Patent:** **** Aug. 16, 2016**

(54) **ANCHORING STATION**

(71) Applicant: **The Prophet Corporation**, Owatonna, MN (US)

(72) Inventors: **Amber Orenstein**, Prior Lake, MN (US); **Caleb Summers**, St. Louis Park, MN (US); **James P Moorman**, Bloomington, MN (US); **Derek Johnson**, Owatonna, MN (US)

(73) Assignee: **The Prophet Corporation**, Owatonna, MN (US)

(**) Term: **14 Years**

(21) Appl. No.: **29/509,060**

(22) Filed: **Nov. 13, 2014**

(51) **LOC (10) Cl.** **21-02**

(52) **U.S. Cl.**

USPC **D21/662**; D21/673; D21/694

(58) **Field of Classification Search**

USPC D21/682, 668-694, 719, 799.16, 698, D21/699, 701, 702, 704, 705, 706, 780, 781, D21/787, 788, 790, 796, 797, 798, 800; D6/708, 708.17, 708.21, 708.24, D6/708.25, 712, 552; D25/38.1, 48.8

CPC A63B 21/04; A63B 21/018; A63B 21/025; A63B 21/0442; A63B 21/0552; A63B 21/0557; A63B 21/151; A63B 21/16; A63B 21/4027; A63B 21/4037; A63B 2225/102; A63B 61/02; A63B 61/04; A63B 2243/0037; A63B 2243/0095; A63B 2071/025; A63B 2071/026; A63B 2071/028; A63B 71/021; A63B 71/022; A63B 71/023; A63B 69/00; A63B 69/0091; A63B 63/00; A63B 63/004; A63B 63/005; A63B 63/007; A63B 63/06; A63B 63/08; A63B 63/083; A63B 63/086; A63B 71/0036; A63B 71/0045; A63B 67/00; A63B 67/002; A63B 2210/50

See application file for complete search history.

(56) **References Cited**

U.S. PATENT DOCUMENTS

D344,292 S * 2/1994 Dinan D20/41
5,853,352 A * 12/1998 Login A63B 6/00
482/23

(Continued)

OTHER PUBLICATIONS

2014 Gopher Catalogue, front page, quick index page, p. 282 and back page (4 pages) (Copyright 2014).

Primary Examiner — Catherine Tuttle

(74) *Attorney, Agent, or Firm* — Merchant & Gould P.C.

(57) **CLAIM**

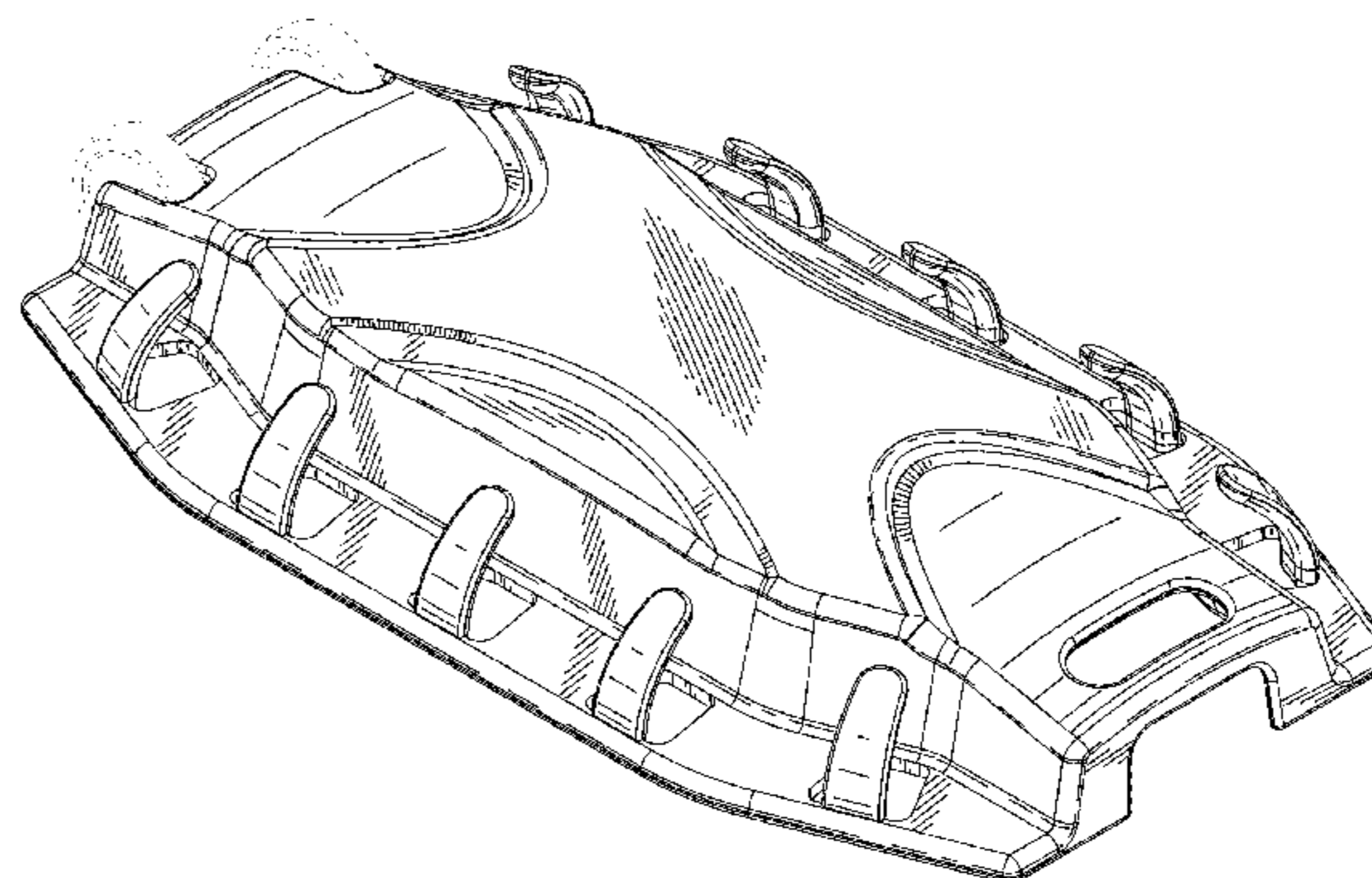
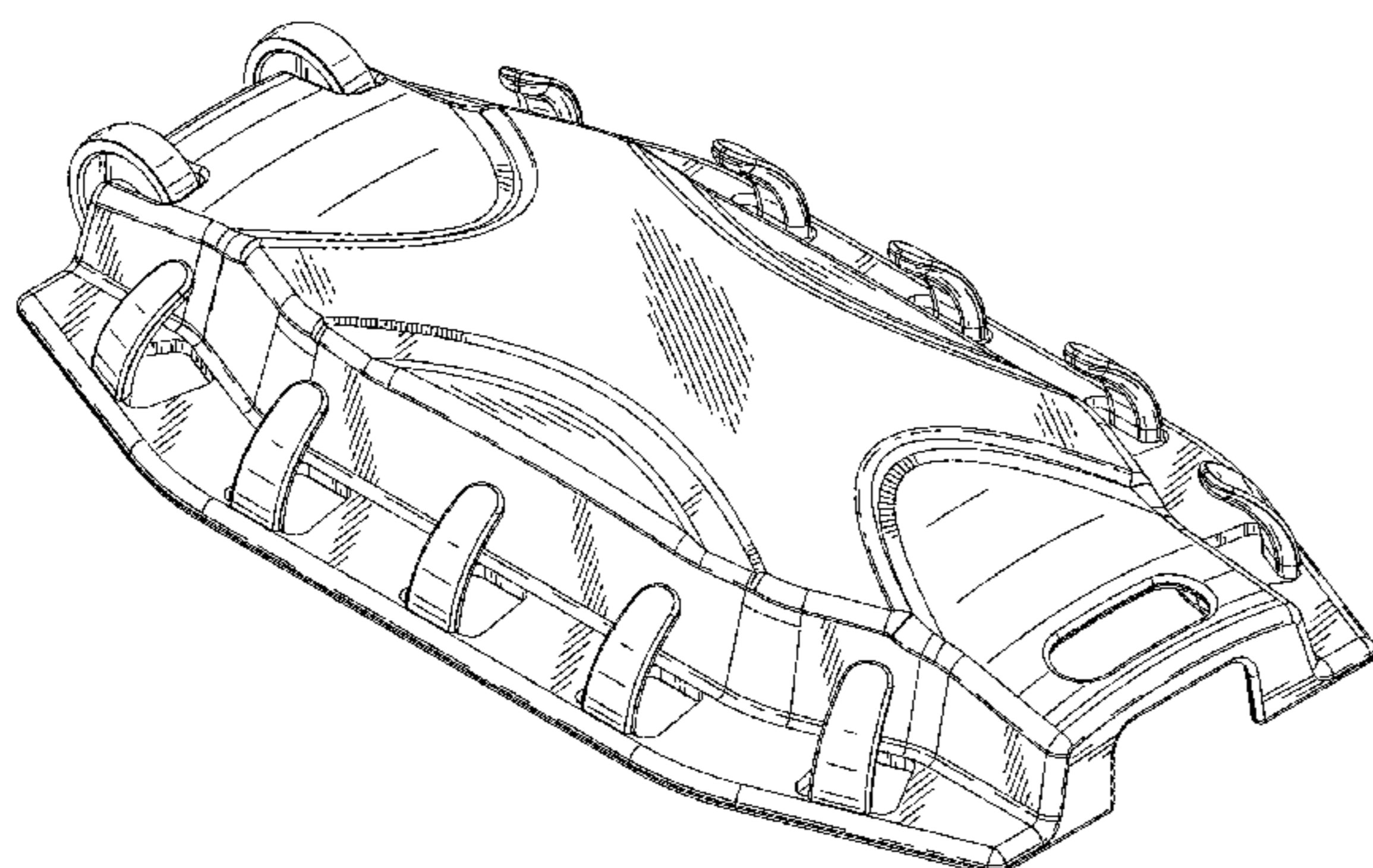
The ornamental design for an anchoring station, as shown and described.

DESCRIPTION

FIG. 1 is top perspective view of a first embodiment of an anchoring station; FIG. 2 is a top plan view of the anchoring station of FIG. 1; FIG. 3 is a bottom plan view of the anchoring station of FIG. 1; FIG. 4 is a first end view of the anchoring station of FIG. 1; FIG. 5 is a second end view of the anchoring station of FIG. 1; FIG. 6 is a first side view of the anchoring station of FIG. 1; FIG. 7 is a second side view of the anchoring station of FIG. 1; FIG. 8 is top perspective view of a second embodiment of an anchoring station; FIG. 9 is a top plan view of the anchoring station of FIG. 8; FIG. 10 is a bottom plan view of the anchoring station of FIG. 8; FIG. 11 is a first end view of the anchoring station of FIG. 8; FIG. 12 is a second end view of the anchoring station of FIG. 8; FIG. 13 is a first side view of the anchoring station of FIG. 8; and, FIG. 14 is a second side view of the anchoring station of FIG. 8.

The portions shown in dashed lines in the various FIGS., including the foam padding in the first embodiment and the wheels in the second embodiment, are shown for illustration purposes and form no portion of the claimed design.

1 Claim, 10 Drawing Sheets



(56)

References Cited

U.S. PATENT DOCUMENTS

6,220,994 B1 *	4/2001	Rich	A63B 21/0004 482/123	2005/0051445 A1 *	3/2005	Meehan	A45C 11/00 206/372
6,245,001 B1 *	6/2001	Siaperas	A63B 21/04 482/123	2006/0128540 A1 *	6/2006	Engle	A63B 21/04 482/123
6,558,301 B1 *	5/2003	Jackson	A63B 21/0552 482/121	2007/0135278 A1 *	6/2007	Grigoriev	A61F 5/0102 482/124
D482,748 S *	11/2003	Flynt	D21/662	2010/0081549 A1 *	4/2010	Thompson	A63B 5/11 482/27
D596,247 S *	7/2009	Wu	D21/671	2011/0143896 A1 *	6/2011	Senegal	A63B 22/18 482/139
D599,419 S *	9/2009	Chiuchiarelli	D21/662	2013/0008452 A1 *	1/2013	Evangelos	A63B 71/0622 128/845
D604,374 S *	11/2009	Bizzell	D21/688	2014/0051553 A1 *	2/2014	Hetzel	A63B 23/0458 482/52
8,403,818 B1 *	3/2013	Wilkinson	A63B 21/00069 482/121	2014/0066262 A1 *	3/2014	Kennedy	A63B 21/0004 482/52
D722,660 S *	2/2015	Yuan	D21/698	2015/0057138 A1 *	2/2015	Knilans	A63B 26/003 482/142
D741,963 S *	10/2015	Baumann	D21/688				

* cited by examiner

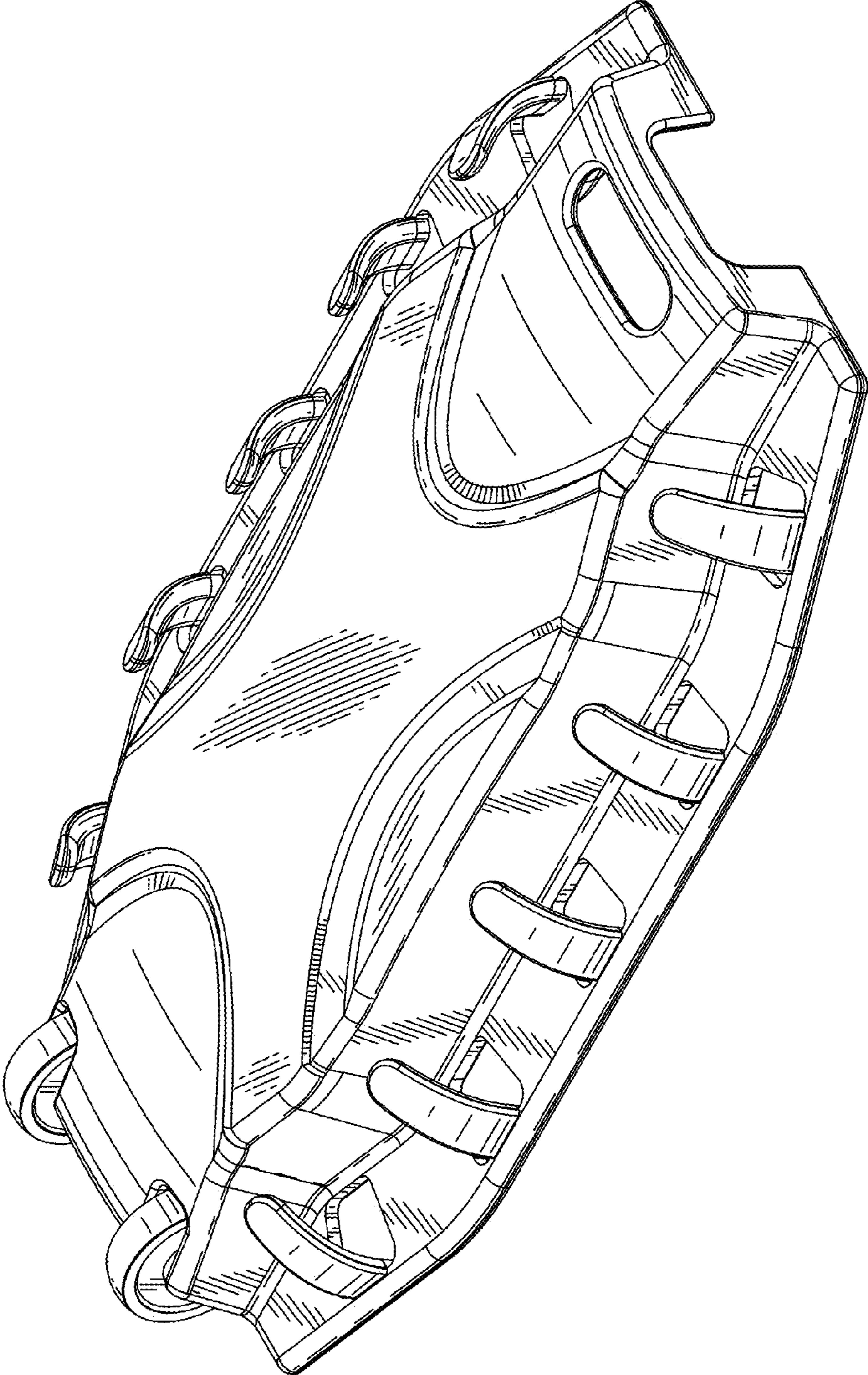


FIG. 1

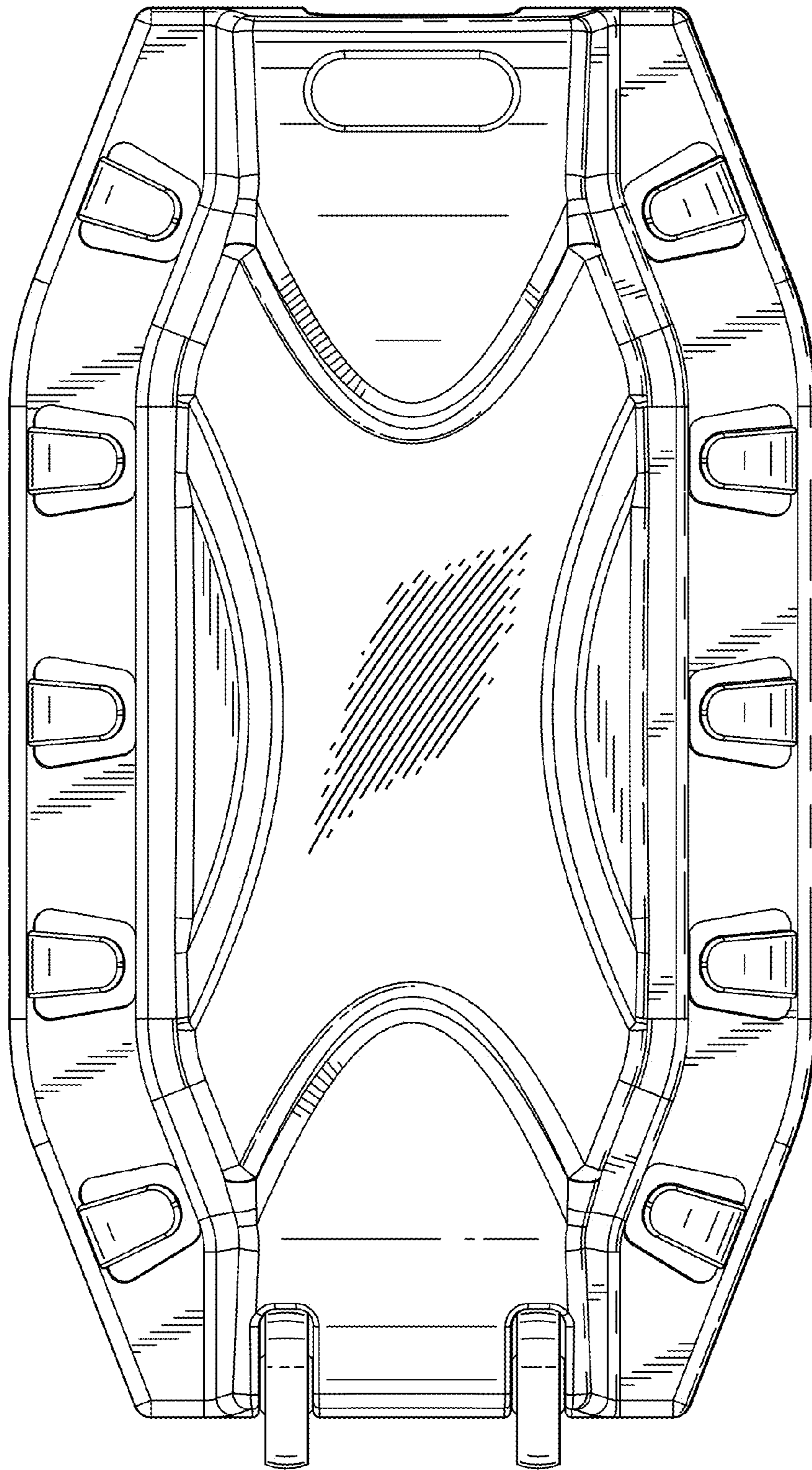


FIG. 2

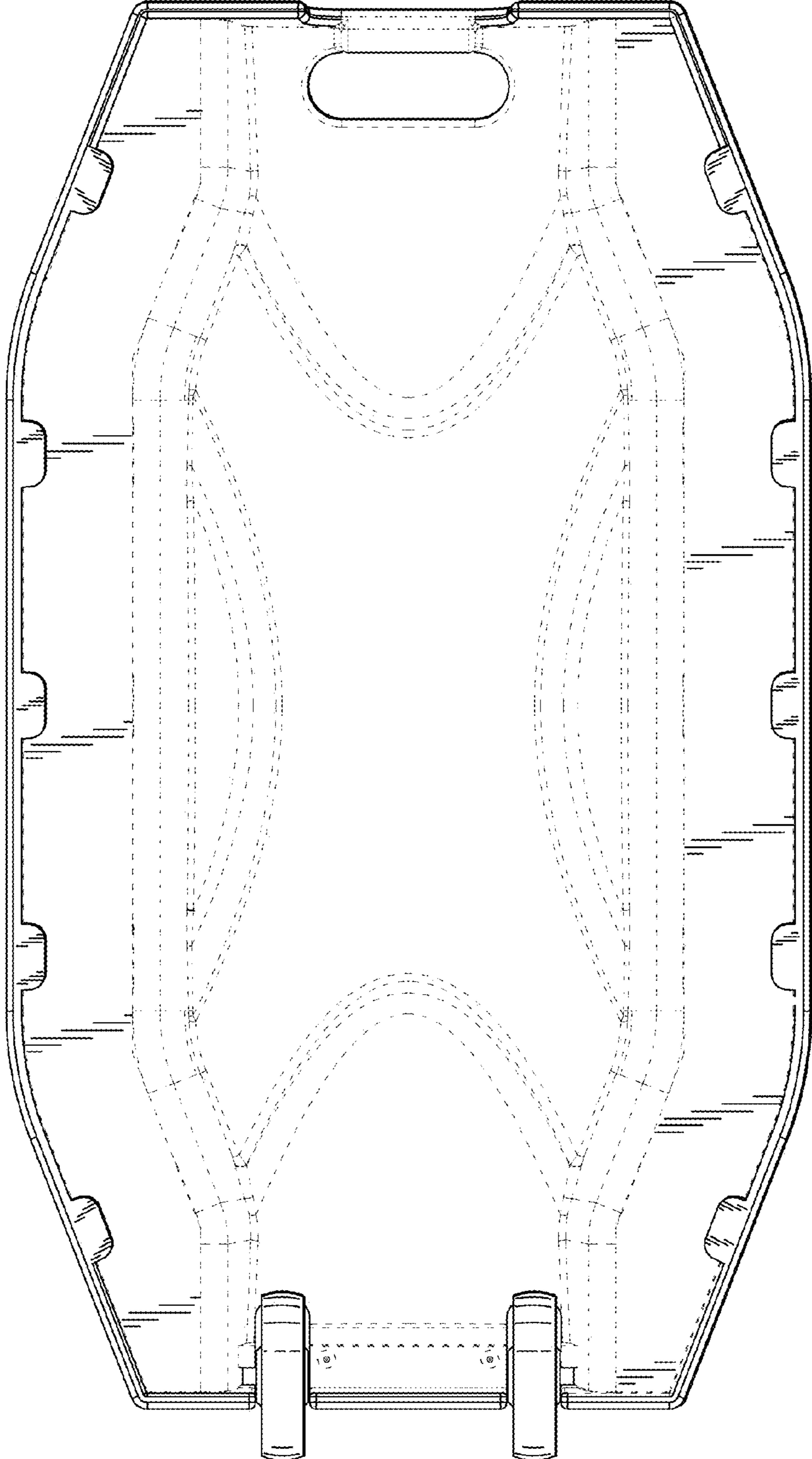


FIG. 3

FIG. 4

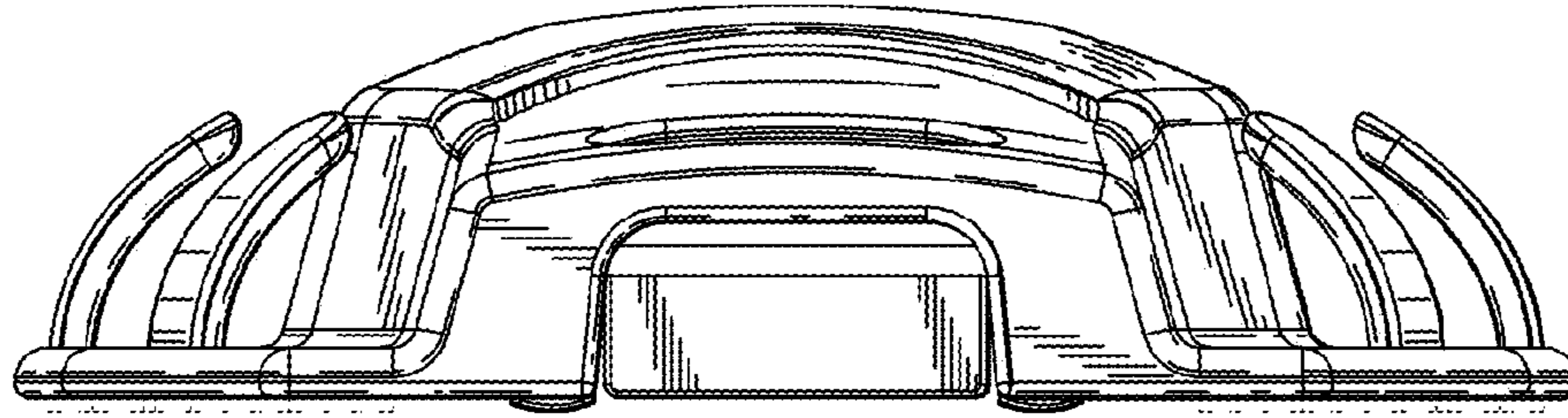


FIG. 5

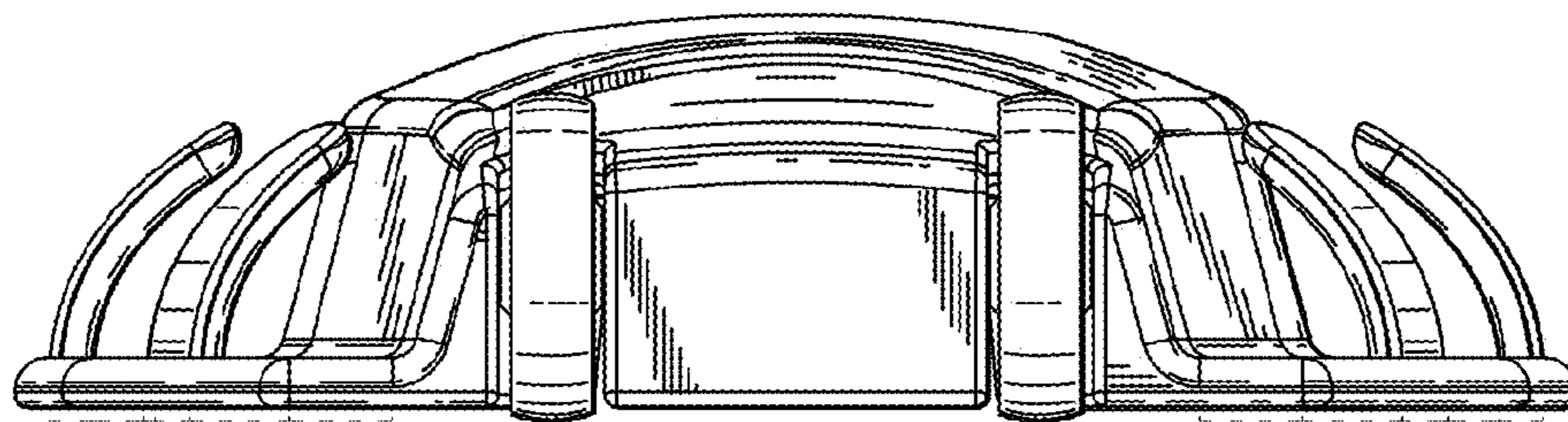


FIG. 6

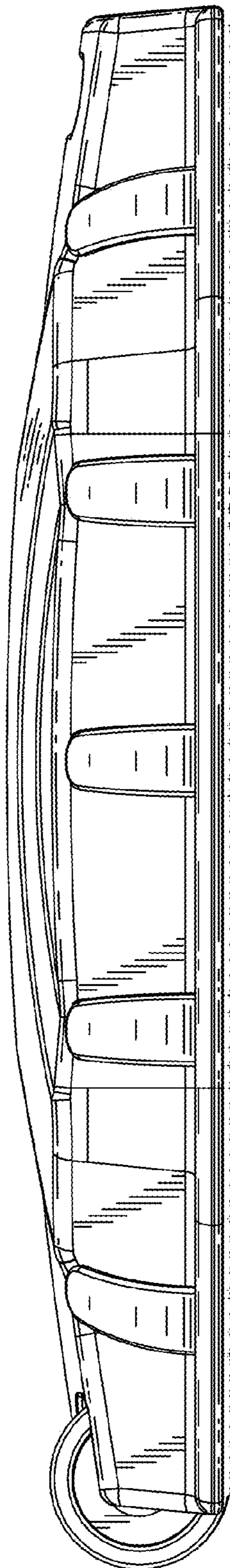
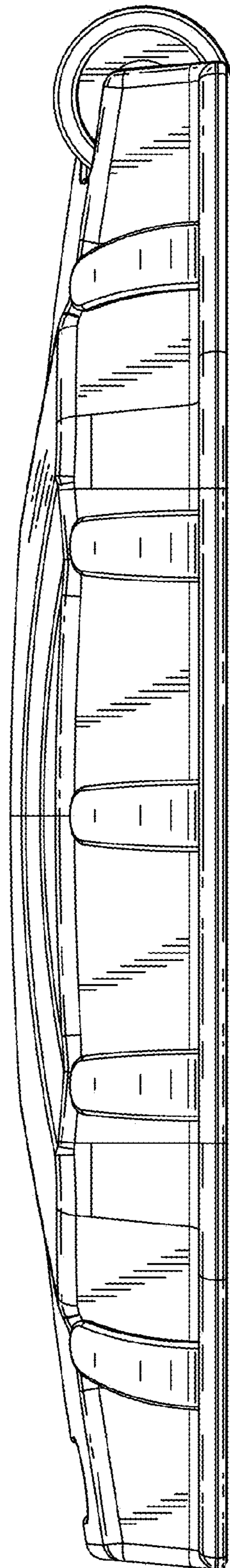


FIG. 7



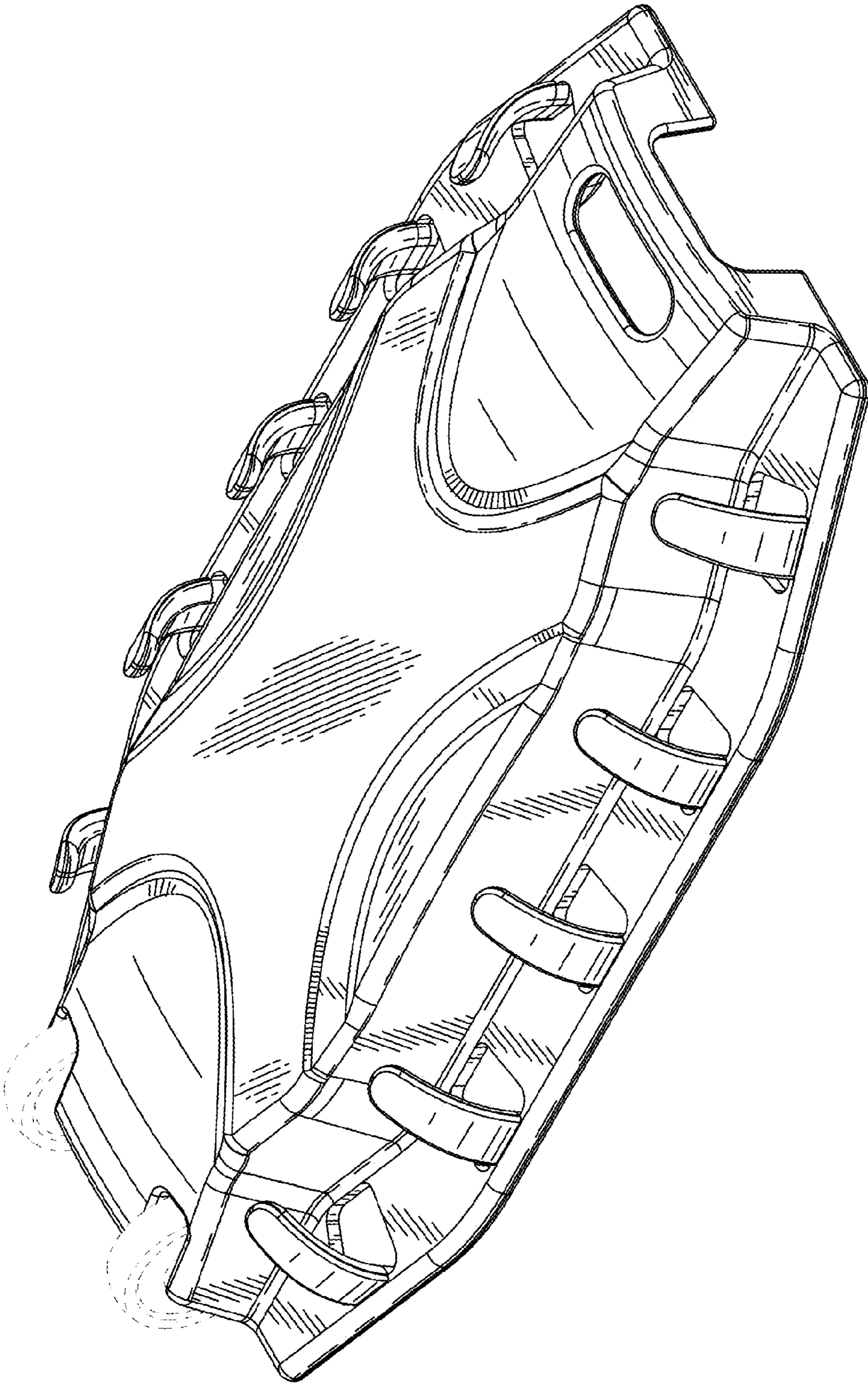


FIG. 8

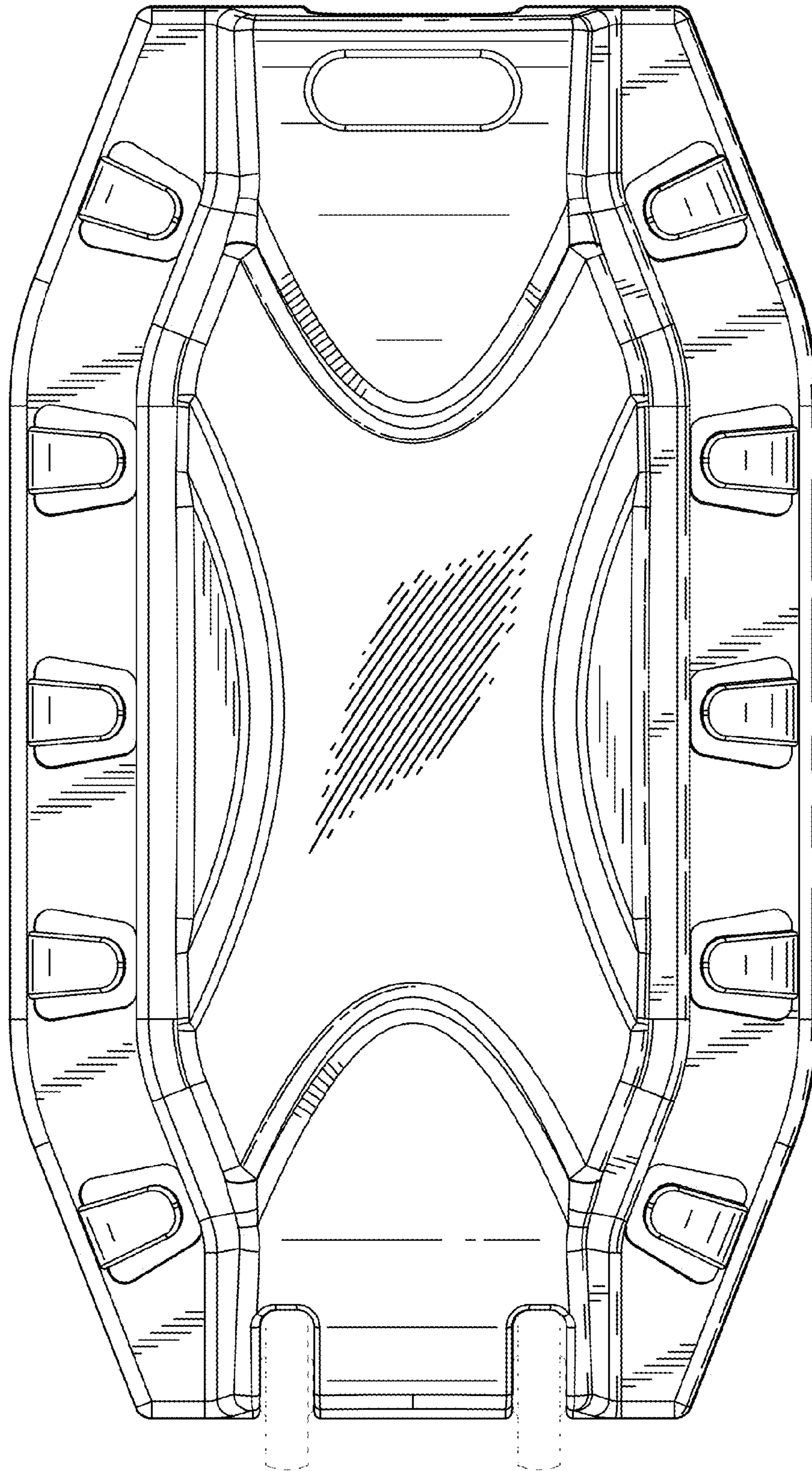


FIG. 9

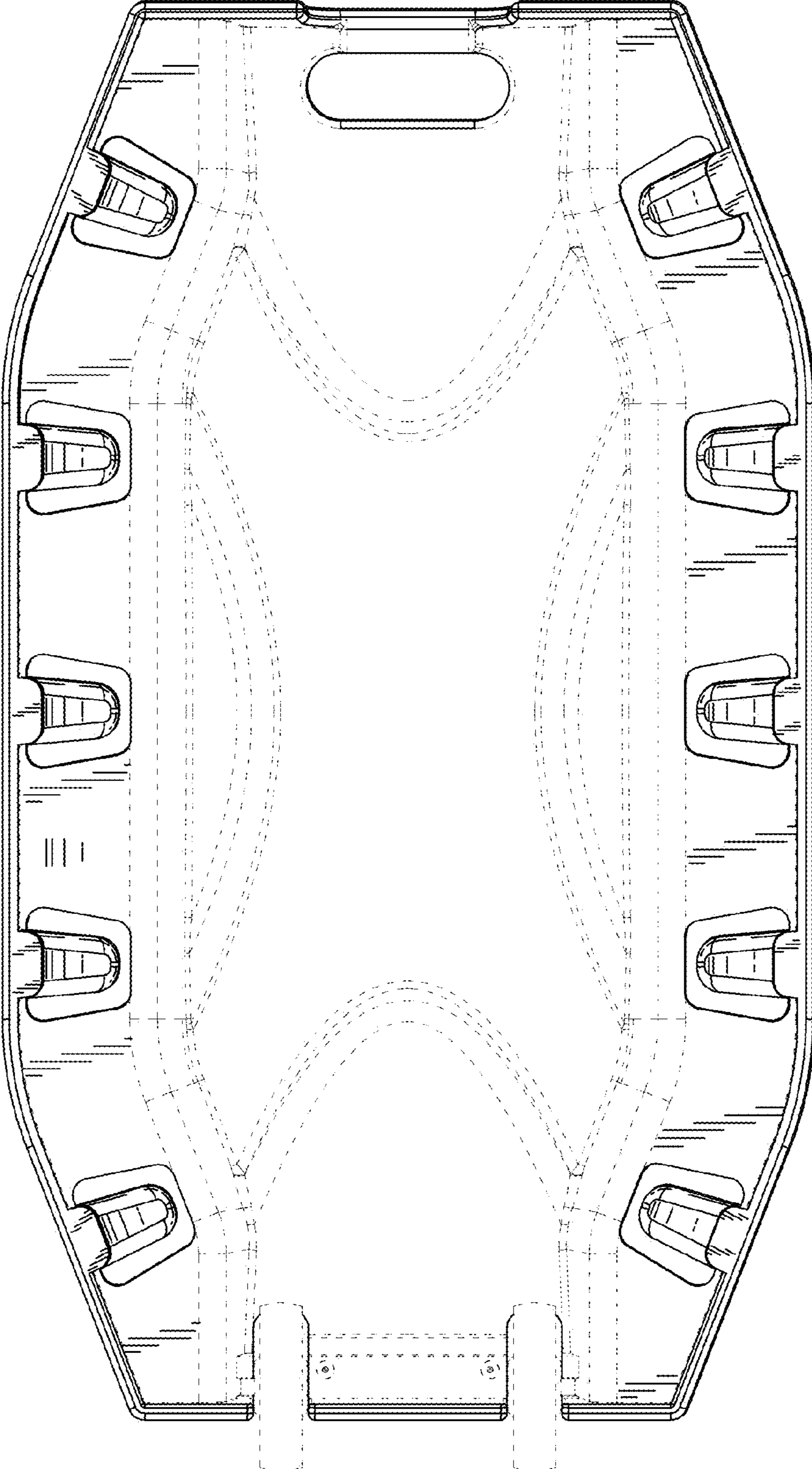


FIG. 10

FIG. 11

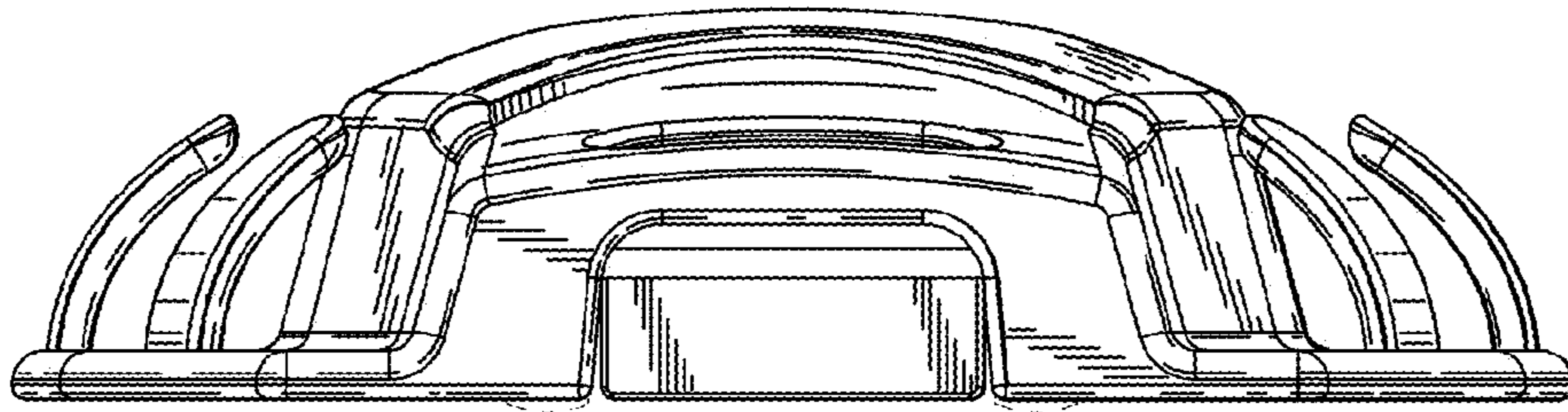


FIG. 12

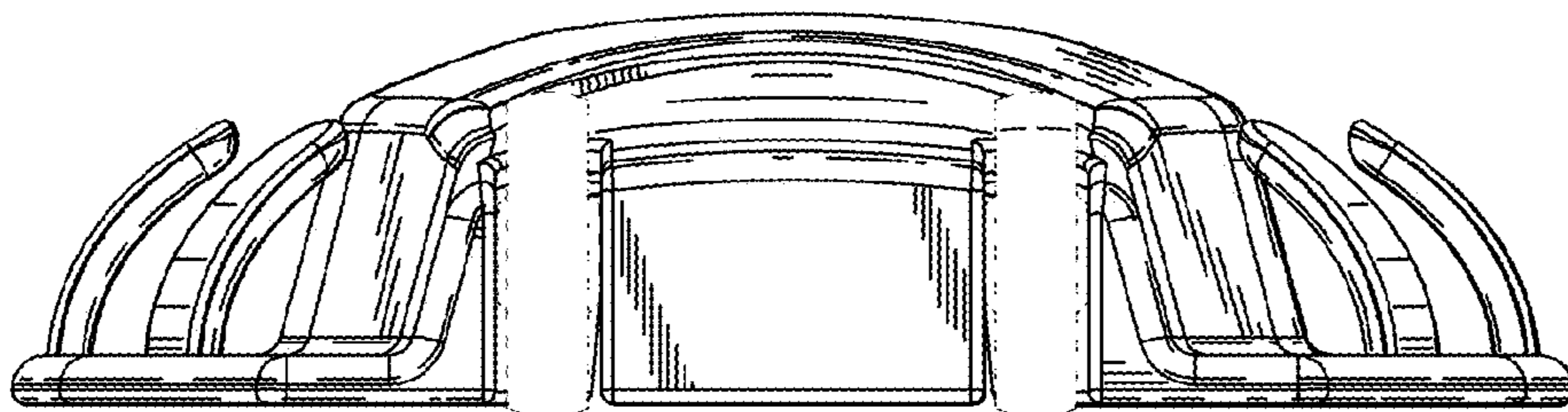


FIG. 13

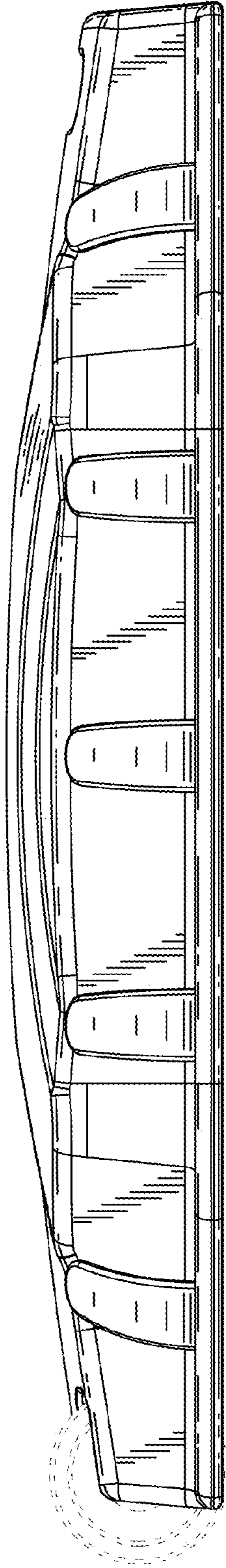


FIG. 14

