



US00D763974S

(12) **United States Design Patent**
Evans

(10) **Patent No.:** **US D763,974 S**
(45) **Date of Patent:** **** Aug. 16, 2016**

- (54) **FIRING BOLT TIP FOR USE IN A PAINT BALL GUN**
- (71) Applicant: **HTR Development, LLC**, Gotha, FL (US)
- (72) Inventor: **Edward Evans**, Whitby (CA)
- (73) Assignee: **HTR Development, LLC**, Gotha, FL (US)
- (**) Term: **14 Years**
- (21) Appl. No.: **29/478,203**
- (22) Filed: **Jan. 2, 2014**
- (51) **LOC (10) Cl.** **21-01**
- (52) **U.S. Cl.**
USPC **D21/573**
- (58) **Field of Classification Search**
USPC D15/199; D21/570, 573
See application file for complete search history.

(56) **References Cited**

U.S. PATENT DOCUMENTS

- 2,293,957 A * 8/1942 Wells F41B 11/51
124/44.6
- 2,301,653 A * 11/1942 Wells F41B 11/51
124/69
- 5,429,108 A * 7/1995 Hsieh F41B 11/641
124/56
- 5,505,188 A * 4/1996 Williams F41B 11/52
124/49
- 5,592,931 A * 1/1997 Johnson F41B 11/54
124/48
- 5,823,173 A * 10/1998 Slonaker F41A 21/00
124/56
- 6,142,136 A * 11/2000 Velasco F41B 11/00
124/71
- 6,213,112 B1 * 4/2001 Squire F41B 11/00
124/74
- 6,263,606 B1 * 7/2001 Aigner F41A 17/46
42/69.02
- 6,371,099 B1 * 4/2002 Lee F41B 11/52
124/58
- D478,146 S * 8/2003 Wygant D22/108

- 6,715,399 B2 * 4/2004 Barrett, Jr. F41A 3/46
89/182
- 6,715,480 B2 * 4/2004 Dziob F41B 11/00
124/73
- 7,121,271 B1 10/2006 Arndt
- D571,415 S * 6/2008 Jones D21/573
- D583,423 S * 12/2008 Kaakkola D21/570
- D585,097 S * 1/2009 Dochterman D21/573
- 7,490,598 B2 * 2/2009 Rice F41B 11/71
124/77
- D593,619 S * 6/2009 Halmone D21/573
- D593,621 S * 6/2009 Halmone D21/573
- 7,591,262 B2 * 9/2009 Jones F41B 11/73
124/77
- 7,640,927 B1 * 1/2010 Broersma F41B 11/52
124/73
- 7,882,829 B2 2/2011 Witzigreuter
- D658,727 S * 5/2012 Greiner D21/570
- D660,924 S * 5/2012 Jablonski D21/573
- D664,607 S * 7/2012 Jablonski D21/573
- D679,342 S * 4/2013 Coulter D21/573
- D682,364 S * 5/2013 Riley D21/573

(Continued)

Primary Examiner — Patricia Palasik

(74) *Attorney, Agent, or Firm* — Woodard, Emhardt, Moriarty, McNett & Henry LLP

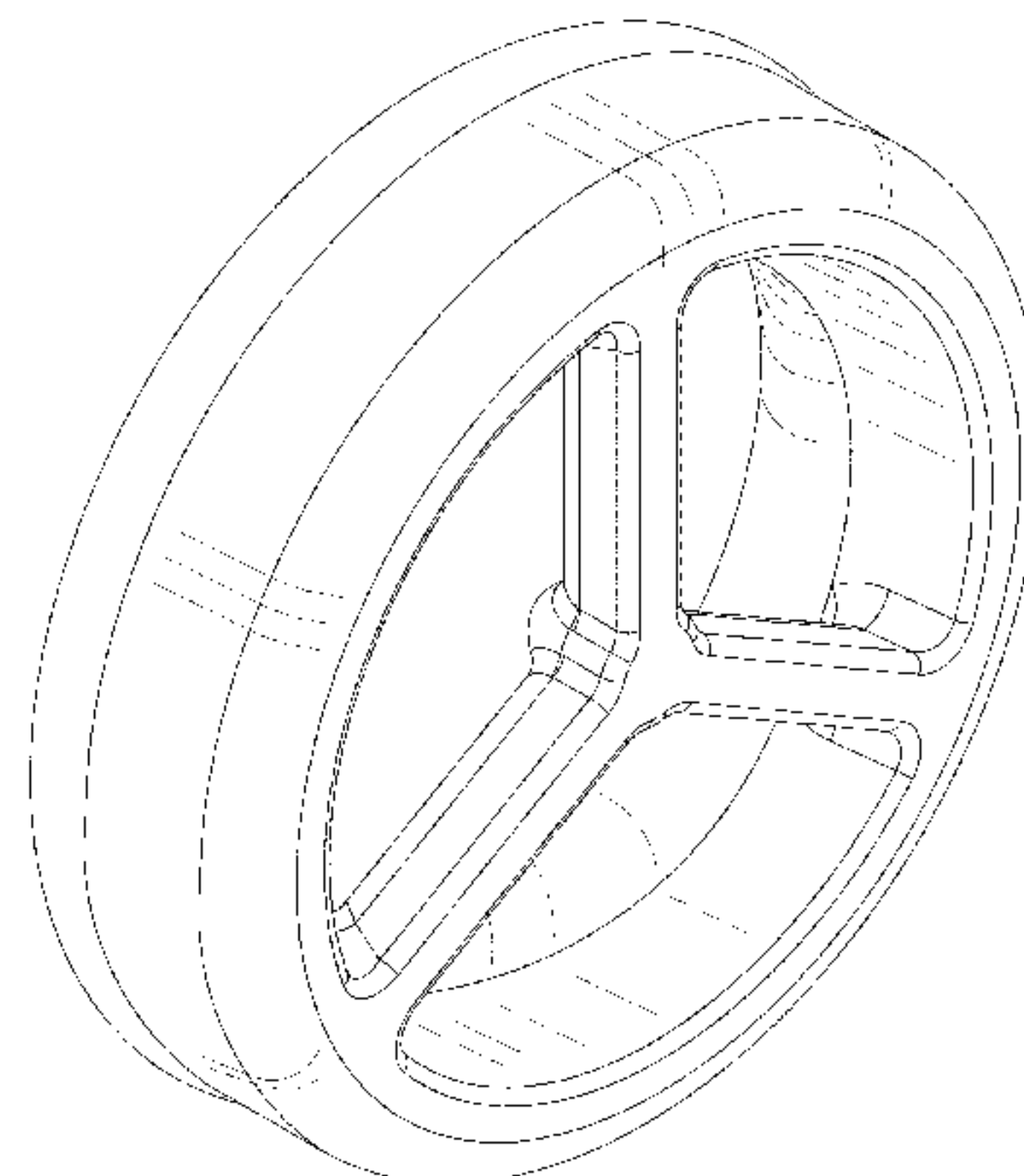
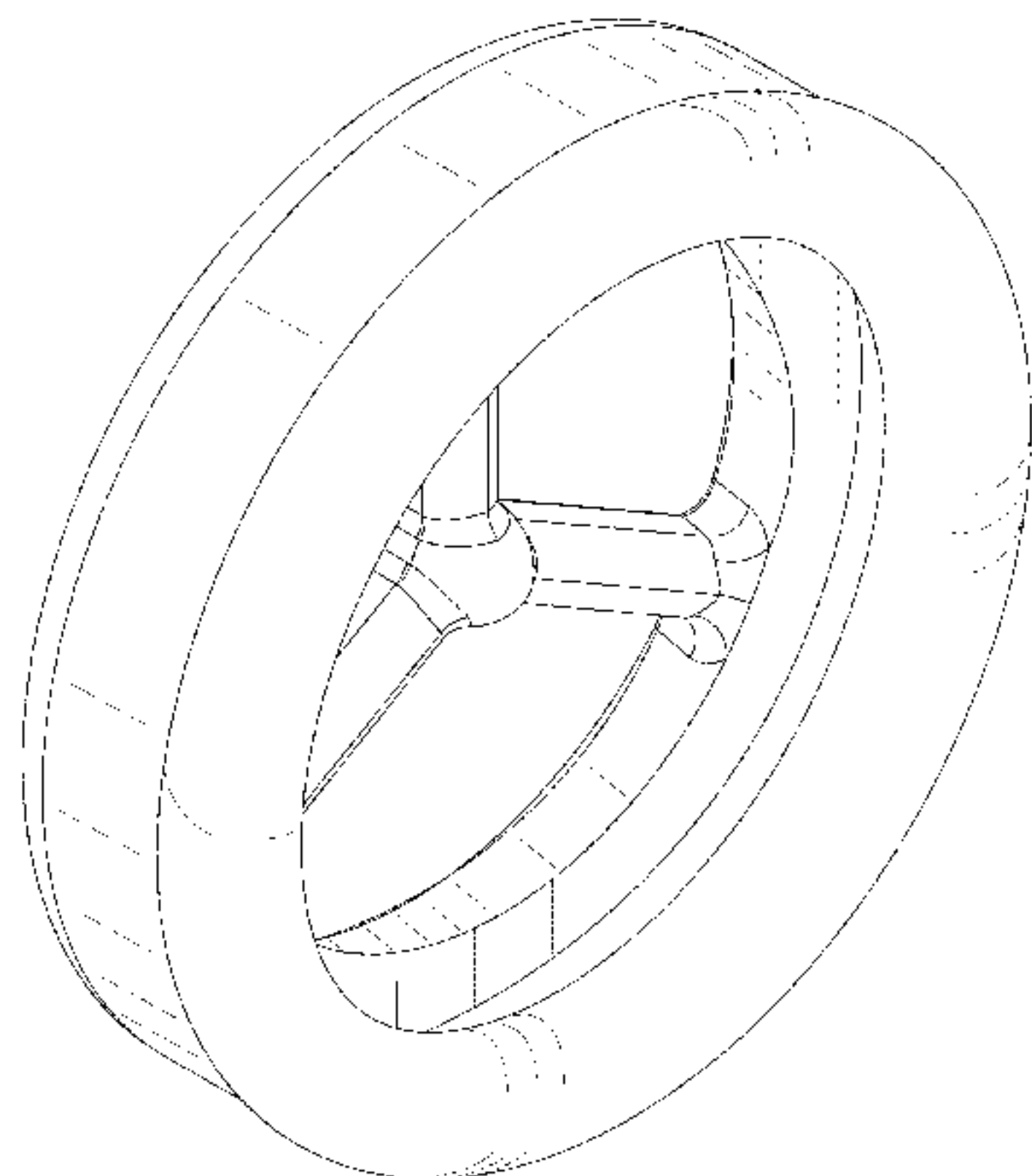
(57) **CLAIM**

The ornamental design for a firing bolt tip for use in a paint ball gun, as shown and described.

DESCRIPTION

FIG. 1 is a perspective view of a firing bolt tip.
 FIG. 2 is another perspective view of the firing bolt tip of FIG. 1.
 FIG. 3 is a front view of the firing bolt tip of FIG. 1.
 FIG. 4 is a back side view of the firing bolt tip of FIG. 1.
 FIG. 5 is a side, top and bottom view of the firing bolt tip of FIG. 1.
 FIG. 6 is a perspective view of a firing bolt tip.
 FIG. 7 is another perspective view of the firing bolt tip of FIG. 6.
 FIG. 8 is a front view of the firing bolt tip of FIG. 6.
 FIG. 9 is a back side view of the firing bolt tip of FIG. 6; and,
 FIG. 10 is a side, top and bottom view of the firing bolt tip of FIG. 6.

1 Claim, 10 Drawing Sheets



US D763,974 S

Page 2

(56)

References Cited

U.S. PATENT DOCUMENTS

D699,303 S * 2/2014 Coulter D21/573
D709,140 S * 7/2014 Coulter D21/573
D715,378 S * 10/2014 Coulter D21/573

D728,698 S * 5/2015 Evans D21/573
2003/0168053 A1 * 9/2003 Farrell F41A 11/06
124/76
2005/0000505 A1 * 1/2005 Pedicini F04B 9/02
124/63

* cited by examiner

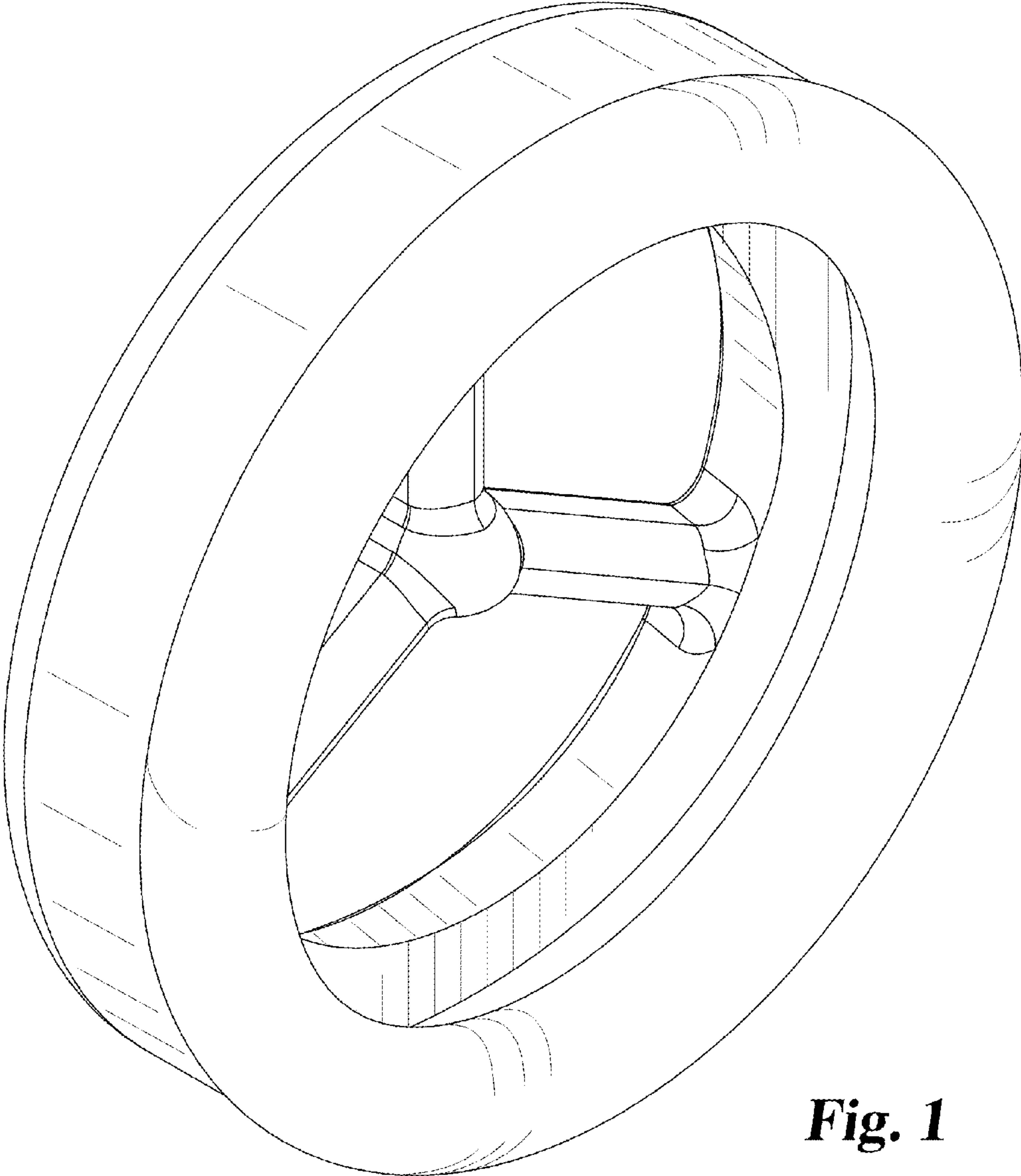


Fig. 1

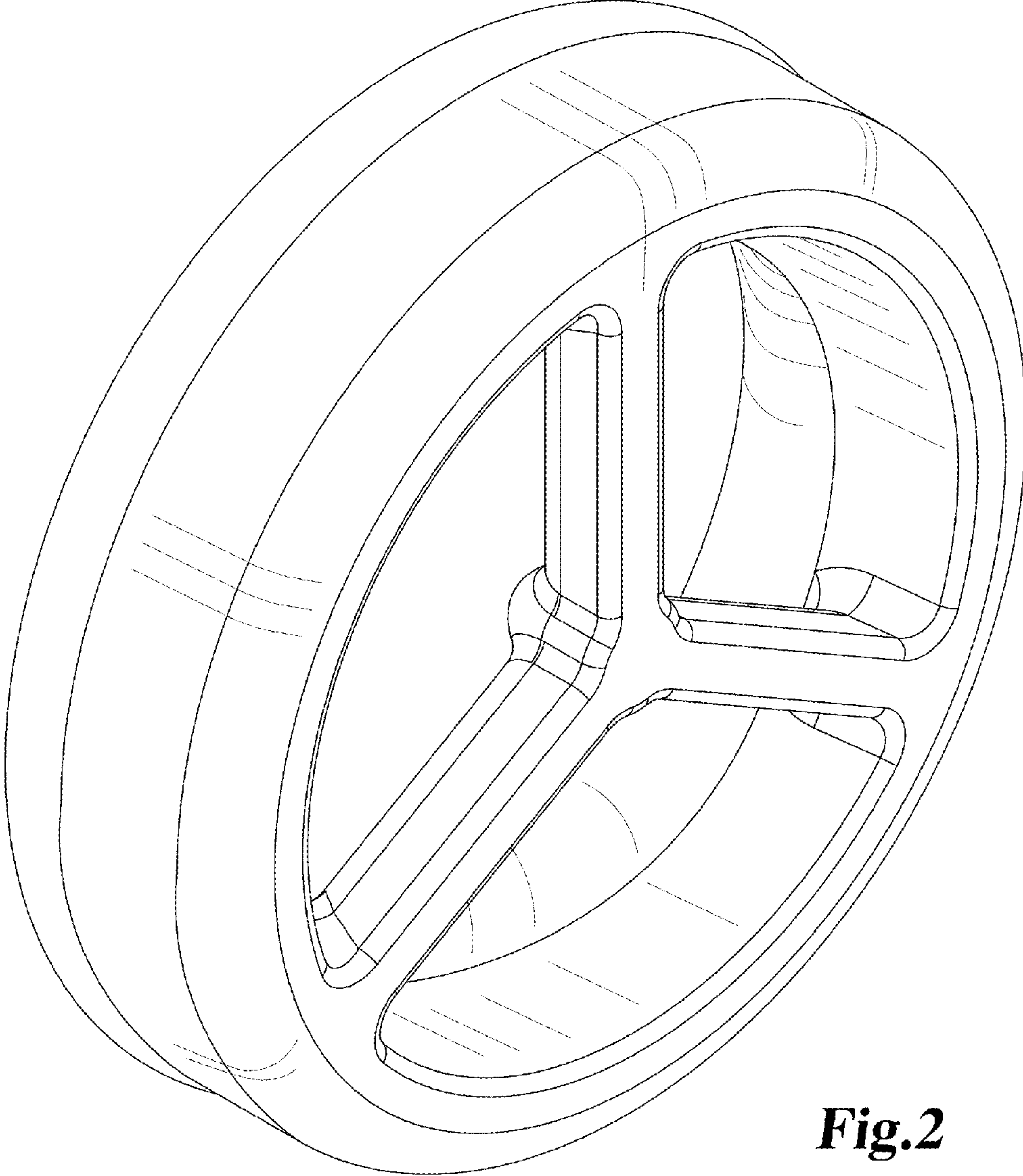


Fig.2

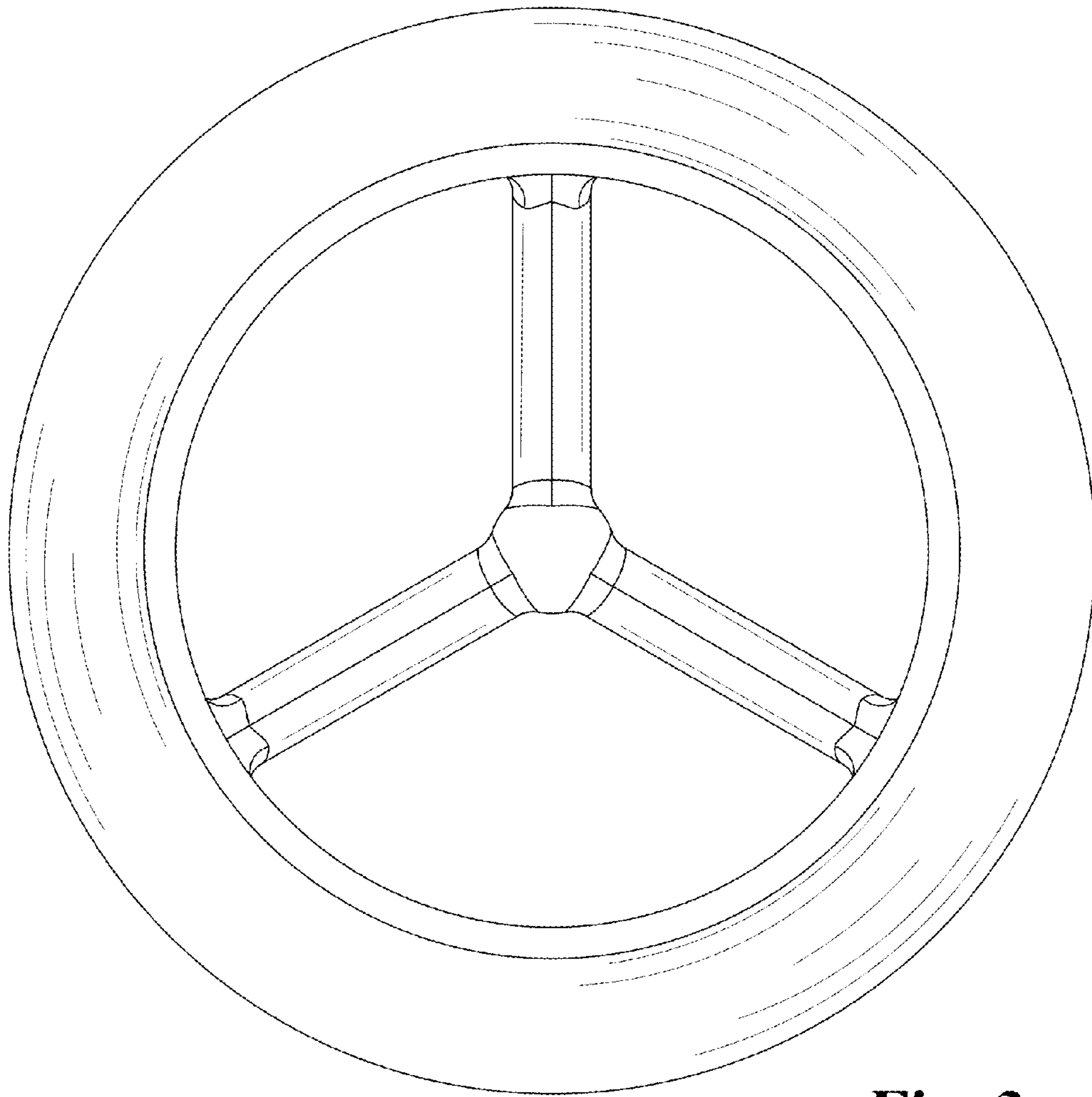


Fig. 3

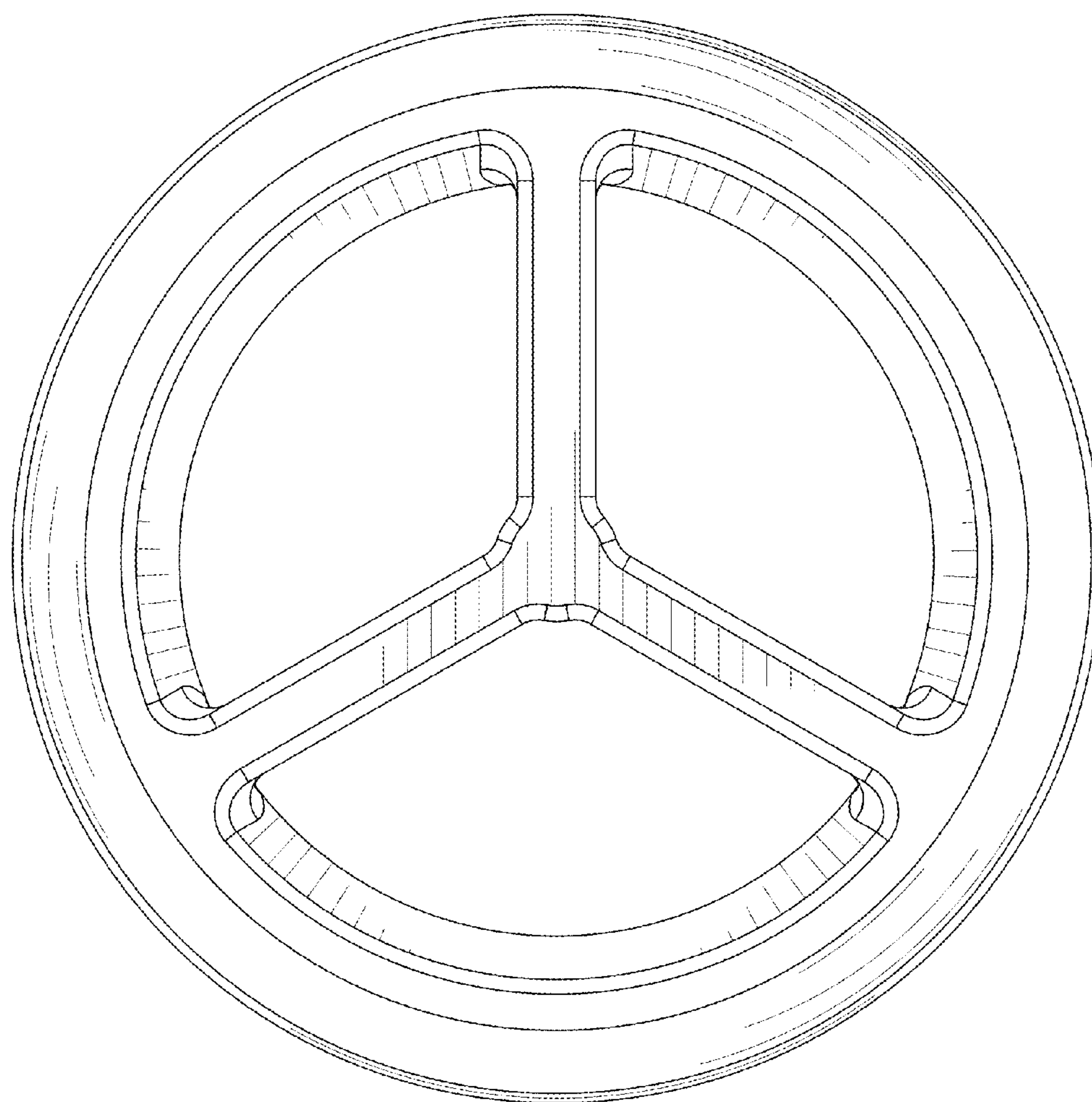


Fig. 4

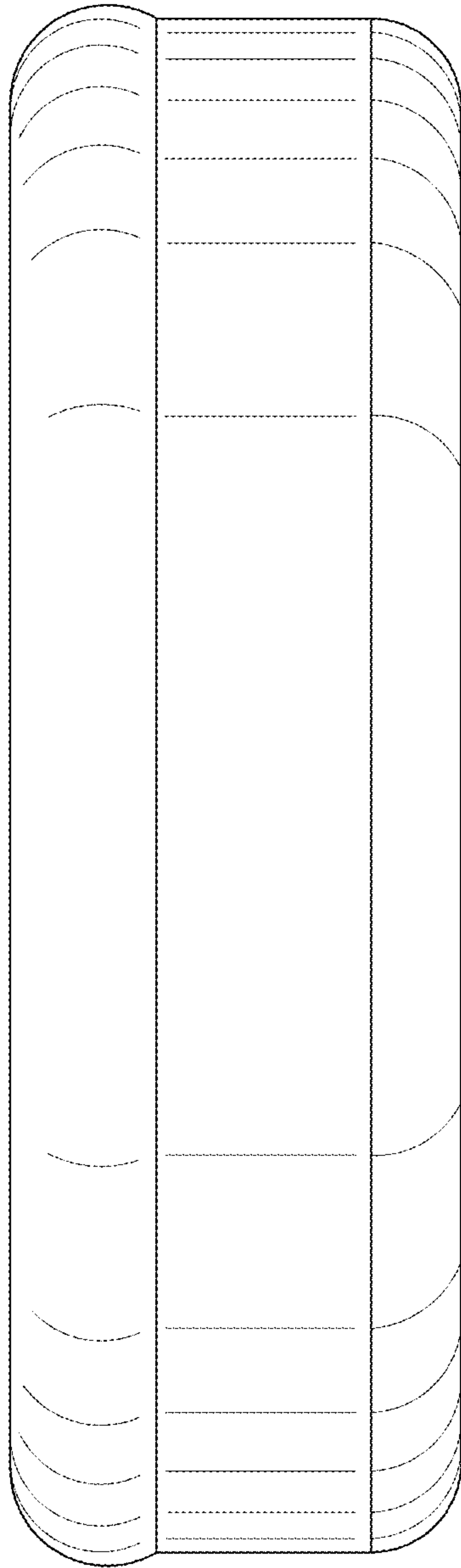


Fig. 5

REPLACEMENT SHEET

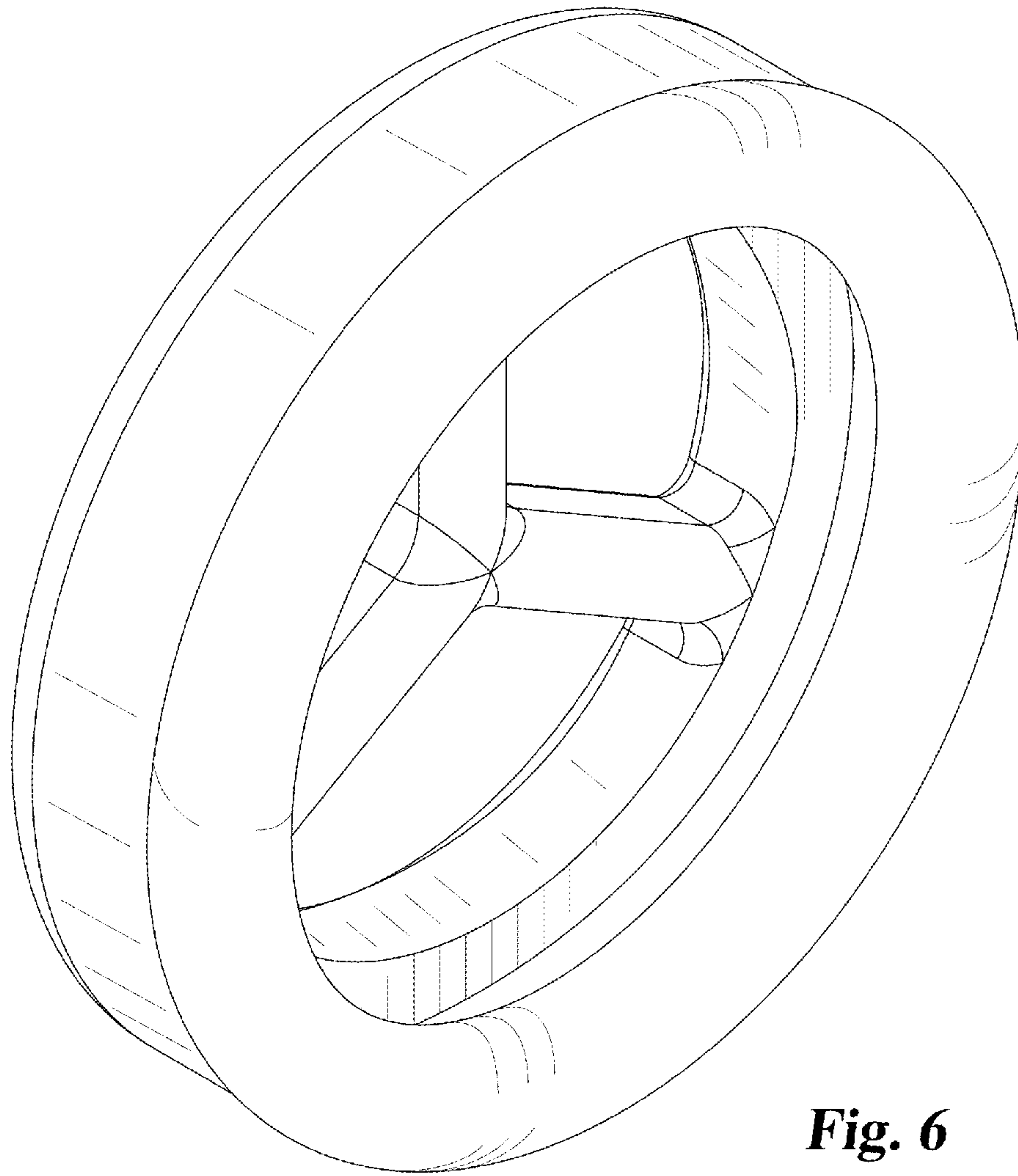


Fig. 6

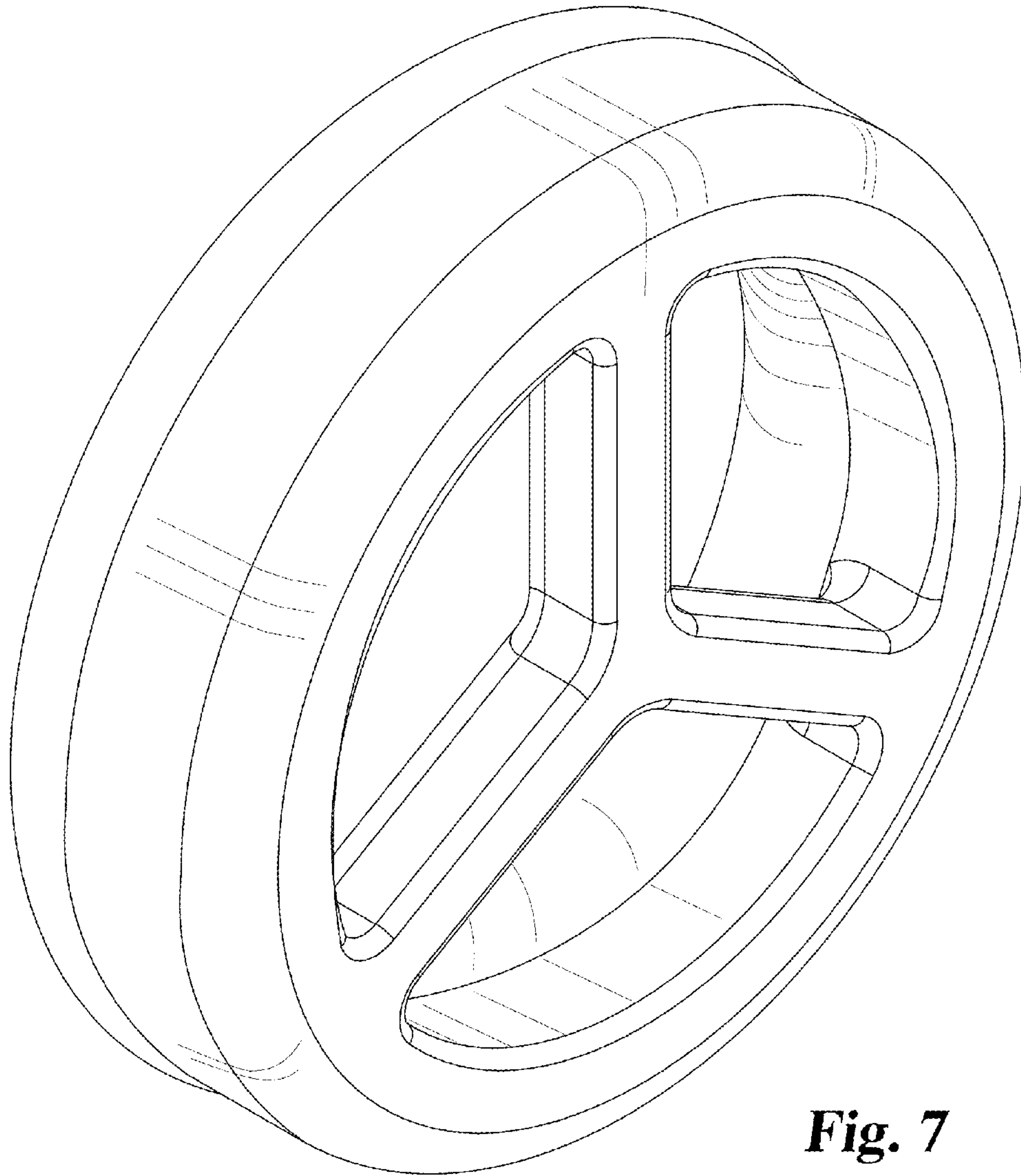


Fig. 7

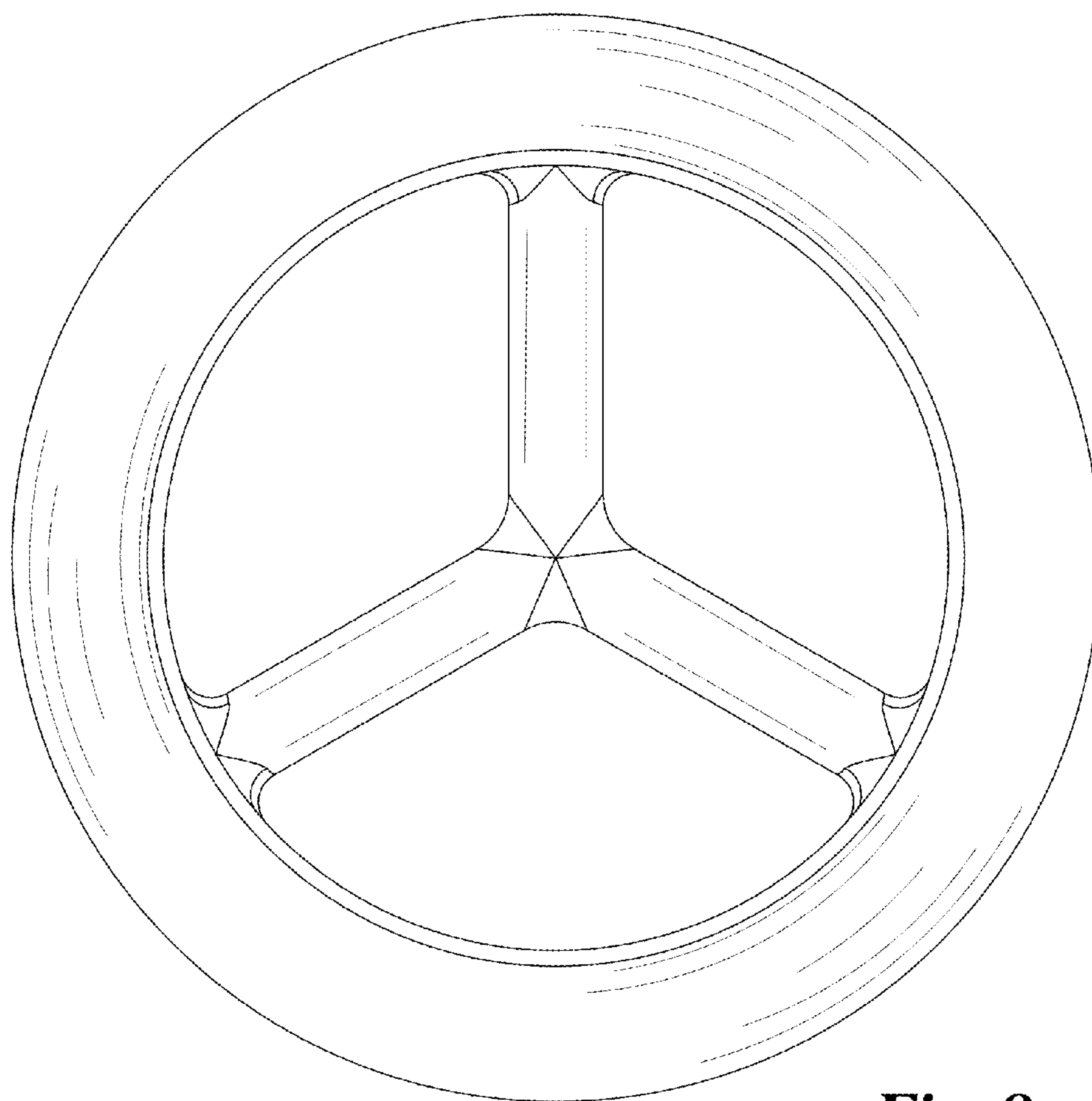


Fig. 8

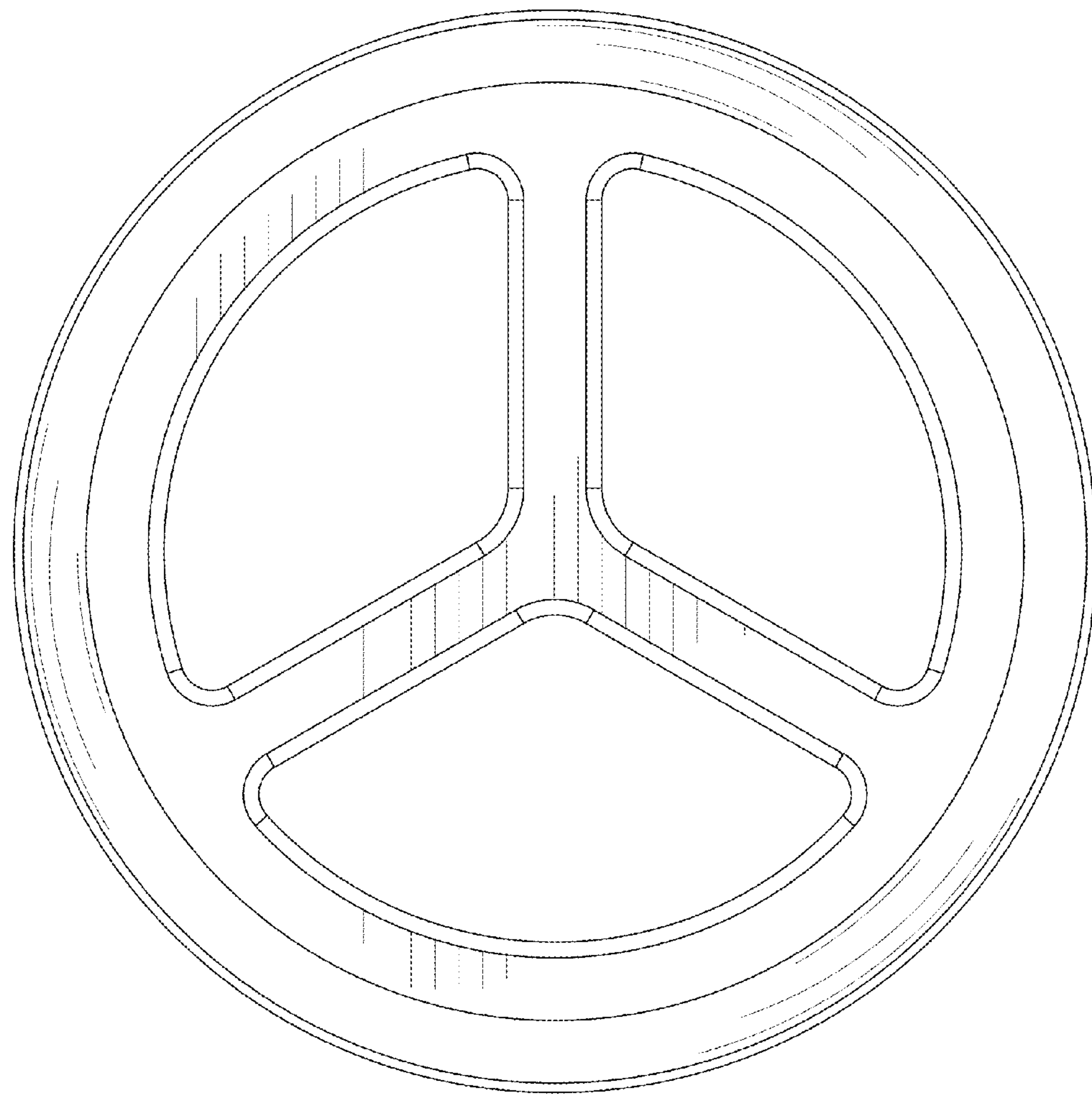


Fig. 9

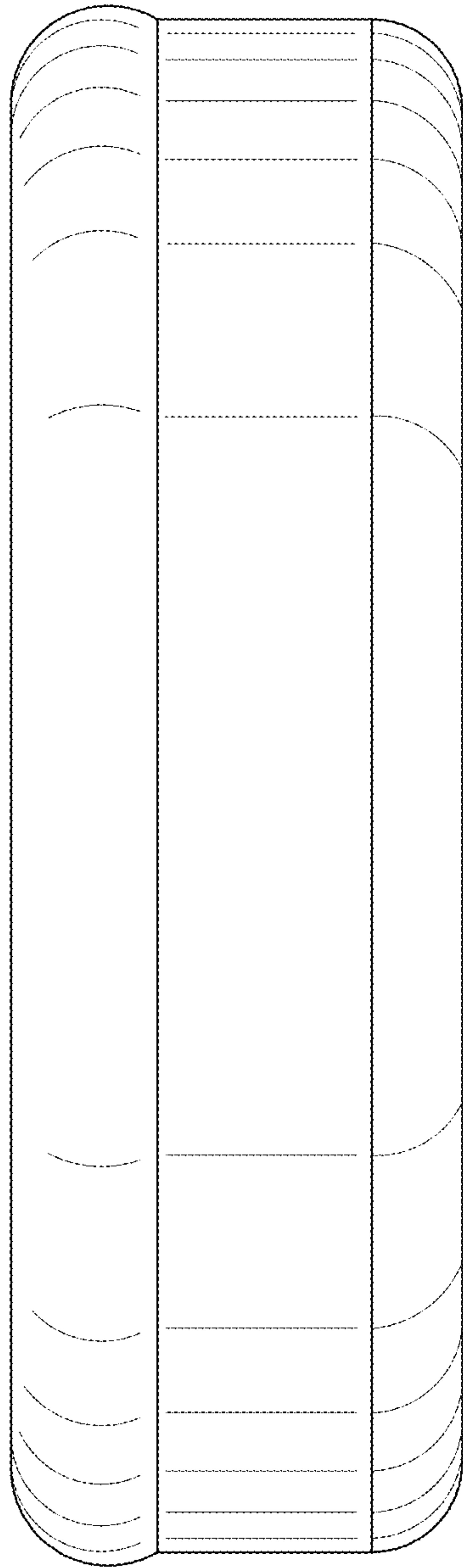


Fig. 10