



US00D763972S

(12) **United States Design Patent**
Kiribuchi

(10) **Patent No.:** **US D763,972 S**
(45) **Date of Patent:** **** Aug. 16, 2016**

(54) **TOY BUILDING BLOCK**

(71) Applicant: **People Co., Ltd.**, Chuo-ku (JP)

(72) Inventor: **Chizuko Kiribuchi**, Chuo-ku (JP)

(73) Assignee: **People Co., Ltd.**, Chuo-ku (JP)

(**) Term: **14 Years**

(21) Appl. No.: **29/517,285**

(22) Filed: **Feb. 11, 2015**

(30) **Foreign Application Priority Data**

Aug. 22, 2014 (JP) D2014-018355

(51) **LOC (10) Cl.** **21-01**

(52) **U.S. Cl.**
USPC **D21/499**

(58) **Field of Classification Search**

USPC D21/333, 373, 386, 389, 404, 468, 470,
D21/471, 475, 484-505; 446/69, 85,
446/102-128; 434/167, 208, 259, 403;
273/153, 156, 160; D3/304, 314;
D24/101; D9/640; 220/23.4; 40/720
CPC A63H 33/04; A63H 33/06; A63H 33/062;
A63H 33/08; A63H 33/088; A63F 9/12;
A63F 9/1224

See application file for complete search history.

(56) **References Cited**

U.S. PATENT DOCUMENTS

D413,636 S * 9/1999 Laserna Fernandez D21/499
6,062,937 A * 5/2000 Kikuchi A63H 33/042
446/484
7,507,136 B2 * 3/2009 Patton A63H 33/046
335/285
D614,248 S * 4/2010 Pedersen D21/499
D616,045 S * 5/2010 Tervo D21/499

D645,468 S * 9/2011 Skulina D14/388
D698,869 S * 2/2014 Strzelewicz D21/499
8,888,552 B2 * 11/2014 Wizenberg A63H 33/086
446/102
2006/0111010 A1 * 5/2006 Park A63H 33/046
446/92
2008/0139077 A1 * 6/2008 Patton A63H 33/046
446/92
2009/0298382 A1 * 12/2009 Ochi A63H 33/086
446/121
2010/0120322 A1 * 5/2010 Vicentelli A63H 33/046
446/92

* cited by examiner

Primary Examiner — Cynthia M Chin

(74) *Attorney, Agent, or Firm* — Jeremy Jay

(57) **CLAIM**

The ornamental design for a toy building block, as shown and described.

DESCRIPTION

FIG. 1 is a front view of a toy building block including patterns of the present invention.

FIG. 2 is a rear view of the toy building block of FIG. 1.

FIG. 3 is a top plan view of the toy building block of FIG. 1.

FIG. 4 is a bottom view of the toy building block of FIG. 1.

FIG. 5 is a right side view of the toy building block of FIG. 1.

FIG. 6 is a left side view of the toy building block of FIG. 1; and,

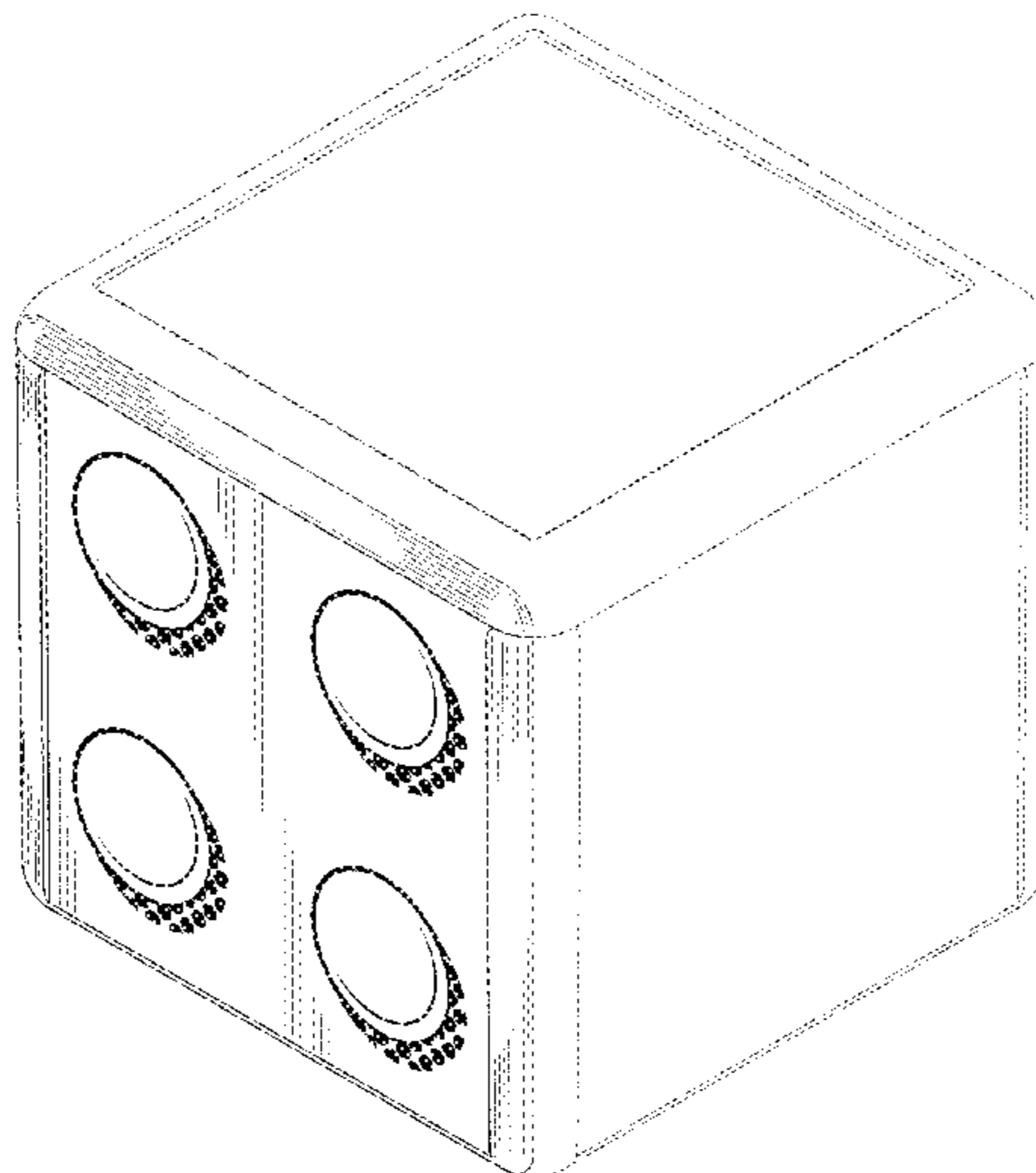
FIG. 7 is a perspective view from front, top and right side of the toy building block of FIG. 1.

The features shown in dotted lines depict environmental subject matter only and form no part of the claimed design.

The front face of the toy block in FIGS. 1 & 7 disclose planar two-dimensional surface ornamentation which consists of a printed pattern.

The broken lines having alternating long and short segments define bounds of the claimed design and form no part thereof.

1 Claim, 7 Drawing Sheets



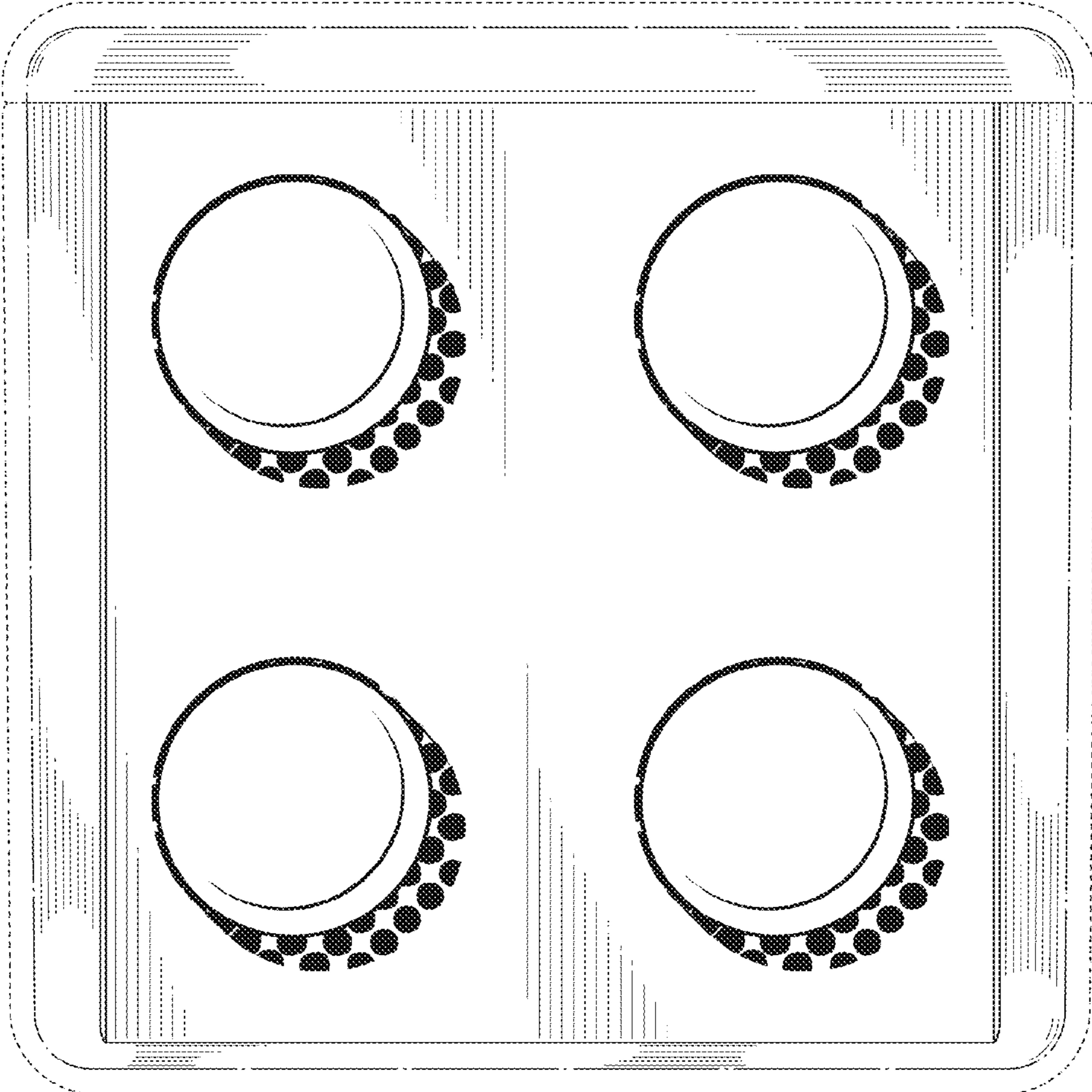


Fig. 1

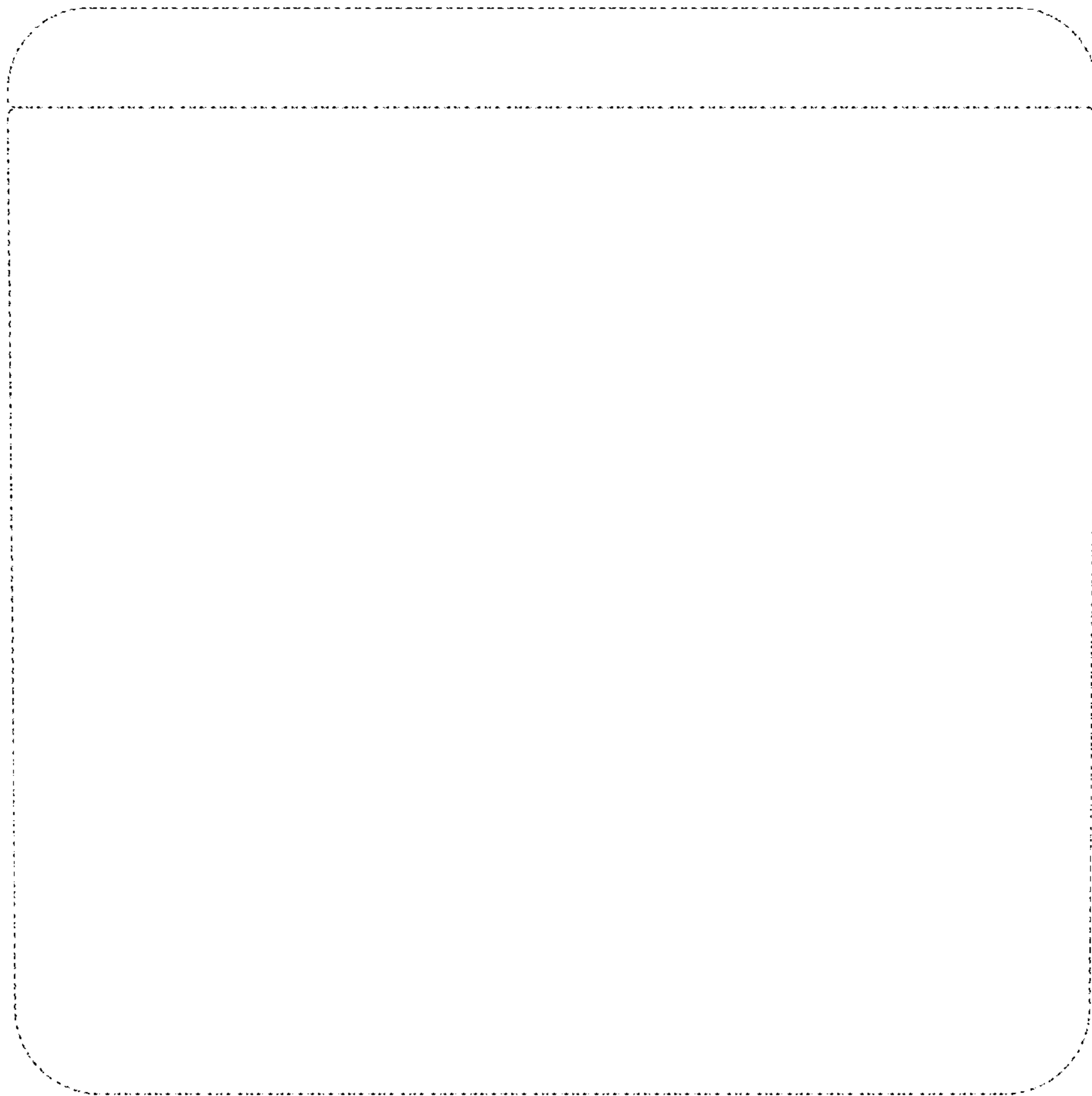


Fig.2

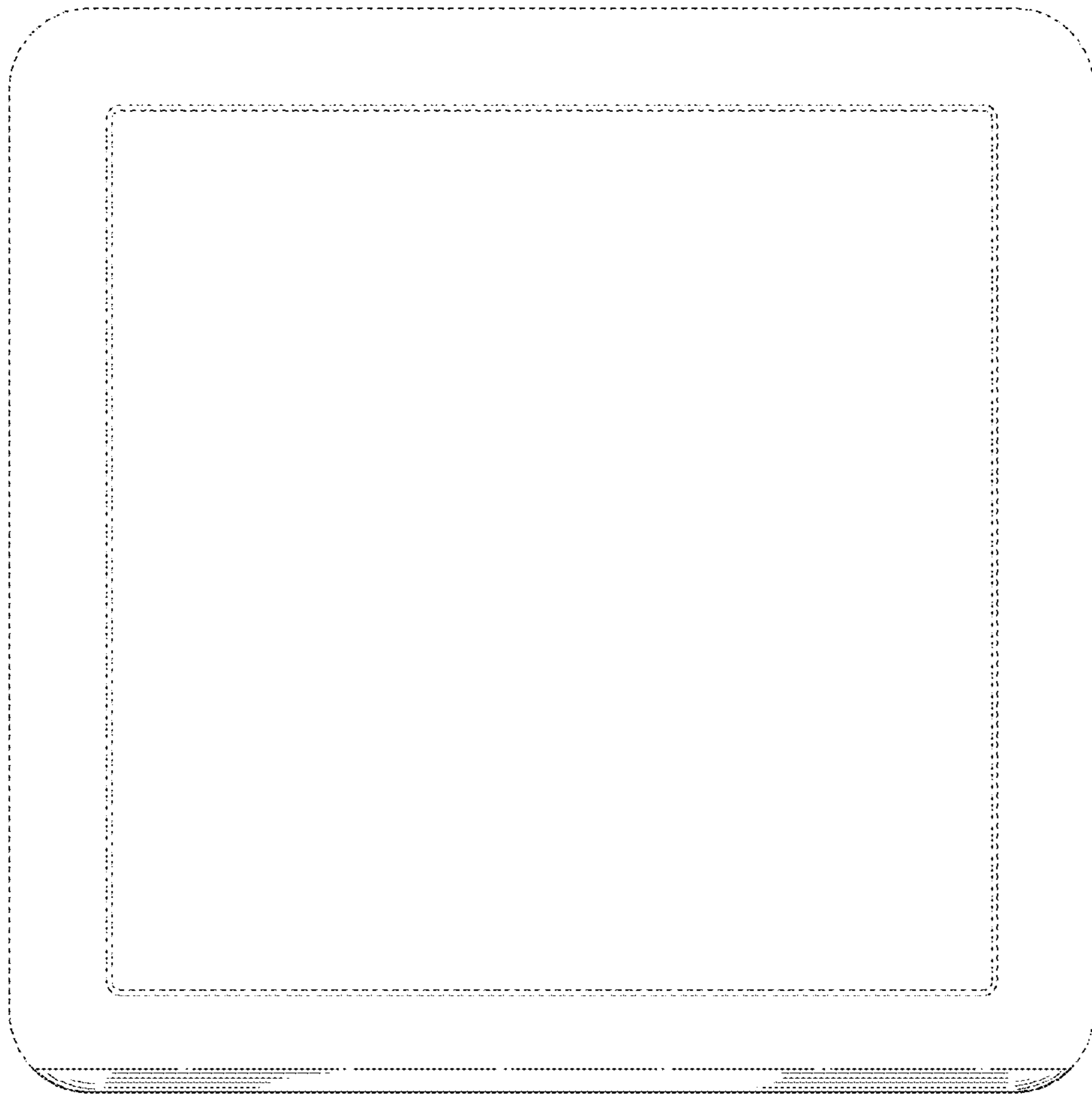


Fig.3

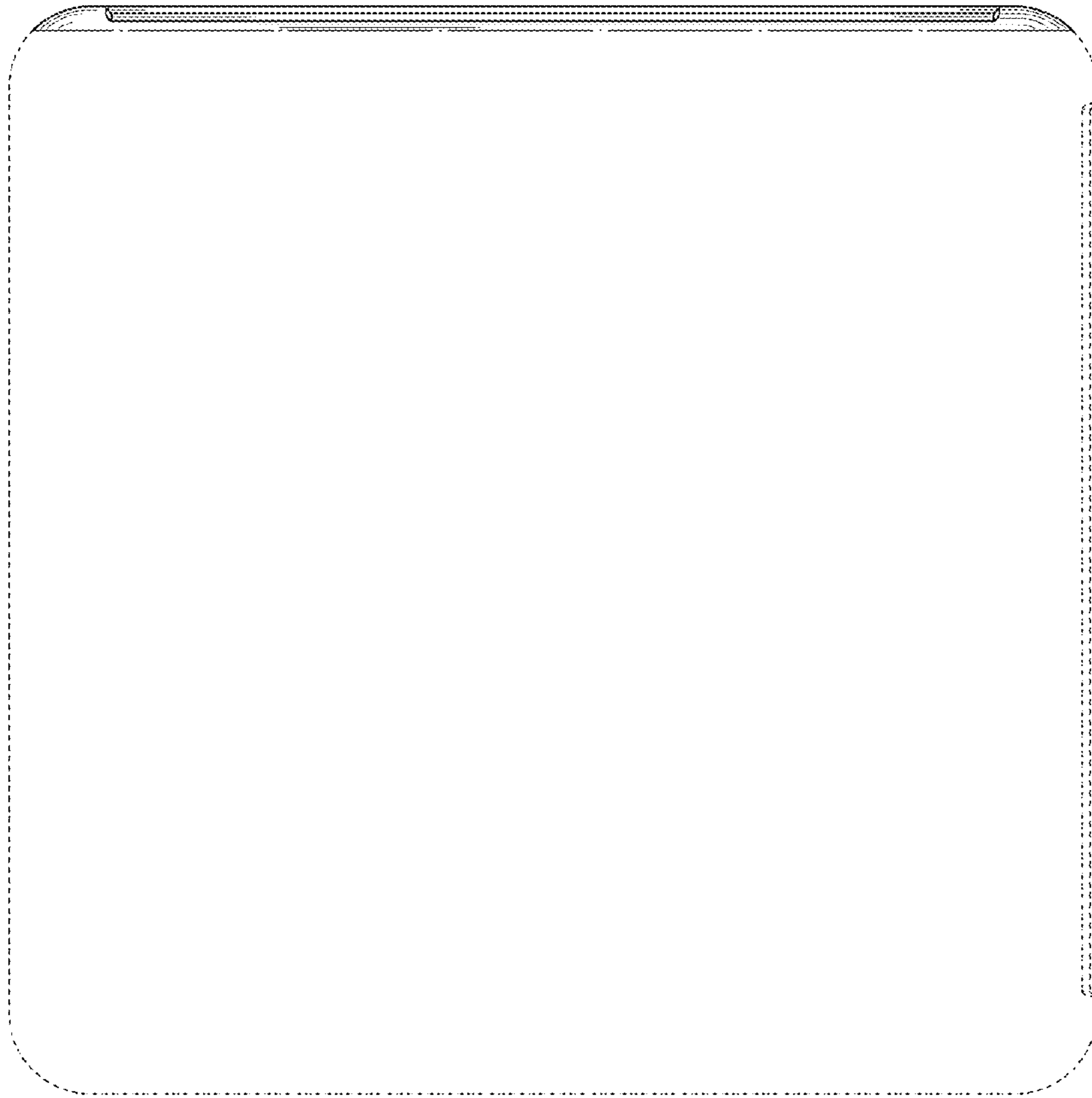


Fig.4

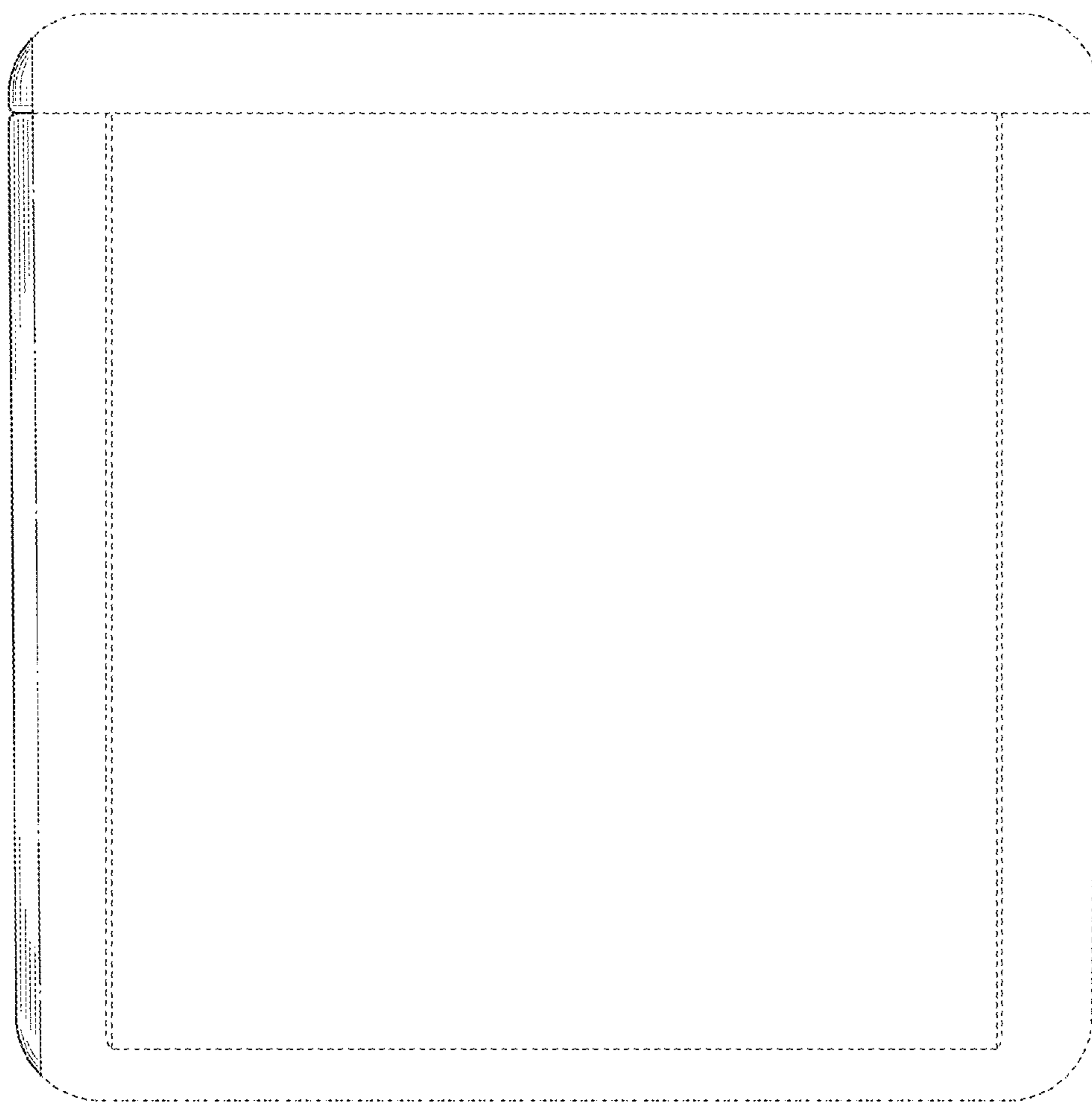


Fig.5

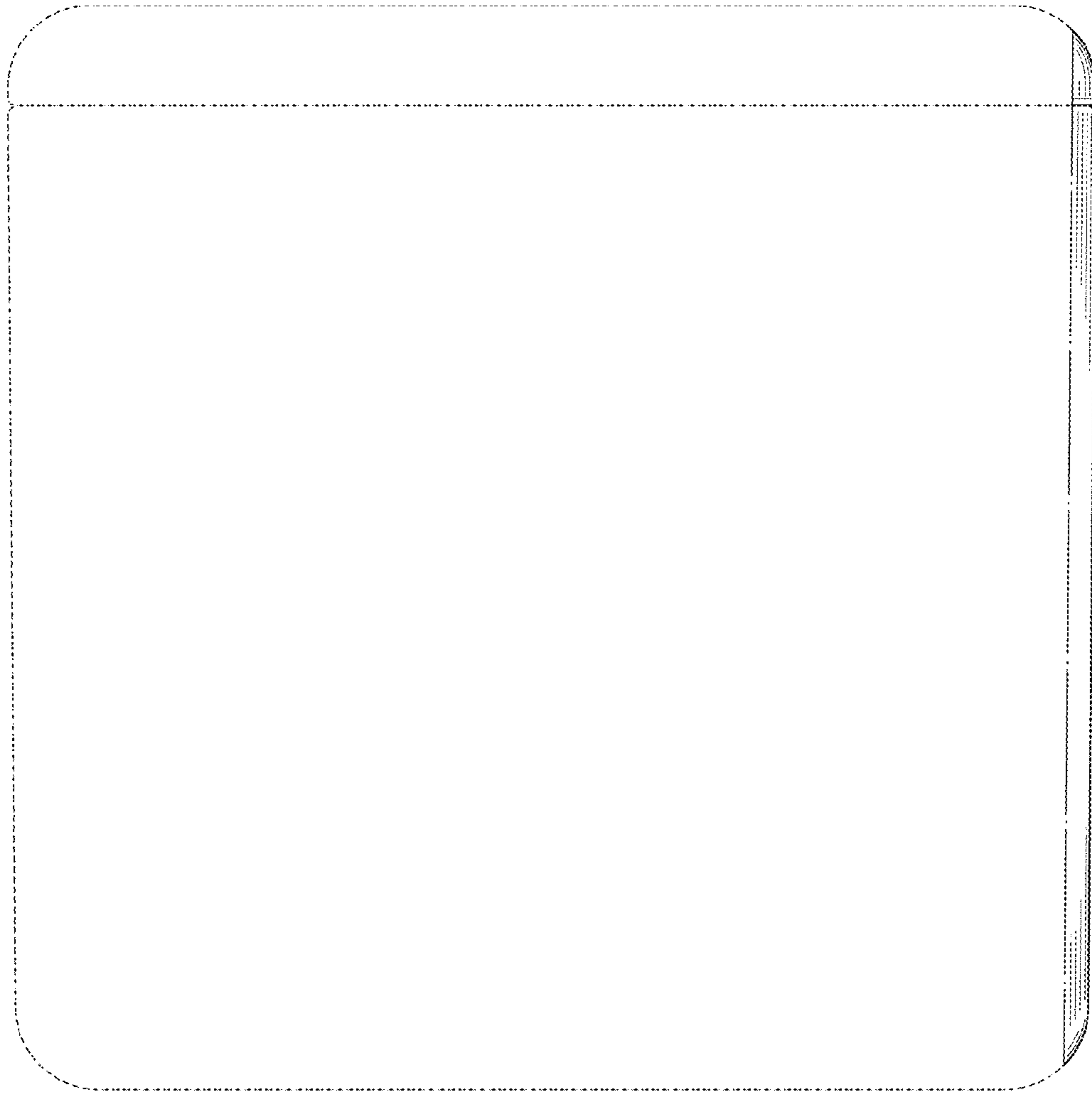


Fig.6

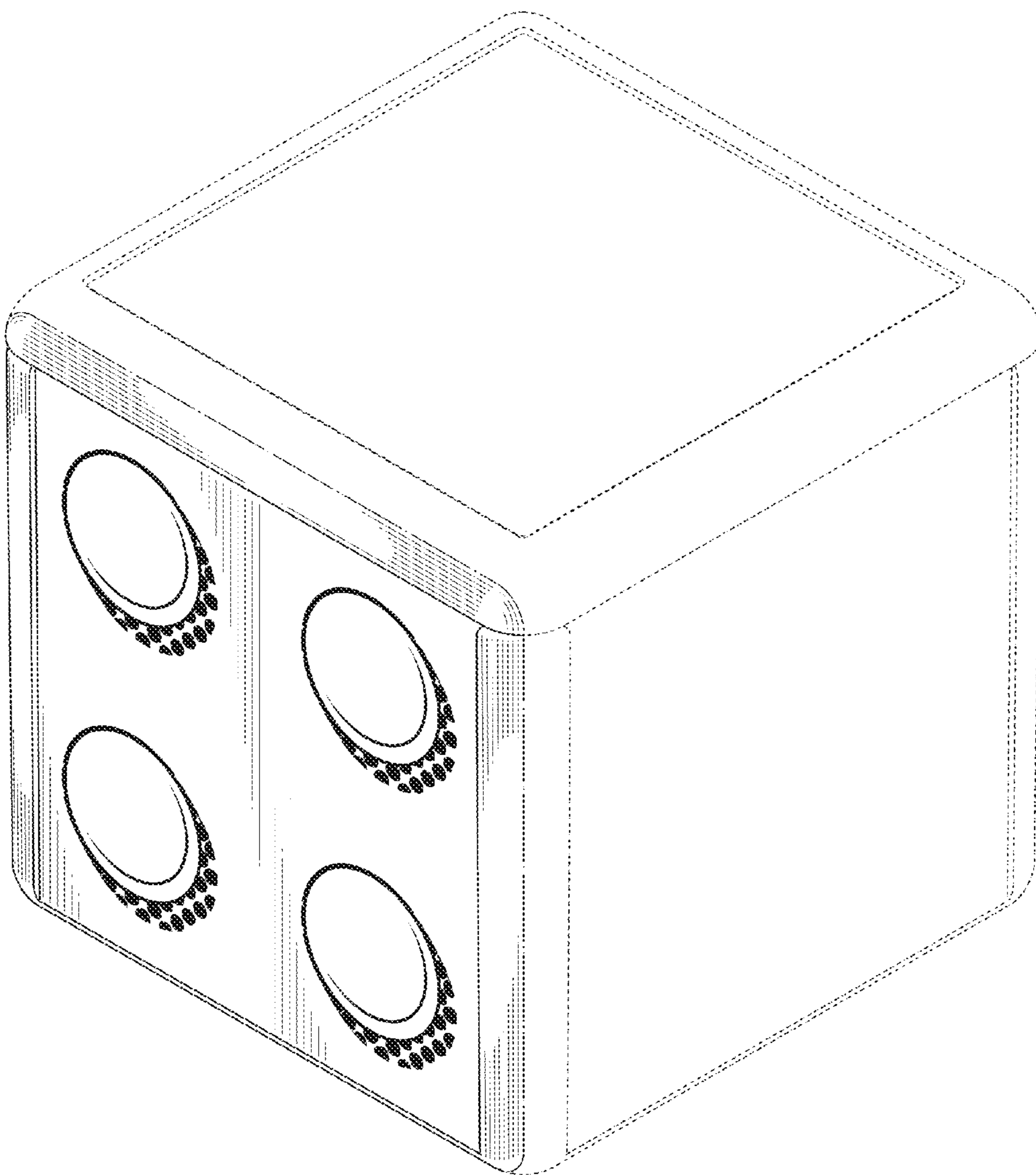


Fig.7