



US00D763967S

(12) **United States Design Patent**
Kujawski et al.

(10) **Patent No.:** **US D763,967 S**
(45) **Date of Patent:** **** Aug. 16, 2016**

(54) **THUMBSTICK ATTACHMENT FOR A CONTROLLER**

(71) Applicant: **Microsoft Corporation**, Redmond, WA (US)

(72) Inventors: **Christopher Kujawski**, Seattle, WA (US); **Kenneth Jasinski**, Seattle, WA (US); **Carl J. Ledbetter**, Mercer Island, WA (US)

(73) Assignee: **Microsoft Corporation**, Redmond, WA (US)

(**) Term: **15 Years**

(21) Appl. No.: **29/530,115**

(22) Filed: **Jun. 12, 2015**

(51) **LOC (10) Cl.** **21-01**

(52) **U.S. Cl.**
USPC **D21/333**; D14/401; D14/432

(58) **Field of Classification Search**
USPC D14/496, 401, 435, 474, 483, 217, 137, D14/138, 160, 168, 356, 203.1–203.8, 507; 345/156, 169, 173–179, 905; 715/727–729, 864, 700, 706, 719; 710/1, 5, 8; 713/1, 600; 455/1.1, 1.7, 455/73, 344–347, 93, 95, 3.01–3.06, 550.1, 455/573.1; 370/342–344; 369/1, 2, 6–12; 463/51–57, 40–47, 1, 29–35; D21/324, D21/328, 333; 273/148 B
CPC A63F 13/00; A63F 13/02; A63F 9/00; G06F 17/00; G06F 19/00
See application file for complete search history.

(56) **References Cited**

U.S. PATENT DOCUMENTS

D398,214 S 9/1998 Yui
D424,047 S 5/2000 Chan
D435,551 S 12/2000 Hayes

D449,042 S 10/2001 Chung
D453,932 S 2/2002 Han et al.
6,463,159 B1 10/2002 Ming-Cheng
D467,922 S 12/2002 Lee
6,743,100 B1 6/2004 Neiser
6,956,559 B2* 10/2005 Hagiwara A63F 13/06
345/156
6,968,070 B1 11/2005 Chiang
D521,015 S 5/2006 Hayes et al.
D522,011 S * 5/2006 Hayes D14/401
D522,012 S 5/2006 Hayes et al.
7,063,321 B2 6/2006 Hussaini et al.
7,105,754 B2 9/2006 Turner
7,195,561 B2 3/2007 Hussaini et al.
D547,763 S * 7/2007 Hayes D14/401
D556,201 S 11/2007 Ashida et al.
D563,480 S 3/2008 Blaseflug et al.
D565,668 S 4/2008 Baseflug et al.
D568,335 S 5/2008 Armstrong et al.
D569,388 S 5/2008 Armstrong et al.
D581,422 S 11/2008 Hayes et al.
7,445,550 B2 11/2008 Barney et al.

(Continued)

Primary Examiner — Prabhakar Deshmukh

(74) *Attorney, Agent, or Firm* — Banner & Witcoff, Ltd.

(57) **CLAIM**

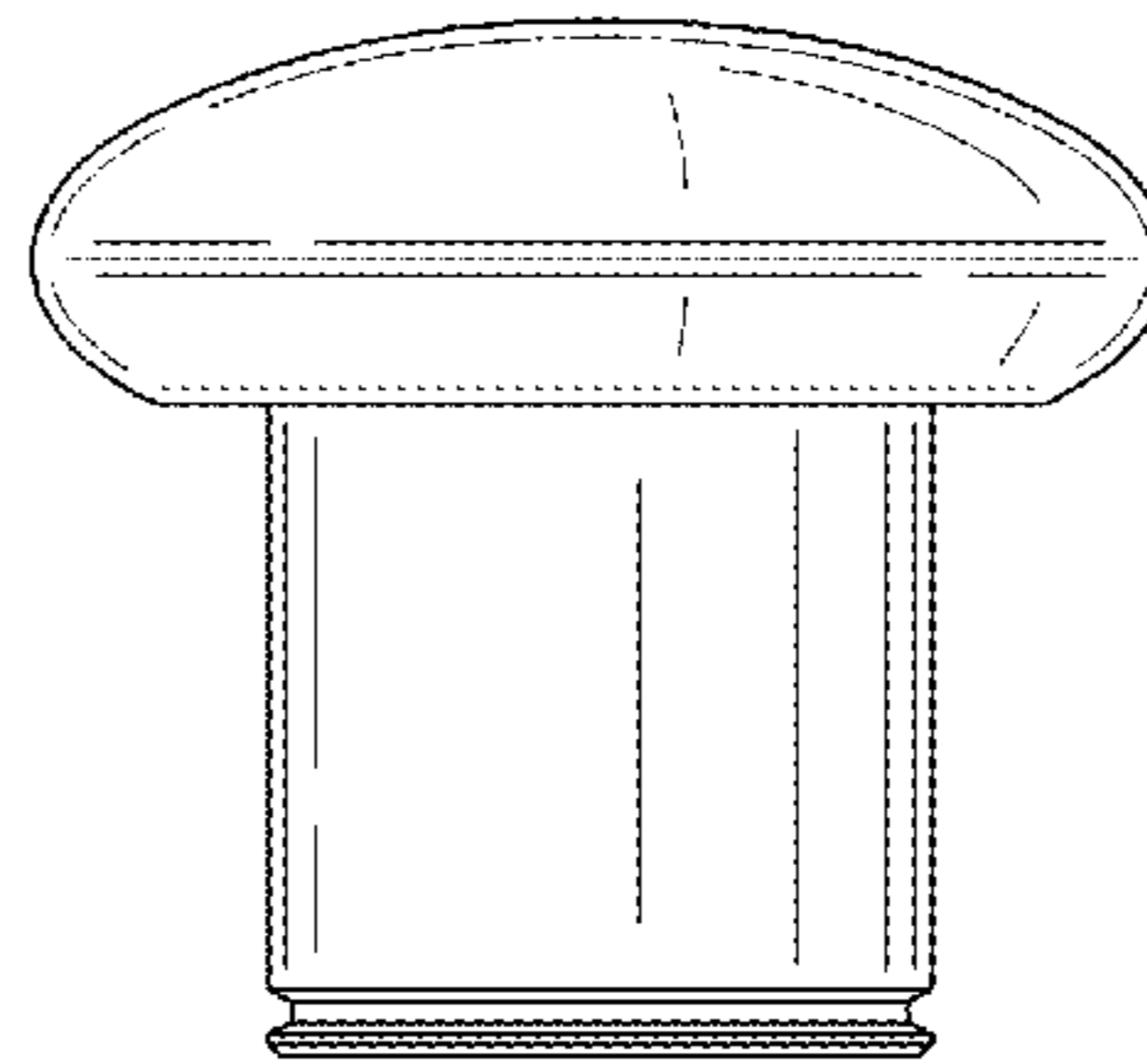
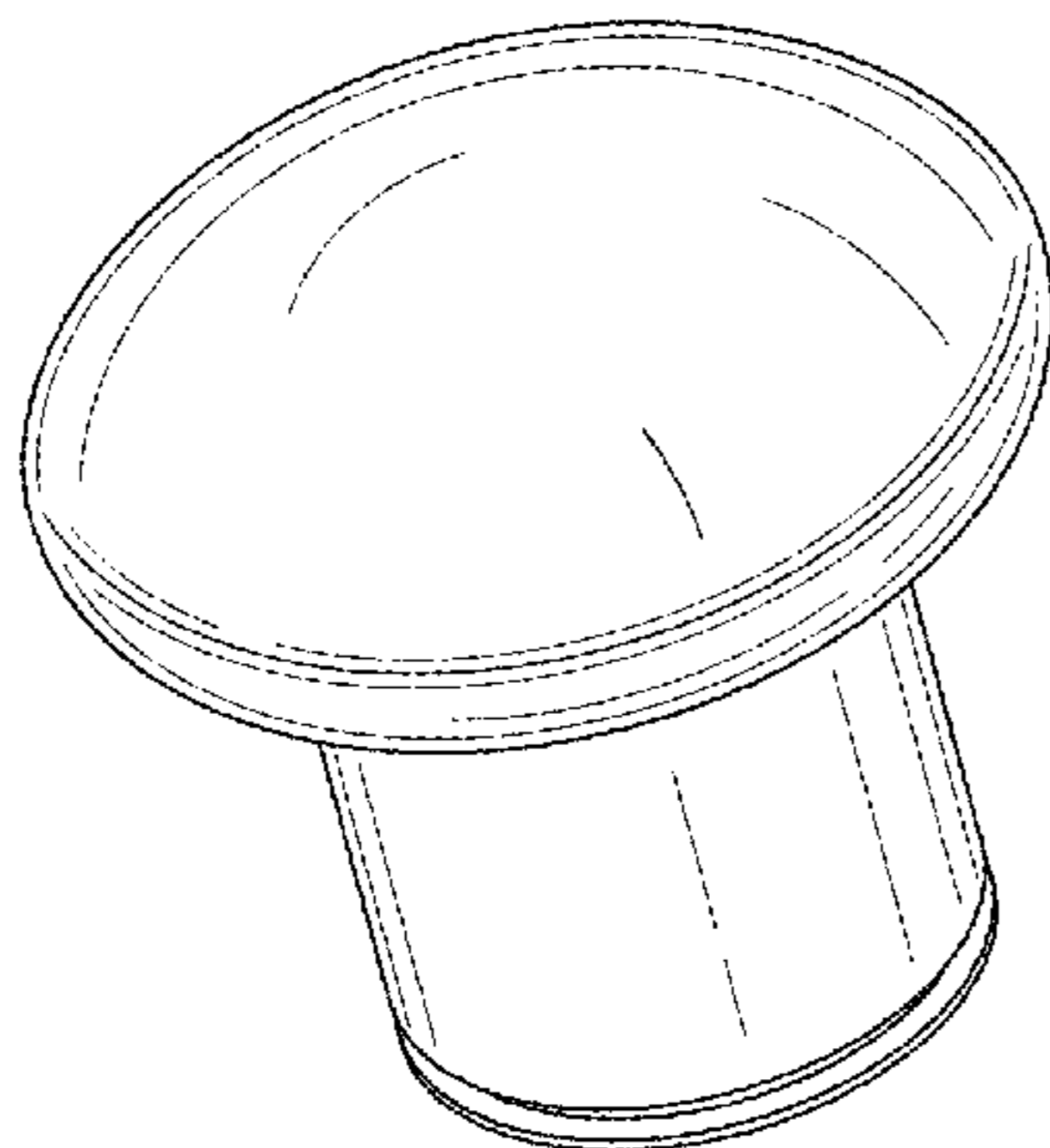
The ornamental design for a thumbstick attachment for a controller, as shown and described.

DESCRIPTION

FIG. 1 is a front perspective view of a thumbstick attachment for a controller showing our new design; FIG. 2 is a top view thereof; FIG. 3 is a bottom view thereof; FIG. 4 is a front view thereof; FIG. 5 is a rear view thereof; FIG. 6 is a right side view thereof; and, FIG. 7 is a left side view thereof.

The broken line showing of the unshaded circular region of the thumbstick attachment for a controller in FIG. 3 is for environmental purposes only and forms no part of the claimed design.

1 Claim, 4 Drawing Sheets



(56)

References Cited

U.S. PATENT DOCUMENTS

D601,564 S	10/2009	Maeno		D685,434 S	7/2013	Ali et al.	
D619,596 S	7/2010	Maitlen et al.		D692,001 S	10/2013	Ibuki et al.	
7,887,768 B2 *	2/2011	Honjo	B01D 53/64	8,545,323 B2 *	10/2013	McVicar	A63F 13/06
			422/168				345/161
D636,773 S *	4/2011	Lin	D14/401	D692,887 S	11/2013	Ibuki et al.	
D637,153 S	5/2011	Ikeda et al.		D694,830 S	12/2013	Crowley et al.	
D638,016 S	5/2011	Ikeda		D700,182 S *	2/2014	Kidakarn	D14/401
D646,275 S	10/2011	Ikeda et al.		D707,758 S *	6/2014	Norman	D14/401
D650,795 S	12/2011	Koehn		D709,498 S	7/2014	Morris et al.	
D655,350 S	3/2012	Taniguchi et al.		D709,499 S	7/2014	Morris et al.	
D658,178 S	4/2012	Ikeda et al.		D709,882 S *	7/2014	Morris	D14/401
D658,179 S	4/2012	Ikeda et al.		D715,865 S *	10/2014	Morris	D21/333
D659,140 S	5/2012	Ikeda et al.		8,903,111 B2 *	12/2014	Garet	345/156
				8,925,414 B1 *	1/2015	Park	B63H 21/21
							137/636.1

* cited by examiner

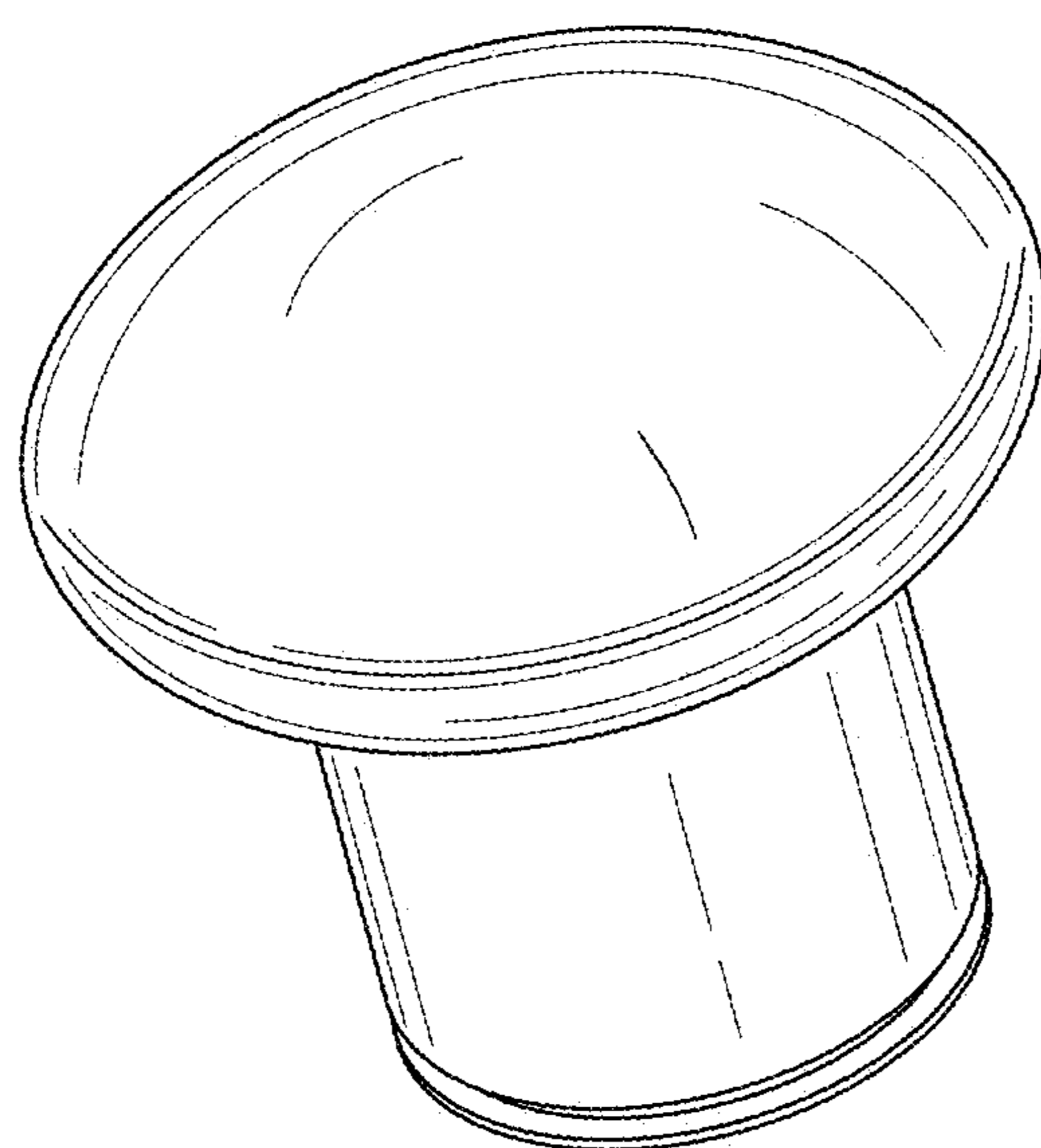


FIG. 1

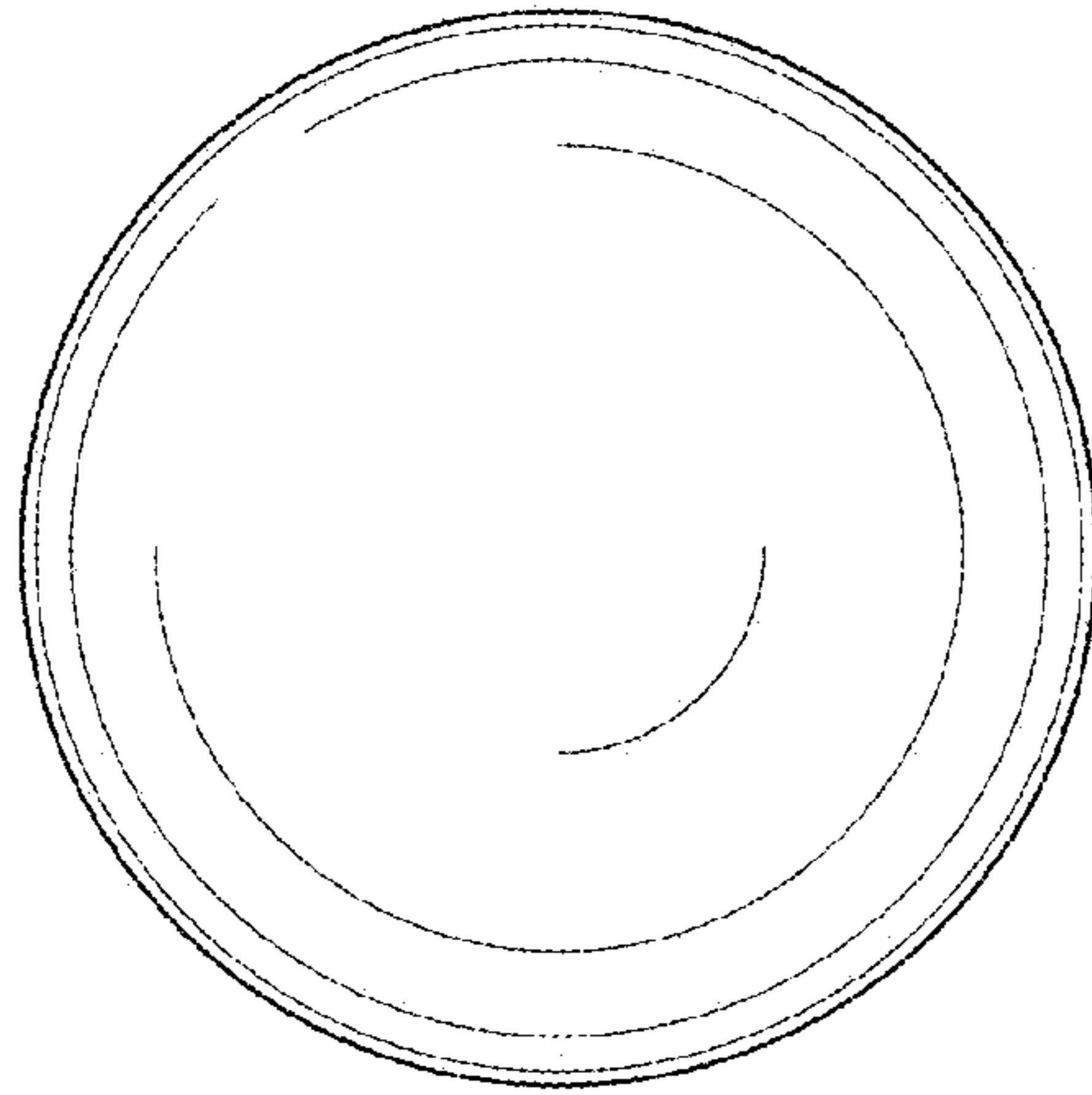


FIG. 2

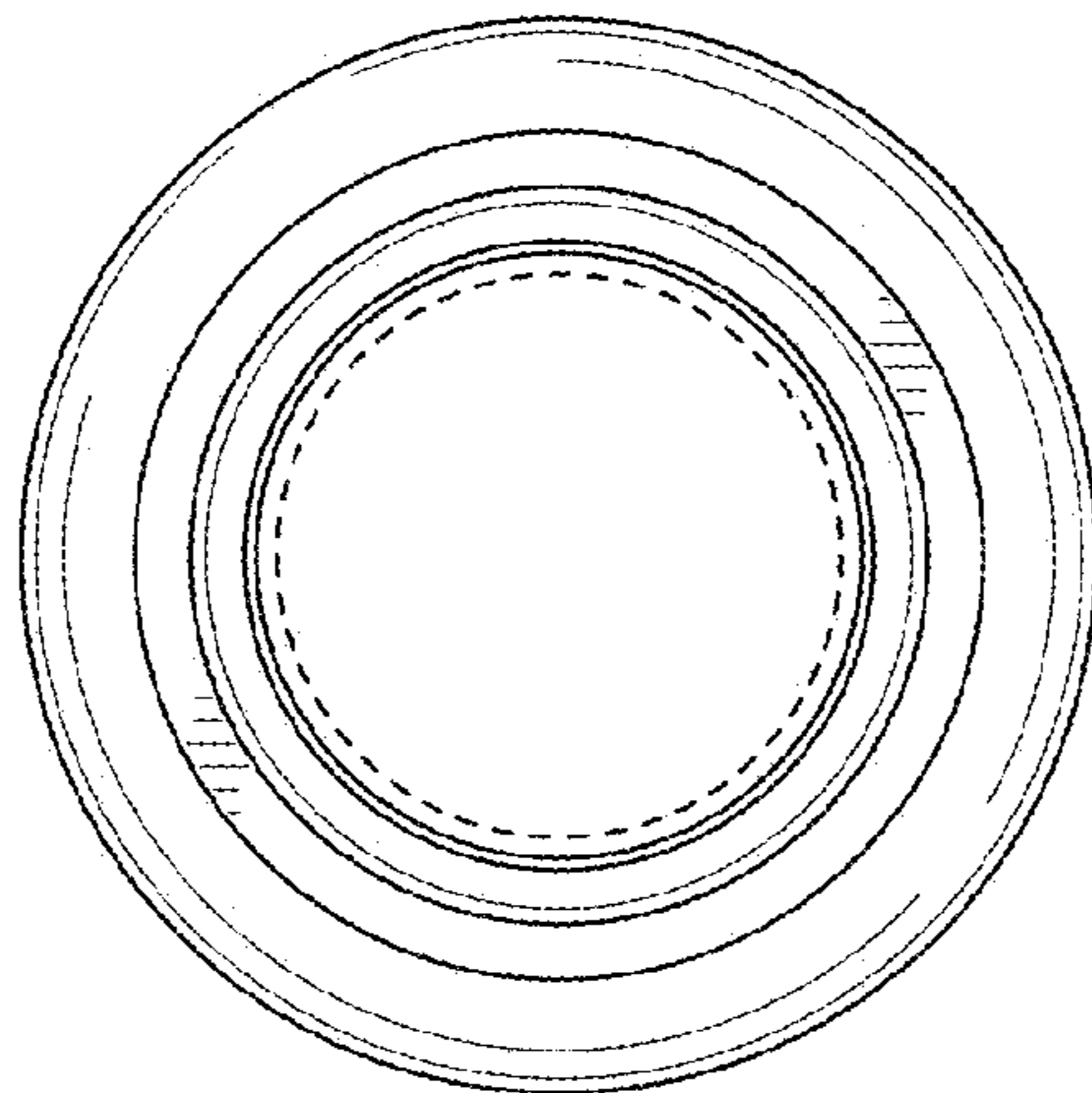


FIG. 3

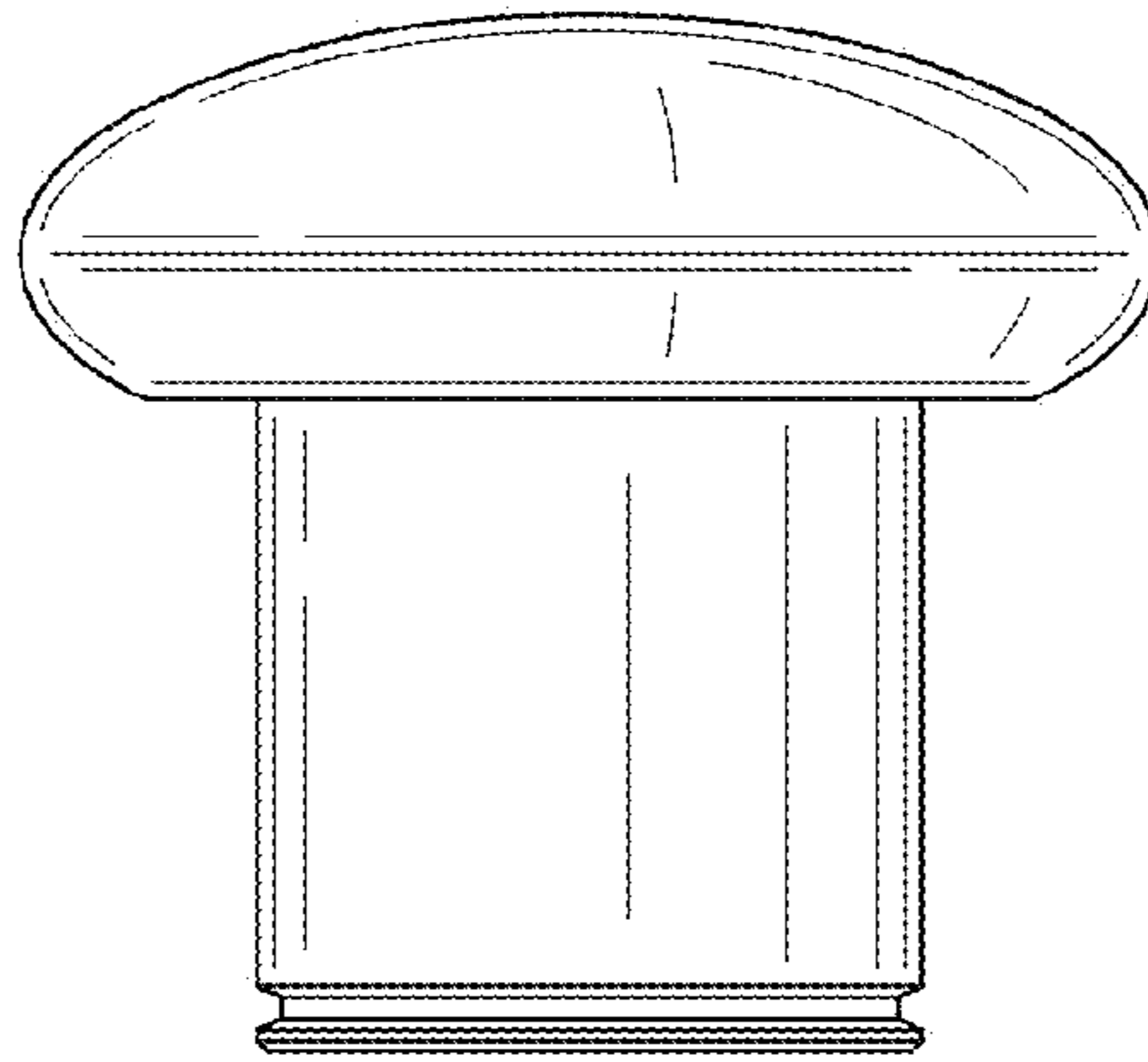


FIG. 4

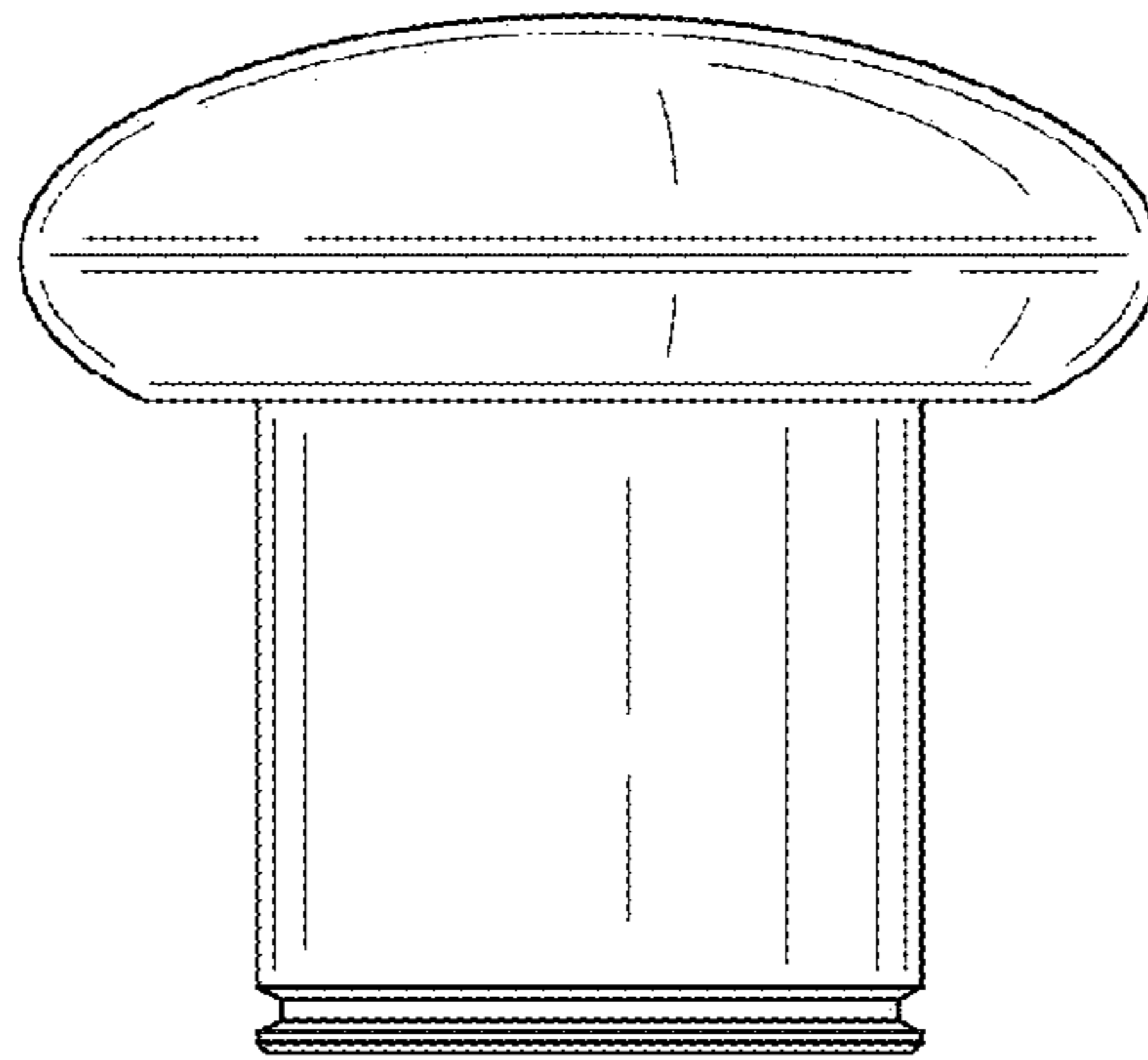


FIG. 5

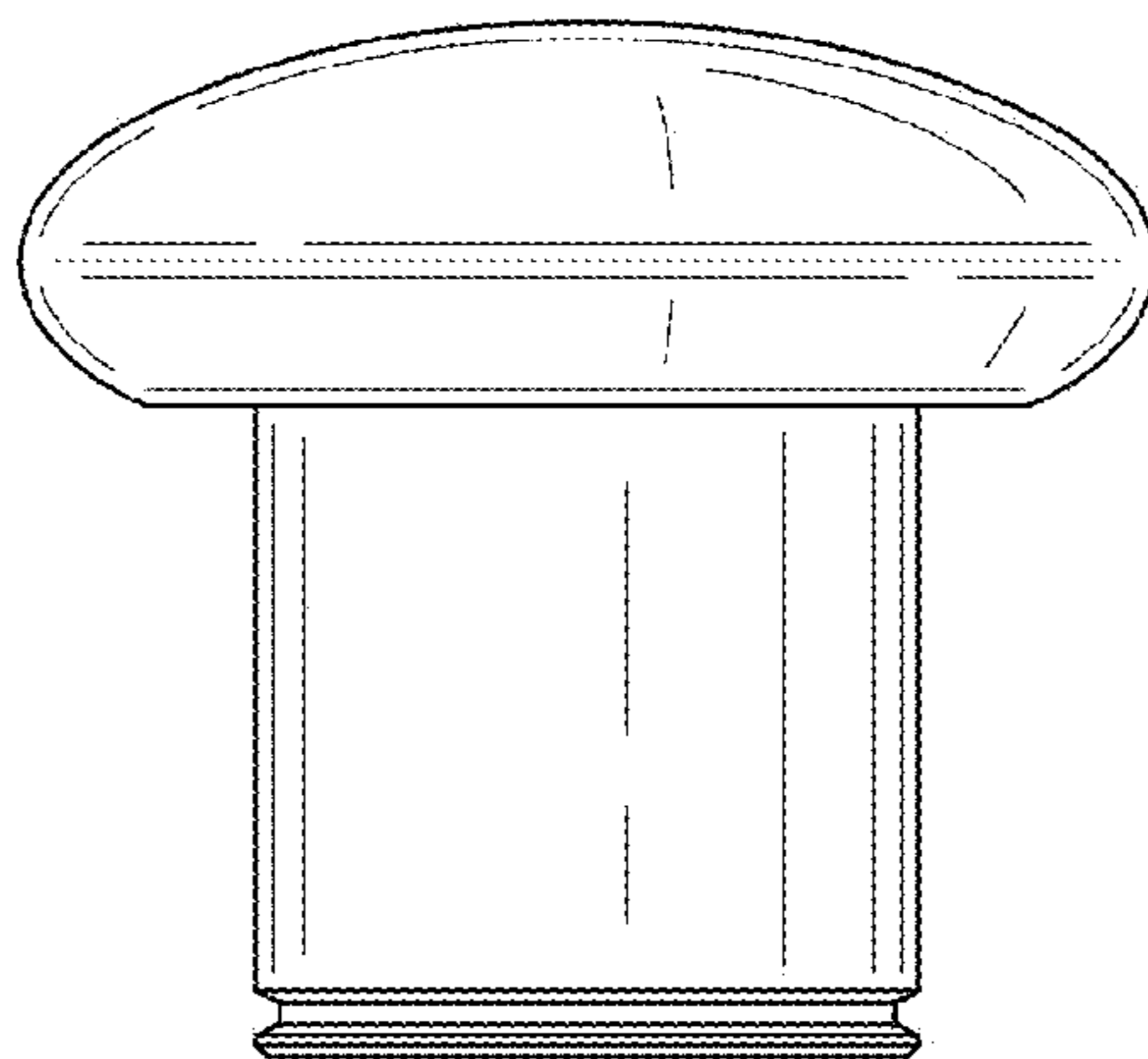


FIG. 6

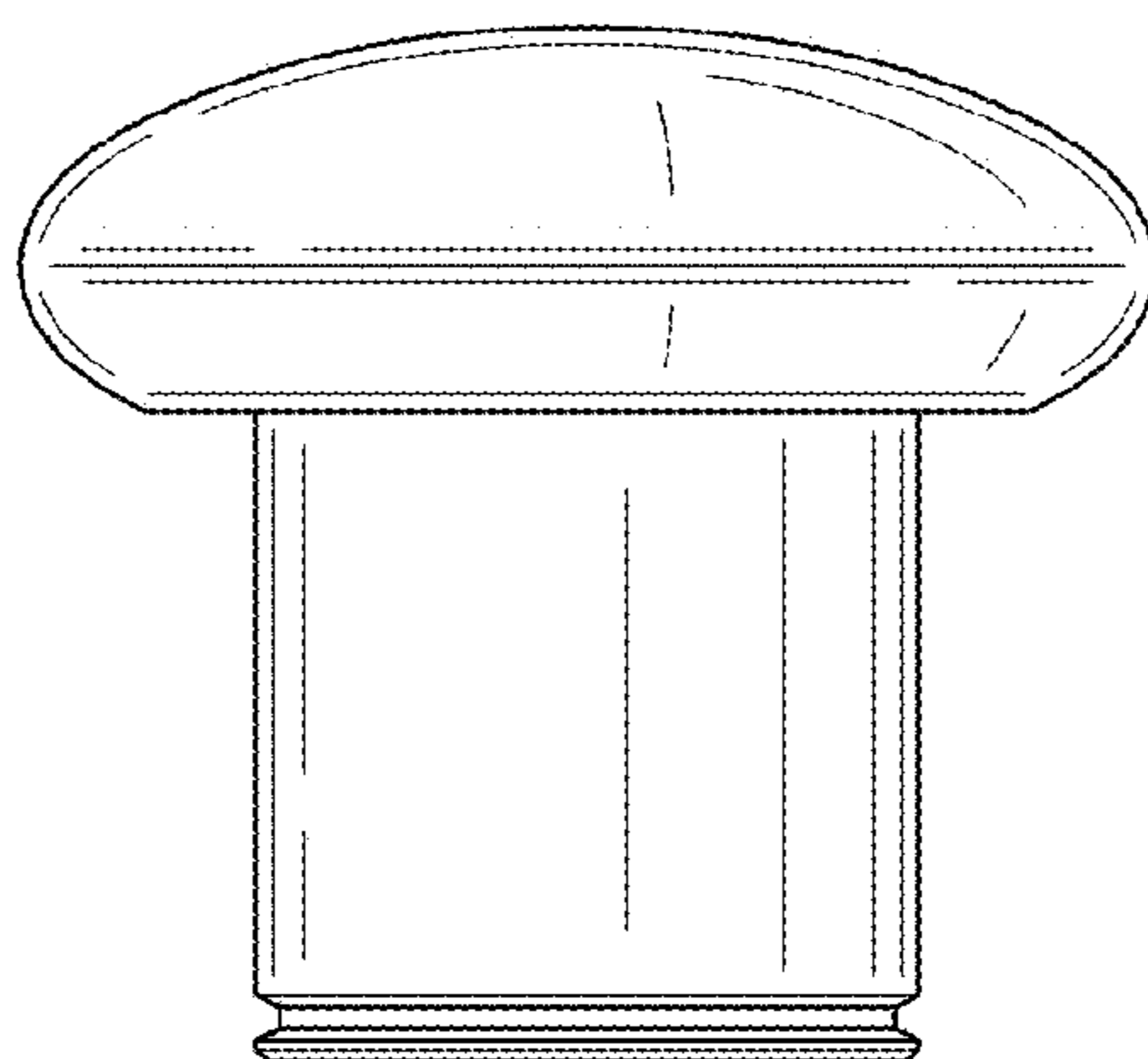


FIG. 7