



US00D763965S

(12) **United States Design Patent**
Mukaide

(10) **Patent No.:** **US D763,965 S**

(45) **Date of Patent:** **** Aug. 16, 2016**

(54) **SIGNAGE DISPLAY**

(71) Applicant: **Panasonic Intellectual Property Management Co., Ltd.**, Osaka (JP)

(72) Inventor: **Masayoshi Mukaide**, Osaka (JP)

(73) Assignee: **Panasonic Intellectual Property Management Co., Ltd.**, Osaka (JP)

(**) Term: **14 Years**

(21) Appl. No.: **29/509,394**

(22) Filed: **Nov. 17, 2014**

(30) **Foreign Application Priority Data**

May 27, 2014 (JP) 2014-011226

(51) **LOC (10) Cl.** **20-03**

(52) **U.S. Cl.**
USPC **D20/42**

(58) **Field of Classification Search**

USPC D20/10, 19, 39-42, 99; D10/109.1, D10/109.2, 113.4; D14/126, 371, 374
CPC G09F 7/00; G09F 7/12; G09F 7/14; G09F 7/16; G09F 2007/122; G09F 9/00; G09F 9/33; G09F 13/00; G09F 13/04; G09F 13/06; G09F 13/18; G09F 13/22; G09F 13/24; G09F 13/26; G09F 2013/1895; G09F 15/00
See application file for complete search history.

(56) **References Cited**

U.S. PATENT DOCUMENTS

D300,642 S * 4/1989 Pawlik D20/10
D424,538 S * 5/2000 Hayashi D14/126
D496,361 S * 9/2004 Hotta D14/374

D541,764 S * 5/2007 Lozano D14/126
D624,598 S * 9/2010 Chida D20/43
D637,651 S * 5/2011 Hase D20/42
D664,211 S * 7/2012 Hase D20/42
D681,740 S * 5/2013 Hase D20/42

FOREIGN PATENT DOCUMENTS

JP D1427723 11/2011
JP D1443638 6/2012

* cited by examiner

Primary Examiner — Mary Ann Calabrese

(74) *Attorney, Agent, or Firm* — Panasonic IP Management; Kerry S. Culpepper

(57) **CLAIM**

I claim the ornamental design for a signage display, as shown and described.

DESCRIPTION

FIG. 1 is a front perspective view of a signage display of the present invention;
FIG. 2 is a rear perspective view thereof;
FIG. 3 is a front view thereof;
FIG. 4 is a rear view thereof;
FIG. 5 is a first side view thereof;
FIG. 6 is a second side view thereof;
FIG. 7 is a top view thereof;
FIG. 8 is a bottom view thereof;
FIG. 9 is an end view taken along the line 9-9 in FIG. 4 with the internal parts being omitted; and
FIG. 10 is an end view taken along the line 10-10 in FIG. 4 with the internal parts being omitted.
The broken line showing of signage display is included for the purpose of illustrating environment and forms no part of the claimed design.

1 Claim, 10 Drawing Sheets

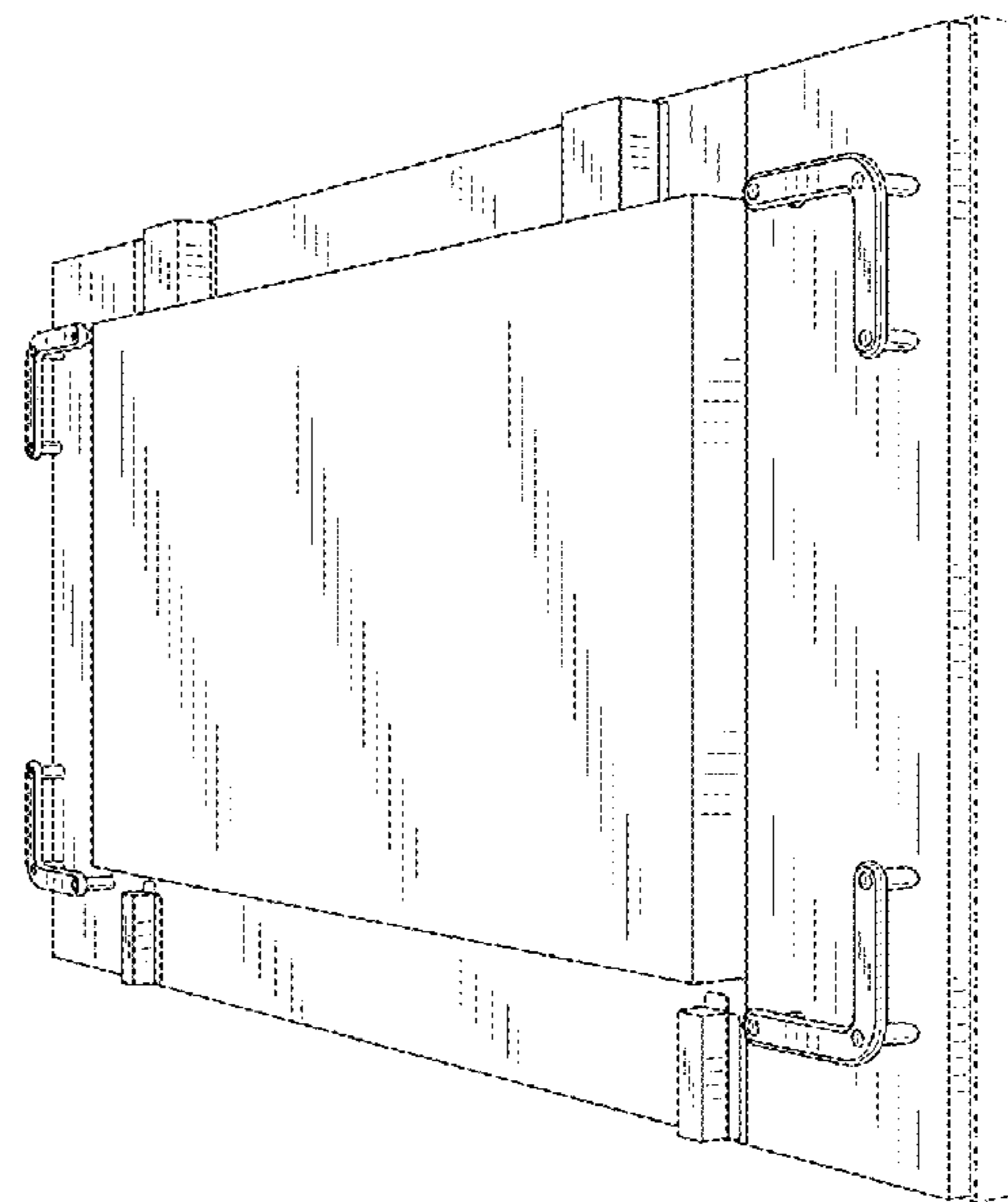
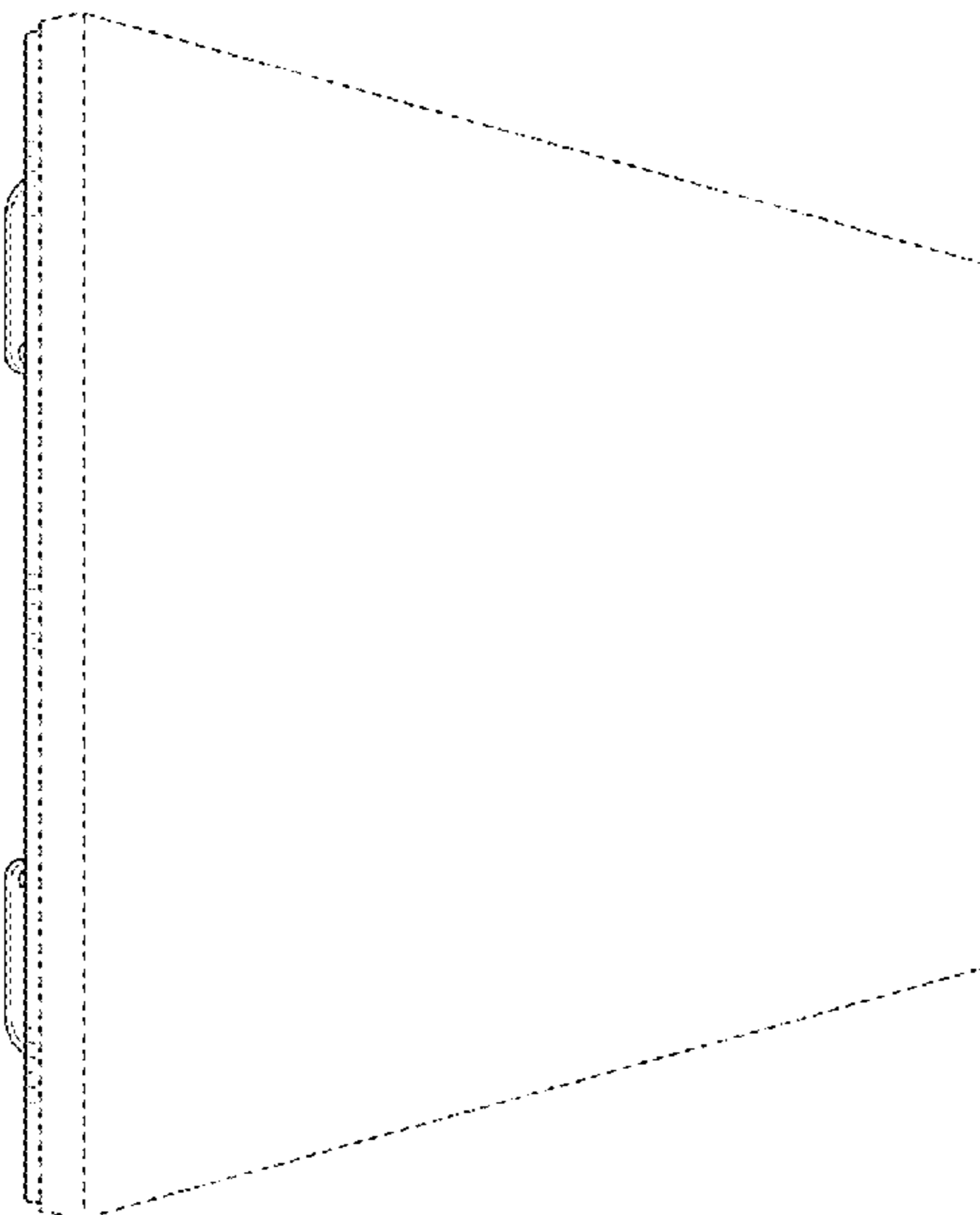


FIG. 1

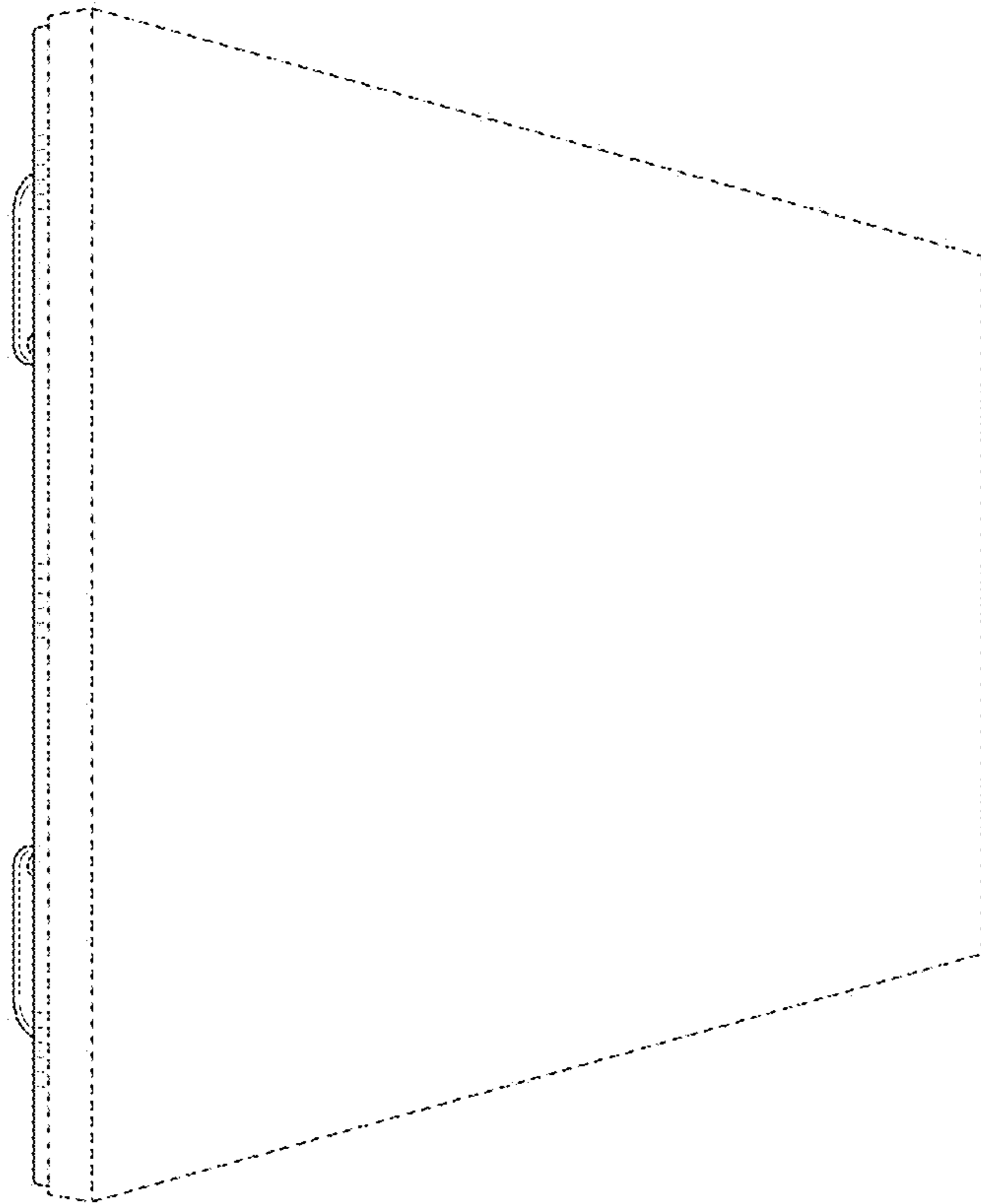


FIG. 2

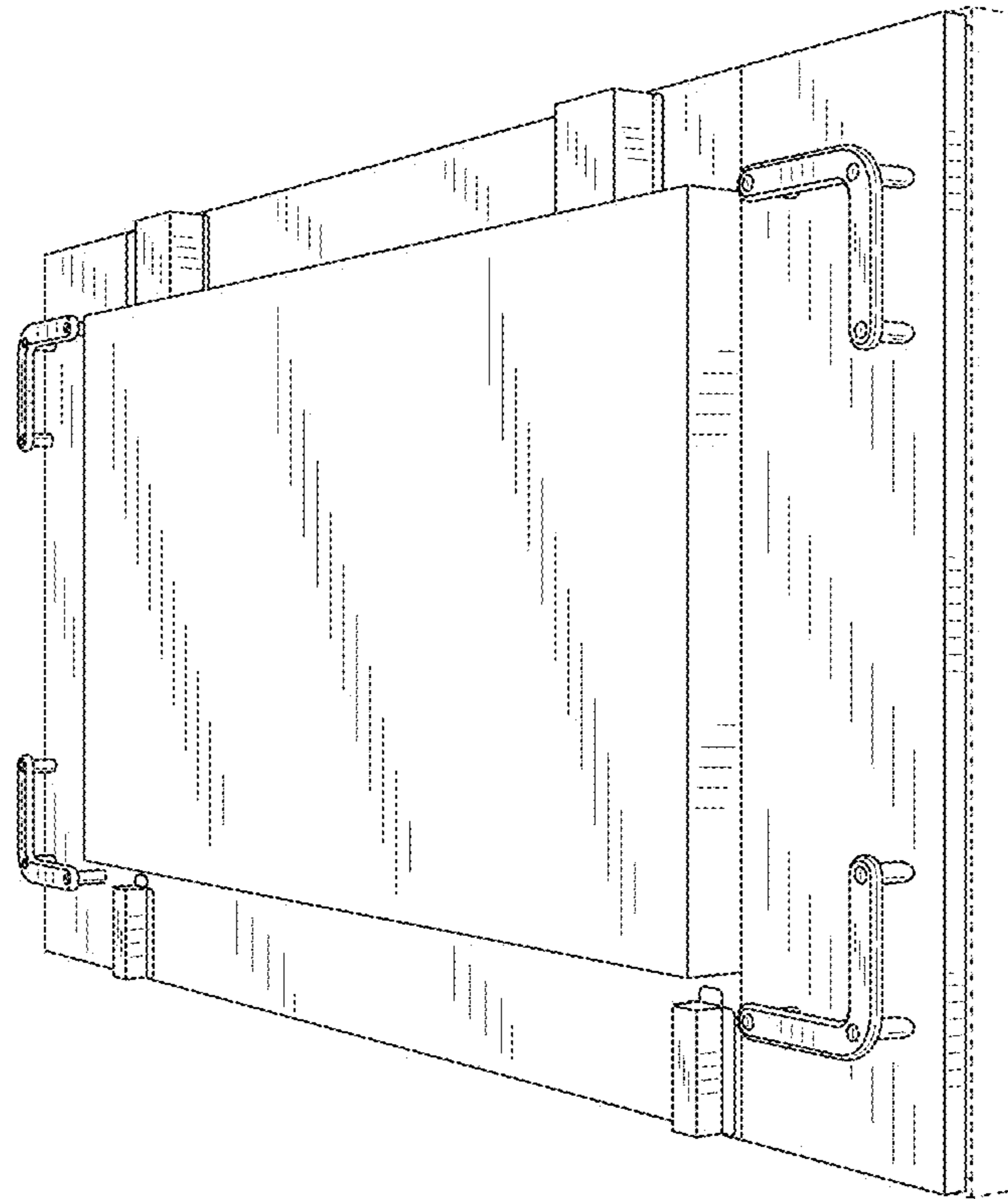


FIG. 3



FIG. 4

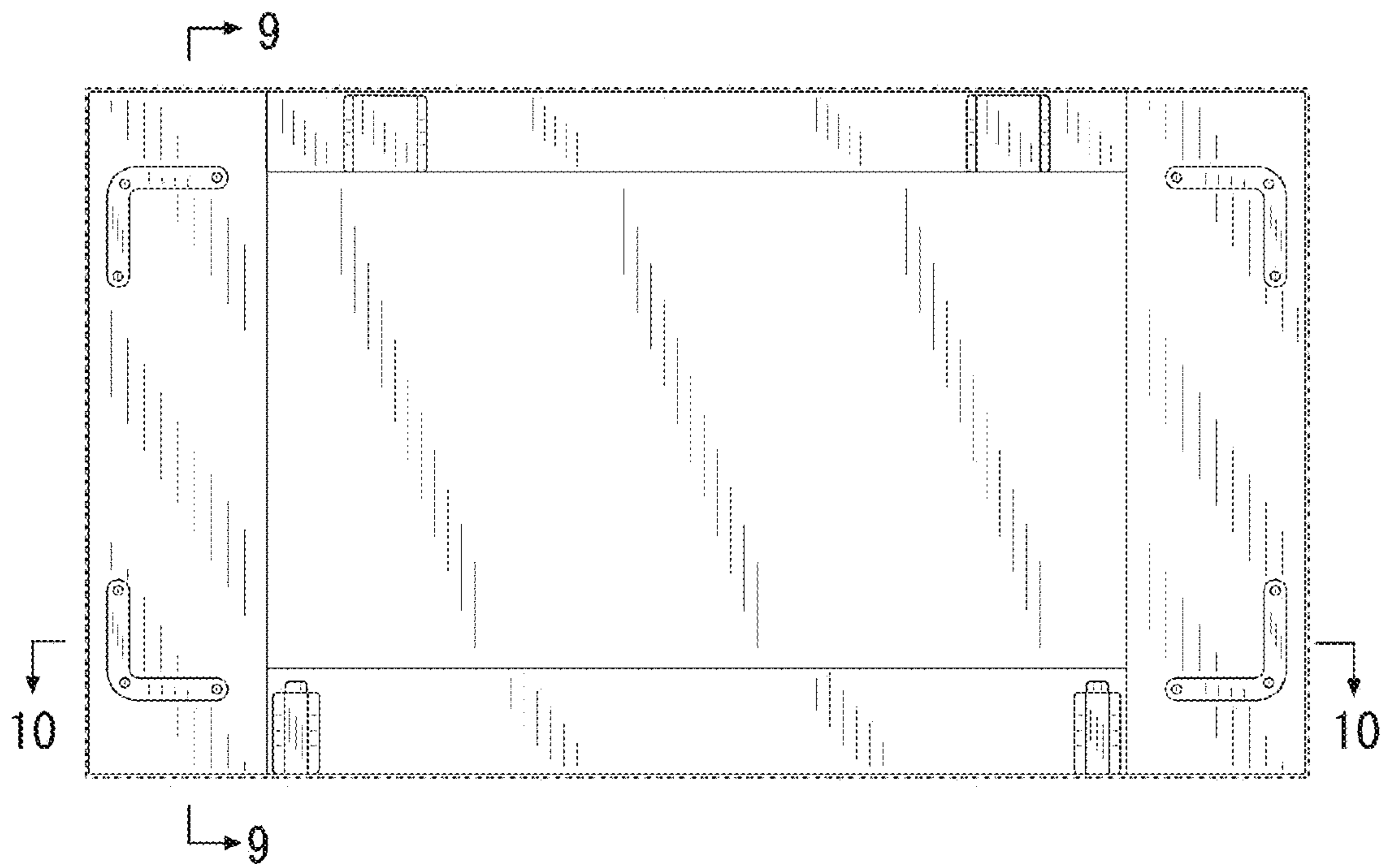


FIG. 5

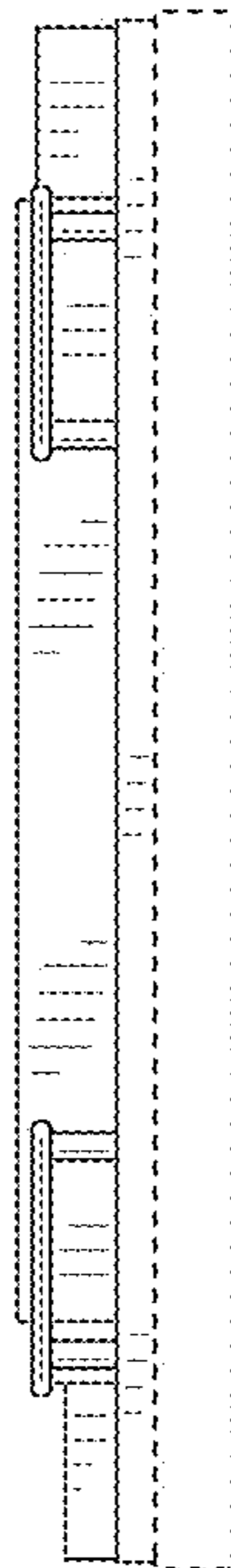


FIG. 6

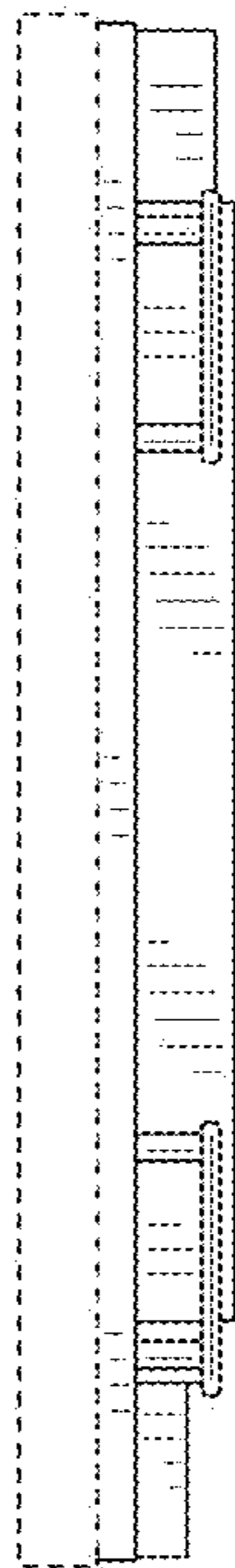


FIG. 7

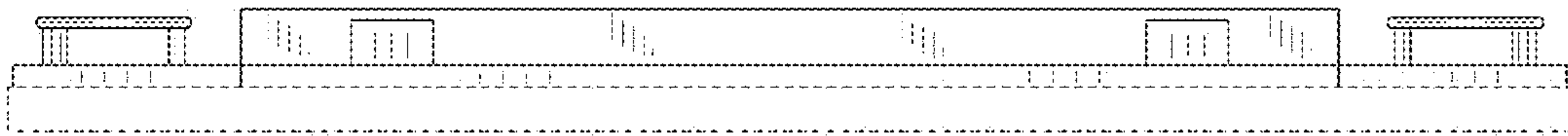


FIG. 8

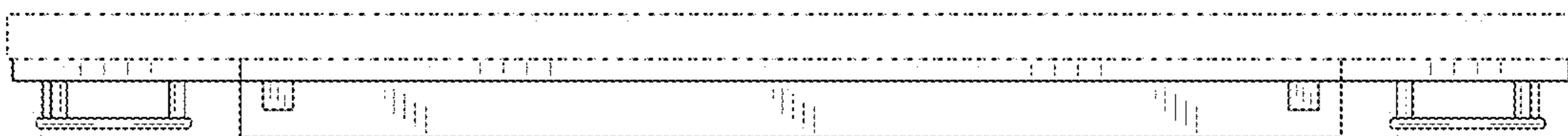


FIG. 9

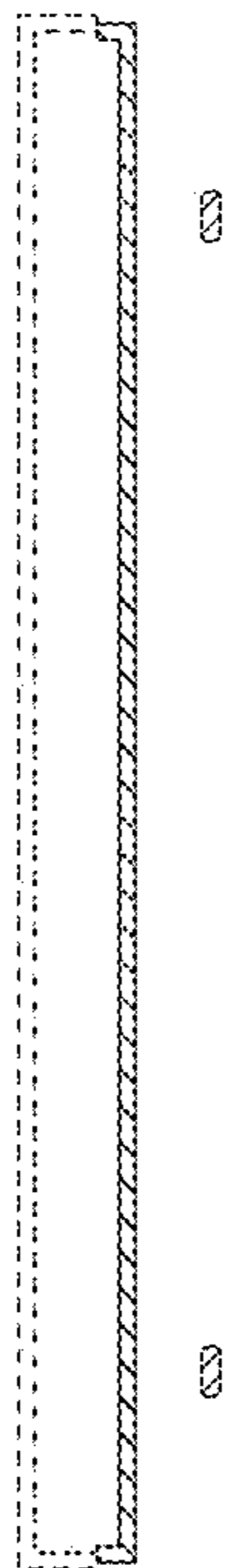


FIG. 10

